



AKM

Synchronous Servomotors

Product Manual
Edition 06/2008



Keep all manuals as a product component during the life span of the product. Pass all manuals to future users / owners of the product.

File akm_e.***



Choose your Motor:

Type	Flange	Standstill torque	Page
AKM1	40	0,18..0,41	⇒ 28
AKM2	58	0,48..1,42	⇒ 30
AKM3	70	1,15..2,88	⇒ 32
AKM4	84	1,95..6	⇒ 34
AKM5	108	4,7..14,4	⇒ 36
AKM6	138	11,9..25	⇒ 38
AKM7	188	29,4..53	⇒ 40

0 0,5 1 5 10 20 30 40 50 70 Nm

Already published editions

Edition	Comments
03 / 2004	First edition
12 / 2004	Performance curves corrected, polenumbers, gearhead mounts, several corrections
09 / 2005	Centering AKM7, chapter 1, several corrections, BISS interface, protection class
05 / 2006	Performance curves deleted, order numbers cables, new label
09 / 2006	New design and structure, legend for label, gearbox reference list new
10 / 2006	Winding resistance Ph-Ph corrected
01 / 2007	Encoder, ComCoder, BISS wiring diagrams updated (standardized)
05 / 2007	Several corrections
07 / 2007	EC Declaration of Conformity
09 / 2007	Cable data, label
10 / 2007	Length AKM6 with Encoder/Brake updated, vibration class, target group, use as directed
06 / 2008	Length AKM3 with Brake updated

Technical changes to improve the performance of the equipment may be made without prior notice!

Printed in the Federal Republic of Germany

All rights reserved. No part of this work may be reproduced in any form (by printing, photocopying, microfilm or any other method) or stored, processed, copied or distributed by electronic means without the written permission of Danaher Motion.

	Page
1 General	
1.1 About this manual	5
1.2 Target group	5
1.3 Symbols used	5
1.4 Abbreviations used	5
2 Safety	
2.1 Safety Notes	6
2.2 Use as directed	7
2.3 Prohibited use	7
3 Standards	
3.1 EC Declaration of Conformity	8
4 Handling	
4.1 Transport	9
4.2 Packaging	9
4.3 Storage	9
4.4 Maintenance / Cleaning	9
4.5 Disposal	9
5 Package	
5.1 Delivery package	10
5.2 Nameplate	10
5.3 Model number description	11
6 Technical Description	
6.1 Design of the motors	12
6.2 General technical data	12
6.3 Standard features	13
6.3.1 Style	13
6.3.2 Shaft end, A-side	13
6.3.3 Flange	13
6.3.4 Protection class	13
6.3.5 Protective device	13
6.3.6 Insulation material class	13
6.3.7 Vibration class	14
6.3.8 Connection method	14
6.3.9 Feedback unit	14
6.3.10 Holding brake	14
6.3.11 Pole numbers	14
6.4 Options	15
6.5 Selection criteria	15
7 Mechanical Installation	
7.1 Important Notes	16
8 Electrical Installation	
8.1 Safety notes	17
8.2 Guide for electrical installation	18
8.3 Connection of the motors with preassembled cables	18
8.4 Wiring diagrams	19
8.4.1 Wiring diagram for motors with Resolver	19
8.4.2 Wiring diagram for motors with Encoder	20
8.4.3 Wiring diagram for motors with SFD	21
8.4.4 Wiring diagram for motors with ComCoder	22
8.4.5 Wiring diagram for motors with BISS	23
9 Setup	
9.1 Important notes	25
9.2 Guide for setup	25
9.3 Trouble Shooting	26

10	Technical Data	
10.1	Definition of Terms.....	27
10.2	AKM1.....	28
10.3	AKM2.....	30
10.4	AKM3.....	32
10.5	AKM4.....	34
10.6	AKM5.....	36
10.7	AKM6.....	38
10.8	AKM7.....	40
11	Appendix	
11.1	Assignment of RediMount gearhead mounts.....	43
11.2	Assignment of Micron Gearheads to RediMount mounts.....	44
11.3	Index.....	45

1 General

1.1 About this manual

This manual describes the AKM series of synchronous servomotors (standard version). Among other things, you find information about:

The motors are operated in drive systems together with Danaher Motion servo amplifiers. Please observe the entire system documentation, consisting of:

- Product manual for the servo amplifier
- Installation and setup instructions for any expansion card which is connected
- Online help of the amplifier's setup software
- Accessories manual
- Technical description of the AKM series of motors

1.2 Target group

This manual addresses personnel with the following qualifications:

- Transport : only by personnel with knowledge of handling electrostatically sensitive components.
- Mech. Installation : only by mechanically qualified personnel.
- Electr. Installation : only by electrically qualified personnel.
- Setup : only by qualified personnel with extensive knowledge of electrical engineering and drive technology

The qualified personnel must know and observe the following standards:

- IEC 60364 or DIN VDE 0100
- IEC 60664 or DIN VDE 0110
- national accident prevention regulations or BGV A3



The operator must ensure that the safety instructions in this manual are followed. The operator must ensure that all personnel responsible for working with the motor have read and understood the product manual.

1.3 Symbols used

	Danger to personnel from electricity and its effects		General warning general instruction mechanical hazard
⇒	see page/chapter (cross reference)	●	special emphasis

1.4 Abbreviations used

see chapter 10.1 "Definition of Terms".

2 Safety

2.1 Safety Notes



- Only properly qualified personnel are permitted to perform such tasks as transport, assembly, setup and maintenance. Properly qualified personnel are persons who are familiar with the transport, assembly, installation, setup and operation of motors, and who have the appropriate qualifications for their jobs. The qualified personnel must know and observe the following standards and regulations:

IEC 60364 or DIN VDE 0100

IEC 60664 or DIN VDE 0110

national regulations for safety / accident prevention or BGV A3

- Read the available documentation before assembly and setup. Incorrect handling of the motors can result in injury and damage to persons and machinery. Keep strictly to the technical data and the information on the connection requirements (nameplate and documentation).



- The manufacturer of the machine must generate a hazard analysis for the machine, and take appropriate measures to ensure that unforeseen movements cannot cause injury or damage to any person or property.
- It is vital that you ensure that the motor housing is safely earthed to the PE(protective earth) busbar in the switch cabinet. Electrical safety is impossible without a low-resistance earth connection.
- Do not unplug any connectors during operation. This creates the danger of death, severe injury, or extensive material damage.
- Power connections may be live even when the motor is not rotating. Never disconnect the power connections of the motor while the equipment is energised. This can cause flashovers with resulting injuries to persons and damage to the contacts.
- After disconnecting the servo amplifier from the supply voltage, wait at least five minutes before touching any components which are normally live (e.g. contacts, screw connections) or opening any connections. The capacitors in the servo amplifier can still carry a dangerous voltage up to five minutes after switching off the supply voltages. To be quite safe, measure the DC-link voltage and wait until the voltage has fallen below 40V.
- The surfaces of the motors can be very hot in operation, according to their protection category. The surface temperature can exceed 100°C. Measure the temperature, and wait until the motor has cooled down below 40°C before touching it.
- Remove any fitted key (if present) from the shaft before letting the motor run independently, to avoid the dangerous results of the key being thrown out by centrifugal forces.

2.2 Use as directed

- The AKM series of synchronous servomotors is designed especially for drives for industrial robots, machine tools, textile and packing machinery and similar with high requirements for dynamics.
- The user is **only** permitted to operate the motors under the ambient conditions which are defined in this documentation.
- The AKM series of motors is **exclusively** intended to be driven by servo amplifiers under speed and / or torque control.
- The motors are installed as components in electrical apparatus or machines and can only be commissioned and put into operation as integral components of such apparatus or machines.
- The thermal contact which is integrated in the motor windings must be observed and evaluated.
- The conformity of the servo-system to the standards mentioned in the EC Declaration of Conformity on page 8 is only guaranteed when the components (servo amplifier, motor, cables etc.) that are used have been supplied by us.

2.3 Prohibited use

- The use of the motors in the following environments is prohibited:
 - potentially explosive areas
 - environments with corrosive and/or electrically conductive acids, alkaline solutions, oils, vapours, dusts
 - directly on supply networks
- Commissioning the motor is prohibited if the machine in which it was installed
 - does not meet the requirements of the EC Machinery Directive
 - does not comply with the EMC Directive
 - does not comply with the Low Voltage Directive

3 Standards

3.1 EC Declaration of Conformity

We, the company

Danaher Motion GmbH
Wacholderstrasse 40-42
40489 Düsseldorf

hereby in sole responsibility declare the conformity of the product series

Motor series AKM
(Types AKM1, AKM2, AKM3, AKM4, AKM5, AKM6, AKM7)

with the following standards:

- EC Directive 2004/108/EC
Electromagnetic compatibility
Used standard EN61800-3
- EC Directive 2006/95/EC
Electrical devices for use in special voltage limits
Used standard EN61800-5-1

Year of EC-Declaration 2003

Issued by: Business Unit Motors Europe
Bernhard Wührl
Weiterstadt, 25.05.2007

Legally valid signature



This Declaration does not contain any assurance of properties in the meaning of product liability. The notes on safety and protection in the operating instructions must always be observed. The above-mentioned company has the following technical documentation for examination:

- Proper operating instructions
- Diagrams (for EU authority only)
- Test certificates (for EU authority only)
- Other technical documentation (for EU authority only)

4 Handling

4.1 Transport

- Climate category 2K3 to EN 50178
- Transport temperature -25...+70°C, max. 20K/hr change
- Transport humidity rel. humidity 5% - 95% , no condensation
- Only by qualified personnel in the manufacturer's original recyclable packaging
- Avoid shocks, especially to the shaft end
- If the packaging is damaged, check the motor for visible damage. Inform the carrier and, if appropriate, the manufacturer.

4.2 Packaging

- Cardboard packing with Instapak[®] foam cushion.
- You can return the plastic portion to the supplier or a certified disposal company (see "Disposal").

Motor type	Carton	Max.stacking height	Motor type	Carton	Max.stacking height
AKM1	X	10	AKM5	X	5
AKM2	X	10	AKM6	X	1
AKM3	X	6	AKM7	X	1
AKM4	X	6			

4.3 Storage

- Climate category 1K4 to EN 50178
- Storage temperature - 25...+55°C, max. variation 20K/hr.
- Humidity rel. humidity 5% - 95%, no condensation
- Store only in the manufacturer's original recyclable packaging
- Max. stacking height see table under Packaging
- Storage time unlimited

4.4 Maintenance / Cleaning

- Maintenance and cleaning only by qualified personnel
- The ball bearings have a grease packing which is adequate for 20,000 hours of operation under normal conditions. The bearings should be replaced after 20,000 hours of operation under rated conditions (by the manufacturer).
- Check the motor for bearing noise every 2500 operating hours, respectively each year. If any noises are heard, then the operation of the motor must stop, the bearings must be replaced (by the manufacturer).
- Opening the motor invalidates the warranty.
- If the housing is dirty, clean housing with Isopropanol or similar, **do not immerse or spray**

4.5 Disposal

In accordance to the WEEE-2002/96/EG-Guidelines we take old devices and accessories back for professional disposal, if the transport costs are taken over by the sender. Send the devices to:

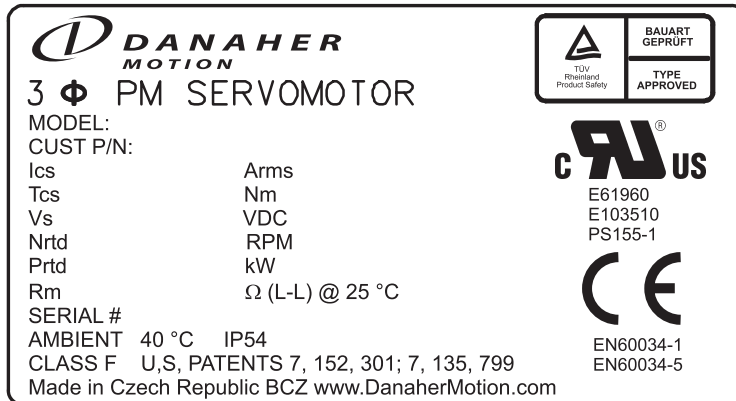
Danaher Motion GmbH
 Robert-Bosch-Straße 10
 D-64331 Weiterstadt
 Germany

5 Package

5.1 Delivery package

- Motor from the AKM series
- Technical description on CDROM
- Motor package leaflet (short info)

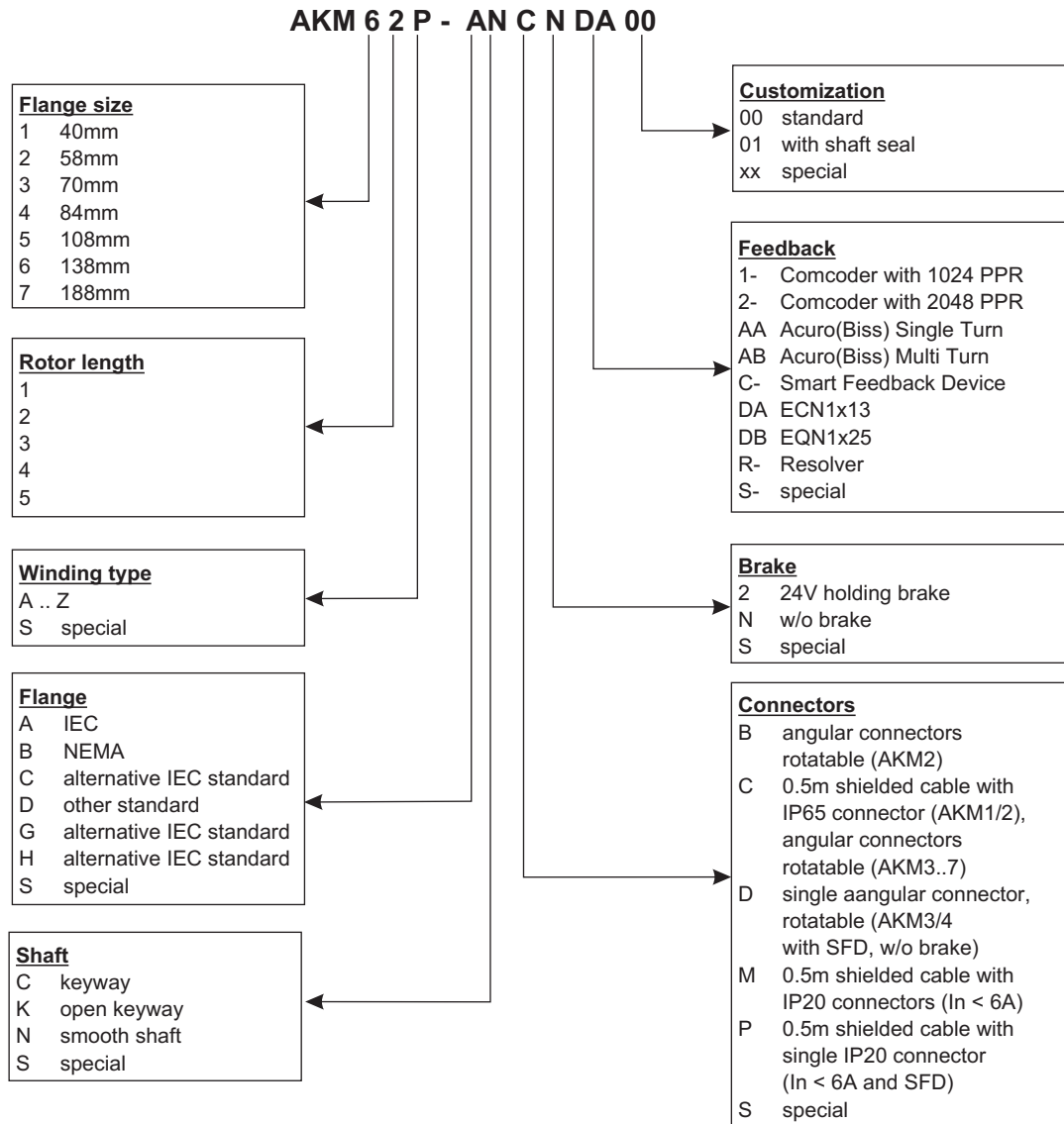
5.2 Nameplate



Legend:

MODEL	motor type
CUST P/N	customer part no.
Ics	I_{0rms} (standstill current)
Tcs	M_0 (standstill torque)
Vs	U_n (DC bus link voltage)
Nrtd	n_n (rated speed @ U_n)
Prtd	P_n (rated power)
Rm	R25 (winding resistance @ 25°)
SERIAL	serial no.
AMBIENT	max. ambient temp.

5.3 Model number description



6 Technical Description

6.1 Design of the motors

Synchronous servomotors in the AKM series are brushless DC motors for demanding servo applications. When combined with our digital servo amplifiers they are especially suited for positioning tasks in industrial robots, machine tools, transfer lines etc. With high requirements for dynamics and stability.

The servomotors have permanent magnets in the rotor. The rare earth neodymium -iron-boron magnetic material is an important factor in making it possible to drive these motors in a highly dynamic fashion. A three-phase winding which is driven by the servo amplifier is integrated into the stator. The motor does not have any brushes since commutation is performed electronically by the servo amplifier

The temperature of the winding is monitored by temperature sensors in the stator windings and is signalled via an electrically isolated thermistor (PTC, $\leq 550\Omega$ / $\geq 1330\Omega$).

A **resolver** is built into the motors as standard feedback element. The servo amplifiers evaluate the resolver position and supply sinusoidal currents to the motors.

The alternatively offered feedback systems partly cause a change of the motor length and cannot be retrofitted.

The motors can be delivered with or without a built-in holding brake. Retrofitting of the brake is not possible.

The motors are enamelled in matt black (RAL 9005). This finish is not resistant against solvents (e.g. trichlorethylene, nitro-thinners, or similar).

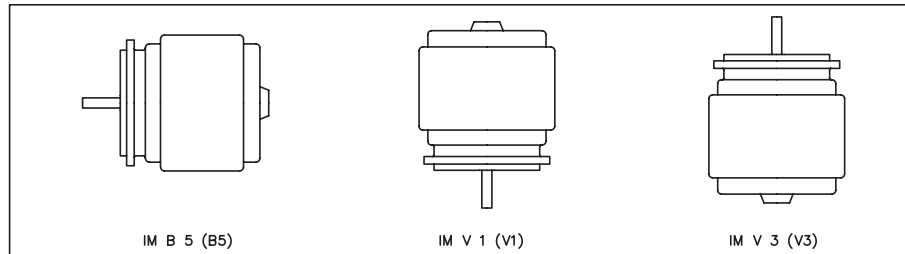
6.2 General technical data

Climate category	3K3 to EN 50178
Ambient temperature (at rated values)	5...+40°C for site altitude up to 1000m amsl It is vital to consult our applications department for ambient temperatures above 40°C and encapsulated mounting of the motors.
Permissible humidity (at rated values)	95% rel. humidity, no condensation
Power derating (currents and torques)	1% / K in range 40°C...50°C up to 1000m amsl for site altitude above 1000m amsl and 40°C 6% up to 2000m amsl 17% up to 3000m amsl 30% up to 4000m amsl 55% up to 5000m amsl No derating for site altitudes above 1000m amsl with temperature reduction of 10K / 1000m
Ball-bearing life	≥ 20.000 operating hours
Technical data	\Rightarrow p.27
Storage data	\Rightarrow p.9

6.3 Standard features

6.3.1 Style

The basic style for the AKM synchronous motors is style IM B5 according to DIN EN 60034-7. The permitted mounting positions may be read from the technical data of the motor series.



6.3.2 Shaft end, A-side

Power transmission is made through the cylindrical shaft end A, fit k6 (AKM1: h7) to DIN 748, with a locking thread but **without a fitted-keyway**.

Bearing life is calculated with 20.000 operating hours.

Radial force

If the motors drive via pinions or toothed belts, then high radial forces will occur. The permissible values at the end of the shaft may be read from the diagrams in chapter 10. The maximum values at rated speed you will find at the technical data. Power take-off from the middle of the free end of the shaft allows a 10% increase in F_R .

Axial force

When assembling pinions or wheels to the axis and use of e.g. angular gearheads axial forces arise. The maximum values at rated speed you will find at the technical data.

Coupling

Double-coned collets have proved to be ideal zero-backlash coupling devices, combined, if required, with metal bellows couplings.

6.3.3 Flange

Flange dimensions to IEC standard, fit j6 (AKM1: h7), accuracy according to DIN 42955.

Tolerance class: **N**

6.3.4 Protection class

Standard version	IP65
Standard shaft bushing	IP54
Shaft bushing with shaft-sealing ring	IP67

6.3.5 Protective device

The standard version of each motor is fitted with an electrically isolated PTC (rated temperature $155^{\circ}\text{C} \pm 5\%$). The PTC does **not** provide any protection against short, heavy overloading. Provided that our preassembled resolver cable is used, the PTC is integrated into the monitoring system of the digital servo amplifiers.

6.3.6 Insulation material class

The motors come up to insulation material class F according to IEC 60085.

6.3.7 Vibration class

The motors are made to vibration class A according to DIN EN 60034-14. For a speed range of 600-3600 rpm and a shaft centre between 56-132mm, this means that the actual value of the permitted vibration severity is 1.6mm/s.

Velocity [rpm]	max. rel. Vibration Displacement[μm]	max. Run-out [μm]
≤ 1800	90	23
> 1800	65	16

6.3.8 Connection method

The motors are equipped with angular connectors (AKM1: straight connectors at cable ends) for power supply and feedback signals .

The mating connectors are not part of the delivery package. We can supply preassembled resolver and power cables. On page 18 you will find notes on the cable materials.

6.3.9 Feedback unit

Standard	Resolver	Two-pole hollow-shaft
Option	EnDat Encoder, Single-Turn	AKM2-AKM4: ECN 1113, AKM5-AKM7: ECN1313
Option	EnDat Encoder, Multi-Turn	AKM2-AKM4: EQN 1125, AKM5-AKM7: EQN1325
Option	ComCoder	Incremental encoder with commutation, resolution 500-10000 lines
Option	SFD	fully digital resolver interface
Option	BiSS Encoder, Single-/Multi-Turn	AKM2-AKM4: AD36, AKM5-AKM7: AD58

The motor length depends on the mounted feedback unit. Retrofitting is not possible.

6.3.10 Holding brake

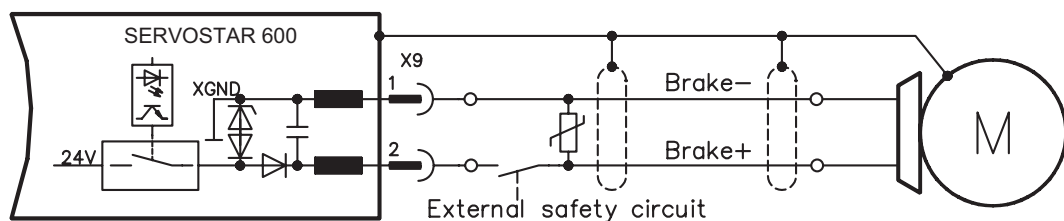
The AKM2-AKM7 motors are optionally available with a holding brake. A spring applied brake (24V DC) is integrated into the motors. When this brake is de-energized it blocks the rotor. **The holding brakes are designed as standstill brakes** and are not suited for repeated operational braking. If the brake is released then the rotor can be moved without a remanent torque. The motor length increases when a holding brake is mounted.

The holding brake can be controlled directly by the servo amplifier (no personal safety !), the winding is suppressed in the servo amplifier — additional circuitry is not required.

If the holding brake is not controlled directly by the servo amplifier, an additional wiring (e.g. varistor) is required. Consult our applications department beforehand.

A personal safe operation of the holding brake requires an additional contact (normally opened) in the braking circuit and an anti-surge-device (e.g. Varistor) for the brake.

Wiring example for SERVOSTAR 600:



6.3.11 Pole numbers

Motor	Poles	Motor	Poles	Motor	Poles	Motor	Poles
AKM1	6	AKM3	8	AKM5	10	AKM7	10
AKM2	6	AKM4	10	AKM6	10		

6.4 Options

- **Holding brake**
Built-in holding brake.
Motor length increases by the holding brake.
- **Radial shaft-sealing rings**
A radial shaft-sealing ring can be supplied at extra charge to seal against oil mist and oil spray. This increases the protection rating of the shaft bushing to IP67.
- **Keyway**
The motors are available with keyway and key inserted according to DIN6885
The shaft is balanced with a short (half) key.
- **EnDat, BISS, ComCoder, SFD**
Another feedback system is mounted instead of the resolver. The motor length can increase by the alternative feedback.

With exception of the radial shaft seal the options **cannot** be retrofitted. Options such as radial shaft seal, holding brake, EnDat or Comcoder can lead to a reduction of rated data.

6.5 Selection criteria

The three-phase servomotors are designed to operate with SERVOSTAR servo amplifiers. Together, both units form a closed speed or torque control loop.

The most important selection criteria are:

- | | | | |
|---|--|-----------|----------------------|
| — | Standstill torque | M_0 | [Nm] |
| — | Rated speed | n_n | [min ⁻¹] |
| — | Moment of inertia of motor and load | J | [kgcm ²] |
| — | Effective torque (calculated) | M_{rms} | [Nm] |

When calculating the motors and servo amplifiers which are required, take account of the static load **and** the dynamic load (acceleration/braking). Collected formulae and examples of the calculations are available from our applications department.

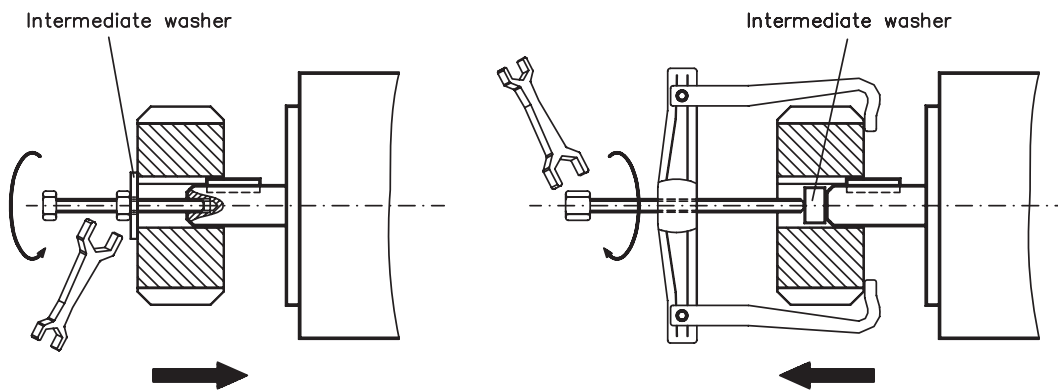
7 Mechanical Installation

7.1 Important Notes



Only qualified staff with knowledge of mechanical engineering are permitted to assemble the motor.

- Protect the motor from unacceptable stresses. Take care, especially during transport and handling, that components are not bent and that insulation clearances are not altered.
- The site must be free of conductive and aggressive material. For V3-mounting (shaft end upwards), make sure that no liquids can enter the bearings. If an encapsulated assembly is required, please consult our applications department beforehand.
- Ensure an unhindered ventilation of the motors and observe the permissible ambient and flange temperatures. For ambient temperatures above 40°C please consult our applications department beforehand.
- Servomotors are precision equipment. The flange and shaft are especially vulnerable during storage and assembly — so avoid brute force. Precision requires delicacy. It is important to use the locking thread which is provided to tighten up couplings, gear wheels or pulley wheels and warm up the drive components, where possible. Blows or the use of force will lead to damage to the bearings and the shaft.



- Wherever possible, use only backlash-free, frictionally-locking collets or couplings. Ensure correct alignment of the couplings. A displacement will cause unacceptable vibration and the destruction of the bearings and the coupling.
- For toothed belts, it is vital to observe the permissible radial forces. An excessive radial load on the shaft will significantly shorten the life of the motor.
- Avoid axial loads on the motor shaft, as far as possible. Axial loading significantly shortens the life of the motor.
- In all cases, do not create a mechanically constrained motor shaft mounting by using a rigid coupling with additional external bearings (e.g. in a gearbox).
- Take note of the no. of motor poles and the no. of resolver poles, and ensure that the correct setting is made in the servo amplifier which is used. An incorrect setting can lead to the destruction of the motor, especially with small motors.
- Check the compliance to the permitted radial and axial forces F_R and F_A . When you use a toothed belt drive, the **minimal** permitted diameter of the pinion e.g. follows from the equation: $d_{min} \geq \frac{M_0}{F_R} \times 2$.

8 Electrical Installation

8.1 Safety notes



Only staff qualified and trained in electrical engineering are allowed to wire up the motor.

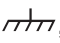
Always make sure that the motors are de-energized during assembly and wiring, i.e. No voltage may be switched on for any piece of equipment which is to be connected. Ensure that the switch cabinet remains turned off (barrier, warning signs etc.). The individual voltages will only be turned on again during setup.

Never undo the electrical connections to the motor while it is energised. A dangerous voltage, resulting from residual charge, can be still present on the capacitors up to 5 minutes after switch-off of the mains supply.

Measure the DC-link voltage and wait until it has fallen below 40V.

Even when the motor is not rotating, control and power leads may be live.



The ground symbol , which you will find in the wiring diagrams, indicates that you must provide an electrical connection, with as large a surface area as possible, between the unit indicated and the mounting plate in the switch cabinet. This connection is to suppress HF interference and must not be confused with the PE (protective earth) symbol (protective measure to EN 60204).

To wire up the motor, use the wiring diagrams in the Installation and Setup Instructions of the servo amplifier which is used.

8.2 Guide for electrical installation

- Check that the servo amplifier and motor match each other. Compare the rated voltage and rated current of the unit. Carry out the wiring according to the wiring diagram in the product manual of the servo amplifier. The connections to the motor are shown on pages 19f. Notes on the connection methods can be found on page 18.
- Ensure that there is proper earthing of the servo amplifier and the motor. Use correct earthing and EMC-shielding according to the product manual of the servo amplifier which is used. Earth the mounting plate and motor casing. For connection methods see chapter 8.3.
- Route the power and control cables as separately as possible from one another (separation > 20 cm). This will improve the immunity of the system to electromagnetic interference. If a motor power cable is used which includes integral brake control leads, then these brake control leads must be shielded. The shielding must be connected at both ends (see product manual of the servo amplifier).
- Cabling:
 - Route power cables as separately as possible from control cables
 - Connect up the resolver or encoder.
 - Connect the motor cables, install motor chokes close to the servo amplifier
 - Connect shields to shielding terminals or EMC connectors at both ends
 - Connect the holding brake, if used
 - Connect shielding at both ends.
- Install all cables carrying a heavy current with an adequate cross-section, as per EN 60204. The recommended cross-section can be found in the Technical data.



In case of long motor cables (>25m) and dependent on the type of the used servo amplifier a motor choke (3YL) must be switched into the motor cable (see product manual of the servo amplifier and accessory manual).

- Connect up all shielding via a wide surface-area contact (low impedance) and metallized connector housings or EMC-cable glands.

8.3 Connection of the motors with preassembled cables



- Carry out the wiring in accordance with the valid standards and regulations.
- Only use our preassembled shielded cables for the resolver and power connections.
- Connect up the shielding according to the wiring diagrams in the product manual for the servo amplifier.
- Incorrectly installed shielding inevitably cables to EMC interference.
- The maximum cable length is defined in the product manual of the used servo amplifier.

Requirements to cable material:

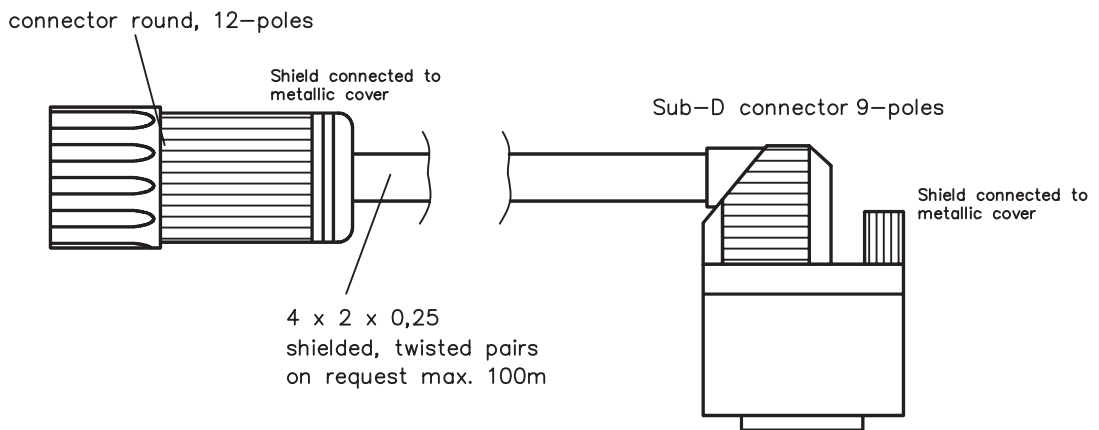
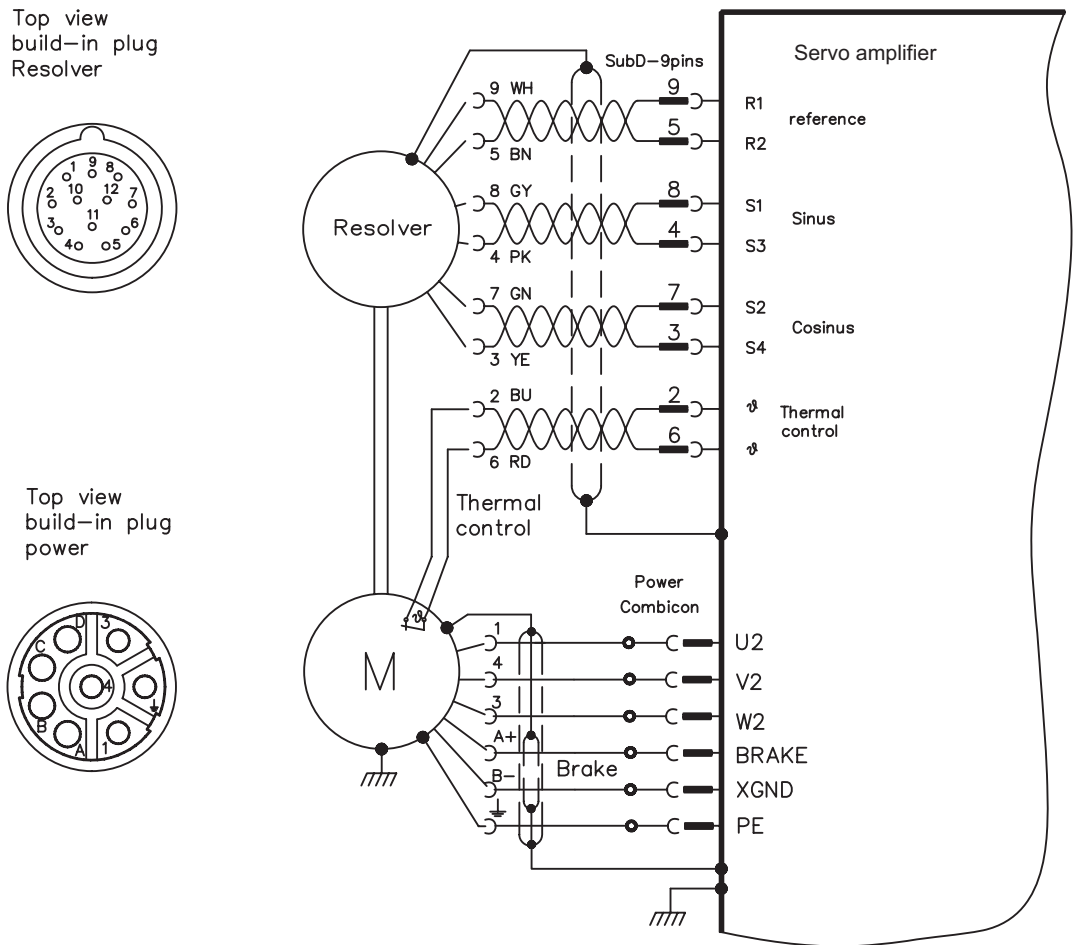
Capacity

Motor cable	less than 150 pF/m
Resolver cable	less than 120 pF/m

For a detailed description of preassembled cables, please refer to the accessories manual.

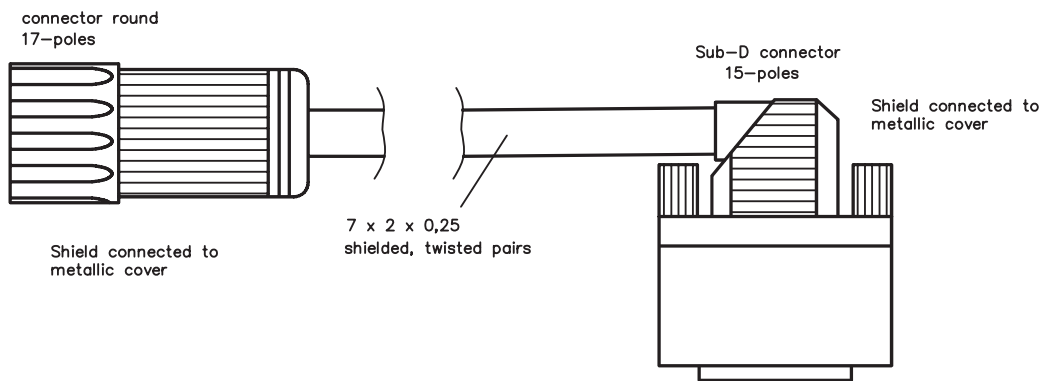
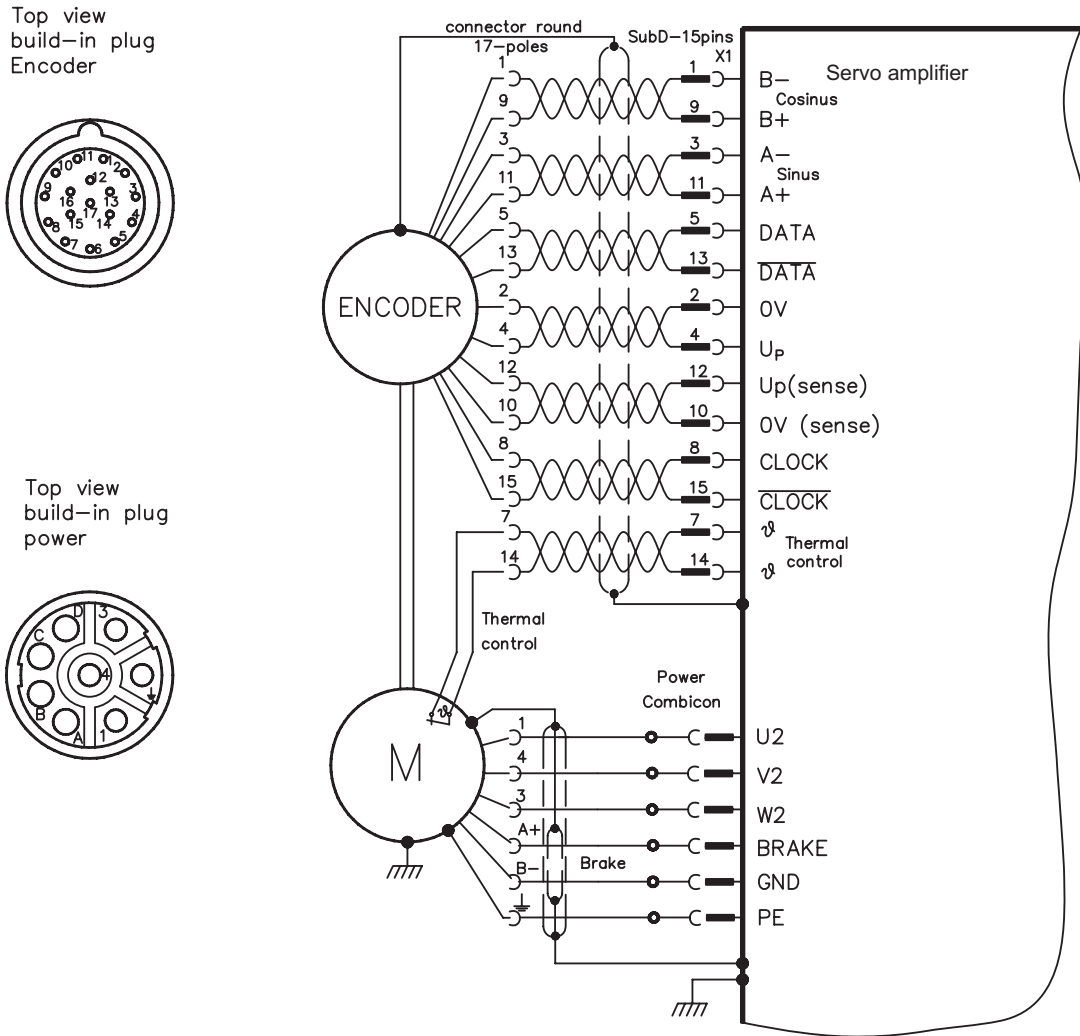
8.4 Wiring diagrams

8.4.1 Wiring diagram for motors with Resolver

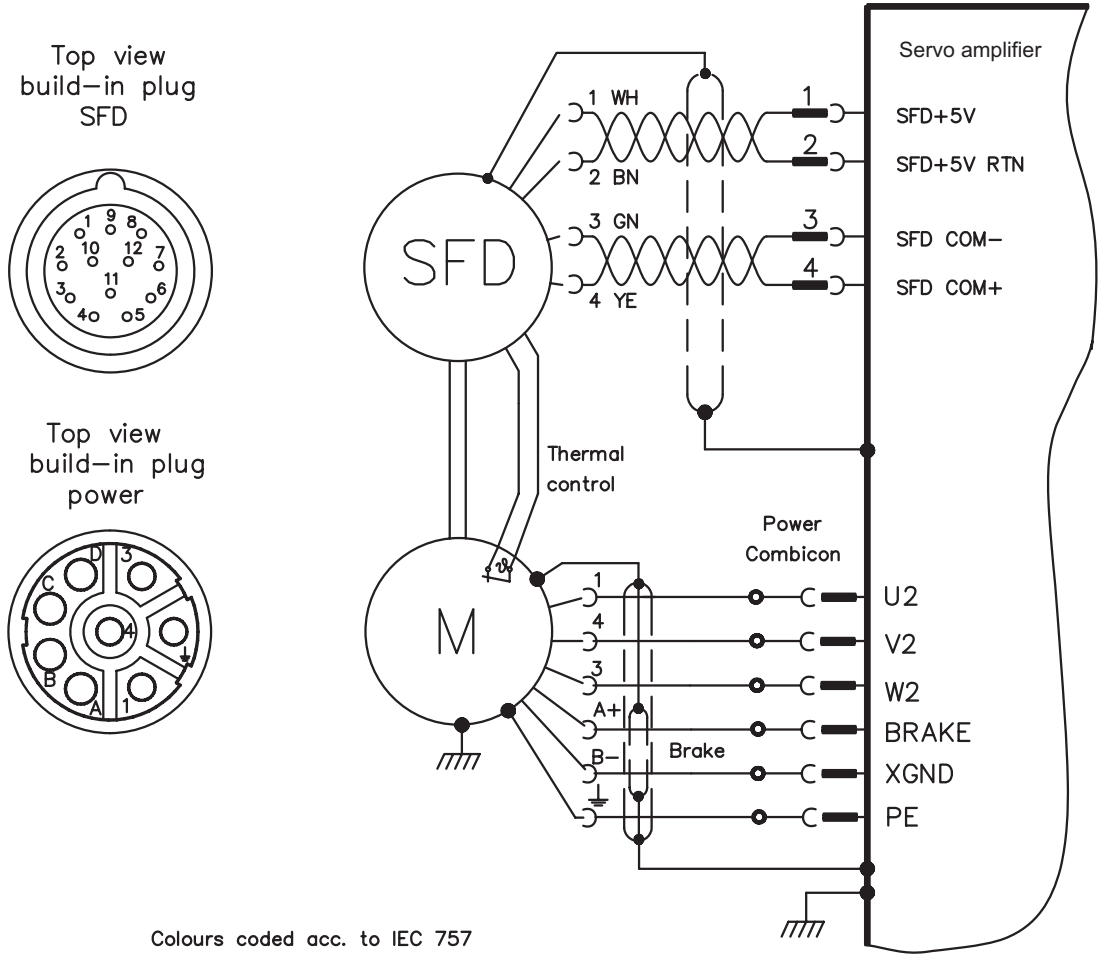


Colour coding acc. to IEC 757

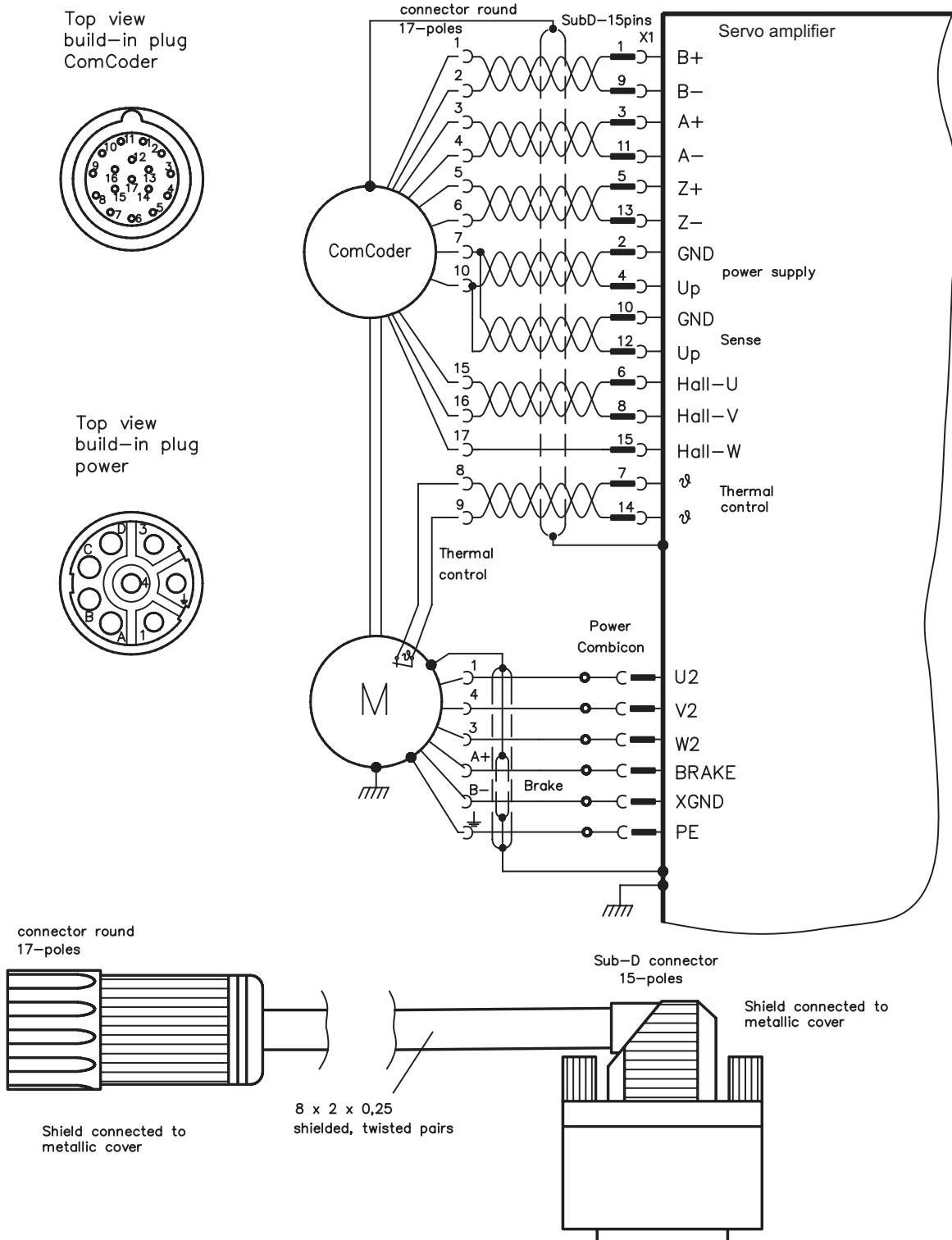
8.4.2 Wiring diagram for motors with Encoder



8.4.3 Wiring diagram for motors with SFD

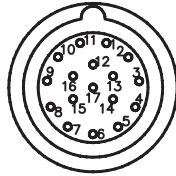


8.4.4 Wiring diagram for motors with ComCoder

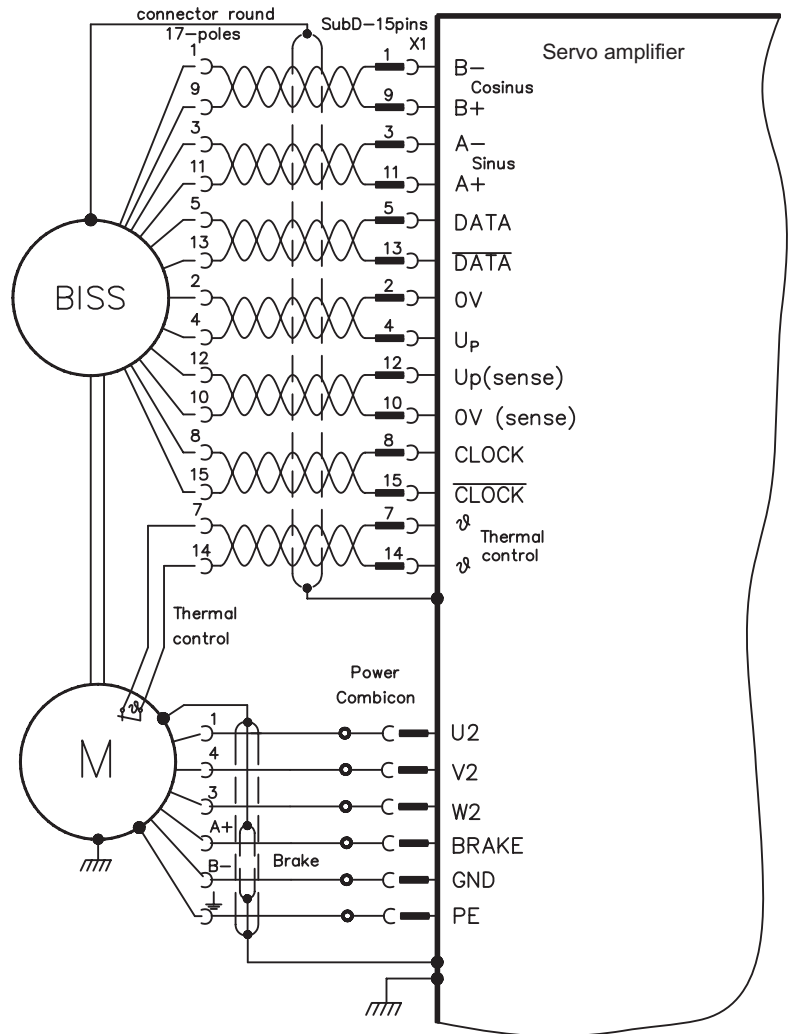
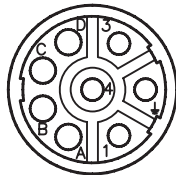


8.4.5 Wiring diagram for motors with BISS

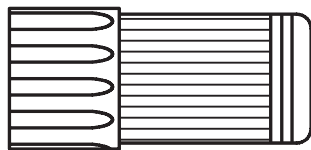
Top view
build-in plug
Encoder



Top view
build-in plug
power



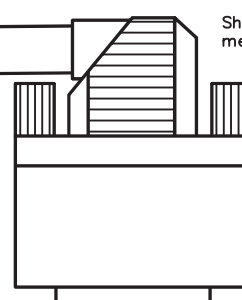
connector round
17-poles



Shield connected to
metallic cover

7 x 2 x 0,25
shielded, twisted pairs

Sub-D connector
15-poles



Shield connected to
metallic cover

This page has been deliberately left blank.

9 Setup

9.1 Important notes



Only specialist personnel with extensive knowledge in the areas of electrical engineering / drive technology are allowed to commission the drive unit of servo amplifier and motor.

Check that all live connection points (terminal boxes) are safe against accidental contact. Deadly voltages can occur, up to 900V.

Never undo the electrical connections to the motor when it is live. The residual charge in the capacitors of the servo amplifier can produce dangerous voltages up to 5 minutes after the mains supply has been switched off.

The surface temperature of the motor can exceed 100°C in operation. Check (measure) the temperature of the motor. Wait until the motor has cooled down below 40°C before touching it.

Make sure that, even if the drive starts to move unintentionally, no danger can result for personnel or machinery.

9.2 Guide for setup

The procedure for setup is described as an example. A different method may be appropriate or necessary, depending on the application of the equipment.

- Check the assembly and orientation of the motor.
- Check the drive components (clutch, gear unit, belt pulley) for the correct seating and setting (observe the permissible radial and axial forces).
- Check the wiring and connections to the motor and the servo amplifier. Check that the earthing is correct.
- Test the function of the holding brake, if used. (apply 24V, the brake must be released).
- Check whether the rotor of the motor revolves freely (release the brake, if necessary). Listen out for grinding noises.
- Check that all the required measures against accidental contact with live and moving parts have been carried out.
- Carry out any further tests which are specifically required for your system.
- Now commission the drive according to the setup instructions for the servo amplifier.
- In multi-axis systems, individually commission each drive unit (servo amplifier and motor).

9.3 Trouble Shooting

The following table is to be seen as a "First Aid" box. There can be a large number of different reasons for a fault, depending on the particular conditions in your system. The fault causes described below are mostly those which directly influence the motor. Peculiarities which show up in the control loop behaviour can usually be traced back to an error in the parameterization of the servo amplifier. The documentation for the servo amplifier and the setup software provides information on these matters.

For multi-axis systems there may be further hidden reasons for faults.

Our applications department can give you further help with your problems.

Fault	Possible cause	Measures to remove the cause of the fault
Motor doesn't rotate	<ul style="list-style-type: none"> — Servo-amplifier not enabled — Break in setpoint lead — Motor phases in wrong sequence — Brake not released — Drive is mechanically blocked 	<ul style="list-style-type: none"> — Supply ENABLE signal — Check setpoint lead — Correct the phase sequence — Check brake controls — Check mechanism
Motor runs away	<ul style="list-style-type: none"> — Motor phases in wrong sequence 	<ul style="list-style-type: none"> — Correct the phase sequence
Motor oscillates	<ul style="list-style-type: none"> — Break in the shielding of the resolver cable — amplifier gain too high 	<ul style="list-style-type: none"> — Replace resolver cable — use motor default values
Error message: brake	<ul style="list-style-type: none"> — Short-circuit in the supply voltage lead to the motor holding brake — Faulty motor holding brake 	<ul style="list-style-type: none"> — Remove the short-circuit — Replace motor
Error message: output stage fault	<ul style="list-style-type: none"> — Motor cable has short-circuit or earth short — Motor has short-circuit or earth short 	<ul style="list-style-type: none"> — Replace cable — Replace motor
Error message: resolver	<ul style="list-style-type: none"> — Resolver connector is not properly plugged in — Break in resolver cable, cable crushed or similar 	<ul style="list-style-type: none"> — Check connector — Check cables
Error message: motor temperature	<ul style="list-style-type: none"> — Motor thermostat has switched — Loose resolver connector or break in resolver cable 	<ul style="list-style-type: none"> — Wait until the motor has cooled down. Then investigate why the motor becomes so hot. — Check connector, replace resolver cable if necessary
Brake does not grip	<ul style="list-style-type: none"> — Required holding torque too high — Brake faulty — Motor shaft axially overloaded 	<ul style="list-style-type: none"> — Check the dimensioning — Replace motor — Check the axial load, reduce it. Replace motor, since the bearings have been damaged

10 Technical Data

All data valid for 40°C environmental temperature and 100K overtemperature of the winding. The data can have a tolerance of +/- 10%.

10.1 Definition of Terms

Standstill torque M_0 [Nm]

The standstill torque can be maintained indefinitely at a speed $n < 100 \text{ min}^{-1}$ and rated ambient conditions.

Rated torque M_n [Nm]

The rated torque is produced when the motor is drawing the rated current at the rated speed. The rated torque can be produced indefinitely at the rated speed in continuous operation (S1).

Standstill current I_{0rms} [A]

The standstill current is the effective sinusoidal current which the motor draws at $n < 100 \text{ min}^{-1}$ to produce the standstill torque.

Peak current (pulse current) I_{0max} [A]

The peak current (effective sinusoidal value) is approximately equivalent to 4-times the rated current. The actual value is determined by the peak current of the servo amplifier which is used.

Torque constant K_{Trms} [Nm/A]

The torque constant defines how much torque in Nm is produced by the motor with 1A r.m.s. current. The relationship is $M = I \times K_T$ (up to $I = 2 \times I_0$)

Voltage constant K_{Erms} [mV/min⁻¹]

The voltage constant defines the induced motor EMF, as an effective sinusoidal value between two terminals, per 1000 rpm

Rotor moment of inertia J [kgcm²]

The constant J is a measure of the acceleration capability of the motor. For instance, at I_0 the acceleration time t_b from 0 to 3000 rpm is given as:

$$t_b [\text{s}] = \frac{3000 \times 2\pi}{M_0 \times 60\text{s}} \times \frac{m^2}{10^4 \times \text{cm}^2} \times J \quad \text{with } M_0 \text{ in Nm and } J \text{ in kgcm}^2$$

Thermal time constant t_{th} [min]

The constant t_{th} defines the time for the cold motor, under a load of I_0 , to heat up to an overtemperature of 0.63×10^5 Kelvin. This temperature rise happens in a much shorter time when the motor is loaded with the rated current.

Release delay time t_{BRH} [ms] / Application delay time t_{BRL} [ms] of the brake

These constants define the response times of the holding brake when operated with the rated voltage from the servo amplifier.

U_N

Rated mains voltage

U_n

DC-Bus link voltage. $U_n = \sqrt{2} * U_N$

10.2

AKM1

Technical data

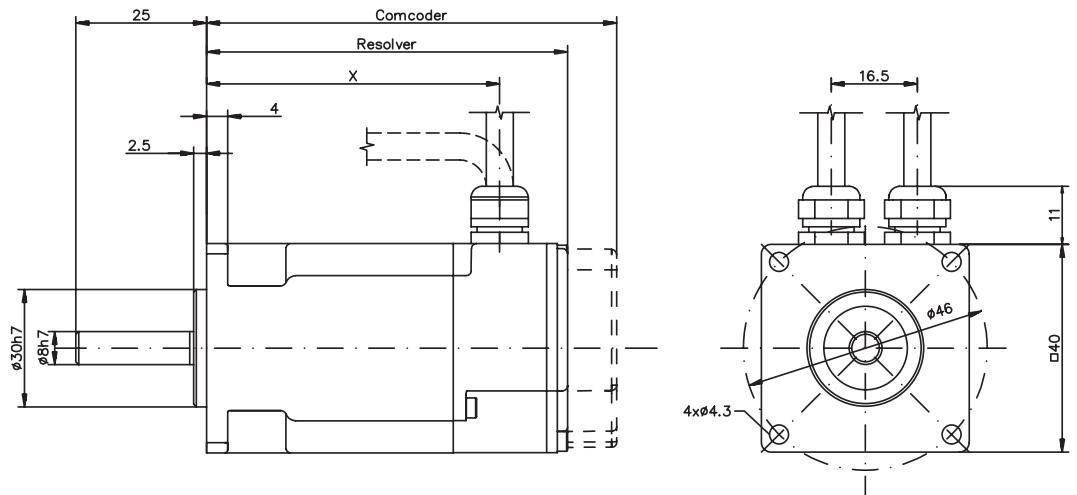
Data	Symbol [Unit]	AKM							
		11B	11C	11E	12C	12E	13C	13D	
Electrical data									
Standstill	Standstill torque*	M_0 [Nm]	0.18	0.18	0.18	0.31	0.31	0.41	0.40
	Standstill current	I_{0rms} [A]	1.16	1.45	2.91	1.51	2.72	1.48	2.40
	max. Mains voltage	U_N [VAC]	230VAC						
U = 75VDC	Rated speed	n_n [min ⁻¹]	—	—	6000	—	3000	—	2000
	Rated torque*	M_n [Nm]	—	—	0.18	—	0.31	—	0.40
	Rated power	P_n [kW]	—	—	0.11	—	0.10	—	0.08
U _N = 115V	Rated speed	n_n [min ⁻¹]	4000	6000	—	4000	8000	3000	7000
	Rated torque*	M_n [Nm]	0.18	0.18	—	0.30	0.28	0.41	0.36
	Rated power	P_n [kW]	0.08	0.11	—	0.13	0.23	0.13	0.27
U _N = 230V	Rated speed	n_n [min ⁻¹]	8000	—	—	8000	—	8000	—
	Rated torque*	M_n [Nm]	0.17	—	—	0.28	—	0.36	—
	Rated power	P_n [kW]	0.14	—	—	0.23	—	0.30	—
U _N = 400V	Rated speed	n_n [min ⁻¹]	—	—	—	—	—	—	—
	Rated torque*	M_n [Nm]	—	—	—	—	—	—	—
	Rated power	P_n [kW]	—	—	—	—	—	—	—
U _N = 480V	Rated speed	n_n [min ⁻¹]	—	—	—	—	—	—	—
	Rated torque*	M_n [Nm]	—	—	—	—	—	—	—
	Rated power	P_n [kW]	—	—	—	—	—	—	—
Peak current	I_{0max} [A]	4.65	5.79	11.6	6.06	10.9	5.93	9.6	
Peak torque	M_{0max} [Nm]	0.61	0.61	0.61	1.08	1.08	1.46	1.44	
Torque constant	K_{Trms} [Nm/A]	0.16	0.13	0.06	0.21	0.11	0.28	0.17	
Voltage constant	K_{Erms} [mVmin]	10.2	8.3	4.1	13.3	7.2	17.9	10.9	
Winding resistance Ph-Ph	R_{25} [Ω]	18.2	12.1	3.1	12.4	3.9	13.5	5.4	
Winding inductance Ph-Ph	L [mH]	12.5	8.3	2.0	9.1	2.7	10.3	3.8	
Mechanical data									
Rotor moment of inertia	J [kgcm ²]	0.017		0.031		0.045			
Pole number		6		6		6			
Static friction torque	M_R [Nm]	0.0011		0.0021		0.0031			
Thermal time constant	t_{TH} [min]	4		6		7			
Weight standard	G [kg]	0.35		0.49		0.63			
Radial load permitted at shaft end @ 8000 min ⁻¹	F_R [N]	30							
Axial load permitted	F_A [N]	12							

* reference flange Aluminium 254mm * 254mm * 6.35mm

Connections and cables

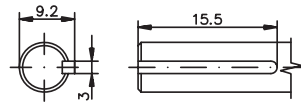
Data	AKM1
Power connection	4 + 4 poles, round, on Cable 0.5m
Motorcable, shielded	4 x 1
Motor cable with control leads, shielded	4 x 1 + 2 x 0.75
Resolver connection	12 poles, round, on Cable 0.5m
Resolver cable, shielded	4 x 2 x 0.25mm ²
Comcoder connection (option)	17 poles, round, on Cable 0.5m

Dimensions (drawing in principle)

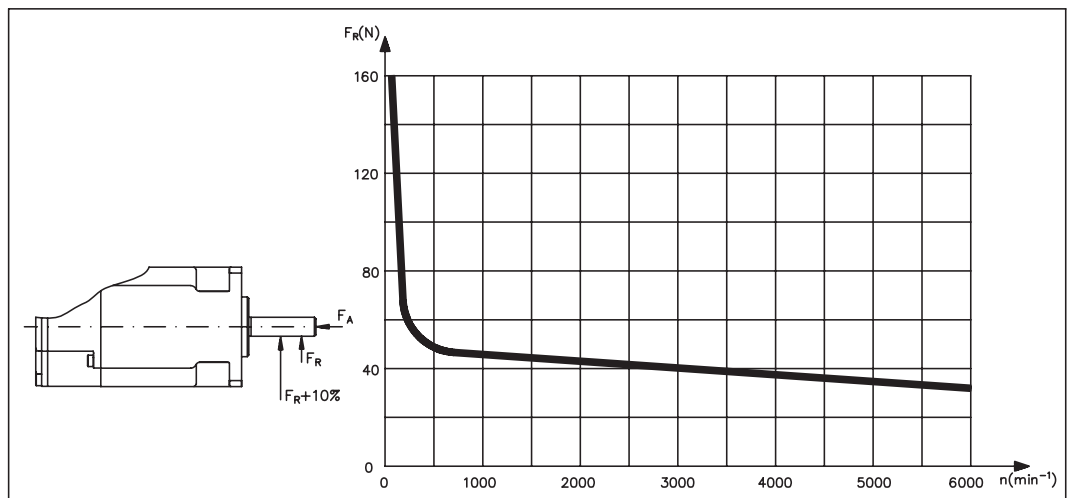


Model	X	Resolver	Comcoder
AKM11	56.1	69.6	79.0
AKM12	75.1	88.6	98.0
AKM13	94.1	107.6	117.0

Option Keyway



Radial forces at the shaft end



10.3 AKM2

Technical data

Data	Symbol [Unit]	AKM												
		21C	21E	21G	22C	22E	22G	23C	23D	23F	24C	24D	24F	
Electrical data														
Standstill torque*	M_0 [Nm]	0.48	0.50	0.50	0.84	0.87	0.88	1.13	1.16	1.18	1.38	1.41	1.42	
Standstill current	I_{0rms} [A]	1.58	3.11	4.87	1.39	2.73	4.82	1.41	2.19	4.31	1.42	2.21	3.89	
max. Mains voltage	U_N [VAC]	480												
$U_N = 75VDC$	Rated speed	n_n [min ⁻¹]	—	2000	4000	—	1000	2500	—	—	1500	—	—	1000
	Rated torque*	M_n [Nm]	—	0.48	0.46	—	0.85	0.83	—	—	1.15	—	—	1.39
	Rated power	P_n [kW]	—	0.10	0.19	—	0.09	0.22	—	—	0.18	—	—	0.15
$U_N = 115V$	Rated speed	n_n [min ⁻¹]	2500	7000	—	1000	3500	7000	1000	1500	4500	—	1500	3000
	Rated torque*	M_n [Nm]	0.46	0.41	—	0.83	0.81	0.74	1.11	1.12	1.07	—	1.36	1.33
	Rated power	P_n [kW]	0.12	0.30	—	0.09	0.30	0.54	0.12	0.18	0.50	—	0.21	0.42
$U_N = 230V$	Rated speed	n_n [min ⁻¹]	8000	—	—	3500	8000	—	2500	5000	8000	2000	4000	8000
	Rated torque*	M_n [Nm]	0.39	—	—	0.78	0.70	—	1.08	1.03	0.94	1.32	1.29	1.12
	Rated power	P_n [kW]	0.32	—	—	0.29	0.59	—	0.28	0.54	0.79	0.28	0.54	0.94
$U_N = 400V$	Rated speed	n_n [min ⁻¹]	—	—	—	8000	—	—	5500	8000	—	4500	8000	—
	Rated torque*	M_n [Nm]	—	—	—	0.68	—	—	0.99	0.92	—	1.25	1.11	—
	Rated power	P_n [kW]	—	—	—	0.57	—	—	0.57	0.77	—	0.59	0.93	—
$U_N = 480V$	Rated speed	n_n [min ⁻¹]	—	—	—	8000	—	—	7000	8000	—	5500	8000	—
	Rated torque*	M_n [Nm]	—	—	—	0.68	—	—	0.95	0.92	—	1.22	1.11	—
	Rated power	P_n [kW]	—	—	—	0.57	—	—	0.70	0.77	—	0.70	0.93	—
Peak current	I_{0max} [A]	6.3	12.4	19.5	5.6	10.9	19.3	5.6	8.8	17.2	5.7	8.8	15.6	
Peak torque	M_{0max} [Nm]	1.47	1.49	1.51	2.73	2.76	2.79	3.77	3.84	3.88	4.73	4.76	4.82	
Torque constant	K_{Trms} [Nm/A]	0.30	0.16	0.10	0.61	0.32	0.18	0.80	0.52	0.27	0.97	0.63	0.36	
Voltage constant	K_{Erms} [mV/min]	19.5	10.2	6.6	39	20.4	11.7	51.8	33.8	17.6	62.4	40.8	23.4	
Winding resistance Ph-Ph	R_{25} [Ω]	13.0	3.42	1.44	20	5.22	1.69	21.2	8.77	2.34	20.4	9.02	2.77	
Winding inductance Ph-Ph	L [mH]	19	5.2	2.18	35.5	9.7	3.19	40.7	17.3	4.68	43.8	18.7	6.16	
Mechanical data														
Rotor moment of inertia	J [kgcm ²]	0.11		0.16		0.22		0.27						
Pole number		6		6		6		6						
Static friction torque	M_R [Nm]	0.002		0.005		0.007		0.01						
Thermal time constant	t_{TH} [min]	8		9		10		11						
Weight standard	G [kg]	0.82		1.1		1.38		1.66						
Radial load permitted at shaft end @ 5000 min ⁻¹	F_R [N]	145												
Axial load permitted	F_A [N]	60												

* reference flange Aluminium 254mm * 254mm * 6.35mm

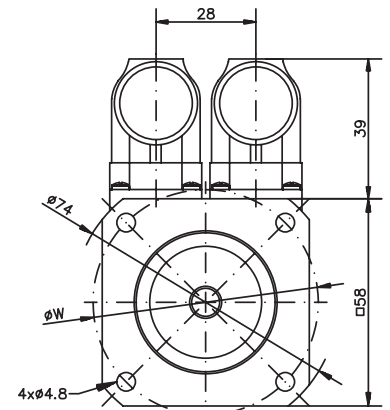
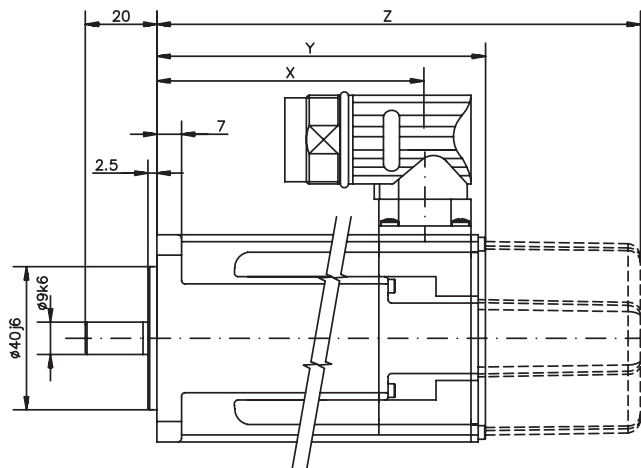
Brake data

Data	Symbol [Unit]	Value
Holding torque @ 120°C	M_{BR} [Nm]	1.42
Operating voltage	U_{BR} [VDC]	24 ± 10 %
electrical power	P_{BR} [W]	8.4
Moment of inertia	J_{BR} [kgcm ²]	0.011
Release delay time	t_{BRH} [ms]	20
Application delay time	t_{BRL} [ms]	18
Weight of the brake	G_{BR} [kg]	0.27
Typical backlash	[°mech.]	0.46

Connections and cables

Data	AKM2
Power connection	4 + 4 poles, round, angular
Motorcable, shielded	4 x 1
Motor cable with control leads, shielded	4 x 1 + 2 x 0.75
Resolver connection	12 poles, round, angular
Resolver cable, shielded	4 x 2 x 0.25mm ²
Encoder connection (option)	17 poles, round, angular
Encoder cable, shielded	7 x 2 x 0.25mm ²

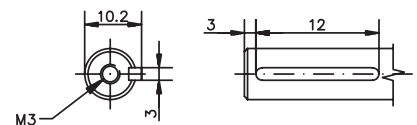
Dimensions (drawing in principle)



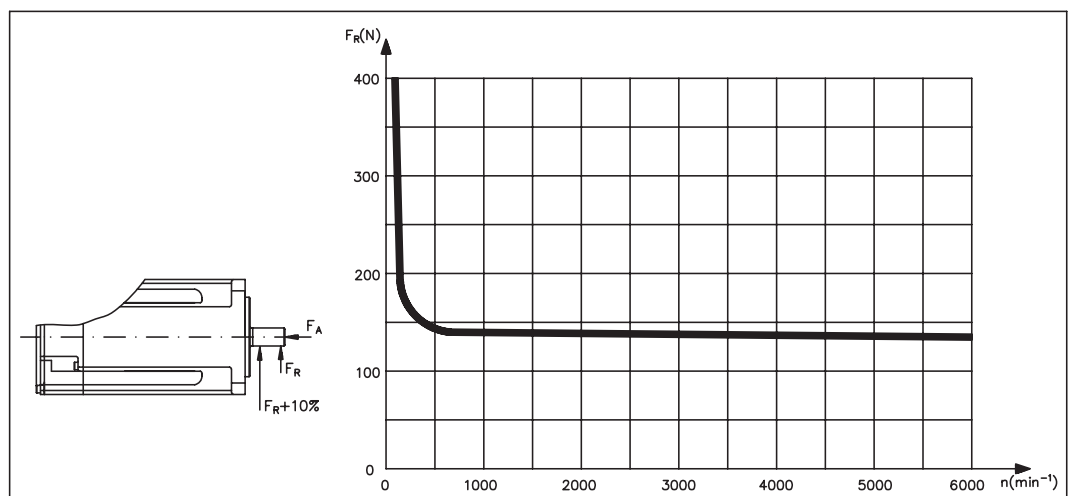
φW = φ63mm, AKM2xx-Ax
 φW = φ65mm, AKM2xx-Dx

Model	X	Y	Z (brake)
AKM21	76.1	95.4	129.5
AKM22	95.1	114.4	148.5
AKM23	114.1	133.4	167.5
AKM24	133.1	152.4	186.5

Option Keyway



Radial forces at the shaft end



10.4

AKM3

Technical data

Data	Symbol [Unit]	AKM									
		31C	31E	31H	32C	32D	32H	33C	33E	33H	
Electrical data											
max. Mains voltage	Standstill torque*	M_0 [Nm]	1.15	1.20	1.23	2.00	2.04	2.10	2.71	2.79	2.88
	Standstill current	I_{0rms} [A]	1.37	2.99	5.85	1.44	2.23	5.50	1.47	2.58	5.62
		U_N [VAC]	480								
$U_N = 75VDC$	Rated speed	n_n [min ⁻¹]	—	750	2000	—	—	1200	—	—	800
	Rated torque*	M_n [Nm]	—	1.19	1.20	—	—	2.06	—	—	2.82
	Rated power	P_n [kW]	—	0.09	0.25	—	—	0.26	—	—	0.24
$U_N = 115V$	Rated speed	n_n [min ⁻¹]	—	2500	6000	—	1000	3000	—	—	2500
	Rated torque*	M_n [Nm]	—	1.17	0.97	—	2.00	1.96	—	—	2.66
	Rated power	P_n [kW]	—	0.31	0.61	—	0.21	0.62	—	—	0.70
$U_N = 230V$	Rated speed	n_n [min ⁻¹]	2500	6000	—	1500	2500	7000	1000	2000	5500
	Rated torque*	M_n [Nm]	1.12	0.95	—	1.95	1.93	1.45	2.64	2.62	2.27
	Rated power	P_n [kW]	0.29	0.60	—	0.31	0.51	1.06	0.28	0.55	1.31
$U_N = 400V$	Rated speed	n_n [min ⁻¹]	5000	—	—	3000	5500	—	2000	4500	—
	Rated torque*	M_n [Nm]	1.00	—	—	1.86	1.65	—	2.54	2.34	—
	Rated power	P_n [kW]	0.52	—	—	0.58	0.95	—	0.53	1.10	—
$U_N = 480V$	Rated speed	n_n [min ⁻¹]	6000	—	—	3500	6000	—	2500	5000	—
	Rated torque*	M_n [Nm]	0.91	—	—	1.83	1.58	—	2.50	2.27	—
	Rated power	P_n [kW]	0.57	—	—	0.67	0.99	—	0.65	1.19	—
Peak current	Peak current	I_{0max} [A]	5.5	12.0	23.4	5.7	8.9	22.0	5.9	10.3	22.5
	Peak torque	M_{0max} [Nm]	3.88	4.00	4.06	6.92	7.05	7.26	9.76	9.96	10.2
	Torque constant	K_{Trms} [Nm/A]	0.85	0.41	0.21	1.40	0.92	0.39	1.86	1.10	0.52
	Voltage constant	K_{Erms} [mV/min]	54.5	26.1	13.7	89.8	59.0	24.8	120	70.6	33.4
	Winding resistance Ph-Ph	R_{25} [Ω]	21.4	4.74	1.29	23.8	10.3	1.69	26.6	9.01	1.96
	Winding inductance Ph-Ph	L [mH]	37.5	8.6	2.4	46.5	20.1	3.55	53.6	18.5	4.1
Mechanical data											
Rotor moment of inertia	J [kgcm ²]	0.33			0.59			0.85			
Pole number		8			8			8			
Static friction torque	M_R [Nm]	0.014			0.02			0.026			
Thermal time constant	t_{TH} [min]	14			17			20			
Weight standard	G [kg]	1.55			2.23			2.9			
Radial load permitted at shaft end @ 3000 min ⁻¹	F_R [N]	195									
Axial load permitted	F_A [N]	65									

* reference flange Aluminium 254mm * 254mm * 6.35mm

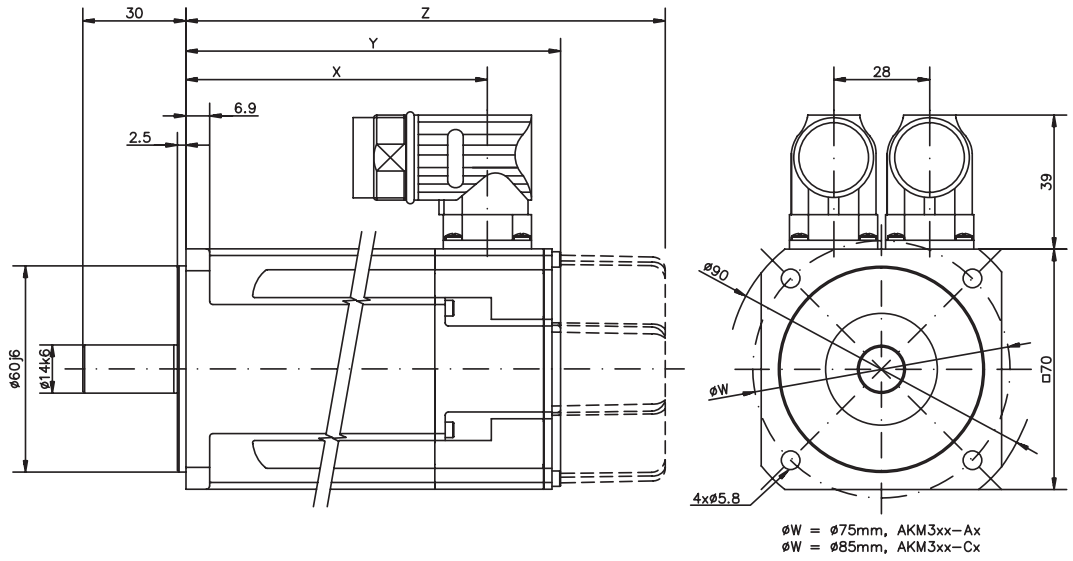
Brake data

Data	Symbol [Unit]	Value
Holding torque @ 120°C	M_{BR} [Nm]	2.5
Operating voltage	U_{BR} [VDC]	24 ± 10 %
electrical power	P_{BR} [W]	10.1
Moment of inertia	J_{BR} [kgcm ²]	0.011
Release delay time	t_{BRH} [ms]	25
Application delay time	t_{BRL} [ms]	10
Weight of the brake	G_{BR} [kg]	0.35
Typical backlash	[°mech.]	0.46

Connections and cables

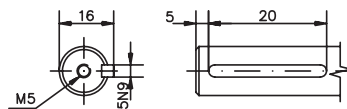
Data	AKM3
Power connection	4 + 4 poles, round, angular
Motorcable, shielded	4 x 1
Motor cable with control leads, shielded	4 x 1 + 2 x 0.75
Resolver connection	12 poles, round, angular
Resolver cable, shielded	4 x 2 x 0.25mm ²
Encoder connection (option)	17 poles, round, angular
Encoder cable, shielded	7 x 2 x 0.25mm ²

Dimensions (drawing in principle)

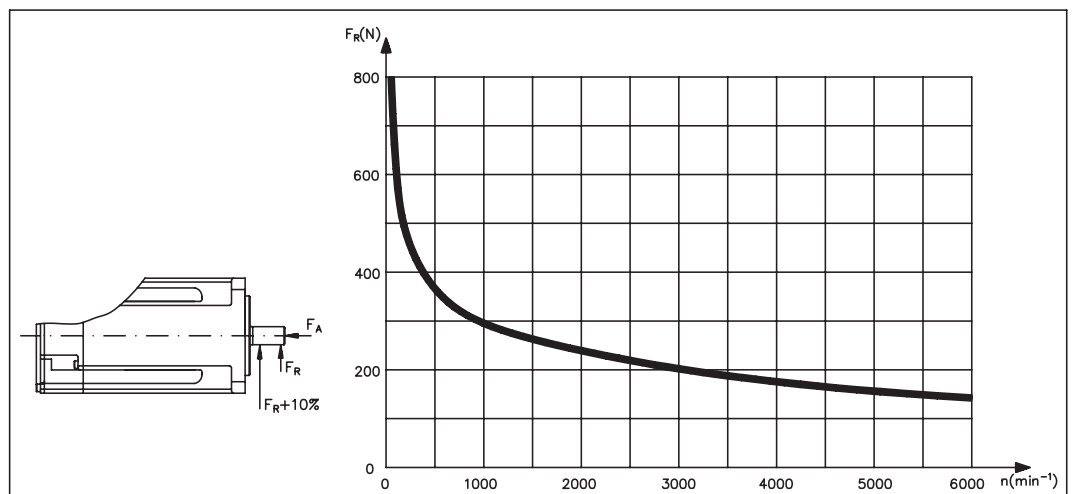


Model	X	Resolver/Encoder	
		Y	Z (brake)
AKM31	87.9	109.8	141.3
AKM32	118.9	140.8	172.3
AKM33	149.9	171.8	203.3

Option Keyway



Radial forces at the shaft end



10.5 AKM4

Technical data

Data	Symbol [Unit]	AKM													
		41C	41E	41H	42C	42E	42G	42J	43E	43G	43K	44E	44G	44J	
Electrical data															
Standstill torque*	M_0 [Nm]	1.95	2.02	2.06	3.35	3.42	3.53	3.56	4.70	4.80	4.90	5.76	5.88	6.00	
Standstill current	I_{0rms} [A]	1.46	2.85	5.60	1.40	2.74	4.80	8.40	2.76	4.87	9.60	2.90	5.00	8.80	
max. Mains voltage	U_N [VAC]	480													
$U = 75VDC$	Rated speed	n_n [min ⁻¹]	—	—	1000	—	—	—	—	—	—	—	—	—	
	Rated torque*	M_n [Nm]	—	—	1.99	—	—	—	—	—	—	—	—	—	
	Rated power	P_n [kW]	—	—	0.21	—	—	—	—	—	—	—	—	—	
$U_N = 115V$	Rated speed	n_n [min ⁻¹]	—	1200	3000	—	—	—	3000	—	—	2500	—	—	
	Rated torque*	M_n [Nm]	—	1.94	1.86	—	—	—	3.03	—	—	4.08	—	—	
	Rated power	P_n [kW]	—	0.24	0.58	—	—	—	0.95	—	—	1.07	—	—	
$U_N = 230V$	Rated speed	n_n [min ⁻¹]	1200	3000	6000	—	1800	3500	6000	1500	2500	6000	1200	2000	4000
	Rated torque*	M_n [Nm]	1.88	1.82	1.62	—	3.12	2.90	2.38	4.24	4.00	2.62	5.22	4.90	3.84
	Rated power	P_n [kW]	0.24	0.57	1.02	—	0.59	1.06	1.50	0.67	1.05	1.65	0.66	1.03	1.61
$U_N = 400V$	Rated speed	n_n [min ⁻¹]	3000	6000	—	1500	3500	6000	—	2500	5000	—	2000	4000	6000
	Rated torque*	M_n [Nm]	1.77	1.58	—	3.10	2.81	2.35	—	3.92	3.01	—	4.80	3.76	2.75
	Rated power	P_n [kW]	0.56	0.99	—	0.49	1.03	1.48	—	1.03	1.58	—	1.01	1.57	1.73
$U_N = 480V$	Rated speed	n_n [min ⁻¹]	3500	6000	—	2000	4000	6000	—	3000	6000	—	2500	5000	6000
	Rated torque*	M_n [Nm]	1.74	1.58	—	3.02	2.72	2.35	—	3.76	2.57	—	4.56	3.19	2.75
	Rated power	P_n [kW]	0.64	0.99	—	0.63	1.14	1.48	—	1.18	1.61	—	1.19	1.67	1.73
Peak current	I_{0max} [A]	5.8	11.4	22.4	5.61	11.0	19.2	33.7	11.0	19.5	38.3	11.4	20.0	35.2	
Peak torque	M_{0max} [Nm]	6.12	6.28	6.36	11.1	11.3	11.5	11.6	15.9	16.1	16.3	19.9	20.2	20.4	
Torque constant	K_{Trms} [Nm/A]	1.34	0.71	0.37	2.40	1.26	0.74	0.43	1.72	0.99	0.52	2.04	1.19	0.69	
Voltage constant	$K_{E rms}$ [mVmin]	86.3	45.6	23.7	154	80.9	47.5	27.5	111	63.9	33.2	132	76.6	44.2	
Winding resistance Ph-Ph	R_{25} [Ω]	21.3	6.02	1.56	27.5	7.78	2.51	0.80	8.61	2.61	0.74	8.08	2.80	0.94	
Winding inductance Ph-Ph	L [mH]	66.1	18.4	5.0	97.4	26.8	9.2	3.1	32.6	10.8	2.9	33.9	11.5	3.8	
Mechanical data															
Rotor moment of inertia	J [kgcm ²]	0.81		1.5				2.1				2.7			
Pole number		10		10				10				10			
Static friction torque	M_R [Nm]	0.014		0.026				0.038				0.05			
Thermal time constant	t_{TH} [min]	13		17				20				24			
Weight standard	G [kg]	2.44		3.39				4.35				5.3			
Radial load permitted at shaft end @ 3000 min ⁻¹	F_R [N]	450													
Axial load permitted at shaft	F_A [N]	180													

* reference flange Aluminium 254mm * 254mm * 6.35mm

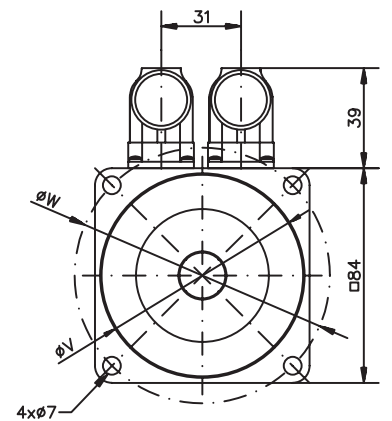
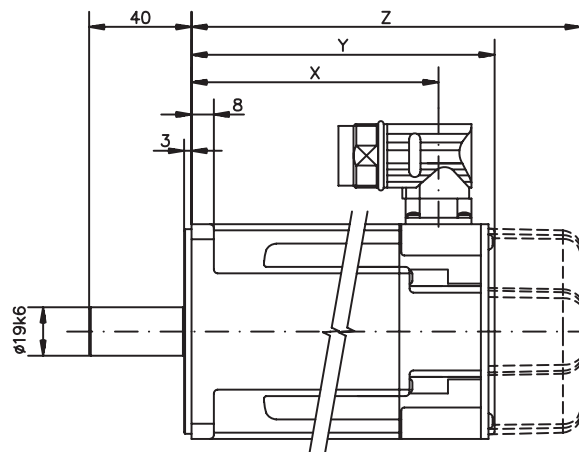
Brake data

Data	Symbol [Unit]	Value
Holding torque @ 120°C	M_{BR} [Nm]	6
Operating voltage	U_{BR} [VDC]	24 ± 10 %
electrical power	P_{BR} [W]	12.8
Moment of inertia	J_{BR} [kgcm ²]	0.068
Release delay time	t_{BRH} [ms]	35
Application delay time	t_{BRL} [ms]	15
Weight of the brake	G_{BR} [kg]	0.63
Typical backlash	[°mech.]	0.37

Connections and cables

Data	AKM4
Power connection	4 + 4 poles, round, angular
Motorcable, shielded	4 x 1.5
Motor cable with control leads, shielded	4 x 1.5 + 2 x 0.75
Resolver connection	12 poles, round, angular
Resolver cable, shielded	4 x 2 x 0.25mm ²
Encoder connection (option)	17 poles, round, angular
Encoder cable, shielded	7 x 2 x 0.25mm ²

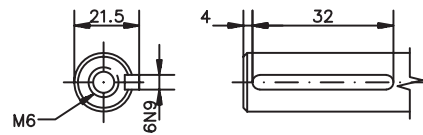
Dimensions (drawing in principle)



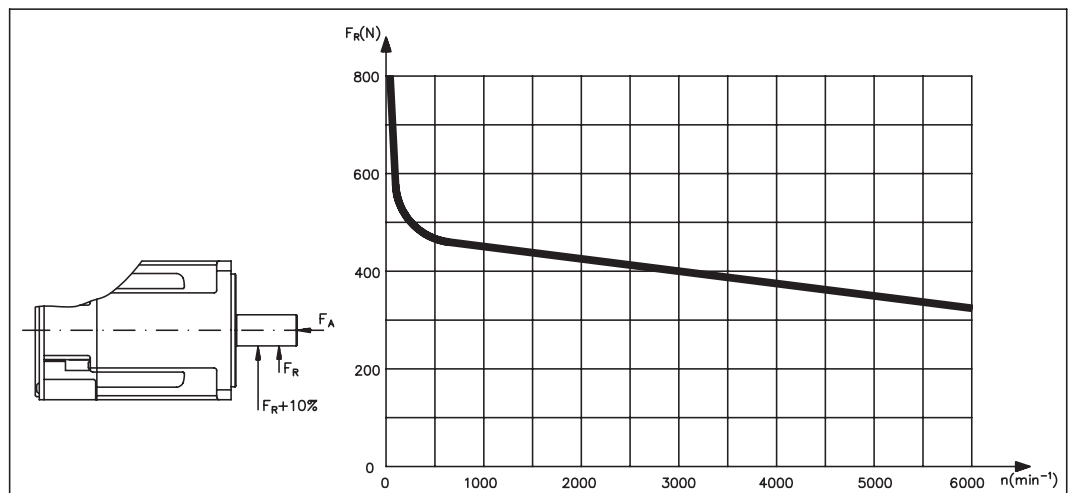
øW=ø100, øV=ø80j6, AKM4xx-Ax
 øW=ø90, øV=ø60j6, AKM4xx-Cx

Model	X	Resolver/Encoder	
		Y	Z (brake)
AKM41	96.4	118.8	152.3
AKM42	125.5	147.8	181.3
AKM43	154.4	176.8	210.3
AKM44	183.4	205.8	239.3

Option Keyway



Radial forces at the shaft end



10.6 AKM5

Technical data

Data	Symbol [Unit]	AKM															
		51E	51G	51K	52E	52G	52K	52M	53G	53K	53M	53P	54G	54K	54L	54N	
Electrical data																	
Standstill torque*	M_0 [Nm]	4.70	4.75	4.90	8.34	8.43	8.60	8.60	11.4	11.6	11.4	11.4	14.3	14.4	14.1	14.1	
	Standstill current	I_{0rms} [A]	2.75	4.84	9.4	2.99	4.72	9.3	13.1	4.77	9.4	13.4	19.1	5.0	9.7	12.5	17.8
max. Mains voltage	U_N [VAC]	480															
$U = 75VDC$	Rated speed	n_n [min ⁻¹]	—	—	—	—	—	—	—	—	—	—	—	—	—	—	
	Rated torque*	M_n [Nm]	—	—	—	—	—	—	—	—	—	—	—	—	—	—	
	Rated power	P_n [kW]	—	—	—	—	—	—	—	—	—	—	—	—	—	—	
$U_N = 115V$	Rated speed	n_n [min ⁻¹]	—	—	2500	—	—	—	—	—	—	—	—	—	—	—	
	Rated torque*	M_n [Nm]	—	—	4.15	—	—	—	—	—	—	—	—	—	—		
	Rated power	P_n [kW]	—	—	1.09	—	—	—	—	—	—	—	—	—	—		
$U_N = 230V$	Rated speed	n_n [min ⁻¹]	1200	2500	5500	—	1500	3000	4500	1000	2000	3000	5000	—	1800	2500	3500
	Rated torque*	M_n [Nm]	4.41	4.02	2.35	—	7.69	6.80	5.20	10.7	10.1	8.72	5.88	—	12.7	11.5	9.85
	Rated power	P_n [kW]	0.55	1.05	1.35	—	1.21	2.14	2.45	1.12	2.12	2.74	3.08	—	2.39	3.00	3.61
$U_N = 400V$	Rated speed	n_n [min ⁻¹]	2500	5000	—	1500	2500	5500	—	2000	4000	—	—	1500	3500	4500	—
	Rated torque*	M_n [Nm]	3.98	2.62	—	7.61	7.06	3.90	—	9.85	7.65	—	—	12.9	10.0	8.13	—
	Rated power	P_n [kW]	1.04	1.37	—	1.20	1.85	2.25	—	2.06	3.20	—	—	2.03	3.68	3.83	—
$U_N = 480V$	Rated speed	n_n [min ⁻¹]	3000	6000	—	2000	3000	6000	—	2400	4500	—	—	2000	4000	—	—
	Rated torque*	M_n [Nm]	3.80	1.94	—	7.28	6.66	3.25	—	9.50	6.85	—	—	12.3	9.25	—	—
	Rated power	P_n [kW]	1.19	1.22	—	1.52	2.09	2.04	—	2.39	3.23	—	—	2.57	3.87	—	—
Peak current	I_{0max} [A]	8.24	14.5	28.3	9.00	14.2	27.8	39.4	14.3	28.1	40.3	57.4	14.9	29.2	37.5	53.4	
Peak torque	M_{0max} [Nm]	11.6	11.7	12.0	21.3	21.5	21.9	21.9	29.7	30.1	29.8	29.8	37.8	38.4	37.5	37.6	
Torque constant	K_{Trms} [Nm/A]	1.72	0.99	0.52	2.79	1.79	0.93	0.66	2.39	1.24	0.85	0.60	2.88	1.50	1.13	0.80	
Voltage constant	$K_{E rms}$ [mV/min]	110	63.6	33.5	179	115	60.1	42.4	154	79.8	54.7	38.4	185	96.6	72.9	51.3	
Winding resistance Ph-Ph	R_{25} [Ω]	8.98	2.75	0.75	8.96	3.70	0.96	0.49	3.97	1.06	0.51	0.28	4.08	1.08	0.65	0.33	
Winding inductance Ph-Ph	L [mH]	36.6	12.1	3.40	44.7	18.5	5.00	2.50	21.3	5.70	2.70	1.30	22.9	6.20	3.50	1.80	
Mechanical data																	
Rotor moment of inertia	J [kgcm ²]	3.4			6.2			9.1			12						
Pole number		10			10			10			10						
Static friction torque	M_R [Nm]	0.022			0.04			0.058			0.077						
Thermal time constant	t_{TH} [min]	20			24			28			31						
Weight standard	G [kg]	4.2			5.8			7.4			9						
Radial load permitted at shaft end @ 3000 min ⁻¹	F_R [N]	450															
Axial load permitted	F_A [N]	180															

* reference flange Aluminium 305mm * 305mm * 12.7mm

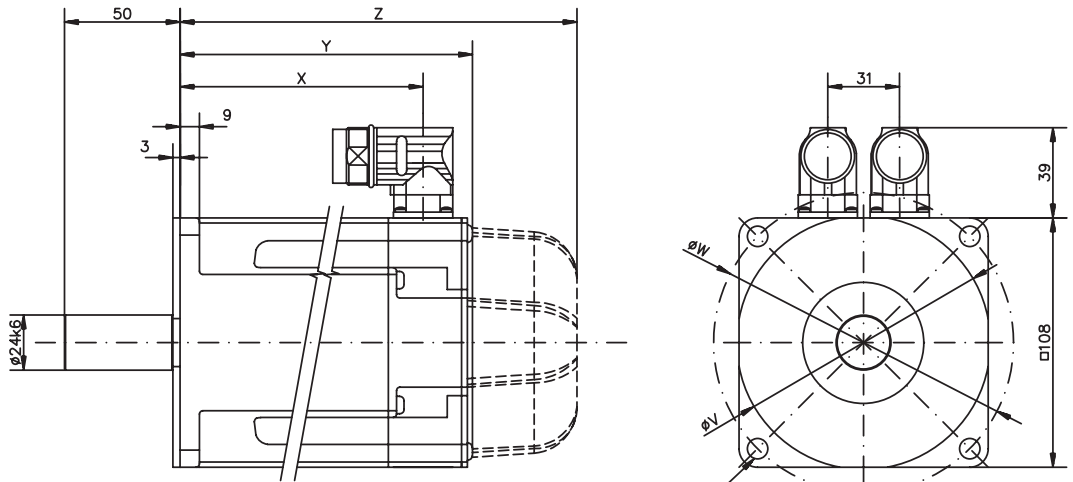
Brake data

Data	Symbol [Unit]	Value
Holding torque @ 120°C	M_{BR} [Nm]	14.5
Operating voltage	U_{BR} [VDC]	24 ± 10 %
electrical power	P_{BR} [W]	19.5
Moment of inertia	J_{BR} [kgcm ²]	0.173
Release delay time	t_{BRH} [ms]	80
Application delay time	t_{BRL} [ms]	15
Weight of the brake	G_{BR} [kg]	1.1
Typical backlash	[°mech.]	0.31

Connections and cables

Data	AKM5	
Power connection	4 + 4 poles, round, angular	
Motorcable, shielded	4 x 1.5	4 x 2.5
Motor cable with control leads, shielded	4 x 1.5 + 2 x 0.75	4 x 2.5 + 2 x 1
Resolver connection	12 poles, round, angular	
Resolver cable, shielded	4 x 2 x 0.25mm ²	
Encoder connection (option)	17 poles, round, angular	
Encoder cable, shielded	7 x 2 x 0.25mm ²	

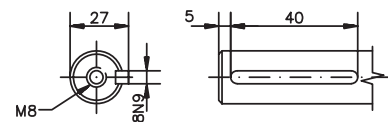
Dimensions (drawing in principle)



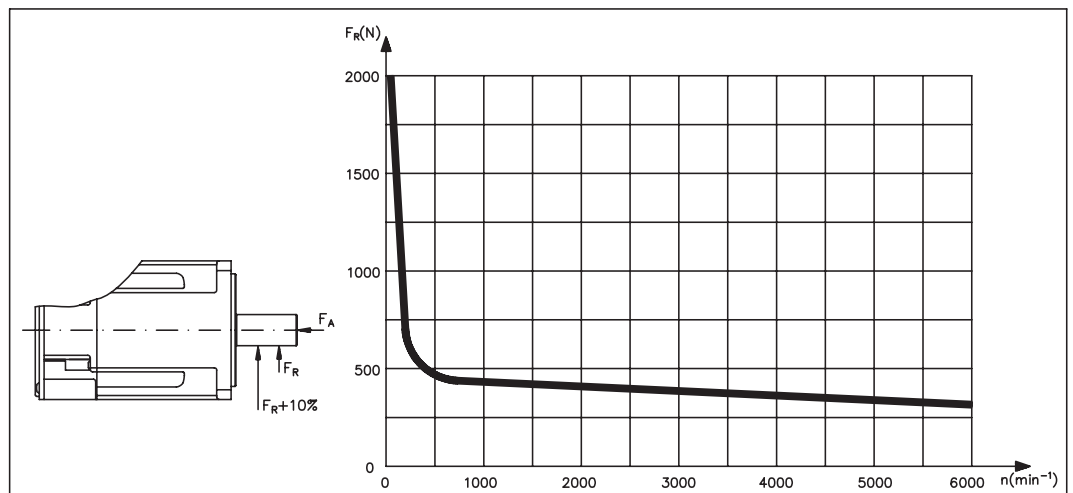
øW=ø130, øV=ø110j6, AKM5xx-Ax
 øW=ø115, øV=ø95j6, AKM5xx-Cx

Model	X	Resolver/Comcoder		Encoder	
		Y	Z (brake)	Y	Z (brake)
AKM51	105.3	127.5	172.5	146.0	189.0
AKM52	136.3	158.5	203.5	177.0	220.0
AKM53	167.3	189.5	234.5	208.0	251.0
AKM54	198.3	220.5	265.5	239.0	282.0

Option Keyway



Radial forces at the shaft end



10.7 AKM6

Technical data

Data	Symbol [Unit]	AKM														
		62G	62K	62M	62P	63G	63K	63M	63N	64K	64L	64P	65K	65M	65N	
Electrical data																
Standstill torque*	M_0 [Nm]	11.9	12.2	12.2	12.3	16.5	16.8	17.0	17.0	20.8	21.0	20.4	24.8	25.0	24.3	
	I_{0rms} [A]	4.9	9.6	13.4	18.8	4.5	9.9	13.8	17.4	9.2	12.8	18.6	9.8	13.6	17.8	
Mains voltage	U_N [VAC]	230-480														
$U_N = 75VDC$	Rated speed	n_n [min ⁻¹]	—	—	—	—	—	—	—	—	—	—	—	—	—	
	Rated torque*	M_n [Nm]	—	—	—	—	—	—	—	—	—	—	—	—	—	
	Rated power	P_n [kW]	—	—	—	—	—	—	—	—	—	—	—	—	—	
$U_N = 115V$	Rated speed	n_n [min ⁻¹]	—	—	—	—	—	—	—	—	—	—	—	—	—	
	Rated torque*	M_n [Nm]	—	—	—	—	—	—	—	—	—	—	—	—	—	
	Rated power	P_n [kW]	—	—	—	—	—	—	—	—	—	—	—	—	—	
$U_N = 230V$	Rated speed	n_n [min ⁻¹]	—	2000	3000	4500	—	1500	2000	3000	1200	1500	2500	1000	1500	2000
	Rated torque*	M_n [Nm]	—	10.4	9.50	8.10	—	14.9	14.3	13.0	18.8	18.4	16.0	22.8	21.9	19.8
	Rated power	P_n [kW]	—	2.18	2.98	3.82	—	2.34	2.99	4.08	2.36	2.89	4.19	2.39	3.44	4.15
$U_N = 400V$	Rated speed	n_n [min ⁻¹]	1800	3500	6000	—	1200	3000	4000	5000	2000	3000	4500	2000	2500	3500
	Rated torque*	M_n [Nm]	10.4	9.00	5.70	—	14.9	12.9	11.3	9.60	17.2	15.6	11.9	20.2	19.2	16.0
	Rated power	P_n [kW]	1.96	3.30	3.58	—	1.87	4.05	4.73	5.03	3.60	4.90	5.61	4.23	5.03	5.86
$U_N = 480V$	Rated speed	n_n [min ⁻¹]	2000	4500	6000	—	1500	3500	4500	6000	2500	3500	5500	2200	3000	4000
	Rated torque*	M_n [Nm]	10.2	8.00	5.70	—	14.6	12.0	10.5	7.00	16.3	14.4	9.00	19.7	18.1	14.7
	Rated power	P_n [kW]	2.14	3.77	3.58	—	2.29	4.40	4.95	4.40	4.27	5.28	5.18	4.54	5.69	6.16
Peak current	I_{0max} [A]	14.6	28.7	40.3	56.5	13.4	29.7	41.4	52.2	27.5	38.4	55.9	29.4	40.9	53.3	
Peak torque	M_{0max} [Nm]	29.8	30.1	30.2	30.4	41.8	42.6	43.0	43.0	53.5	54.1	52.9	64.5	65.2	63.7	
Torque constant	K_{Trms} [Nm/A]	2.47	1.28	0.91	0.66	3.70	1.71	1.24	0.98	2.28	1.66	1.10	2.54	1.85	1.38	
Voltage constant	K_{Erms} [mV/min]	159	82.1	58.8	42.2	238	110	79.9	63.3	147	107	71.0	164	119	88.8	
Winding resistance Ph-Ph	R_{25} [Ω]	4.13	1.08	0.57	0.30	5.50	1.14	0.61	0.39	1.41	0.75	0.36	1.35	0.73	0.43	
Winding inductance Ph-Ph	L [mH]	31.7	8.5	4.4	2.2	43.5	9.3	4.9	3.1	11.8	6.2	2.8	11.4	6.1	3.4	
Mechanical data																
Rotor moment of inertia	J [kgcm ²]	17			24			32			40					
Pole number		10			10			10			10					
Static friction torque	M_R [Nm]	0.05			0.1			0.15			0.2					
Thermal time constant	t_{TH} [min]	20			25			30			35					
Weight standard	G [kg]	8.9			11.1			13.3			15.4					
Radial load permitted at shaft end @ 3000 min ⁻¹	F_R [N]	770														
Axial load permitted	F_A [N]	280														

* reference flange Aluminium 457mm * 457mm * 12.7mm

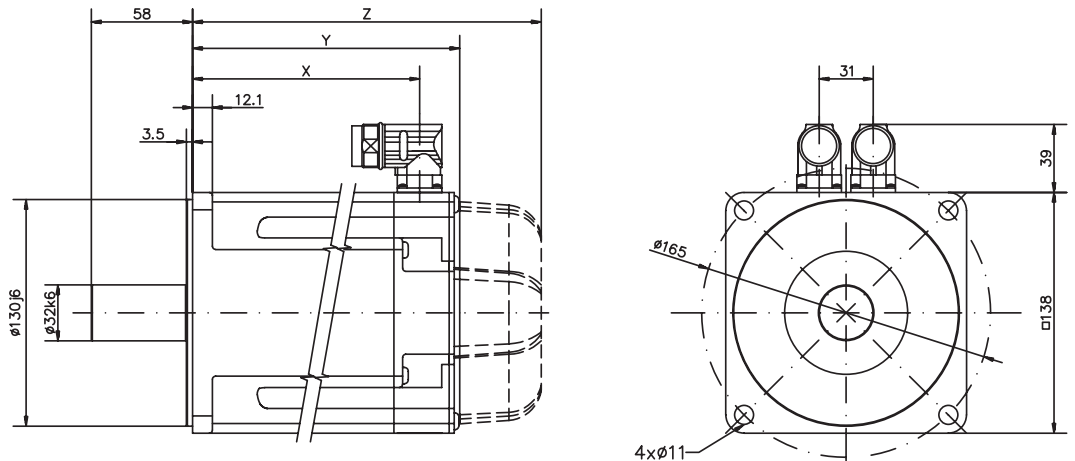
Brake data

Data	Symbol [Unit]	Value
Holding torque @ 120°C	M_{BR} [Nm]	25
Operating voltage	U_{BR} [VDC]	24 ± 10 %
electrical power	P_{BR} [W]	25.7
Moment of inertia	J_{BR} [kgcm ²]	0.61
Release delay time	t_{BRH} [ms]	105
Application delay time	t_{BRL} [ms]	20
Weight of the brake	G_{BR} [kg]	2
Typical backlash	[°mech.]	0.24

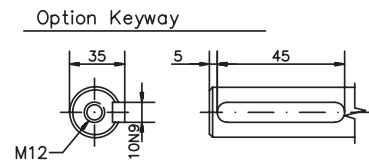
Connections and cables

Data	AKM6
Power connection	4 + 4 poles, round, angular
Motorcable, shielded	4 x 2.5
Motor cable with control leads, shielded	4 x 2.5 + 2 x 1
Resolver connection	12 poles, round, angular
Resolver cable, shielded	4 x 2 x 0.25mm ²
Encoder connection (option)	17 poles, round, angular
Encoder cable, shielded	7 x 2 x 0.25mm ²

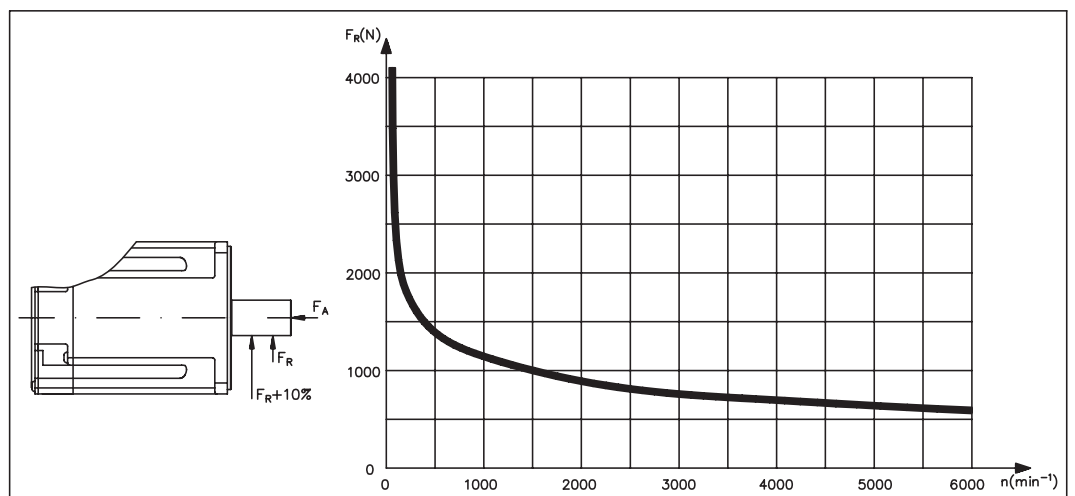
Dimensions (drawing in principle)



Model	X	Resolver/Comcoder		Encoder	
		Y	Z (brake)	Y	Z (brake)
AKM62	130.5	153.7	200.7	172.2	219.7
AKM63	155.5	178.7	225.7	197.2	244.7
AKM64	180.5	203.7	250.7	222.2	269.7
AKM65	205.5	228.7	275.7	247.2	294.7



Radial forces at the shaft end



10.8

AKM7

Technical data

Data	Symbol [Unit]	AKM							
		72K	72M	72P	73M	73P	74L	74P	
Electrical data									
	Standstill torque*	M_0 [Nm]	29.7	30.0	29.4	42.0	41.6	53.0	52.5
	Standstill current	I_{0rms} [A]	9.3	13.0	18.7	13.6	19.5	12.9	18.5
	max. Mains voltage	U_N [VAC]	480						
U = 75VDC	Rated speed	n_n [min ⁻¹]	—	—	—	—	—	—	—
	Rated torque*	M_n [Nm]	—	—	—	—	—	—	—
	Rated power	P_n [kW]	—	—	—	—	—	—	—
U _N = 115V	Rated speed	n_n [min ⁻¹]	—	—	—	—	—	—	—
	Rated torque*	M_n [Nm]	—	—	—	—	—	—	—
	Rated power	P_n [kW]	—	—	—	—	—	—	—
U _N = 230V	Rated speed	n_n [min ⁻¹]	—	—	1800	—	1300	—	—
	Rated torque*	M_n [Nm]	—	—	23.8	—	34.7	—	—
	Rated power	P_n [kW]	—	—	4.49	—	4.72	—	—
U _N = 400V	Rated speed	n_n [min ⁻¹]	1500	2000	3000	1500	2400	1200	1800
	Rated torque*	M_n [Nm]	25.1	23.6	20.1	33.8	28.5	43.5	39.6
	Rated power	P_n [kW]	3.94	4.94	6.31	5.31	7.16	5.47	7.46
U _N = 480V	Rated speed	n_n [min ⁻¹]	1800	2500	3500	1800	2800	1400	2000
	Rated torque*	M_n [Nm]	24.0	22.1	18.2	32.1	26.3	41.5	35.9
	Rated power	P_n [kW]	4.52	5.79	6.67	6.05	7.71	6.08	7.52
	Peak current	I_{0max} [A]	27.8	38.9	56.1	40.8	58.6	38.7	55.5
	Peak torque	M_{0max} [Nm]	79.2	79.7	78.5	113	111	143	142
	Torque constant	K_{Trms} [Nm/A]	3.23	2.33	1.58	3.10	2.13	4.14	2.84
	Voltage constant	K_{Erms} [mV/min]	208	150	102	200	137	266	183
	Winding resistance Ph-Ph	R_{25} [Ω]	1.36	0.69	0.35	0.76	0.38	0.93	0.47
	Winding inductance Ph-Ph	L [mH]	20.7	10.8	5.0	12.4	5.9	16.4	7.7
Mechanical data									
	Rotor moment of inertia	J [kgcm ²]	65		92		120		
	Pole number		10		10		10		
	Static friction torque	M_R [Nm]	0.16		0.24		0.33		
	Thermal time constant	t_{TH} [min]	46		53		60		
	Weight standard	G [kg]	19.7		26.7		33.6		
	Radial load permitted at shaft end @ 1000 min ⁻¹	F_R [N]	1300						
	Axial load permitted	F_A [N]	500						

* reference flange Aluminium 457mm * 457mm * 12.7mm

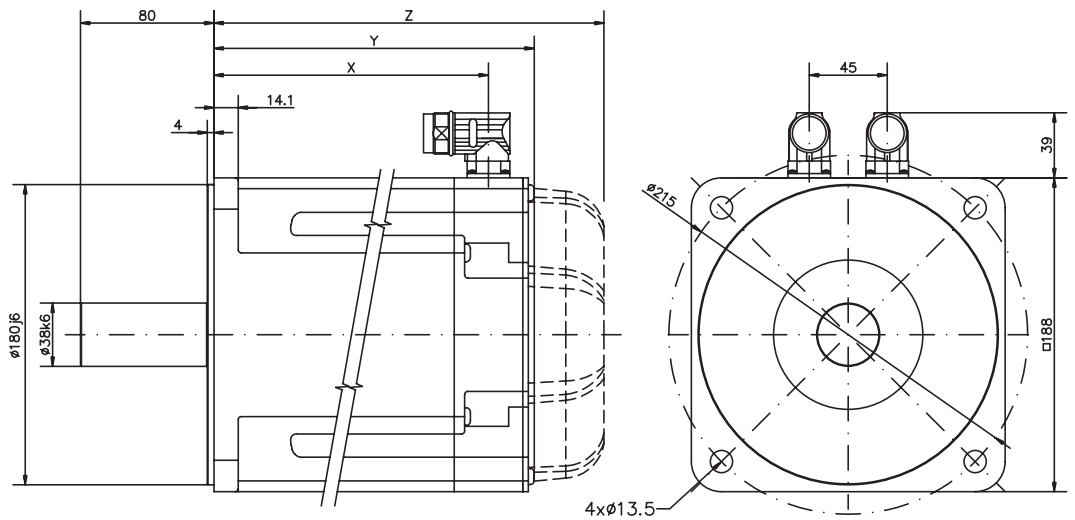
Brake data

Data	Symbol [Unit]	Value
Holding torque @ 120°C	M_{BR} [Nm]	53
Operating voltage	U_{BR} [VDC]	24 ± 10 %
electrical power	P_{BR} [W]	35.6
Moment of inertia	J_{BR} [kgcm ²]	1.64
Release delay time	t_{BRH} [ms]	110
Application delay time	t_{BRL} [ms]	35
Weight of the brake	G_{BR} [kg]	2.1
Typical backlash	[°mech.]	0.2

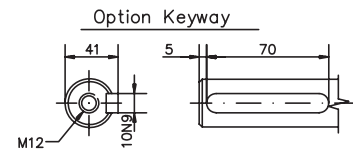
Connections and cables

Data	AKM7
Power connection	4 + 4 poles, round, angular
Motorcable, shielded	4 x 2.5
Motor cable with control leads, shielded	4 x 2.5 + 2 x 1
Steueradern, geschirmt	4 x 1
Resolver connection	12 poles, round, angular
Resolver cable, shielded	4 x 2 x 0.25mm ²
Encoder connection (option)	17-polig, rund
Encoder cable, shielded	7 x 2 x 0.25mm ²

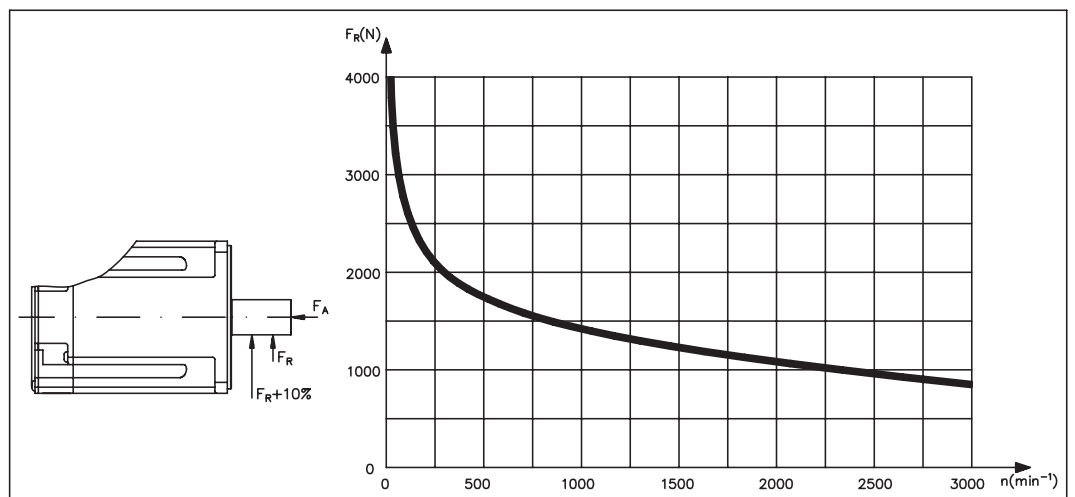
Dimensions (drawing in principle)



Model	X	Resolver/Comcoder		Encoder	
		Y	Z (brake)	Y	Z (brake)
AKM72	164.5	192.5	234.5	201.7	253.3
AKM73	198.5	226.5	268.5	235.7	287.3
AKM74	232.5	260.5	302.5	269.7	321.3



Radial forces at the shaft end



This page has been deliberately left blank.

11 Appendix

11.1 Assignment of RediMount gearhead mounts

AKM Motor	RediMount	Flange length] in. (mm)
AKM1xx - Ax	RM060-130	1.38 (35.1)
AKM1xx - Bx	RM060-311	1.47 (37.3)
AKM1xx - Cx	RM060-XXX	in preparation
AKM2xx - Ax	RM060-6	1.22 (31.0)
	RM075-6	in preparation
	RM090-6	2.47 (62.7)
	RM100-6	in preparation
AKM2xx - Bx	RM060-11	1.22 (31.0)
	RM075-11	in preparation
	RM090-11	2.47 (62.7)
	RM100-11	in preparation
AKM2xx - Cx	RM060-343	1.22 (31.0)
	RM075-343	1.69 (42.9)
	RM090-343	1.74 (44.1)
	RM100-343	2.47 (62.7)
	RM115-343	1.93 (48.9)
AKM2xx - Dx	RM060-XXX	in preparation
	RM075-XXX	in preparation
	RM090-XXX	in preparation
	RM100-XXX	in preparation
AKM2xx - Ex	RM060-11	1.22 (31.0)
	RM075-11	in preparation
	RM090-11	2.47 (62.7)
	RM100-11	in preparation
AKM3xx - Ax	RM060-19	1.22 (31.0)
	RM075-19	1.69 (42.9)
	RM090-19	1.74 (44.1)
	RM100-19	2.32 (58.9)
AKM3xx - Cx	RM060-XXX	in preparation
	RM075-XXX	in preparation
	RM090-XXX	in preparation
	RM100-XXX	in preparation
AKM3xx - Gx	RM060-20	1.22 (31.0)
	RM075-20	1.69 (42.9)
	RM090-20	1.74 (44.1)
AKM4xx - Ax	RM075-40	1.69 (42.9)
	RM090-40	1.74 (44.1)
	RM100-40	1.72 (43.7)
	RM115-40	1.93 (48.9)
AKM4xx - Bx	RM075-307	in preparation
	RM090-307	2.47 (62.7)
	RM100-307	in preparation
	RM115-307	1.93 (48.9)
AKM4xx - Cx	RM075-124	1.69 (42.9)
	RM090-124	1.74 (44.1)
	RM100-124	1.72 (43.7)
	RM115-124	1.93 (48.9)
AKM4xx - Ex	RM075-28	1.69 (42.9)
	RM090-28	1.74 (44.1)
	RM100-28	1.72 (43.7)
	RM115-28	1.93 (48.9)
AKM4xx - Gx	RM075-37	1.69 (42.9)
	RM090-37	1.74 (44.1)
	RM100-37	1.72 (43.7)
	RM115-37	1.93 (48.9)
AKM4xx - Hx	RM075-25	1.69 (42.9)
	RM090-25	1.74 (44.1)
	RM100-25	1.72 (43.7)
	RM115-25	1.93 (48.9)

AKM Motor	RediMount	Flange length] in. (mm)
AKM4xx - Kx	RM075-105	1.69 (42.9)
	RM090-105	1.74 (44.1)
	RM100-105	1.72 (43.7)
	RM115-105	1.93 (48.9)
AKM5xx - Ax	RM090-71	2.47 (62.7)
	RM100-71	1.72 (43.7)
	RM115-71	1.93 (48.9)
	RM142-71	2.74 (69.6)
	RM180-71	3.60 (91.4)
AKM5xx - Bx	RM090-72	2.47 (62.7)
	RM100-72	2.08 (52.8)
	RM115-72	2.36 (59.9)
	RM142-72	2.74 (69.6)
AKM5xx - Cx	RM090-53	in preparation
	RM100-53	in preparation
	RM115-53	2.36 (59.9)
	RM142-53	in preparation
AKM5xx - Dx	RM090-XXX	in preparation
	RM100-XXX	in preparation
	RM115-XXX	in preparation
	RM142-XXX	in preparation
AKM5xx - Gx	RM090-69	2.47 (62.7)
	RM100-69	1.72 (43.7)
	RM115-69	1.93 (48.9)
	RM142-69	2.74 (69.6)
AKM5xx - Hx	RM090-52A	1.74 (44.1)
	RM100-52	1.72 (43.7)
	RM115-52	2.36 (59.9)
	RM142-52	2.74 (69.6)
AKM6xx - Ax	RM115-92	in preparation
	RM142-92	3.21 (81.5)
	RM180-92	3.60 (91.4)
	RM220-92	2.74 (69.5)
AKM6xx - Gx	RM115-88	2.36 (59.9)
	RM142-88	3.21 (81.5)
	RM180-88	3.60 (91.4)
	RM220-88	in preparation
AKM6xx - Kx	RM115-83	2.36 (59.9)
	RM142-83	2.74 (69.6)
	RM180-83	in preparation
	RM220-83	in preparation
AKM6xx - Lx	RM115-XXX	in preparation
	RM142-XXX	in preparation
	RM180-XXX	in preparation
	RM220-XXX	in preparation
AKM7xx - Ax	RM142-114S	3.36 (85.3)
	RM180-114	3.60 (91.4)
	RM220-114	2.74 (69.6)
AKM7xx - Gx	RM142-107	3.36 (85.3)
	RM180-107	3.60 (91.4)
	RM220-107	2.74 (69.9)
AKM7xx - Kx	RM142-96	3.36 (85.3)
	RM180-96	3.60 (91.4)
	RM220-96	in preparation

11.2 Assignment of Micron Gearheads to RediMount mounts

These gearheads can be fitted to RediMount:

RediMount Mount	Micron gearhead
RM060	DT60, DTR60, DTRS60, DTRH60, NT23, NTP23, NT60, NTR23, UT006, UTR006, EQ23, EQ60
RM075	UT075, UTR075, UT090, UTR090
RM090	DT90, DTR90, DTRS90, DTRD90, DTRH90, NT34, NTP34, NT90, NTR34
RM100	UT010, UTR010, ET010, UT115, UTR115
RM115	DT115, DTR115, DTRS115, DTRD115, DTRH115, NT42, NTP42, NT115, NTR42
RM142	DT142, DTR142, DTRS142, DTRD142, DTRH142, NT142, UT014, UTR014, ET014
RM180	UT018, UTR018, ET018
RM220	UT220

You can find further information on Redimount and Micron gearheads on our website.

11.3

Index

A	Abbreviations	5	N	Nameplate	10
	AKM1	28	O	Options	15
	AKM2	30	P	Packaging	9
	AKM3	32		Peak current	27
	AKM4	34		Pole numbers	14
	AKM5	36		Power derating	12
	AKM6	38		Protection class	13
	AKM7	40		Protective device	13
	Ambient temperature	12	R	Radial force	13
	Axial force	13		Rated torque	27
B	BISS	23		Resolver	19
	Break response times	27		Resolver cable	18
C	Cleaning	9		Rotor moment of inertia	27
	ComCoder	22	S	Safety notes	6
	Connection method	14		Setup	25
	Coupling	13		SFD	21
D	Delivery package	10		Shaft end	13
	Disposal	9		Standstill current	27
E	EC Declaration of Conformity	8		Standstill torque	27
	Encoder	20		Storage	9
F	Feedback unit	14		Style	13
	Flange	13		Symbols	5
G	Gearhead mount	43	T	Target group	5
	Ground symbol	17		Thermal time constant	27
H	Holding brake	14		Torque constant	27
I	Installation			Transport	9
	electrical	17		Trouble shooting	26
	mechanical	16	U	Use as directed	7
	Insulation material class	13	V	Vibration class	14
M	Maintenance	9		Voltage constant	27
	Manufacturer Declaration	5	W	Wiring diagrams	19
	Model number	11			
	Motor cable	18			
	Motor design	12			

Sales and Service

We are committed to quality customer service. In order to serve in the most effective way, please contact your local sales representative for assistance.
If you are unaware of your local sales representative, please contact us.

Europe

Danaher Motion Customer Support Europe

E-Mail support_dus.germany@danahermotion.com

Internet www.DanaherMotion.net

Tel.: +49(0)203 - 99 79 - 0

Fax: +49(0)203 - 99 79 - 216

North America

Danaher Motion Customer Support North America

Internet www.DanaherMotion.com

E-Mail DMAC@danahermotion.com

Phone: +1 - 540 - 633 - 3400

Fax: +1 - 540 - 639 - 4162

