

AKD[®]2G

Safety Notes

This document presents the safety information for AKD2G series of digital drives.

For complete information refer to the user documents for the AKD2G series of drives. Download the AKD2G Installation Manuals and all Kollmorgen user documents from:

AKD2G



www.kollmorgen.com/kdn/akd2g

Safety Notes Edition: C, July 2022

Part Number: 907-200026-99



For safe and proper use, follow these instructions. Keep for future use.

For environmental reasons, this document was reduced in size and printed on DIN A5. Should you experience difficulties reading the font size of the scaled-down printed version, you can print and use the PDF version in DIN A4 format 1:1. You can find the PDF version on the DVD accompanying the product and on the Kollmorgen website.

Contents

 Safety Notes English	(→ # 3)	 Safety Notes Português	(→ # 36)
 Safety Notes Deutsch	(→ # 11)	 Safety Notes Español	(→ # 44)
 Safety Notes Français	(→ # 19)	 Safety Notes Русский	(→ # 52)
 Safety Notes Italiano	(→ # 28)	 Safety Notes 中国	(→ # 60)

Approvals (English)	(→ # 68)	Package supplied (English)	(→ # 71)
---------------------	----------	----------------------------	----------

Documents available from www.kollmorgen.com

- **Installation Manual** (PDF format):
This manual provides instructions for installation and drive setup.
- **Accessories Manual** (PDF format):
It provides information for accessories like cables and regen resistors used with AKD2G. Regional variants of this manual exist.
- **CAN-BUS Communication** (PDF format):
Describes how to use your drive in CANopen applications.
- **EtherCAT Communication** (PDF format):
Describes how to use your drive in EtherCAT applications.
- **PROFINET RT/IRT Communication** (PDF format):
Describes how to use your drive in PROFINET RT/IRT applications.
- **WorkBench Online help** (WebHelp format):
Describes how to use your drive in common applications. It also provides tips for maximizing your system performance with the AKD2G. The online help includes the *Parameter and Command Reference Guide* which provides information for the parameters and commands used to program the AKD2G.

Technical changes which improve the performance of the device may be made without prior notice!

This document is the intellectual property of Kollmorgen. All rights reserved. No part of this work may be reproduced in any form (by photocopying, microfilm or any other method) or stored, processed, copied or distributed by electronic means without the written permission of Kollmorgen.

1 English

1.1 Product Safety	4
1.1.1 You should pay attention to this	4
1.1.2 Use as Directed	6
1.1.3 Prohibited Use	7
1.1.4 Warning note labels	7
1.2 Product life cycle handling	8
1.2.1 Transport	8
1.2.2 Packaging	8
1.2.3 Storage	8
1.2.4 Installation, setup and normal operation	9
1.2.5 Decommissioning	9
1.2.6 Maintenance and cleaning	9
1.2.7 Disassembly	9
1.2.8 System Repair	10
1.2.9 Disposal	10

1.1 Product Safety

1.1.1 You should pay attention to this

Specialist staff required!

The devices are intended for industrial applications. Machine builders must employ qualified personnel. Qualified personnel are people who have been trained to transport, install, commission and operate electrical drives.

- Transport, storage, unpacking: only by personnel with knowledge of handling electrostatically sensitive components.
- Mechanical installation: only by personnel with mechanical expertise.
- Electrical installation: only by personnel with expertise in electrical engineering.
- Basic tests / setup: only by personnel with expertise in electrical engineering and drive technology.

The qualified personnel must know and observe ISO 12100 / IEC 60364 / IEC 60664 and national accident prevention regulations.

Read the documentation!

Read the available documentation before installation and commissioning. Improper handling of the devices can cause harm to people or damage to property. The operator of systems using the drive system must ensure that all personnel who work with the drive read and understand the manual before using the drive.

Check Hardware Revision!

Check the Hardware Revision Number of the product (see product label). This number is the link between your product and the manual. The product Hardware Revision Number must match the Hardware Revision Number on the cover page of the manual.

Pay attention to the technical data!

Adhere to the technical data and the specifications on connection conditions. If permissible voltage values or current values are exceeded, the devices can be damaged. Unsuitable motor or wrong wiring will damage the system components. Check the combination of drive and motor. Compare the rated voltage and current of the units.

Perform a risk assessment!

The manufacturer of the machine must generate a risk assessment for the machine, and take appropriate measures to ensure that unforeseen movements cannot cause injury or damage to any person or property. Additional requirements on specialist staff may also result from the risk assessment.

Automatic restart

The drive might restart automatically after power on, voltage dip or interruption of the supply voltage, depending on the parameter setting. Risk of death or serious injury for humans working in the machine.

If the parameter `AXIS#.ENDEFAULT` is set to 1, then place a warning sign to the machine (Warning: Automatic Restart at Power On) and ensure, that power on is not possible, while humans are in a dangerous zone of the machine. In case of using an undervoltage protection device, you must observe EN 60204-1:2006 chapter 7.5 .

ATTENTION: The drive is ready to operate with pre-configured STO function.



Observe electrostatically sensitive components!

The devices contain electrostatically sensitive components which may be damaged by incorrect handling. Electrostatically discharge your body before touching the device. Avoid contact with highly insulating materials (artificial fabrics, plastic film etc.). Place the device on a conductive surface.

**Hot surface!**

Drives may have hot surfaces during operation. The housing can reach temperatures above 80°C. Risk of minor burns! Measure the temperature, and wait until the housing has cooled down below 40 °C before touching it.

**Earthing!**

It is vital that you ensure that the drive is safely earthed to the PE (protective earth) busbar in the switch cabinet. Risk of electric shock. Without low-resistance earthing no personal protection can be guaranteed.

Leakage Current!

Since the leakage current to PE is more than 3.5 mA, in compliance with IEC61800-5-1 the PE connection must either be doubled or a connecting cable with a cross-section >10 mm² must be used. Deviating measures according to regional standards might be possible.

**High voltages!**

The equipment produces high electric voltages up to 900 V. Lethal danger exists at live parts of the device. Do not open or touch the equipment during operation. Keep all covers and cabinet doors closed. Built-in protection measures such as insulation or shielding may not be removed. Work on the electrical installation may only be performed by trained and qualified personnel, in compliance with the regulations for safety at work, and only with switched off mains supply, and secured against restart.

Never undo any electrical connections to the drive while it is live. There is a danger of electrical arcing with damage to contacts and personal injury. Wait at least 5 minutes after disconnecting the drive from the main supply power before touching potentially live sections of the equipment (such as contacts) or removing any connections.

Always measure the voltage in the DC bus link and wait until the voltage is below 50 V before handling components.

Functional Safety!

The assessment of the safety functions according to EN13849 or EN 62061 must finally be done by the user.

Reinforced Insulation

Thermal sensors, motor holding brakes and feedback systems built into the connected motor must have reinforced insulation (according to IEC61800-5-1) against system components with power voltage, according to the required application test voltage. All Kollmorgen components meet these requirements.

Never modify the drive!

It is not allowed to modify the drive hardware without permission by the manufacturer. Opening the housing causes loss of warranty.

1.1.2 Use as Directed

The AKD2G drives are exclusively intended for driving suitable synchronous servomotors with closed-loop control of torque, speed, and/or position.

AKD2G are components that are built into electrical plants or machines and can only be operated as integral components of these plants or machines. The manufacturer of the machine used with a drive must generate a risk assessment for the machine. When the drives are built into machines or plant, the drive must not be used until it has been established that the machine or plant fulfills the requirements of the regional directives.

Cabinet and wiring

Drives must only be operated in a closed control cabinet suitable for the ambient conditions. Ventilation or cooling may be necessary to keep the temperature within the cabinet below 40 °C or 60 °C if using extended range operation with derating.

Use only copper conductors for wiring. The conductor cross-sections can be derived from the standard IEC 60204 (alternatively for AWG cross-sections: NEC Table 310-16, 75 °C column).

Power supply

The drives can be supplied by 1, 2 or 3 phase (TN-S or TT) or DC industrial supply networks.

Drives in the AKD2G series can be supplied as follows:

- AKD2G-Sxx-6Vxx:
1, 2 or 3 phase industrial supply networks (not more than 10 kA symmetrical rated current at 120 V and 240 V) or DC supply.
- AKD2G-Sxx-7Vxx:
3 phase industrial supply networks (not more than 10 kA symmetrical rated current at 240 V, 400 V and 480 V) or DC supply.

Connection to other voltage types of supply networks is possible with an additional isolating transformer.

Repeated overvoltages between phases (L1, L2, L3) and the housing of the drive must not exceed 1000 V peak. In accordance with IEC 61800, voltage spikes (< 50 µs) between phases must not exceed 1000 V. Voltage spikes (< 50 µs) between a phase and the housing must not exceed 2000 V.

Motor voltage rating

The rated voltage of the motors must be at least as high as the DC bus link voltage divided by $\sqrt{2}$ produced by the drive ($U_{nMotor} \geq U_{DC}/\sqrt{2}$).

Functional Safety

NOTICE

- The network, to which the drive is connected, must be secured according to state-of-the-art information technology security requirements.
- The user IT specialists shall analyze whether further security requirements are applicable to ensure functional safety.

1.1.3 Prohibited Use

Other use than that described in chapter “Use as directed” is not intended and can lead to personnel injuries and equipment damage. The drive may not be used with a machine that does not comply with appropriate national directives or standards. The use of the drive in the following environments is also prohibited:

- potentially explosive areas
- environments with corrosive and/or electrically conductive acids, alkaline solutions, oils, vapors, dusts
- ships or offshore applications

NOTICE

The drive must not be connected directly to the Internet. If the network, to which the drive is connected, is not secured according to state-of-the-art information technology, this could be a functional safety risk.

1.1.4 Warning note labels

1.1.4.1 Notes placed on the product



1.1.4.2 Adhesive label in the package

NOTICE

Follow the instructions given on the adhesive labels in the package. If a warning note label is damaged, it must be replaced immediately.

1.2 Product life cycle handling

1.2.1 Transport

Transport the AKD2G in accordance with IEC 61800-2 as follows:

- Transport only by qualified personnel in the manufacturer's original recyclable packaging.
- **NOTICE:** Avoid shocks while transporting.
- Vibration/Shock: AKD2G is tested for environmental class 2M1 of IEC 60721-3-2.
- Store at or below maximum stacking height 8 cartons (see "Storage" (→ # 8))
- Transport only within specified temperature ranges:
-25 to +70 °C, max. rate of change 20 K/hour, class 2K3.
- Transport only within specified humidity:
max. 95% relative humidity at +40°C, no condensation, class 2K3.

NOTICE

The drives contain electrostatically sensitive components that can be damaged by incorrect handling. Electrostatically discharge yourself before touching the drive. Avoid contact with highly insulating materials, such as artificial fabrics and plastic films. Place the drive on a conductive surface.

If the packaging is damaged, check the unit for visible damage. Inform the shipper and the manufacturer of any damage to the package or product.

1.2.2 Packaging

The AKD2G packaging consists of recyclable cardboard with inserts and a label on the outside of the box.

Model	Package (mm) HxWxL	Total Weight (kg)
AKD2G-Sxx-6V03 to 6V12	158 x 394 x 292	4.2
AKD2G-Sxx-7V03 to 7V12	158 x 394 x 292	4.3

NOTE

Mating connectors are **not** included in the package of a standard drive.

Mating connectors are included when the drive is ordered with accessories (append "-A" to the model number).

1.2.3 Storage

Store the AKD2G in accordance with IEC 61800-2 as follows:

- Store only in the manufacturer's original recyclable packaging.
- Store at or below maximum stacking height 8 cartons.
- Store only within specified temperature ranges: -25 to +55 °C, max.rate of change 20 K/hour, class 1K4.
- Storage only within specified humidity: 5 to 95% relative humidity, no condensation, class 1K3.
- Store in accordance with the following duration requirements:
 - Less than 1 year: without restriction.
 - More than 1 year: capacitors must be re-formed before setting up and operating the drive. Re-forming procedures are described in the KDN ([Forming](#)).

1.2.4 Installation, setup and normal operation

Installation and setup information are given in the Installation Manual.

Normal operation tested for environmental class 3K3 according to IEC 61800-2 .

The manufacturer of the machine defines the necessary end user expertise based on the risk assessment for the machine and describes the requirements for normal operation based on the application.

1.2.5 Decommissioning

NOTICE

Only professional staff who are qualified in electrical engineering are allowed to decommission parts of the system.

DANGER: Lethal Voltages!

There is a danger of serious personal injury or death by electrical shock or electrical arcing.

- Switch off the main switch of the switchgear cabinet.
- Secure the system against restarting.
- Block the main switch.
- Wait at least 5 minutes after disconnecting.

1.2.5.1 Volatile and non-volatile memory

For Letter of Volatility go to [Letter of Volatility for AKD2G Drives](#).

1.2.6 Maintenance and cleaning

The device does not require maintenance, it should be inspected once a year by professional staff.

NOTICE

Do not immerse or spray the device. Avoid that liquid enters the device. The inside of the unit can only be cleaned by the manufacturer. Opening the device voids the warranty.

To clean the device exterior:

1. Decommission the device (see chapter 1.2.5 "Decommissioning").
2. Casing: Clean with Isopropanol or similar cleaning solution.

Caution : Highly Flammable! Risk of injury by explosion and fire.

- Observe the safety notes given on the cleaning liquid package.
 - Wait at least 30 minutes after cleaning before putting the device back into operation.
3. Protective grill on fan: Clean with a dry brush.

1.2.7 Disassembly

NOTICE

Only professional staff who are qualified in electrical engineering are allowed to disassemble parts of the system.

1. Decommission the device (see chapter 1.2.5 "Decommissioning").
2. Check temperature.

CAUTION: High Temperature! Risk of minor burns. During operation, the heat sink of the drive may reach temperatures above 80 °C (176 °F). Before touching the device, check the temperature and wait until it has cooled below 40 °C (104 °F).

3. Remove the connectors. Disconnect the potential earth connection last.
4. Demount: loosen the fastening screws. Remove the device.

1.2.8 System Repair

NOTICE

Only professional staff who are qualified in electrical engineering are allowed to exchange parts of the drive system.

CAUTION: Automatic Start! During replacement work a combination of hazards and multiple episodes may occur.

- Work on the electrical installation may only be performed by trained and qualified personnel, in compliance with the regulations for safety at work, and only with use of prescribed personal safety equipment.

Exchange of the device

Only the manufacturer can repair the device. Opening the device voids the warranty.

1. Decommission the device (see chapter 1.2.5 "Decommissioning").
2. Demount the device (see chapter 1.2.7 "Disassembly").
3. Send the device to the manufacturer.
4. Install a new device as described in the Installation Manual.
5. Setup the system as described in the Installation Manual.

Exchange of other drive system parts

If parts of the drive system (for example cables) must be replaced, proceed as follows:

1. Decommission the device (see chapter 1.2.5 "Decommissioning").
2. Exchange the parts.
3. Check all connections for correct fastening.
4. Setup the system as described in the Installation Manual.

1.2.9 Disposal

NOTICE

To dispose the unit properly, contact a certified electronic scrap disposal merchant.

In accordance with the WEEE-2012/19/EU guideline and similar, the manufacturer accepts returns of old devices and accessories for professional disposal. Transport costs are the responsibility of the sender.

Contact Kollmorgen and clarify the logistics.

Send the devices in the original packaging to the manufacturer address:

North America KOLLMORGEN 201 West Rock Road Radford, VA 24141, USA	South America KOLLMORGEN Avenida João Paulo Ablas, 2970 Jardim da Glória, Cotia – SP CEP 06711-250, Brazil
Europe KOLLMORGEN Europe GmbH Pempelfurtstr. 1 40880 Ratingen, Germany	Asia KOLLMORGEN Room 302, Building 5, Lihpao Plaza, 88 Shenbin Road, Minhang District, Shanghai, China.

2 Deutsch

2.1 Produktsicherheit	12
2.1.1 Das müssen Sie beachten	12
2.1.2 Bestimmungsgemäße Verwendung	14
2.1.3 Bestimmungswidrige Verwendung	15
2.1.4 Warnaufkleber	15
2.2 Produkt Lebenszyklus, Handhabung	16
2.2.1 Transport	16
2.2.2 Verpackung	16
2.2.3 Lagerung	16
2.2.4 Installation, Setup und Normalbetrieb	17
2.2.5 Außer Betrieb nehmen	17
2.2.6 Wartung und Reinigung	17
2.2.7 Demontage	17
2.2.8 System Reparatur	18
2.2.9 Entsorgung	18

2.1 Produktsicherheit

2.1.1 Das müssen Sie beachten

Fachpersonal erforderlich

Die Geräte sind für industrielle Anwendungen bestimmt. Maschinenbauer müssen qualifiziertes Personal einsetzen. Qualifiziertes Personal sind Personen, die für Transport, Installation, Inbetriebnahme und Betrieb von elektrischen Antrieben ausgebildet sind.

- Transport, Lagerung, Auspacken: nur durch Personal mit Kenntnissen in der Behandlung elektrostatisch gefährdeter Bauelemente.
- Mechanische Installation: nur durch Personal mit Kenntnissen in mechanischen Arbeiten.
- Elektrische Installation: nur durch Personal mit Kenntnissen in elektrotechnischen Arbeiten.
- Inbetriebnahme: nur durch Fachleute mit weitreichenden Kenntnissen in den Bereichen Elektrotechnik und Antriebstechnik.

Das Fachpersonal muss ebenfalls ISO 12100 / IEC 60364 / IEC 60664 und nationale Unfallverhütungsvorschriften kennen und beachten.

Dokumentation lesen

Lesen Sie vor der Montage und Inbetriebnahme die vorliegende Dokumentation. Falsches Handhaben der Geräte kann zu Personen- oder Sachschäden führen. Der Betreiber muss daher sicherstellen, dass alle mit Arbeiten am Antriebssystem betrauten Personen das Handbuch gelesen und verstanden haben und dass die Sicherheitshinweise in diesem Handbuch beachtet werden.

Hardware Revision prüfen

Prüfen Sie die Hardware-Revisionsnummer des Produkts (siehe Typenschild). Die Nummer ist die Verknüpfung zwischen dem Produkt und dem Handbuch. Diese Revisionsnummer muss mit der Hardware-Revisionsnummer auf dem Deckblatt der Betriebsanleitung übereinstimmen.

Technische Daten beachten

Halten Sie die technischen Daten und die Angaben zu den Anschlussbedingungen ein. Wenn zulässige Spannungswerte oder Stromwerte überschritten werden, können die Geräte geschädigt werden. Ein ungeeigneter Motor oder fehlerhafte Verdrahtung beschädigen die Systemkomponenten. Prüfen Sie die Kombination aus Servoverstärker und Motor. Gleichen Sie die Nennspannung und den Nennstrom der Komponenten ab.

Risikobeurteilung erstellen

Der Hersteller der Maschine muss eine Risikobeurteilung für die Maschine erstellen und geeignete Maßnahmen treffen, dass unvorhergesehene Bewegungen nicht zu Verletzungen oder Sachschäden führen können. Aus der Risikobeurteilung leiten sich eventuell auch zusätzliche Anforderungen an das Fachpersonal ab.

Automatischer Wiederanlauf

Der Antrieb kann abhängig von der Parametereinstellung nach dem Einschalten der Netzspannung, bei Spannungseinbrüchen oder Unterbrechungen automatisch anlaufen. Es besteht die Gefahr von tödlichen oder schweren Verletzungen für Personen, die in der Maschine arbeiten.

Wenn der Parameter `AXIS#.ENDEFAULT` auf 1 gesetzt ist, warnen Sie an der Maschine mit einem Warnschild (Warnung: Automatischer Wiederanlauf nach Einschalten!) und stellen Sie sicher, dass ein Einschalten der Netzspannung nicht möglich ist, während sich Personen im gefährdeten Bereich der Maschine aufhalten. Wenn Sie einen Unterspannungsschutz benutzen, beachten Sie Kapitel 7.5 der EN 60204-1:2006.

ACHTUNG: Der Servoverstärker ist betriebsbereit mit vorkonfigurierter STO Funktion.



Elektrostatisch empfindliche Bauteile

Die Geräte enthalten elektrostatisch gefährdete Komponenten, die durch unsachgemäßen Gebrauch beschädigt werden können. Entladen Sie Ihren Körper elektrostatisch, bevor Sie das Gerät berühren. Vermeiden Sie es, hoch isolierende Stoffe zu berühren (Kunstfasern, Plastikfolie usw.). Legen Sie das Gerät auf eine leitfähige Oberfläche.



Heiße Oberfläche

Die Oberflächen von Verstärkern können im Betrieb sehr heiß werden. Das Gehäuse kann Temperaturen über 80 °C erreichen. Gefahr leichter Verbrennungen. Messen Sie die Temperatur. Warten Sie, bis das Gehäuse auf unter 40 °C abgekühlt ist, bevor Sie es berühren.



Erdung

Stellen Sie die ordnungsgemäße Erdung des Gerätes mit der PE-Schiene im Schaltschrank als Bezugspotential sicher. Gefahr durch elektrischen Schlag. Ohne niederohmige Erdung ist keine personelle Sicherheit gewährleistet.

Ableitstrom

Da der Ableitstrom zu PE mehr als 3,5 mA beträgt, muss in Übereinstimmung mit der Norm EN61800-5-1 der PE-Anschluss entweder doppelt ausgeführt oder ein Anschlusskabel mit einem Querschnitt von >10 mm² verwendet werden. Abweichende Maßnahmen sind in Übereinstimmung mit regionalen Vorschriften möglich.



Hohe Spannungen

Die Geräte erzeugen hohe elektrische Spannungen bis zu 900 V. Tödliche Gefahr an stromführenden Geräteteilen. Öffnen oder berühren Sie die Geräte während des Betriebs nicht. Halten Sie alle Abdeckungen und Schaltschranktüren geschlossen. Eingebaute Schutzmaßnahmen wie Isolation oder Schirmung dürfen nicht entfernt werden. Arbeiten an der elektrischen Installation sollen nur von geschultem und qualifizierten Personal unter Beachtung der Arbeitssicherheitsbestimmungen bei abgeschalteter und gegen Wiedereinschalten gesicherter Netzspannung durchgeführt werden.

Trennen Sie nie die elektrischen Verbindungen zum Servoverstärker, während dieser Spannung führt. Es besteht die Gefahr von Lichtbogenbildung mit Verletzungsgefahr (Verbrennungen oder Erblindung) und Schäden an Kontakten. Warten Sie nach dem Trennen des Verstärkers von der Stromquelle mindestens 5 Minuten, bevor Sie Geräteteile, die potenziell Spannung führen (z. B. Kontakte), berühren oder Anschlüsse trennen.

Messen Sie stets die Spannung am DC-Bus-Zwischenkreis und warten Sie, bis die Spannung unter 50 V gesunken ist, bevor Sie Komponenten berühren.

Funktionale Sicherheit!

Die abschließende Beurteilung der funktionalen Sicherheit gemäß EN13849 oder EN 62061 muss der Anwender durchführen.

Verstärkte Isolierung

Im Motor eingebaute Temperaturfühler, Motorhaltebremsen und Rückführsysteme müssen mit einer verstärkten Isolierung (gem. EN 61800-5-1) gegenüber Systemkomponenten mit Leistungsspannung versehen sein, entsprechend der geforderten Prüfspannung der Applikation. Alle Kollmorgen Komponenten entsprechen diesen Anforderungen.

Geräte nicht verändern

Veränderung an der Servoverstärker Hardware ohne Erlaubnis des Herstellers sind nicht zulässig. Öffnen der Geräte bedeutet Verlust der Gewährleistung.

2.1.2 Bestimmungsgemäße Verwendung

Die AKD2G Servoverstärker sind ausschließlich zum Antrieb von geeigneten Synchron-Servomotoren mit geschlossenem Drehmoment-, Drehzahl- und/oder Positionsregelkreis vorgesehen.

AKD2G Servoverstärker sind Komponenten, die in elektrische Anlagen oder Maschinen eingebaut werden und nur als integrierte Bestandteile dieser Anlagen oder Maschinen betrieben werden können. Der Hersteller der Maschine muss eine Risikoanalyse der Maschine erstellen. Wenn die Servoverstärker in Maschinen oder Anlagen eingebaut werden, darf der Antrieb nicht verwendet werden, bis sichergestellt wurde, dass die Maschine oder Anlage die regionalen Richtlinien erfüllt.

Schaltschrank und Verkabelung

Servoverstärker dürfen nur in geschlossenen Schaltschränken betrieben werden, die sich für die Umgebungsbedingungen eignen. Um die Temperatur innerhalb des Schaltschranks unter 40 °C zu halten (oder unter 60 °C bei Betrieb mit Stromreduzierung), ist möglicherweise eine Belüftung oder Kühlung erforderlich.

Verwenden Sie für die Verdrahtung ausschließlich Kupferleiter. Der Leiterquerschnitt kann von der Norm EN 60204 abgeleitet werden (alternativ für AWG-Leiterquerschnitte: NEC-Tabelle 310-16, Spalte 75 °C).

Spannungsversorgung

Die Servoverstärker können von 1, 2 oder 3 phasigen industriellen AC Netzen (TN-S oder TT) oder DC Netzen versorgt werden.

Die Servoverstärker der AKD2G Serie können wie folgt versorgt werden:

- AKD2G-Sxx-6Vxx:
1-, 2- oder 3-phasige industrielle Versorgungsnetze (maximaler symmetrischer Nennstrom bei 120 V und 240 V: 10 kA) oder Gleichspannung.
- AKD2G-Sxx-7Vxx:
3-phasige industrielle Versorgungsnetze (maximaler symmetrischer Nennstrom bei 240 V, 400 V und 480 V: 10 kA) oder Gleichspannung.

Der Anschluss an Versorgungsnetze mit anderen Spannungen ist mit einem zusätzlichen Trenntransformator möglich.

Periodische Überspannungen zwischen Außenleitern (L1, L2, L3) und Gehäuse des Servoverstärkers dürfen 1000V (Amplitude) nicht überschreiten. Gemäß EN 61800 dürfen Spannungsspitzen (< 50µs) zwischen den Außenleitern 1000V nicht überschreiten. Spannungsspitzen (< 50µs) zwischen Außenleitern und Gehäuse dürfen 2000V nicht überschreiten.

Motor-Nennspannung

Die Nennspannung der Motoren muss mindestens so hoch sein wie die vom Servoverstärker erzeugte DC-Zwischenkreisspannung geteilt durch $\sqrt{2}$ ($U_{nMotor} \geq U_{DC}/\sqrt{2}$).

Safety

ACHTUNG

- Das Netzwerk, an das der Servoverstärker angeschlossen ist, muss entsprechend dem Stand der Informationstechnik geschützt sein.
- IT Spezialisten des Anwenders müssen analysieren, ob weitere Sicherheitsmaßnahmen erforderlich sind, um die funktionale Sicherheit zu gewährleisten.

2.1.3 Bestimmungswidrige Verwendung

Eine andere Verwendung als in Kapitel "Bestimmungsgemäße Verwendung" beschrieben ist nicht bestimmungsgemäß und kann zu Schäden bei Personen, Gerät oder Sachen führen. Der Servoverstärker darf nicht mit Maschinen verwendet werden, die nicht den geltenden nationalen Richtlinien oder Normen entsprechen. Die Verwendung des Servoverstärkers in den folgenden Umgebungen ist ebenfalls untersagt:

- explosionsgefährdete Bereiche,
- Umgebungen korrosiven und/oder elektrisch leitenden Säuren, alkalischen Lösungen, Ölen, Dämpfen und Staub,
- Schiffe oder Offshore-Anwendungen.

ACHTUNG

Der Servoverstärker darf nicht direkt mit dem Internet verbunden werden. Wenn das Netzwerk, an das der Servoverstärker angeschlossen ist, nicht entsprechend dem Stand der Informationstechnik geschützt ist, kann dies ein Risiko für die funktionale Sicherheit darstellen.

2.1.4 Warnaufkleber

2.1.4.1 Hinweise auf dem Produkt



2.1.4.2 Aufkleber in der Verpackung

ACHTUNG

Folgen Sie den Anweisungen auf beiliegenden Aufklebern. Beschädigte Warnaufkleber müssen sofort ersetzt werden.

2.2 Produkt Lebenszyklus, Handhabung

2.2.1 Transport

Transportieren Sie den AKD2G gemäß EN 61800-2 wie folgt:

- Transport nur durch qualifiziertes Personal in der wiederverwertbaren Originalverpackung des Herstellers.
- **ACHTUNG:** Stöße vermeiden beim Transport.
- Vibration/Schock: AKD2G ist geprüft für Klasse 2M1 gemäß IEC 60721-3-2.
- Maximal 8 Kartons übereinander stapeln (siehe "Lagerung" (→ # 16)).
- Nur innerhalb der angegebenen Temperaturbereiche transportieren: -25 bis +70 °C max. Änderungsrate 20 K/Stunde, Klasse 2K3.
- Nur innerhalb der angegebenen Feuchtigkeitsbereiche transportieren: max. 95 % relative Luftfeuchtigkeit bei +40°C, nicht kondensierend, Klasse 2K3.

ACHTUNG

Die Servoverstärker enthalten elektrostatisch gefährdete Komponenten, die durch unsachgemäßen Gebrauch beschädigt werden können. Entladen Sie sich elektrostatisch, bevor Sie den Servoverstärker berühren. Vermeiden Sie es, hoch isolierende Stoffe zu berühren (Kunstfasern, Plastikfolie usw.). Legen Sie den Servoverstärker auf eine leitfähige Oberfläche.

Wenn die Verpackung beschädigt ist, prüfen Sie das Gerät auf sichtbare Schäden. Informieren Sie den Spediteur und den Hersteller über Schäden an der Verpackung oder Produkt.

2.2.2 Verpackung

Die AKD2G Verpackung besteht aus recyclingfähigem Karton mit Einsätzen und einem Aufkleber auf der Außenseite der Verpackung.

Modell	Verpackung (mm) HxBxL	Gesamtgewicht (kg)
AKD2G-Sxx-6V03 bis 6V12	158 x 394 x 292	4,2
AKD2G-Sxx-7V03 bis 7V12	158 x 394 x 292	4,3

INFO

Gegenstecker sind **nicht** im Paket des Standardgerätes enthalten.

Gegenstecker sind enthalten, wenn das Gerät mit Zubehör bestellt wurde ("-A" an die Typenbezeichnung anhängen).

2.2.3 Lagerung

Lagern Sie den AKD2G gemäß EN 61800-2 wie folgt:

- Nur in der wiederverwertbaren Originalverpackung des Herstellers lagern.
- Höchstens mit der maximalen Stapelhöhe (8 Kartons) stapeln.
- Nur innerhalb der angegebenen Temperaturbereiche lagern: -25 bis +55 °C, max. Änderungsrate 20 K/Stunde, Klasse 1K4.
- Nur innerhalb der angegebenen Feuchtigkeitsbereiche lagern: 5 bis 95 % relative Luftfeuchtigkeit, nicht kondensierend, Klasse 1K3.
- Gemäß den folgenden Anforderungen für die Lagerungsdauer lagern:
 - Weniger als 1 Jahr: keine Beschränkungen.
 - Mehr als 1 Jahr: Kondensatoren müssen formiert werden, bevor der Servoverstärker in Betrieb genommen wird. Verfahren zur Formierung sind im Kollmorgen Developer Network ([Forming](#)) beschrieben.

2.2.4 Installation, Setup und Normalbetrieb

Information zu Installation und Setup finden Sie in der Betriebsanleitung.

Normalbetrieb wurde getestet für Umgebungsklasse 3K3 gemäß IEC 61800-2 .

Der Hersteller der Maschine definiert die erforderlichen Fachkenntnisse des Endnutzers gemäß der Risikobeurteilung für die Maschine und beschreibt abhängig von der Applikation die Erfordernisse für den normalen Betrieb.

2.2.5 Außer Betrieb nehmen

ACHTUNG

Nur Fachpersonal mit Kenntnissen im Bereich der Elektrotechnik darf Systemkomponenten außer Betrieb nehmen.

GEFAHR: Tödliche Spannung! Es besteht die Gefahr von schweren oder tödlichen Verletzungen durch elektrischen Schlag oder Lichtbogenbildung.

- Schalten Sie den Hauptschalter des Schaltschranks aus.
- Sichern Sie das System gegen Wiedereinschalten.
- Blockieren Sie den Hauptschalter .
- Warten Sie mindestens 5 Minuten nach Abschalten der Spannung.

2.2.6 Wartung und Reinigung

Das Gerät ist wartungsfrei, es muss einmal im Jahr durch Fachpersonal geprüft werden.

ACHTUNG

Das Gerät nicht in Flüssigkeiten tauchen oder besprühen. Vermeiden Sie, dass Flüssigkeit in das Gerät eindringt. Wenn das Gerät geöffnet wird, erlischt die Garantie. Das Innere des Geräts kann nur vom Hersteller gereinigt werden.

So reinigen Sie das Gerät von außen:

1. Nehmen Sie das Gerät außer Betrieb (siehe Kapitel 2.2.5 "Außer Betrieb nehmen").
2. Gehäuse: Mit Isopropanol oder einer ähnlichen Reinigungslösung reinigen.
VORSICHT : Leicht Entflammbar! Gefahr von Verletzung durch Verpuffung und Feuer.
 - Beachten Sie die Sicherheitshinweise auf der Verpackung des Reinigungsmittels.
 - Warten Sie nach der Reinigung mindestens 30 Minuten, bevor Sie das Gerät wieder in Betrieb nehmen.
3. Schutzgitter am Lüfter: Mit einer trockenen Bürste reinigen.

2.2.7 Demontage

ACHTUNG

Nur Fachpersonal mit Kenntnissen im Bereich der Elektrotechnik darf Systemkomponenten demontieren.

1. Nehmen Sie das Gerät außer Betrieb (siehe Kapitel 2.2.5 "Außer Betrieb nehmen").
2. Prüfen Sie die Temperatur.
VORSICHT: Hohe Temperatur! Gefahr leichter Verbrennungen. Im Betrieb kann der Kühlkörper Temperaturen über 80 °C erreichen. Bevor Sie das Gerät berühren, messen Sie die Temperatur und warten Sie, bis der Servoverstärker auf unter 40 °C abgekühlt ist.
3. Entfernen Sie die Stecker. Trennen Sie den PE Anschluss zuletzt.
4. Ausbauen: Lösen Sie die Befestigungsschrauben und entfernen Sie das Gerät.

2.2.8 System Reparatur

ACHTUNG

Nur Fachpersonal mit Kenntnissen im Bereich der Elektrotechnik darf Systemkomponenten austauschen.

VORSICHT: Unerwarteter Anlauf! Bei der Durchführung von Austauscharbeiten kann es zur Kombination von Gefährdungen und multiplen Folgen kommen.

- Arbeiten sind nur unter Beachtung der Vorschriften für Arbeitssicherheit, durch geschultes Personal und mit Benutzung der jeweils vorgeschriebenen persönlichen Schutzausrüstung zulässig.

Austausch des Gerätes

Nur der Hersteller kann das Gerät reparieren. Öffnen des Gerätes bedeutet Verlust der Gewährleistung.

1. Nehmen Sie das Gerät außer Betrieb (siehe Kapitel 2.2.5 "Außer Betrieb nehmen").
2. Demontieren Sie das Gerät (siehe Kapitel 2.2.7 "Demontage").
3. Senden Sie das Gerät an den Hersteller.
4. Installieren Sie ein neues Gerät wie in der Betriebsanleitung beschrieben.
5. Nehmen Sie das System in Betrieb, wie in der Betriebsanleitung beschrieben.

Austausch sonstiger Teile des Antriebssystems

Wenn Teile des Antriebssystems ausgetauscht werden müssen (zum Beispiel Kabel), gehen Sie wie folgt vor:

1. Nehmen Sie das Gerät außer Betrieb (siehe Kapitel 2.2.5 "Außer Betrieb nehmen").
2. Tauschen Sie die Teile aus.
3. Prüfen Sie alle Steckverbindungen auf korrekten Sitz.
4. Nehmen Sie das System in Betrieb, wie in der Betriebsanleitung beschrieben.

2.2.9 Entsorgung

ACHTUNG

Für die fachgerechte Entsorgung des Gerätes wenden Sie sich an einen zertifizierten Elektronikschrottverwerter.

Gemäß der Richtlinie WEEE-2012/19/EG u.ä. nimmt der Hersteller Altgeräte und Zubehör zur fachgerechten Entsorgung zurück. Die Transportkosten muss der Versender tragen. Setzen Sie sich mit Kollmorgen in Verbindung und klären Sie die logistische Abwicklung. Senden Sie die Geräte in der Originalverpackung an die in der folgenden Tabelle aufgeführten Herstelleradressen.

Nordamerika KOLLMORGEN 201 West Rock Road Radford, VA 24141, USA	Südamerika KOLLMORGEN Avenida João Paulo Ablas, 2970 Jardim da Glória, Cotia – SP CEP 06711-250, Brazil
Europa KOLLMORGEN Europe GmbH Pempelfurtstr. 1 40880 Ratingen, Germany	Asien KOLLMORGEN Room 302, Building 5, Lihpao Plaza, 88 Shenbin Road, Minhang District, Shanghai, China.

3 Français

3.1 Sécurité du produit	20
3.1.1 Votre attention est requise pour ce chapitre	20
3.1.2 Utilisation recommandée	22
3.1.3 Utilisation interdite	23
3.1.4 Étiquettes d'avertissement	23
3.2 Gestion du cycle de vie du produit	24
3.2.1 Transport	24
3.2.2 Emballage	24
3.2.3 Stockage	24
3.2.4 Installation, configuration et fonctionnement normal	25
3.2.5 Mise hors service	25
3.2.6 Maintenance et nettoyage	25
3.2.7 Désinstallation	26
3.2.8 Réparation	27
3.2.9 Mise au rebut	27

3.1 Sécurité du produit

3.1.1 Votre attention est requise pour ce chapitre

Personnel spécialisé

Les appareils sont destinés à des applications industrielles. Les constructeurs de machines doivent employer du personnel qualifié. Le personnel qualifié est des personnes qui ont été formées pour transporter, installer, mettre en service et utiliser des entraînements électriques.

- Transport, stockage, déballage : uniquement réservés à un personnel avec des connaissances en matière de manipulation de composants sensibles à l'électricité statique.
- Installation mécanique : uniquement à un personnel avec une expertise mécanique.
- Installation électrique : uniquement à un personnel avec une expertise électrotechnique.
- Mise en service : uniquement par du personnel spécialisé ayant des connaissances étendues dans les domaines de l'électrotechnique et des systèmes d'entraînement

Le personnel qualifié doit connaître et respecter les normes ISO 12100, CEI 60364 et CEI 60664 ainsi que les réglementations nationales en matière de prévention des accidents.

Lecture de la documentation

Lisez la documentation fournie avant le montage et la mise en service. Une mauvaise manipulation des appareils peut entraîner des dommages aux personnes et aux biens. L'exploitant doit donc s'assurer que toutes les personnes auxquelles sont confiés des travaux sur le système d'entraînement ont bien lu le manuel d'utilisation, l'ont compris et que les instructions de sécurité de ce manuel sont respectées.

Contrôle de la version matérielle

Vérifiez le numéro de version matérielle (HWR) du produit (voir plaque signalétique). Ce numéro est le lien entre votre produit et le manuel. Il doit correspondre au numéro de révision matérielle figurant sur la page de garde du manuel.

Prise en compte des données techniques

Respectez les caractéristiques techniques et les indications relatives aux conditions de raccordement (plaque signalétique et documentation). Le dépassement des valeurs de tension ou d'intensité autorisées peut entraîner des dommages sur l'appareil. Un moteur inadapté ou un câblage incorrect risque d'endommager les composants du système. Vérifiez la combinaison du variateur et du moteur. Comparez la tension et l'intensité nominales des unités.

Analyse des risques

Le constructeur de la machine doit effectuer une analyse des risques liés à son équipement et prendre les mesures appropriées pour éviter que des mouvements imprévus ne provoquent des dommages aux personnes et aux biens. En fonction de l'analyse des risques, vous pouvez éventuellement donner des instructions supplémentaires au personnel spécialisé.

Redémarrage automatique !

L'entraînement peut redémarrer automatiquement après la mise sous tension, creux de tension ou interruption de la tension d'alimentation, en fonction de la valeur du paramètre. Il existe un risque de blessures graves, voire mortelles, pour les personnes travaillant sur la machine. Lorsque le paramètre AXIS#.ENDEFAULT est défini sur 1, placez un panneau d'avertissement sur la machine et assurez-vous qu'il n'est pas possible d'enclencher la tension d'alimentation pendant que des personnes se trouvent dans la zone de danger de la machine. En cas d'utilisation d'un dispositif de protection contre les sous-tensions, respectez EN 60204-1: 2006 Chapitre 7.5.



Composants sensibles aux décharges électrostatiques

Les appareils contiennent des composants sensibles à l'électricité statique, qui peuvent être endommagés par des manipulations inadéquates. Evacuez la charge électrostatique de votre corps avant de toucher l'appareil. Evitez de toucher des matériaux hautement isolants (fibres artificielles, film plastique, etc.). Posez l'appareil sur une surface conductrice.

Surface chaude



Les surfaces des variateurs peuvent devenir très chaudes pendant le fonctionnement. Le dissipateur thermique peut atteindre des températures supérieures à 80°C. Risque de brûlures légères. Mesurez la température et attendez que le dissipateur thermique soit redescendu en-dessous de 40°C avant de le toucher.

Mise à la terre



Assurez-vous de la mise à la terre correcte du variateur, avec le profilé PE de l'armoire électrique comme potentiel de référence. Risque de choc électrique. Faute d'une mise à la terre de faible impédance, la sécurité des personnes n'est pas assurée et il existe un risque de choc électrique pouvant être mortel.

Courant de fuite

Étant donné que le courant de fuite via le conducteur PE est supérieur à 3,5 mA, conformément à CEI 61800-5-1, le raccordement du conducteur PE doit être doublé, ou un câble de connexion avec une section supérieure à 10 mm² doit être utilisé. Des mesures différentes conformes aux normes régionales peuvent être appliquées.

Hautes tensions



L'équipement produit des tensions électriques élevées pouvant atteindre 900 V. Il existe un danger mortel au niveau des composants sous tension de l'appareil. N'ouvrez ou ne touchez pas l'équipement pendant son fonctionnement. Tous les couvercles et toutes les portes de l'armoire doivent rester fermés. Les dispositifs de protection intégrés, tels qu'une isolation ou un blindage, ne peuvent pas être retirés. Seul du personnel dûment formé et qualifié est habilité à travailler sur l'installation électrique, conformément aux réglementations sur la sécurité au travail, et uniquement lorsque l'alimentation secteur coupée et protégée contre tout redémarrage.

Ne débranchez jamais les connexions électriques du variateur pendant qu'il est sous tension. Il existe un risque de formation d'arc électrique pouvant entraîner une détérioration des contacts et des blessures. Une fois le variateur déconnecté de l'alimentation principale, attendez au moins 5 minutes avant de toucher des sections de l'équipement susceptibles d'être conductrices (contacts, par exemple) ou de débrancher les connexions. Mesurez toujours la tension dans la liaison de bus c.c. et attendez que la tension soit inférieure à 50 V avant de manipuler les composants.

Sécurité fonctionnelle !

L'évaluation des fonctions de sécurité conformément à la norme EN13849 ou EN 62061 doit être effectuée au final par l'utilisateur.

Isolation renforcée

La sonde de température intégrée dans le moteur, les freins d'arrêt du moteur et les systèmes de recyclage doivent être pourvus d'une isolation renforcée (selon EN 61800-5-1) par rapport aux composants systèmes dotés d'une tension d'alimentation, conformément à la tension d'essai requise de l'application. Tous les composants Kollmorgen satisfont à ces exigences.

Interdiction de modifier les appareils

Il est interdit de modifier le matériel du variateur sans l'autorisation du fabricant. L'ouverture du boîtier entraîne une perte de garantie.

3.1.2 Utilisation recommandée

Les variateurs AKD2G sont exclusivement destinés à l'entraînement de servomoteurs synchrones appropriés avec asservissement du couple, de la vitesse et/ou de la position.

Les AKD2G sont des composants montés sur des machines ou installations électriques et peuvent être exploités uniquement en tant que composants intégrés de ces installations ou machines. Le fabricant de l'appareil utilisé avec un variateur doit procéder à une évaluation des risques pour l'appareil. Dans le cas d'un montage des variateurs dans des machines ou des installations, l'utilisation du variateur est interdite tant que la conformité de la machine ou de l'installation aux directives régionales n'a pas été établie.

Armoire et câblage

Les variateurs ne doivent être exploités que dans une armoire de commande fermée, adaptée aux conditions ambiantes. Une aération ou un refroidissement peut être nécessaire pour conserver l'armoire à une température inférieure à 40 °C (ou en dessous de 60 °C en cas de fonctionnement avec réduction de courant).

Utilisez uniquement des conducteurs en cuivre pour le câblage. La section des conducteurs peut être basée sur la norme CEI 60204 (ou bien pour les sections AWG : tableau CEN 310-16, colonne 75 °C).

Alimentation

Les variateurs peuvent être alimentés par des réseaux industriels monophasés, biphasés ou triphasés ou c.c.

Les variateurs de la série AKD2G peuvent être alimentés comme suit :

- AKD2G-Sxx-6Vxx :
Réseaux d'alimentation industriels monophasés, biphasés ou triphasés (courant nominal symétrique inférieur à 10 kA à 120 V et 240 V) ou alimentation c.c..
- AKD2G-Sxx-7Vxx :
Réseaux d'alimentation industriels triphasés (courant nominal symétrique inférieur à 10 kA à 240 V, 400 V et 480 V) ou alimentation c.c..

Le raccordement à d'autres types de tension de réseaux d'alimentation est possible avec un transformateur d'isolement supplémentaire.

Les surtensions répétées entre les phases (L1, L2, L3) et le boîtier du variateur ne doivent pas dépasser 1 000 V en crête. Conformément à la norme CEI 61800, les pointes de tension (< 50 µs) entre les phases ne doivent pas dépasser 1 000 V. Les pointes de tension (< 50 µs) entre une phase et le boîtier ne doivent pas dépasser 2 000 V.

Tension nominale du moteur

La tension nominale des moteurs doit être supérieure ou égale à la tension de la liaison de bus c.c. divisée par $\sqrt{2}$ générée par le variateur ($U_{nMoteur} \geq U_{c.c.}/\sqrt{2}$).

Sécurité fonctionnelle

AVIS

Bêta drives:

Les fonctions de sécurité ne sont encore ni approuvées ni certifiées. N'utilisez pas cette fonctionnalité dans des applications avec demande de sécurité fonctionnelle jusqu'à nouvel ordre.

AVIS

- Le réseau, auquel le variateur est connecté, doit être sécurisé conformément aux exigences de sécurité relatives aux technologies d'information de pointe.
- Les informaticiens spécialisés du client doivent déterminer si des exigences de sécurité supplémentaires sont applicables pour garantir la sécurité fonctionnelle.

3.1.3 Utilisation interdite

Toute utilisation autre que celle décrite dans le chapitre "Utilisation recommandée" n'est pas prévue et peut entraîner des dommages corporels et matériels. Le variateur ne doit pas être utilisé avec des machines ne respectant pas les normes ou les réglementations nationales appropriées. L'utilisation du variateur dans les environnements suivants est également proscrite :

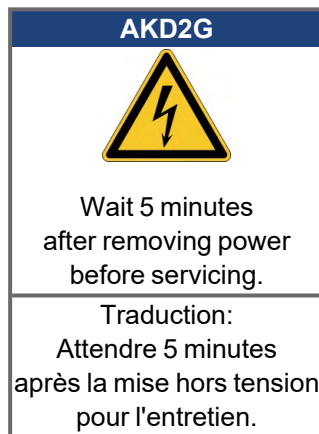
- Zones potentiellement explosives
- Environnements avec acides corrosifs et/ou conducteurs, solutions alcalines, huiles, vapeurs, poussières
- Navires ou applications offshore

AVIS

Le variateur ne doit pas être connecté directement à Internet. Si le réseau, auquel le variateur est connecté, n'est pas sécurisé conformément aux technologies d'information de pointe, il peut en résulter un risque pour la sécurité fonctionnelle.

3.1.4 Étiquettes d'avertissement

3.1.4.1 Avertissements apposés sur le produit



3.1.4.2 Étiquette adhésive sur l'emballage

AVIS

Suivez les instructions données sur les étiquettes adhésives dans l'emballage. Si une étiquette d'avertissement est endommagée, elle doit être remplacée immédiatement.

3.2 Gestion du cycle de vie du produit

3.2.1 Transport

Le transport du AKD2G doit se faire conformément à la norme CEI 61800-2 :

- Le transport doit être effectué par du personnel qualifié, avec le variateur dans l'emballage recyclable d'origine du fabricant.
- **AVIS:** Il convient d'éviter les chocs lors du transport.
- Vibrations/chocs : AKD2G est testé conforme à la classe environnementale 2M1 de la norme CEI 60721-3-2.
- La hauteur d'empilage maximum correspond à la hauteur de 8 cartons (voir "Stockage" (→ # 24)).
- Le transport doit être effectué dans les plages de températures spécifiées : -25 à +70 °C variation de 20 K/heure maximum, classe 2K3.
- Le transport doit être effectué dans les conditions d'humidité spécifiées : humidité relative maximum de 95 % à +40 °C, sans condensation, classe 2K3.

AVIS

Les variateurs contiennent des composants sensibles à l'électricité statique qui peuvent être endommagés par une manipulation incorrecte. Déchargez l'électricité statique de votre corps avant de toucher le variateur. Évitez le contact avec des matériaux à haute isolation (fibres synthétiques, films plastique, etc.). Placez le variateur sur une surface conductrice.

Si l'emballage est abîmé, vérifiez si l'unité présente des dommages visibles. Avertissez l'expéditeur et le fabricant des éventuels dommages constatés sur l'emballage ou le produit.

3.2.2 Emballage

L'emballage du AKD2G est composé d'un carton recyclable avec pièces et d'une étiquette sur la partie extérieure du boîtier.

Modèle	Emballage (mm) H x l x L	Poids total (kg)
AKD2G-Sxx-6V03 à 6V12	tbd	4,2
AKD2G-Sxx-7V03 à 7V12	tbd	4,3

INFORMATION

Les connecteurs homologues **ne sont pas** inclus dans l'emballage d'un variateur standard.

Les connecteurs homologues sont inclus lorsque le variateur est commandé avec des accessoires (ajout de "-A" au numéro de modèle).

3.2.3 Stockage

Le stockage du AKD2G doit se faire conformément à la norme CEI 61800-2 :

- Le stockage doit être effectué uniquement dans l'emballage d'origine recyclable du fabricant.
- La hauteur d'empilage maximum correspond à la hauteur de 8 cartons.
- Le stockage doit être effectué dans les plages de températures spécifiées : -25 à +55 °C, variation de 20 K/heure maximum, classe 1K4.
- Le stockage doit être effectué dans les conditions d'humidité spécifiées : humidité relative entre 5 et 95 %, sans condensation, classe 1K3.
- Les exigences suivantes doivent être respectées en ce qui concerne la durée de stockage :
 - Moins d'un an : aucune restriction.

- Plus d'un an : les condensateurs doivent être reformés avant de configurer et de faire fonctionner le variateur.
Les procédures de reformage sont décrites sur KDN ([Forming](#)).

3.2.4 Installation, configuration et fonctionnement normal

Vous trouverez des informations sur l'installation et la configuration dans Manuel d'Instructions.

Fonctionnement normal testé pour la classe environnementale 3K3 selon EN 61800-2 . Le fabricant de la machine définit l'expertise requise de l'utilisateur final en fonction de l'évaluation des risques pour la machine et décrit les exigences pour un fonctionnement normal en fonction de l'application.

3.2.5 Mise hors service

AVIS

Seuls des spécialistes en électrotechnique sont habilités à mettre des composants du système hors service.

DANGER: Tension mortelle !

Il ya un risque de blessures graves ou la mort par choc électrique et de formation d'arc électrique.

- Coupez l'interrupteur principal de l'armoire de commande.
- Protégez le système contre toute remise en marche.
- Bloquez l'interrupteur principal..
- Attendez au moins 5 minutes.

3.2.6 Maintenance et nettoyage

L'appareil ne requiert aucune maintenance, il doit être inspecté une fois par an par le personnel professionnel. Le fait d'ouvrir l'appareils annule la garantie.

AVIS

N'immergez ou ne pulvérisiez pas le dispositif. Évitez toute pénétration de liquides dans l'appareil. L'intérieur de l'unité ne peut être nettoyé que par le fabricant.

Pour nettoyer l'extérieur d'appareil :

1. Mettez l'appareil hors service (reportez-vous au chapitre 3.2.5 "Mise hors service").
2. Carter : nettoyez avec de l'isopropanol ou une solution de nettoyage similaire.
ATTENTION : Facilement inflammable ! Risque de blessure par déflagration et d'incendie.
 - Respectez les consignes de sécurité figurant sur l'emballage du produit de nettoyage.
 - Après le nettoyage, patientez au moins 30min. avant de remettre l'appareil en service.
3. Grille de protection du ventilateur : nettoyez à l'aide d'une brosse à sec.

3.2.7 Désinstallation

AVIS

Seuls des spécialistes en électrotechnique sont habilités à remplacer les composants du système.

1. Mettez l'appareil hors service (reportez-vous au chapitre 3.2.5 "Mise hors service").
2. Vérifiez la température.

ATTENTION: Haute température! Risque de brûlures légères. Pendant le fonctionnement, le dissipateur thermique peut atteindre des températures supérieures à 80 °C. Avant de toucher le variateur, vérifiez la température et attendez qu'elle soit redescendue au-dessous de 40 °C.

3. Retirez les connecteurs. Déconnectez la prise de terre en dernier le cas échéant.
4. Démontage : desserrez les vis de fixation et retirez l'appareil.

3.2.8 Réparation

AVIS

Seuls des spécialistes en électrotechnique sont habilités à remplacer les composants du système.

ATTENTION: Démarrage automatique ! Lors d'opérations de remplacement, une combinaison de dangers et de plusieurs événements peut se produire.

- Seul du personnel dûment formé et qualifié est habilité à travailler sur l'installation électrique, conformément aux réglementations sur la sécurité au travail, et uniquement en utilisant l'équipement de protection personnelle prescrit.

Remplacement l'appareil

Seul le fabricant est habilité à réparer l'appareil. Le fait d'ouvrir l'appareil annule la garantie.

1. Mettez l'appareil hors service (reportez-vous au chapitre 3.2.5 "Mise hors service").
2. Désinstallation d'appareil (voir chapitre 3.2.7 "Désinstallation").
3. Renvoyez l'appareil au fabricant.
4. Installez un nouvel appareil conformément aux instructions de Manuel d'Instructions.
5. Mettez le système en service, conformément aux instructions de Manuel d'Instructions.

Remplacement d'autres éléments du système d'entraînement

S'il s'avère nécessaire de remplacer des éléments du système d'entraînement (par exemple, des câbles), procédez comme suit:

1. Mettez l'appareil hors service (reportez-vous au chapitre 3.2.5 "Mise hors service").
2. Remplacez les éléments.
3. Vérifiez si toutes les connexions sont bien en place.
4. Mettez le système en service, conformément aux instructions de Manuel d'Instructions.

3.2.9 Mise au rebut

AVIS

Pour une mise au rebut conforme de l'appareil, adressez-vous à une société certifiée de recyclage de déchets électroniques.

Conformément à la directive WEEE-2012/19/CE ou réglementation similaire, le fabricant accepte le retour d'appareils ou d'accessoires usagés pour une mise au rebut professionnelle. Les frais de transport incombent à l'expéditeur.

Contactez Kollmorgen et de clarifier la logistique.

Envoyez les appareils dans son emballage d'origine aux adresses du fabricant affichées dans le tableau ci-dessous.

North America KOLLMORGEN 201 West Rock Road Radford, VA 24141, USA	South America KOLLMORGEN Avenida João Paulo Ablas, 2970 Jardim da Glória, Cotia – SP CEP 06711-250, Brazil
Europe KOLLMORGEN Europe GmbH Pempelfurtstr. 1 40880 Ratingen, Germany	Asia KOLLMORGEN Room 302, Building 5, Lihpao Plaza, 88 Shenbin Road, Minhang District, Shanghai, China.

4 Italiano

4.1 Sicurezza dei prodotti	29
4.1.1 Prestare attenzione a quanto segue	29
4.1.2 Uso secondo le istruzioni	31
4.1.3 Uso vietato	32
4.1.4 Etichette di avvertimento	32
4.2 Gestione del ciclo di vita di un prodotto	33
4.2.1 Trasporto	33
4.2.2 Imballaggio	33
4.2.3 Conservazione	33
4.2.4 Installazione, configurazione e funzionamento normale	34
4.2.5 Messa fuori servizio	34
4.2.6 Manutenzione e pulizia	34
4.2.7 Smontaggio	34
4.2.8 Riparazione	35
4.2.9 Smaltimento	35

4.1 Sicurezza dei prodotti

4.1.1 Prestare attenzione a quanto segue

È richiesto l'intervento di personale specializzato!

I dispositivi sono destinati ad applicazioni industriali. I costruttori di macchine devono impiegare personale qualificato. Per personale qualificato si intendono persone addestrate al trasporto, all'installazione, alla messa in servizio e all'utilizzo di azionamenti elettrici.

- Trasporto, immagazzinamento, disimballaggio: unicamente a cura di personale con nozioni di movimentazione dei componenti sensibili alle cariche elettrostatiche.
- Installazione meccanica: unicamente a cura di personale esperto in meccanica.
- Installazione elettrica: unicamente a cura di personale esperto in elettrotecnica.
- Messa in servizio: solo da parte di personale qualificato con ampie conoscenze nei settori dell'elettrotecnica e dei sistemi di azionamento

Il personale qualificato deve conoscere e rispettare le norme ISO 12100, IEC 60364 e IEC 60664 e le disposizioni antinfortunistiche nazionali.

Leggere la documentazione

Prima di procedere al montaggio e alla messa in funzione leggere attentamente la presente documentazione. L'errata manipolazione del dispositivo può comportare danni a persone o a cose. L'operatore è quindi tenuto ad assicurarsi che tutto il personale addetto a lavori sugli sistema di guida abbia letto e compreso il manuale e che le indicazioni di sicurezza riportate nel manuale siano rispettate.

Controllare la revisione dell'hardware

Controllare il numero di revisione dell'hardware del prodotto (si veda la targhetta di omologazione). Questo numero rappresenta il collegamento tra il prodotto e il manuale e deve corrispondere al numero di revisione hardware riportato sulla copertina del manuale.

Rispettare i dati tecnici

Osservare i dati tecnici e le indicazioni sulle condizioni di collegamento (targhetta di omologazione e documentazione). Se si superano i valori di tensione e di corrente ammessi, i servoamplificatori possono essere danneggiati. Un motore inadeguato o un cablaggio non adatto possono danneggiare i componenti del sistema. Controllare la combinazione di servoamplificatore e motore. Confrontare la tensione e la corrente nominali delle unità.

Eeguire un'analisi dei rischi

Il produttore della macchina è tenuto a realizzare un'analisi dei rischi per il macchinario e ad adottare le misure necessarie affinché eventuali movimenti imprevisti non causino lesioni o danni a persone o cose. L'analisi dei rischi potrebbe comportare la necessità di ulteriori requisiti per il personale tecnico.

Riavvio automatico!



L'azionamento potrebbe riavviarsi automaticamente dopo l'accensione, cali di tensione o interruzione della tensione di alimentazione, a seconda della parametrizzazione. Sussiste il pericolo di lesioni gravi o di morte per il personale addetto ai lavori sulla macchina. Se il parametro AXIS#.ENDEFAULT è impostato su 1, occorre apporre un cartello di avvertenza sulla macchina (Avvertenza: riavvio automatico dopo l'inserzione!) e assicurarsi che l'inserzione della tensione di rete non sia possibile in presenza di persone nella zona pericolosa della macchina. En cas d' utilizzo d'un dispositif de protection contre les sous- tensions , respectez EN 60204-1 : 2006 Chapitre 7.5..

Componenti sensibili alle scariche elettrostatiche

Gli dispositivi contengono elementi sensibili alle scariche elettrostatiche, che possono danneggiarsi in caso di uso improprio. Scaricare l'elettricità statica dal corpo prima di toccare il dispositivo. Evitare il contatto con materiali altamente isolanti (fibre sintetiche, pellicole in materie plastiche e così via). Collocare il dispositivo su una superficie conduttiva.

Superfici calde



In corso di funzionamento le superfici degli amplificatori possono surriscaldarsi. Il dissipatore di calore può raggiungere temperature superiori agli 80°C. Pericolo di ustioni lievi. Misurare la temperatura e attendere che il dissipatore abbia raggiunto i 40°C prima di toccarlo.

Messa a terra



Assicurare la regolare messa a terra del dispositivo con la bandella PE all'interno dell'armadio di distribuzione come potenziale di riferimento. Sussiste il pericolo di scosse elettriche. Senza una messa a terra a bassa impedenza non viene garantita la sicurezza personale e sussiste pericolo di morte per scosse elettriche.

Corrente di dispersione

Dato che la corrente di dispersione al PE è superiore a 3,5 mA, secondo IEC61800-5-1 il collegamento PE deve essere raddoppiato oppure si deve usare un cavo di collegamento con una sezione trasversale > 10 mm². Sono possibili misure divergenti a seconda degli standard regionali.

Alte tensioni!



Il dispositivo produce alte tensioni elettriche fino a 900 V. Pericolo di morte in prossimità di parti del dispositivo sotto tensione. Non aprire né toccare le apparecchiature durante il funzionamento. Tenere chiusi tutte le coperture e gli sportelli dei quadri elettrici. Le misure di protezione integrate come l'isolamento o la schermatura non possono essere rimosse. I lavori sull'impianto elettrico possono essere eseguiti unicamente da personale qualificato e debitamente addestrato, nel rispetto della normativa vigente in materia di sicurezza sul lavoro, e solo con l'interruttore principale spento e protetto da un riavvio indesiderato.

Non scollegare mai i collegamenti elettrici dal servoamplificatore quando quest'ultimo è sotto tensione. Sussiste un pericolo di formazione di arco elettrico che può provocare danni ai contatti e lesioni personali. Dopo aver scollegato il servoamplificatore dall'alimentazione principale, attendere almeno 5 minuti prima di toccare le sezioni potenzialmente sotto tensione dell'attrezzatura o prima di staccare qualsiasi collegamento.

Misurare sempre la tensione nel DC-link e attendere finché non è inferiore a 50 V prima di toccare i componenti.

Sicurezza funzionale!

La verifica delle funzioni di sicurezza secondo le norme EN13849 o EN 62061 deve essere eseguita alla fine dall'utente.

Isolamento rinforzato

I sensori di temperatura, i freni di arresto del motore e i sistemi di retroazione integrati nel motore devono essere dotati di un isolamento rinforzato (secondo EN 61800-5-1) nei confronti dei componenti del sistema con tensione di alimentazione, in base alla tensione di prova richiesta dall'applicazione. Tutti i componenti Kollmorgen rispondono a questi requisiti.

Non modificare gli apparecchi

Non è consentito modificare l'hardware del servoamplificatore senza l'autorizzazione del produttore. L'apertura dell'alloggiamento causa la perdita della garanzia.

4.1.2 Uso secondo le istruzioni

I servoamplificatori AKD2G sono destinati esclusivamente all'azionamento di servomotori sincroni adeguati con controllo a ciclo chiuso di coppia, velocità e/o posizione.

Gli AKD2G sono componenti incorporati in impianti o macchine elettrici e possono funzionare esclusivamente come componenti integrati di tali impianti o macchine. Il produttore del dispositivo utilizzato con un servoamplificatore deve produrre un'analisi dei rischi per il dispositivo in questione. Quando i servoamplificatori sono inseriti in macchine o impianti, non devono essere usati finché non si è stabilito che la macchina o l'impianto soddisfa i requisiti delle normative regionali.

Armadio e cablaggio

I servoamplificatori devono funzionare esclusivamente in un quadro ad armadio di controllo chiuso adatto alle condizioni ambientali. La ventilazione o il raffreddamento possono essere necessari per mantenere la temperatura del quadro ad armadio a un livello inferiore a 40 °C (o inferiore a 60 °C quando si opera con riduzione di corrente).

Utilizzare esclusivamente conduttori di rame per il cablaggio. Per le sezioni dei conduttori, fare riferimento alla norma IEC 60204 (in alternativa, per le sezioni AWG: NEC tabella 310-16, colonna 75 °C).

Alimentazione

I servoamplificatori possono essere alimentati con reti industriali di alimentazione a 1, 2 o 3 fasi o a CC.

I servoamplificatori della serie AKD2G possono essere alimentati nei seguenti modi:

- AKD2G-Sxx-6Vxx:
reti di alimentazione industriali a 1, 2 o 3 fasi (corrente nominale simmetrica non superiore a 10 kA a 120 V e 240 V) o alimentazione CC.
- AKD2G-Sxx-7Vxx:
reti di alimentazione industriali trifase (corrente nominale simmetrica non superiore a 10 kA a 240 V, 400 V e 480 V) o alimentazione CC.

Il collegamento ad altri tipi di reti elettriche con tensioni diverse è possibile con un trasformatore isolante supplementare.

Le sovratensioni ripetute tra le fasi (L1, L2, L3) e l'alloggiamento del servoamplificatore non devono superare il picco di 1000 V. In base allo standard IEC 61800, i picchi di tensione (< 50 µs) tra le fasi non devono superare i 1000 V. I picchi di tensione transitori (< 50 µs) tra una fase e l'alloggiamento non devono superare 2000 V.

Limite di funzionamento per la tensione del motore

La tensione nominale dei motori deve essere almeno della stessa entità della tensione del DC-link divisa per $\sqrt{2}$ prodotta dal servoamplificatore ($U_{nMotore} \geq U_{DC}/\sqrt{2}$).

Sicurezza funzionale

AVVISO

Unità beta:

Le funzioni di sicurezza non sono ancora approvate né certificate. Non utilizzare questa funzionalità in applicazioni con richiesta di sicurezza funzionale fino a nuovo avviso.

AVVISO

- La rete alla quale è collegato il servoamplificatore, deve essere protetta in base ai requisiti di sicurezza della tecnologia dell'informazione di ultima generazione.
- Gli specialisti IT dell'utente devono valutare l'applicabilità di ulteriori requisiti di sicurezza, al fine di garantire la sicurezza funzionale.

4.1.3 Uso vietato

Un uso diverso da quanto descritto nel capitolo "Uso secondo le istruzioni" non è previsto e può provocare lesioni personali e danni materiali. Non usare il servoamplificatore con una macchina non conforme alle direttive o normative nazionali corrispondenti. Inoltre è vietato l'uso del servoamplificatore nei seguenti ambienti:

- zone potenzialmente esplosive
- ambienti con acidi corrosivi e/o elettricamente conduttivi, soluzioni alcaline, oli, vapori, polveri
- navi o applicazioni offshore

AVVISO

Il servoamplificatore non deve essere collegato direttamente a Internet. Se la rete alla quale è collegato il servoamplificatore, non è protetta in base ai requisiti di sicurezza della tecnologia dell'informazione di ultima generazione, vi può essere un rischio di sicurezza funzionale.

4.1.4 Etichette di avvertimento

4.1.4.1 Note inserite sul prodotto



4.1.4.2 Etichetta adesiva sull'imballaggio

AVVISO

Seguire le istruzioni riportate sulle etichette adesive nella confezione. Se un'etichetta di avvertimento risulta danneggiata, deve essere sostituita immediatamente.

4.2 Gestione del ciclo di vita di un prodotto

4.2.1 Trasporto

Trasportare il modello AKD2G secondo IEC 61800-2 come segue:

- affidare il trasporto esclusivamente a personale qualificato, mantenere il dispositivo nell'imballaggio riciclabile originale del produttore
- **AVVISO:** Evitare urti durante il trasporto
- Vibrazioni/Urto: AKD2G è testato per la classe ambientale 2M1 del IEC 60721-3-2.
- Conservare a un'altezza di impilaggio massima pari o inferiore a 8 scatole: (vedi "Conservazione" (→ # 33))
- Trasportare soltanto entro intervalli di temperatura specifici: da -25 a +70 °C, max. tasso di variazione 20 K/ora, classe 2K3.
- Trasportare solo entro le specifiche condizioni di umidità: max. umidità relativa del 95% a +40°C, senza formazione di condensa, classe 2K3.

AVVISO

I servoamplificatori contengono componenti sensibili alle cariche elettrostatiche che possono danneggiarsi in caso di uso improprio. Eliminare le cariche elettrostatiche dal proprio corpo prima di toccare il servoamplificatore. Evitare il contatto con materiali altamente isolanti come tessuti artificiali o pellicole di plastica. Collocare il servoamplificatore su una superficie conduttiva.

Se l'imballaggio è danneggiato, controllare che l'unità non presenti danni visibili. Informare il trasportatore e il costruttore di qualsiasi danno eventuale all'imballaggio o al prodotto.

4.2.2 Imballaggio

L'imballaggio dell'AKD2G è composto da cartone riciclabile con inserti e un'etichetta all'esterno della scatola.

Modello	Imballaggio (mm) AXPXL	Peso totale (kg)
AKD2G-Sda xx-6V03 a 6V12	in corso di realizzazione	4.2
AKD2G-Sda xx-7V03 a 7V12	nel corso di realizzazione	4.3

INFORMAZIONI

I connettori **non** sono inclusi nella confezione di un servoamplificatore standard.

I connettori vengono inclusi quando il servoamplificatore viene ordinato con accessori (aggiungere "-A" al numero di modello).

4.2.3 Conservazione

Riporre il modello AKD2G secondo IEC 61800-2 come segue:

- solo nell'imballaggio riciclabile originale del produttore.
- Conservare a un'altezza di impilaggio massima pari o inferiore a 8 scatole.
- Conservare soltanto entro intervalli di temperatura specifici: da -25 a +55 °C, tasso di variazione max. 20 K/ora, classe 1K4.
- Conservare solo entro le specifiche condizioni di umidità: dal 5 al 95% di umidità relativa, senza la formazione di condensa, classe 1K3.
- conservare secondo i seguenti requisiti di durata:
 - meno di 1 anno: senza restrizioni.
 - oltre 1 anno: i condensatori devono essere rigenerati prima di configurare e mettere in funzione il servoamplificatore. Le procedure di rigenerazione sono descritte nella rete degli sviluppatori Kollmorgen ([Forming](#)).

4.2.4 Installazione, configurazione e funzionamento normale

Informazioni su installazione e configurazione sono disponibili in Manuale d'Istruzioni.

Funzionamento normale testato per classe ambientale 3K3 secondo EN 61800-2 .

Il produttore della macchina definisce l'esperienza richiesta dall'utente finale in base alla valutazione del rischio per la macchina e descrive i requisiti per il normale funzionamento a seconda dell'applicazione.

4.2.5 Messa fuori servizio

AVVISO

La messa fuori servizio di parti del sistema di azionamento può avvenire unicamente ad opera di personale qualificato specializzato in elettrotecnica.

PERICOLO: Tensione letale !

Vi è il rischio di lesioni gravi o morte da shock elettrico o di arco.

- Disinserire l'interruttore generale dell'armadio elettrico..
- Mettere in sicurezza il sistema per evitarne il riavvio accidentale.
- Bloccare l'interruttore principale.
- Attendere dopo aver scollegato il sistema almeno 5 minuti.

4.2.6 Manutenzione e pulizia

Lo strumento non necessitano di alcuna manutenzione, deve essere ispezionato una volta all'anno da personale professionale.

AVVISO

Non immergere il strumento né spruzzare sulla sua superficie. Evitare l'ingresso di liquidi nel dispositivo. L'apertura degli strumenti comporta l'estinzione della validità della garanzia. La parte interna dell'unità può essere pulita soltanto dal costruttore.

Per pulire la parte esterna del servoamplificatore:

1. Messa fuori servizio del dispositivo (vedere il capitolo 4.2.5 "Messa fuori servizio").
2. Alloggiamento: pulire con isopropanolo o una soluzione detergente simile

ATTENZIONE : Facilmente infiammabile! Pericolo di lesioni da esplosione e incendio.

- Attenersi alle indicazioni di sicurezza riportate sulla confezione del detergente.
- Dopo la pulizia attendere almeno 30 minuti prima di rimettere in funzione il dispositivo.

3. Griglia protettiva o ventola: pulire con una spazzola asciutta

4.2.7 Smontaggio

AVVISO

La sostituzione di componenti del sistema può essere svolta unicamente da personale specializzato con conoscenze nel campo dell'elettrotecnica.

1. Messa fuori servizio del dispositivo (vedere il capitolo 4.2.5 "Messa fuori servizio").
2. Controllare la temperatura.

ATTENZIONE: Alta temperatura! Pericolo di ustioni lievi. Durante il funzionamento, il dissipatore di calore del dispositivo può raggiungere temperature superiori a 80°C. Prima di toccare il dispositivo, controllarne la temperatura e attendere finché non è scesa sotto i 40°C.

3. Rimuovere i connettori. Scollegare il collegamento della terra potenziale per ultimo.
4. Smontaggio: Allentare le viti di fissaggio e rimuovere il dispositivo.

4.2.8 Riparazione

AVVISO

La sostituzione di componenti del sistema può essere svolta unicamente da personale specializzato con conoscenze nel campo dell'elettrotecnica.

ATTENZIONE: Avvio automatico! Durante le operazioni di sostituzione può verificarsi una combinazione di pericoli ed eventi diversi.

- I lavori sull'impianto elettrico possono essere eseguiti unicamente da personale qualificato e debitamente addestrato, nel rispetto della normativa vigente in materia di sicurezza sul lavoro e utilizzando le attrezzature di protezione personale prescritte.

Sostituzione del dispositivo

La riparazione del dispositivo può essere effettuata solo dal costruttore. L'apertura del dispositivo comporta l'annullamento della garanzia.

1. Messa fuori servizio del dispositivo (vedere il capitolo 4.2.5 "Messa fuori servizio").
2. Smontare il dispositivo (vedi capitolo 4.2.7 "Smontaggio").
3. Inviare il dispositivo al costruttore.
4. Installare un nuovo dispositivo come descritto nel Manuale d'Istruzioni.
5. Mettere in funzione il sistema come descritto nel prManuale d'Istruzioni.

Sostituzione di altri componenti del sistema di azionamento

Se occorre sostituire componenti del sistema di azionamento (ad esempio cavi) procedere come segue:

1. Messa fuori servizio del dispositivo (vedere il capitolo 4.2.5 "Messa fuori servizio").
2. Sostituire i componenti.
3. Verificare che tutti i collegamenti ad innesto siano correttamente in posizione.
4. Mettere in funzione il sistema come descritto nel Manuale d'Istruzioni.

4.2.9 Smaltimento

AVVISO

Per il corretto smaltimento del dispositivo rivolgersi ad un ente certificato per il recupero dei rifiuti di apparecchiature elettroniche.

In conformità alle linee guida della direttiva 2012/19/CE (RAEE) e simili, il costruttore accetta la restituzione di vecchi dispositivi ed accessori per uno smaltimento professionale. I costi di trasporto sono a carico del mittente.

Contattare Kollmorgen e chiarire la logistica.

Spedire i dispositivi utilizzando la confezione originale all'indirizzo del costruttore:

North America KOLLMORGEN 201 West Rock Road Radford, VA 24141, USA	South America KOLLMORGEN Avenida João Paulo Ablas, 2970 Jardim da Glória, Cotia – SP CEP 06711-250, Brazil
Europe KOLLMORGEN Europe GmbH Pempelfurtstr. 1 40880 Ratingen, Germany	Asia KOLLMORGEN Room 302, Building 5, Lihpao Plaza, 88 Shenbin Road, Minhang District, Shanghai, China.

5 Português

5.1 Segurança do produto	37
5.1.1 Deverá prestar atenção ao que se segue	37
5.1.2 Utilizar como indicado	39
5.1.3 Utilização proibida	40
5.1.4 Etiquetas com avisos de atenção	40
5.2 Como proceder durante o ciclo de vida do produto	41
5.2.1 Transporte	41
5.2.2 Embalagem	41
5.2.3 Armazenamento	41
5.2.4 Instalação, configuração e operação normal	42
5.2.5 Desativando	42
5.2.6 Manutenção e limpeza	42
5.2.7 Desinstalando	42
5.2.8 Reparo	43
5.2.9 Eliminação	43

5.1 Segurança do produto

5.1.1 Deverá prestar atenção ao que se segue

São necessários funcionários especializados!

Os dispositivos são destinados a aplicações industriais. Os fabricantes de máquinas devem empregar pessoal qualificado. Pessoal qualificado são pessoas que foram treinadas para transportar, instalar, comissionar e operar acionamentos elétricos.

- Transporte, armazenamento, desembalamento: apenas pelo pessoal com conhecimento em manuseio de componentes sensíveis eletrostaticamente.
- Instalação mecânica: somente por pessoal com conhecimento mecânico.
- Instalação elétrica: somente por pessoal com conhecimento eletrotécnico.
- Testes básicos: apenas pelo pessoal qualificado com conhecimento em engenharia elétrica e tecnologia de acionamento

O pessoal qualificado deve conhecer e observar os padrões ISO 12100, IEC 60364 e IEC 60664 e regulamentos nacionais de prevenção de acidentes.

Leia a documentação!

Leia este documento antes de instalar e comissionar o drive. O manuseio incorreto do drive pode ferir o pessoal ou danificar o material. O operador do sistema que usa o sistema de acionamento deve exigir que todos os funcionários que trabalham com o drive leiam e entendam o manual antes de usar o drive.

Confira a Revisão de Hardware!

Verifique o número de Revisão do Hardware no produto (veja a etiqueta do produto). Esse número é a ligação entre seu produto e o manual; ele deve ser igual ao Número de Revisão do Hardware na capa do manual.

Preste atenção aos dados técnicos!

Confira os dados técnicos e especificações de conexão (plaqueta e documentação). Se os valores de tensão e corrente forem excedidos, o drive pode ser danificado. Motor inadequado ou fiação incorreta danificarão os componentes do sistema. Confira a combinação de drive e motor. Compare a tensão nominal e a corrente das unidades.

Faça avaliação de risco!

O fabricante da máquina deve produzir uma avaliação de riscos para a máquina e tomar medidas adequadas para garantir que movimentos imprevistos não resultem em lesões corporais ou em materiais danificados. Exigência adicional de profissional especialista pode resultar da avaliação de risco.

Reinicializar automaticamente!

O drive pode reinicializar automaticamente depois de ligar, queda de tensão ou interrupção da tensão de alimentação, dependendo da configuração de parâmetro. Risco de morte ou ferimento sério à humanos trabalhando na máquina.

Se o parâmetro AXIS#.ENDEFAULT for configurado como 1, coloque um aviso na máquina (Cuidado: Reinicialização Automática na Ligação) e garanta, que ligar não seja possível, enquanto humanos estejam em uma área perigosa da máquina. Caso seja usado um dispositivo de proteção de subtensão veja a EN 60204-1:2006 capítulo 7.5.



Observe componentes sensíveis eletrostaticamente!

Os dispositivos contêm componentes eletrostaticamente sensíveis, que podem ser danificados pelo manuseio incorreto. Descarregue eletrostaticamente seu corpo antes de tocar no dispositivo. Evite o contato com materiais altamente isolantes (tecidos artificiais, filme plástico, etc.). Coloque o dispositivo em uma superfície condutora.

Superfícies quentes!

Os drives podem ter superfícies quentes durante a operação. O dissipador de calor pode atingir temperaturas acima de 80°C. Risco de pequenas queimaduras! Meça a temperatura, e espere até que o dissipador de calor tenha esfriado abaixo de 40°C antes de tocá-lo.

**Terra!**

É vital que você garanta que o drive está aterrado com segurança no PE (Terra de Proteção) do barramento do painel. Risco de choque elétrico. Sem terra de baixa resistência não é possível garantir a segurança pessoal.

**Leakage Current!**

Since the leakage current to PE is more than 3.5 mA, in compliance with IEC61800-5-1 the PE connection must either be doubled or a connecting cable with a cross-section >10 mm² must be used. Deviating measures according to regional standards might be possible.

Tensões elevadas!

O equipamento produz tensões elevadas, que atingem os 900 V. As partes sob tensão do dispositivo representam perigo de vida. Não abra nem toque no equipamento durante o funcionamento. Mantenha todas as tampas e portas do quadro fechadas. As medidas de proteção incorporadas, como o isolamento ou a blindagem, não devem ser removidas. Os trabalhos na instalação elétrica só podem ser feitos por pessoal com formação e qualificado, de acordo com os regulamentos de segurança no trabalho, sempre com a eletricidade da rede cortada e com proteção contra o reinício da unidade.

Nunca desfaça uma ligação elétrica à unidade com a unidade sob tensão. Há o perigo de ocorrência de arco voltaico, que pode provocar danos nos contactos e ferimentos pessoais. Aguarde pelo menos 5 minutos após desligar a unidade da fonte de alimentação principal, antes de tocar em secções potencialmente ativas do equipamento (ex. contactos) ou desfazer quaisquer ligações.

Meça sempre a tensão no link DC-Bus e aguarde até a tensão se situar abaixo de 50 V antes de manusear os componentes.

Segurança Funcional!

A avaliação final das funções de segurança de acordo com a EN13849 ou a EN 62061 deve ser feita pelo utilizador.

Isolação Reforçada!

Os sensores térmicos, freio e feedback incorporados no motor têm isolação reforçada (de acordo com a IEC61800-5-1) contra componentes de sistemas com tensão, de acordo com a tensão de teste de aplicação requerida. Todos os componentes Kollmorgen atendem essas exigências.

Nunca modifique o drive!

Não é permitido modificar o hardware do drive sem a permissão do fabricante. Abrir a caixa causa perda de garantia.



5.1.2 Utilizar como indicado

As unidades AKD2G destinam-se exclusivamente ao acionamento de servomotores síncronos adequados com controlo em circuito fechado do binário, velocidade e/ou posição. Os AKD2G são componentes integrados em máquinas ou instalações elétricas e só podem ser operados como componentes integrantes destas máquinas ou instalações. O fabricante da máquina utilizada com uma unidade tem de gerar uma avaliação de riscos da máquina. Quando as unidades são integradas em máquinas ou instalações, a unidade só deve ser utilizada quando tiver sido estabelecido que a máquina ou instalação cumpre os requisitos das diretivas regionais.

Quadro e ligações elétricas

As unidades têm de ser operadas apenas num quadro de comando fechado que seja adequado às condições ambientais. Poderá ser necessária ventilação ou refrigeração para manter a temperatura dentro do quadro abaixo dos 40 °C (ou abaixo de 60 °C ao operar com redução de corrente).

Utilize apenas condutores de cobre para as ligações elétricas. As secções transversais do condutor podem ser derivadas da norma IEC 60204 (alternativamente, para secções transversais AWG: Tabela NEC 310-16, coluna de 75 °C).

Fonte de alimentação

As unidades podem ser alimentadas por redes de alimentação industrial de 1, 2 ou 3 fases ou CC.

As unidades da série AKD2G podem ser alimentadas da seguinte forma:

- AKD2G-Sxx-6Vxx:
redes de alimentação industrial de 1, 2 ou 3 fases (não mais de 10 kA de corrente nominal simétrica a 120 V e 240 V) ou alimentação CC.
- AKD2G-Sxx-7Vxx:
redes de alimentação industrial de 3 fases (não mais de 10 kA de corrente nominal simétrica a 240 V, 400 V e 480 V) ou alimentação CC.

A ligação a outros tipos de tensão de redes de alimentação é possível utilizando um transformador de isolamento adicional.

As sobretensões repetidas entre fases (L1, L2, L3) e a caixa da unidade não devem ultrapassar o pico de 1000 V. De acordo com a IEC 61800, os picos de tensão (< 50 µs) entre fases não devem ultrapassar os 1000 V. Os picos de tensão (< 50 µs) entre uma fase e a caixa não devem ultrapassar os 2000 V.

Tensão nominal do motor

A tensão nominal dos motores tem de ser, no mínimo, tão alta como a tensão do link DC-Bus dividida por $\sqrt{2}$ produzida pela unidade ($U_{nMotor} \geq U_{CC}/\sqrt{2}$).

Segurança Funcional

AVISO

Drives Beta:

As funções de segurança ainda não foram aprovadas nem certificadas. Não use essa funcionalidade em aplicativos com solicitação de segurança funcional até novo aviso.

AVISO

- A segurança da rede a que a unidade está ligada tem de ser garantida de acordo com os requisitos de segurança de tecnologia de informação de ponta.
- Os especialistas em TI do utilizador deverão analisar se são aplicáveis outros requisitos de segurança para assegurar a segurança funcional.

5.1.3 Utilização proibida

Outra utilização além da descrita no capítulo "Utilizar como indicado" não é a prevista e poderá levar a ferimentos do pessoal e danos no equipamento. A unidade não pode ser utilizada com uma máquina que não cumpra com as diretivas ou normas nacionais adequadas. A utilização da unidade também é proibida nos seguintes ambientes:

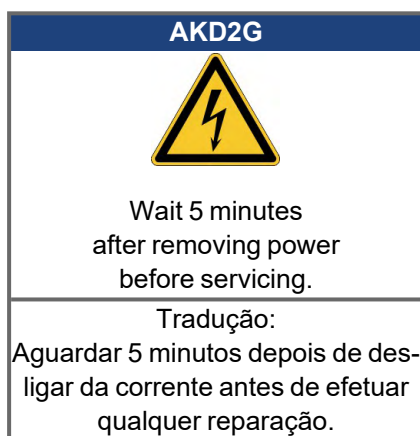
- áreas potencialmente explosivas
- ambientes com ácidos, soluções alcalinas, óleos, vapores e pós que sejam condutores de eletricidade e/ou corrosivos
- embarcações ou aplicações marítimas

AVISO

A unidade não deve ser ligada diretamente à Internet. Se a segurança da rede a que a unidade está ligada não for garantida de acordo com os requisitos de segurança de tecnologia de informação de ponta, tal poderá constituir um risco de segurança funcional.

5.1.4 Etiquetas com avisos de atenção

5.1.4.1 Avisos colocados no produto



5.1.4.2 Etiqueta adesiva na embalagem

AVISO

Siga as instruções fornecidas nas etiquetas adesivas na embalagem. Se uma etiquetas com avisos de atenção estiver danificada, tem de ser substituída imediatamente.

5.2 Como proceder durante o ciclo de vida do produto

5.2.1 Transporte

Transporte o AKD2G de acordo com a norma IEC 61800-2 conforme segue:

- Transporte efetuado apenas por pessoal qualificado para tratar da embalagem reciclável original do fabricante.
- **AVISO:** Evite choques durante o transporte.
- Vibração/choque: AKD2G é testada para a classe ambiental 2M1 da IEC 60721-3-2.
- Armazene a uma altura de empilhamento máxima igual ou inferior a 8 caixas (consulte a secção "Armazenamento" (→ # 41))
- Transporte apenas dentro do intervalo de temperatura especificado: máx. -25 a +70 °C taxa de alteração de 20 km/hora, classe 2K3.
- Transporte apenas dentro da humidade especificada: máx. 95% de humidade relativa a +40 °C, sem condensação, classe 2K3.

AVISO

As unidades contêm componentes sensíveis à eletrostática que podem ser danificados devido ao manuseamento incorreto. O utilizador deve efetuar a sua própria descarga eletrostática antes de tocar na unidade. Evite o contacto com materiais altamente isolantes, tais como, tecidos artificiais e películas de plástico. Coloque a unidade numa superfície condutora.

Se a embalagem estiver danificada, verifique se existem danos visíveis na unidade. Informe o expedidor e o fabricante sobre qualquer dano na embalagem ou produto.

5.2.2 Embalagem

A embalagem do AKD2G consiste em cartão reciclável com orifícios e uma etiqueta no exterior da caixa.

Modelo	Embalagem (mm) AxLxP	Peso total (kg)
AKD2G-Sxx-6V03 a 6V12	em processamento	4,2
AKD2G-Sxx-7V03 a 7V12	em processamento	4,3

INFORMAÇÃO

Os conectores acoplados **não** são incluídos na embalagem de uma unidade padrão. Os conectores acoplados são incluídos quando, juntamente com a unidade, são encomendados acessórios (juntar "-A" ao número do modelo).

5.2.3 Armazenamento

Armazene o AKD2G de acordo com a norma IEC 61800-2 conforme segue:

- Armazene apenas na embalagem reciclável original do fabricante.
- Armazene a uma altura de empilhamento máxima igual ou inferior a 8 caixas.
- Armazene apenas dentro do intervalo de temperatura especificado: -25 a +55 °C, taxa de alteração máxima de 20 K/hora, classe 1K4.
- Armazenamento apenas dentro da humidade especificada: 5 a 95% de humidade relativa, sem condensação, classe 1K3.
- Armazene de acordo com os seguintes requisitos de duração:
 - Menos de 1 ano: sem restrição.
 - Mais de 1 ano: os condensadores têm de ser reformados antes de configurar a unidade e de a pôr a funcionar. Os procedimentos de reforma são descritos na Kollmorgen Developer Network ([Forming](#)).

5.2.4 Instalação, configuração e operação normal

Informações sobre instalação e configuração podem ser encontradas Manual de Instalação.

Operação normal testada para classe ambiental 3K3 de acordo com EN 61800-2 .

O fabricante da máquina define o conhecimento necessário do usuário final de acordo com a avaliação de risco da máquina e descreve os requisitos para operação normal, dependendo da aplicação.

5.2.5 Desativando

AVISO

Apenas funcionários profissionais qualificados em engenharia elétrica estão habilitados a desativar partes do sistema de acionamento.

PERIGO: Tensão Leta! Há risco de lesão grave ou morte de choque elétrico ou de arco.

- Desligue a chave principal do armário de distribuição.
- Proteja o sistema contra uma ligação inadvertida.
- Bloqueie a chave principal.
- Espere pelo menos 5 minutos depois de desconectar o drive da fonte de alimentação principal.

5.2.6 Manutenção e limpeza

O dispositivo não precisa de manutenção, deve ser inspecionado uma vez por ano pela equipe profissional. A abertura do dispositivo anula a garantia.

AVISO

Não imergir ou pulverizar o dispositivo . Evite a infiltração de líquidos no aparelho. A parte interna da unidade só pode ser limpa pelo fabricante.

Para limpar a parte externa do dispositivo:

1. Desativar o dispositivo (ver capítulo 5.2.5 "Desativando").
2. Revestimento: Limpar com isopropanol ou solução de limpeza semelhante.

CUIDADO : Facilmente inflamável! Risco de ferimentos por deflagração e incêndio.

- Tenha em atenção as indicações de segurança inscritas na embalagem do produto de limpeza.
 - Após a limpeza, aguarde no mínimo 30 minutos antes de voltar a colocar o aparelho em funcionamento.
3. Grade de proteção do ventilador: Limpar com uma escova seca.

5.2.7 Desinstalando

AVISO

A substituição de componentes do sistema é de exclusiva responsabilidade de pessoal especializado, que detenham conhecimentos no domínio da eletrotécnica.

1. Desativar o dispositivo (ver capítulo 5.2.5 "Desativando").
2. Verifique a temperatura.

CUIDADO: Alta temperatura! Risco de pequenas queimaduras. Durante a operação, o dissipador de calor do drive pode atingir temperaturas acima de 80 °C (176 °F). Antes de tocar no dispositivo, verifique a temperatura e espere até que ela esfrie para menos de 40 °C (104 °F).

3. Remova os conectores. Desconecte a última conexão de aterramento potencial.
4. Desmontar: Desaperte os parafusos de fixação e retire o aparelho.

5.2.8 Reparo

AVISO

A substituição de componentes do sistema é da exclusiva responsabilidade de pessoal especializado, que detenham conhecimentos no domínio da eletrotécnica.

CUIDADO: Início Automático! Durante o procedimento de substituição, pode ocorrer uma combinação de riscos e múltiplos episódios.

- Qualquer trabalho na instalação elétrica deve ser desempenhado apenas por funcionários treinados e qualificados, em conformidade com as normas de segurança no trabalho, e somente com o uso de equipamento de segurança individual recomendado.

Substituição o aparelho

Só o fabricante pode reparar o aparelho. A abertura do - representa a perda da garantia.

1. Desativar o dispositivo (ver capítulo 5.2.5 "Desativando").
2. Desmontar o dispositivo (ver capítulo 5.2.7 "Desinstalando")
3. Envie o aparelho para o fabricante.
4. Instale um novo aparelho conforme a descrição no Manual de Instalação.
5. Inicie o sistema conforme a descrição no Manual de Instalação.

Substituição de outras peças do sistema de acionamento

Se for necessário substituir peças do sistema de acionamento (por exemplo, cabos), proceda da seguinte forma:

1. Desativar o dispositivo (ver capítulo 5.2.5 "Desativando").
2. Substitua as peças.
3. Verifique a fixação correta das uniões de encaixe.
4. Inicie o sistema conforme a descrição no Manual de Instalação.

5.2.9 Eliminação

AVISO

Para a eliminação do aparelho em conformidade com as normas técnicas entre em contacto com uma entidade certificada que se dedique à reciclagem ou reaproveitamento de componentes electrónicos.

Em conformidade com as orientações WEEE-2012/19/EU e similares, o fabricante aceita devoluções de dispositivos e acessórios antigos para descarte profissional. Os custos de envio são da responsabilidade do remetente.

Sente-se com Kollmorgen em conexão e esclarecer a logística.

Envie os dispositivos, na embalagem original, para os endereços do fabricante:

North America KOLLMORGEN 201 West Rock Road Radford, VA 24141, USA	América do Sul KOLLMORGEN Avenida João Paulo Ablas, 2970 Jardim da Glória, Cotia – SP CEP 06711-250, Brazil
Europe KOLLMORGEN Europe GmbH Pempelfurtstr. 1 40880 Ratingen, Germany	Ásia KOLLMORGEN Room 302, Building 5, Lihpao Plaza, 88 Shenbin Road, Minhang District, Shanghai, China.

6 Español

6.1 Seguridad del producto	45
6.1.1 Debe prestar atención a las siguientes indicaciones	45
6.1.2 Usar según las indicaciones	47
6.1.3 Uso prohibido	48
6.1.4 Etiquetas de notas de advertencia	48
6.2 Manipulación del ciclo de vida del producto	49
6.2.1 Transporte	49
6.2.2 Embalaje	49
6.2.3 Almacenamiento	49
6.2.4 Instalación, configuración y operación normal	50
6.2.5 Desmantelamiento	50
6.2.6 Mantenimiento y limpieza	50
6.2.7 Desinstalación	50
6.2.8 Reparación	51
6.2.9 Eliminación	51

6.1 Seguridad del producto

6.1.1 Debe prestar atención a las siguientes indicaciones

¡Se necesita personal especializado!

Los dispositivos están destinados a aplicaciones industriales. Los fabricantes de maquinaria deben emplear personal calificado. El personal calificado son personas que han sido capacitadas para transportar, instalar, poner en servicio y operar accionamientos eléctricos.

- Transporte, almacenamiento, desembalaje: solo personal con conocimientos en el manejo de componentes con sensibilidad electrostática.
- Instalación mecánica: solo personal con experiencia en mecánica.
- Instalación eléctrica: solo personal con experiencia en electrotécnica.
- Pruebas básicas: solamente personal apto con conocimientos de ingeniería eléctrica y tecnología de la unidad.

El personal apto debe conocer y observar las normas ISO 12100, IEC 60364 y IEC 60664 y regulaciones nacionales sobre prevención de accidentes.

¡Lea la documentación!

Antes del montaje y de la puesta en funcionamiento, lea detenidamente la presente documentación. La manipulación incorrecta del dispositivo puede provocar daños personales o materiales. Por este motivo, el operador debe asegurarse de que todas las personas que vayan a realizar trabajos en el dispositivo hayan leído y comprendido.

¡Compruebe la revisión del hardware!

Compruebe el número de revisión del hardware del producto (consulte la etiqueta del producto). Este número es el enlace entre el producto y el manual, y debe coincidir con el número de revisión de hardware de la cubierta del manual.

¡Preste atención a los datos técnicos!

La conservación de los datos técnicos y los referentes a las condiciones de conexión (placa de identificación y documentación) es obligatoria. Si se sobrepasan los valores de tensión admisible o actual, pueden dañarse los dispositivos. Un motor inapropiado o un cableado incorrecto provocará daños en los componentes del sistema. Compruebe la combinación del sistema y del motor. Compare la corriente y la tensión nominal de las unidades.

¡Realice una valoración de los riesgos!

El fabricante de la máquina debe elaborar una evaluación de riesgos de la máquina y tomar las medidas apropiadas para garantizar que los movimientos imprevistos no ocasionen lesiones al personal ni daños materiales.

¡Reinicio automático!

La unidad puede reiniciarse automáticamente tras encenderse, experimentar una caída de tensión o sufrir una interrupción en la alimentación en función de los ajustes de los parámetros. El personal que manipule la máquina puede sufrir lesiones graves o incluso mortales. Si el parámetro `AXIS#.ENDEFAULT` está fijado en 1, coloque una señal de advertencia en la máquina (Advertencia: reinicio automático al encender) y asegúrese de que no pueda encenderse si hay alguien dentro de la zona de riesgo de la máquina. En caso de utilizar un dispositivo de protección contra bajas tensiones, deberá cumplir lo estipulado en la norma EN 60204-1.



¡Tenga cuidado con los componentes sensibles a la electricidad electrostática!

Las unidades contienen componentes sensibles a la electrostática que pueden dañarse por causa de la manipulación incorrecta. Descargue la electricidad electrostática de su cuerpo antes de tocar la unidad. Evite el contacto con materiales altamente aislantes (tejidos artificiales, película de plástico, etc.). Ubique la unidad en una superficie conductiva.

¡Superficie caliente!

Durante el funcionamiento, los motores pueden tener superficies calientes según la clase de protección. Riesgo de quemaduras! La temperatura de las superficies puede alcanzar 80°C. Mida la temperatura y, antes de tocar el motor, espere hasta que se haya enfriado a 40°C.

¡Toma de tierra!

Es importante que se asegure de que la unidad está conectada a tierra a través de la barra colectora PE (tierra de protección) del armario de distribución. Riesgo de descargas eléctricas. Sin una conexión a tierra de baja resistencia, no se puede garantizar la protección personal.

¡Corriente de fuga!

Ya que la corriente de fuga a PE es superior a 3,5 mA, de acuerdo con la norma IEC61800-5-1, debe duplicarse la conexión PE o debe utilizarse un cable de conexión con una sección transversal mayor de 10 mm². Es posible que las medidas varíen de acuerdo con los estándares regionales.

¡Altas tensiones!

El equipo genera tensiones eléctricas elevadas de hasta 900 V. Las partes activas del dispositivo conllevan un peligro mortal. No abra ni toque el equipo durante el funcionamiento. Mantenga todas las cubiertas y puertas del armario de distribución cerradas. Las medidas de protección integradas, como el aislamiento o el blindaje, no deben retirarse. Solo el personal formado y cualificado puede trabajar en la instalación eléctrica, de acuerdo con las regulaciones sobre seguridad en el trabajo y únicamente con el suministro de electricidad cortado y asegurado contra reinicios.

No manipule nunca las conexiones eléctricas del sistema cuando se encuentren bajo tensión. Existe peligro de que se produzca un arco eléctrico con daños en los contactos y lesiones personales. Espere por lo menos 5 minutos después de desconectar la unidad del suministro principal de corriente antes de tocar partes del equipo conductoras (por ejemplo, contactos) o de retirar cualquier conexión.

Mida siempre la tensión en la conexión del bus de CC y espere a que la tensión sea inferior a 50 V antes de manipular los componentes.

Seguridad funcional.

El usuario debe llevar a cabo la evaluación de las funciones de seguridad de acuerdo con las normas EN 13849 o EN 62061.

¡Aislamiento reforzado!

Los sensores térmicos, los frenos de parada del motor y los sistemas de retroalimentación integrados en el motor conectado deben disponer de un aislamiento reforzado (de acuerdo con la norma IEC61800-5-1) para los componentes del sistema con tensión de alimentación, según la tensión de prueba necesaria para la aplicación. Todos los componentes de Kollmorgen cumplen estos requisitos.

¡No modifique nunca la unidad!

No está permitido modificar el hardware del servoamplificador sin permiso del fabricante. Abrir la carcasa provoca la pérdida de la garantía.

6.1.2 Usar según las indicaciones

Los sistemas AKD2G están diseñados exclusivamente para controlar servomotores síncronos adecuados con un control de par, velocidad y/o posición de bucle cerrado.

Los AKD2G son componentes integrados en plantas eléctricas o en máquinas y que solo se pueden usar como componentes integrales de dichas plantas o máquinas. El fabricante de la máquina usada con un sistema debe generar una evaluación de riesgos de la máquina. Cuando los sistemas están integrados en máquinas o plantas, el sistema no deberá utilizarse hasta que se haya determinado que la máquina cumple los requisitos de las directivas regionales.

Armario de distribución y cableado

Los sistemas solo se deben usar en un armario de distribución cerrado adecuado a las condiciones ambientales. Para mantener la temperatura del armario de distribución por debajo de 40 °C (o por debajo de 60 °C cuando funciona con reducción de corriente), puede ser necesario ventilar o enfriar.

Para el cableado use solamente conductores de cobre. Las secciones transversales del conductor se pueden obtener en el estándar IEC 60204 (de manera alternativa para las secciones AWG: Tabla NEC 310-16, columna de 75 °C).

Fuente de alimentación

Los sistemas pueden abastecerse con redes de suministro industriales de fases 1, 2 o 3 o de CC.

Los sistemas de la serie AKD2G pueden suministrarse del modo siguiente:

- AKD2G-Sxx-6Vxx:
Redes de suministro industrial de fases 1, 2 o 3 (no superior a una corriente nominal simétrica de 10 kA a 120 V y 240 V) o suministro de CC.
- AKD2G-Sxx-7Vxx:
Redes de suministro industrial de 3 fases (no superior a una corriente nominal simétrica de 10 kA a 240 V, 400 V y 480 V) o suministro de CC.

Es posible realizar la conexión a otros tipos de tensiones de redes de suministro con un transformador de aislamiento adicional.

Las sobretensiones repetidas entre fases (L1, L2, L3) y el alojamiento del sistema no deben superar los 1000 V. De acuerdo con la norma IEC 61800, los picos de tensión (< 50 µs) entre fases no deben superar los 1000 V. Los picos de tensión (< 50 µs) entre una fase y el alojamiento no deben superar los 2000 V.

Tensión nominal del motor

La tensión nominal de los motores debe ser al menos tan elevada como la tensión de la conexión del bus de CC dividida entre $\sqrt{2}$ producida por el sistema ($U_{nMotor} \geq U_{CC}/\sqrt{2}$).

Seguridad funcional

AVISO

Si la unidad tiene la etiqueta Beta, las funciones de seguridad no están aprobadas ni certificadas todavía. No utilice esta funcionalidad en aplicaciones con solicitud de seguridad funcional hasta nuevo aviso.

AVISO

- La red a la que está conectada el sistema debe protegerse de acuerdo con los requisitos de seguridad de tecnología de la información más vanguardistas.
- Los especialistas en TI de los usuarios deberán analizar si se deben aplicar más requisitos de seguridad para garantizar la seguridad funcional.

6.1.3 Uso prohibido

No está previsto ningún otro uso que el indicado en el capítulo "Usar según las indicaciones", que podría provocar lesiones personales o daños en el equipo. El sistema no puede usarse con una máquina que no cumpla las directivas o los estándares nacionales pertinentes. También está prohibido el uso del sistema en los siguientes entornos:

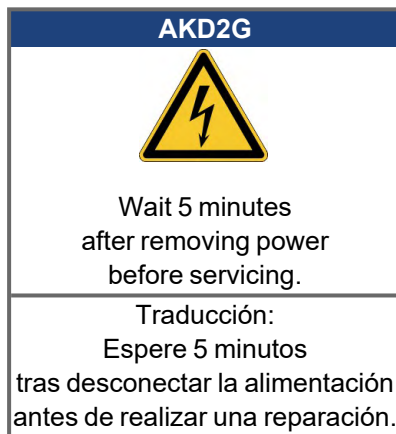
- áreas potencialmente explosivas
- entornos con ácidos conductores corrosivos y/o eléctricos, soluciones alcalinas, aceites, vapores, polvo
- barcos o aplicaciones marítimas

AVISO

El sistema no debe conectarse directamente a Internet. Si la red a la que está conectada el sistema no está protegida de acuerdo con los requisitos de seguridad de tecnología de la información más vanguardistas, esto podría constituir un riesgo para la seguridad funcional.

6.1.4 Etiquetas de notas de advertencia

6.1.4.1 Las notas deben colocarse sobre el producto



6.1.4.2 Etiqueta adhesiva en el paquete

AVISO

Siga las instrucciones dadas en las etiquetas adhesivas en el paquete. Si hay una etiqueta de nota de advertencia dañada, deberá sustituirse inmediatamente.

6.2 Manipulación del ciclo de vida del producto

6.2.1 Transporte

Transporte el AKD2G de acuerdo con IEC 61800-2 tal y como se indica a continuación:

- Transpórtelo solamente por personal cualificado en el embalaje reciclable original del fabricante.
- **AVISO:** Evite choques durante el transporte.
- Vibración/Choque: AKD2G está probado para la clase medioambiental 2M1 de IEC 60721-3-2.
- Almacénelo a una altura de apilado máxima de 8 cajas o inferior (consulte "Almacenamiento" (→ # 49))
- Realice el transporte solamente dentro de los rangos de temperatura especificados: -25 a +70 °C, tasa de cambio máx. 20 K/hora, clase 2K3.
- Realice el transporte solamente a la humedad especificada: máx. 95 % de humedad relativa a +40 °C, sin condensación, clase 2K3.

AVISO

Los sistemas contienen componentes sensibles a la electricidad electrostática que pueden resultar dañados si no se manejan correctamente. Descárguese electrostáticamente antes de tocar el sistema. Evite el contacto con materiales altamente aislantes como, por ejemplo, tejidos artificiales y películas de plástico. Coloque el sistema sobre una superficie conductora.

Si el embalaje está dañado, compruebe si la unidad tiene daños visibles. Informe al transportista y al fabricante de cualquier daño en el embalaje o en el producto.

6.2.2 Embalaje

El embalaje del AKD2G está hecho de cartón reciclable con encartes y una etiqueta en la parte exterior de la caja.

Modelo	Paquete (mm) altura x ancho x longitud	Peso total (kg)
AKD2G-Sxx-6V03 a 6V12	en curso	4,2
AKD2G-Sxx-7V03 a 7V12	en curso	4,3

INFORMACIÓN

Los conectores correspondientes **no** se incluyen en el paquete de un sistema estándar. Los conectores correspondientes se incluyen cuando se pide el sistema con accesorios (añada "-A" al número del modelo).

6.2.3 Almacenamiento

Almacene el AKD2G de acuerdo con IEC 61800-2 tal y como se indica a continuación:

- Almacénelo solamente en el embalaje reciclable original del fabricante.
- Almacénelo a una altura de apilado máxima de 8 cajas o inferior.
- Almacénelo solo dentro de los rangos de temperatura especificados: -25 a +55 °C, rango de cambio máx. 20 K/hora, clase 1K4.
- Almacénelo solo a la humedad especificada: 5 a 95 % de humedad relativa, sin condensación, clase 1K3.
- Almacénelo de acuerdo con los siguientes requisitos de duración:
 - Menos de 1 año: sin restricciones.
 - Más de 1 año: es necesario modificar los condensadores antes de configurar y utilizar el sistema. Los procedimientos de modificación se describen en la red de desarrolladores de Kollmorgen ([Formación](#)).

6.2.4 Instalación, configuración y operación normal

La información sobre instalación y configuración se puede encontrar en Manual de instrucciones.

Funcionamiento normal probado para clase ambiental 3K3 según EN 61800-2 .

El fabricante de la máquina define la experiencia requerida del usuario final de acuerdo con la evaluación de riesgos de la máquina y describe los requisitos para el funcionamiento normal en función de la aplicación.

6.2.5 Desmantelamiento

AVISO

Solo el personal profesional que esté cualificado en electrotecnia puede desmantelar piezas del sistema.

PELIGRO: ¡Voltaje letal! Existe el riesgo de lesiones graves o mortales debido a choque eléctrico o arco eléctrico.

- Apague el interruptor principal del armario eléctrico.
- Asegure el sistema contra reinicios
- Bloquear el interruptor principal.
- Espere al menos 5 minutos después de desconectar la unidad del suministro de energía principal.

6.2.6 Mantenimiento y limpieza

La unidad no requiere mantenimiento, debe ser inspeccionado una vez al año por el personal profesional. Si abre la unidad, se anulará la garantía. La limpieza del interior de la unidad solo puede realizarla el fabricante.

AVISO

No sumerja ni pulverice la unidad. Evite que el líquido entre en el dispositivo.

Para limpiar el exterior de la unidad:

1. Desmantelar el dispositivo (consulte el capítulo 6.2.5 "Desmantelamiento").
2. Carcasa: limpie con alcohol isopropílico o una solución de limpieza similar.

ATENCIÓN: ¡Altamente inflamable! Riesgo de lesiones por explosión e incendio.

- Respete las notas de seguridad incluidas en el paquete del líquido de limpieza.
 - Espere al menos 30 minutos tras realizar la limpieza antes de utilizar de nuevo el dispositivo.
3. Parrilla de protección del ventilador: limpie con un cepillo seco.

6.2.7 Desinstalación

AVISO

Solo el personal profesional que esté cualificado en electrotecnia puede cambiar piezas del sistema de potencia.

Retire el dispositivo

1. Desmantelar el dispositivo (consulte el capítulo 6.2.5 "Desmantelamiento").
2. Compruebe la temperatura.

ATENCIÓN: ¡Alta temperatura! Riesgo de quemaduras leves. Durante la operación, el disipador térmico de la unidad puede alcanzar temperaturas superiores a los 80 °C (176 °F). Antes de tocar el dispositivo, compruebe la temperatura y espere hasta que se haya enfriado a 40 °C (104 °F).

3. Quite los conectores. Por último, desconecte la posible conexión a tierra.
4. Desinstale: afloje los tornillos de fijación. Extraiga el dispositivo.

6.2.8 Reparación

AVISO

Solo el personal profesional que esté cualificado en electrotecnia puede cambiar piezas del sistema de potencia.

ATENCIÓN: ¡Inicio automático! Durante las tareas de sustitución, pueden producirse varios incidentes y situaciones peligrosas.

- Solo el personal formado y cualificado puede trabajar en la instalación eléctrica, de acuerdo con las regulaciones sobre seguridad en el trabajo y usando únicamente el equipo de seguridad personal prescrito.

Cambio del dispositivo

Solamente el fabricante puede reparar el dispositivo. Si abre el dispositivo se anula la garantía.

1. Desmantelar el dispositivo (consulte el capítulo 6.2.5 "Desmantelamiento").
2. Desinstalar el dispositivo (consulte el capítulo 6.2.7 "Desinstalación").
3. Envíe el dispositivo al fabricante.
4. Instale un nuevo dispositivo como se describe en el Manual de Instalación.
5. Configure el sistema como se describe en el Manual de Instalación.

Cambio de otras piezas del sistema de potencia

Si deben sustituirse piezas del sistema de potencia (por ejemplo, los cables), siga el procedimiento que se indica a continuación:

1. Desmantelar el dispositivo (consulte el capítulo 6.2.5 "Desmantelamiento").
2. Cambie las piezas.
3. Compruebe que todas las conexiones estén bien fijadas.
4. Configure el sistema como se describe en el Manual de Instalación.

6.2.9 Eliminación

AVISO

Para desechar la unidad correctamente, póngase en contacto con una empresa de reciclaje de aparatos electrónicos certificada.

De acuerdo con la directiva WEEE-2012/19/EU y leyes similares, el fabricante acepta la devolución de dispositivos y accesorios viejos para una eliminación profesional. Los costos de transporte están a cargo del remitente.

Póngase en contacto con Kollmorgen y clarificar la logística.

Envíe los dispositivos en el embalaje original a las direcciones de los fabricantes:

América del Norte KOLLMORGEN 201 West Rock Road Radford, VA 24141, USA	América del Sur KOLLMORGEN Avenida João Paulo Ablas, 2970 Jardim da Glória, Cotia – SP CEP 06711-250, Brazil
Europe KOLLMORGEN Europe GmbH Pempelfurtstr. 1 40880 Ratingen, Germany	Asia KOLLMORGEN Room 302, Building 5, Lihpao Plaza, 88 Shenbin Road, Minhang District, Shanghai, China.

7 Русский

7.1 Безопасность изделия	53
7.1.1 Необходимо обратить внимание на следующее	53
7.1.2 Использование по назначению	55
7.1.3 Запрещенное использование	56
7.1.4 Предупредительные таблички	56
7.2 Обработка жизненного цикла продукта	57
7.2.1 Транспортировка	57
7.2.2 Упаковка	57
7.2.3 Хранение	57
7.2.4 Установка, настройка и нормальная работа	58
7.2.5 Вывод из эксплуатации	58
7.2.6 Техническое обслуживание и очистка	58
7.2.7 Демонтаж	58
7.2.8 Ремонт	59
7.2.9 Утилизация	59

7.1 Безопасность изделия

7.1.1 Необходимо обратить внимание на следующее

Следует обратиться к специалисту!

Устройства предназначены для промышленного применения. Машиностроители должны иметь квалифицированный персонал. Квалифицированный персонал - это люди, прошедшие обучение по транспортировке, установке, вводу в эксплуатацию и эксплуатации электроприводов.

- Транспортировка, хранение, распаковка: только персонал, умеющий работать с компонентами, чувствительными к электростатическому разряду.
- Механический монтаж: только персонал, профессионально компетентный в области механики.
- Электрический монтаж: только персонал, профессионально компетентный в области электротехники.
- Ввод в эксплуатацию: только специалистами с обширными знаниями в области электротехники и приводной техники

Кроме того, специалисты должны знать и соблюдать стандарты ISO 12100, IEC 60364, IEC 60664, а также национальные правила техники безопасности.

Чтение документации

Перед монтажом и вводом в эксплуатацию прочитайте настоящую документацию. Неправильное обращение с сервоусилителем может стать причиной физического или материального ущерба. Эксплуатирующее предприятие должно проследить за тем, чтобы все лица, допущенные к работам на система привода, прочитали руководство и поняли его содержание, а также должно обеспечить соблюдение указаний по технике безопасности, изложенных в этом руководстве.

Проверка аппаратной части

Проверьте номер версии аппаратного обеспечения (см. заводскую табличку). Этот номер позволяет соотнести вашу систему с руководством, он должен совпадать с номером модели на обложке руководства.

Соблюдение технических данных

Соблюдайте технические данные и указания по условиям подключения (заводская табличка и документация). В случае превышения допустимых значений напряжения или величин тока сервоусилители могут быть повреждены. Неподходящий двигатель или неправильная кабельная разводка может стать причиной повреждения компонентов системы. Проверьте комбинацию привода и двигателя. Сравните номинальное напряжение и ток узлов.

Выполнение анализа опасных ситуаций

Изготовитель машины должен выполнить для нее анализ опасных ситуаций и принять соответствующие меры, чтобы непредвиденные движения не могли привести к физическому или материальному ущербу. Анализ опасных ситуаций предъясняет дополнительные требования к специалистам.

Автоматический повторный пуск

Привод может запускаться автоматически в зависимости от настройки параметров после включения сетевого напряжения, после провалов напряжения или других прерываний. Для персонала, работающего с машиной, существует опасность тяжелых или смертельных травм. Если параметр AXIS#.ENDEFAULT установлен на 1, разместите на машине предупреждающую табличку (Внимание: Автоматический пуск после включения!) и обеспечьте невозможность включения напряжения электросети, пока персонал находится в опасной зоне машины. Если вы используете защиту от пониженного напряжения, обратитесь к главе 7.5 EN 60204-1:2006.



Элементы, чувствительные к электростатическому воздействию

Сервоусилители включают в себя элементы, чувствительные к электростатическому воздействию, которые могут быть повреждены в результате неквалифицированного обращения. Перед прикосновением к сервоусилителю снимите со своего тела электростатический заряд. Избегайте контакта с электростатическими материалами (синтетическое волокно, синтетическая пленка и т.п.). Ставьте сервоусилитель на электропроводящее основание.



Горячая поверхность

Поверхности сервоусилителей могут сильно нагреваться во время работы. Температура радиатора может превышать 80°C. Опасность легких ожогов. Перед прикосновением проверьте температуру радиатора и подождите, пока она не опустится ниже 40 °C.



Заземление

Обеспечьте надлежащее заземление сервоусилителя РЕ-шиной в электрошкафу, служащей опорным потенциалом. Опасность поражения электрическим током. В отсутствие низкоомного заземления безопасность персонала не гарантируется. Существует опасность для жизни вследствие поражения электрическим током.

Ток утечки

Если ток утечки к защитному заземлению превышает 3,5 мА, то в соответствии с IEC61800-5-1 необходимо дублировать соединение защитного заземления или использовать соединительный кабель сечением >10 мм². В соответствии с региональными стандартами могут быть предприняты меры по отведению тока.



Высокое напряжение!

Оборудование генерирует высокое электрическое напряжение – до 900 В. Контакт с деталями привода, находящимися под напряжением, опасен для жизни.

Запрещается открывать оборудование во время работы или прикасаться к нему.

Все крышки и дверцы шкафов должны быть закрыты. Запрещается демонтировать встроенные защитные системы, в частности, изоляцию или экраны.

Электромонтажные работы могут выполняться только обученным и квалифицированным персоналом в соответствии с правилами безопасности на рабочем месте и только при выключенном и заблокированном главном выключателе. Запрещается разъединять любые электрические разъемы на приводе, находящемся под напряжением. Существует опасность возникновения электрической дуги с последующим повреждением контактов и причинением травм. Выждите не менее 5 минут после отключения привода от основного источника питания, прежде чем прикасаться к потенциально опасным зонам оборудования (например, контактам) или разъединять любые соединения.

Прежде чем приступить к работе с компонентами, обязательно измерьте напряжение в звене постоянного тока и дождитесь его снижения до величины менее 50 В.

Функциональная безопасность!

Окончательная оценка функций безопасности в соответствии с EN13849 или EN 62061 выполняется пользователем.

Усиленная изоляция

Установленные в двигателе термодатчики, тормоза и датчики обратной связи в отличие от системных компонентов с силовым питанием должны иметь усиленную изоляцию (согласно EN 61800-5-1), которая соответствует необходимому испытательному напряжению системы.

Запрещается вносить изменения в приборы

Запрещается изменять оборудование сервоусилителя без разрешения производителя. Открытие корпуса вызывает потерю гарантии.

7.1.2 Использование по назначению

Приводы AKD2G предназначены исключительно для привода подходящих синхронных серводвигателей с управлением крутящим моментом, частотой вращения и / или положением с обратной связью. AKD2G встраиваются в электрические установки или машины и могут эксплуатироваться исключительно в качестве встроенных компонентов этих установок или машин. Производитель машины, в которой используется привод, должен выполнить оценку рисков для машины. Если приводы встраиваются в машины или установки, эксплуатация привода разрешается только после того, как будет установлено, что машина или установка соответствует директивам, действующим в стране эксплуатации.

Электрический шкаф и проводка

Эксплуатация приводов разрешена только в закрытом шкафу управления, соответствующем условиям окружающей среды. Может потребоваться обеспечить вентиляцию или охлаждение для поддержания температуры внутри шкафа ниже 40 °C (или ниже 60 °C при работе с понижением тока).

Для кабельной разводки используйте только медные провода. Сечение проводов определяется стандартом IEC 60204 (альтернатива сечению AWG: NEC таблица 310-16, графа 75 °C).

Источник питания

Приводы могут питаться от 1, 2 или 3-х фазных сетей или промышленных сетей постоянного тока.

Для приводов серии AKD2G питание может быть реализовано следующим образом:

- AKD2G-Sxx-6Vxx: 1~, 2~ или 3~ промышленные электрические сети (симметричный номинальный ток не более 10 кА при 120 В и 240 В) или источник постоянного тока.
- AKD2G-Sxx-7Vxx: 3~ промышленные электрические сети (симметричный номинальный ток не более 10 кА при 240 В, 400 В и 480 В) или источник постоянного тока.

Для подключения к электрическим сетям другого типа потребуется дополнительный изолирующий трансформатор.

Многokратные перенапряжения между фазами (L1, L2, L3) и корпусом привода не должны превышать пикового значения 1000 В. В соответствии с IEC 61800 броски напряжения (< 50 мкс) между фазами не должны превышать 1000 В. Броски напряжения (< 50 мкс) между любой фазой и корпусом не должны превышать 2000 В.

Номинальное напряжение двигателя

Номинальное напряжение двигателей не должно быть ниже напряжения звена постоянного тока, разделенного на $\sqrt{2}$ и генерируемого приводом ($U_{nMotor} \geq U_{DC} / \sqrt{2}$).

Функциональная безопасность

УКАЗАНИЕ

Приводы бета: Функции безопасности еще не утверждены и не сертифицированы. Не используйте эту функцию в приложениях с запросом функциональной безопасности до дальнейшего уведомления.

УКАЗАНИЕ

- Сеть, к которой подключен привод, должна быть защищена в соответствии с современными требованиями к безопасности информационных сетей.
- IT-специалисты пользователя должны определить, применимы ли дополнительные требования к безопасности для обеспечения функциональной безопасности.

7.1.3 Запрещенное использование

Запрещается использовать устройство в целях, отличающихся от изложенных в главе «Использование по назначению», так как это может привести к травмам персонала и повреждению оборудования. Привод не может использоваться в машине, не соответствующей подходящим национальным директивам или стандартам. Кроме того, запрещается использовать привод в следующих средах:

- в потенциально взрывоопасных зонах
- в присутствии коррозионно-активных и / или электропроводящих кислот, щелочных растворов, масел, паров, пыли
- на судах или морских установках

УКАЗАНИЕ

Запрещается прямое подключение привода к интернету. Если сеть, к которой подключен привод, не защищена в соответствии с современными требованиями к безопасности информационных сетей, такое состояние считается риском для функциональной безопасности.

7.1.4 Предупредительные таблички

7.1.4.1 Таблички, размещенные на изделии



7.1.4.2 Наклейка в упаковке

УКАЗАНИЕ

Следуйте инструкциям, приведенным на наклейках на упаковке. Поврежденные предупредительные таблички подлежат немедленной замене.

7.2 Обработка жизненного цикла продукта

7.2.1 Транспортировка

При транспортировке AKD2G следует руководствоваться стандартом IEC 61800-2:

- Изделие должно транспортироваться только квалифицированным персоналом в оригинальной экологичной упаковке.
- **УКАЗАНИЕ:** Избегайте ударов при транспортировке.
- Вибрация / удары: AKD2G испытан на экологический класс 2M1 по IEC 60721-3-2.
- При хранении высота штабеля не должна превышать 8 рядов (см. (→ # 57))
- При транспортировке должен соблюдаться температурный диапазон: -25 до +70 °C, макс. скорость изменения 20 К/час, класс 2К3.
- При транспортировке должен соблюдаться диапазон влажности: относительная влажность не выше Относительная влажность 95% при +40°C, без конденсации, класс 2К3.

УКАЗАНИЕ

Приводы содержат компоненты, которые чувствительны к электростатическому разряду и могут быть повреждены при некорректном обращении. Необходимо сбросить электростатический разряд с тела перед прикосновением к приводу. Избегайте контакта с материалами с высоким термическим сопротивлением, такими как искусственные ткани и полимерные пленки. Установите привод на проводящую поверхность.

В случае повреждения упаковки проверьте изделие на отсутствие видимых повреждений. Проинформируйте перевозчика и производителя о любых повреждениях упаковки или продукта.

7.2.2 Упаковка

Упаковка AKD2G содержит картон, пригодный для повторного использования, со вкладышами и табличкой на наружной стороне коробки.

Модель	Упаковка (мм) ВхШхД	Общая масса (кг)
AKD2G-Sxx-6V03 – 6V12	в процессе	4,2
AKD2G-Sxx-7V03 – 7V12	в процессе	4,3

INFO

Съемные части разъемов **не** входят в комплект поставки стандартного привода. Съемные части разъемов входят в комплект поставки, если привод заказан с дополнительным оборудованием (добавьте «-А» к номеру модели).

7.2.3 Хранение

При транспортировке AKD2G следует руководствоваться стандартом IEC 61800-2:

- Изделие должно храниться только в оригинальной упаковке.
- При хранении высота штабеля не должна превышать 8 рядов.
- При хранении должен соблюдаться температурный диапазон: от -25 до +55 °C, макс. скорость изменения 20 К/час, класс 1К4.
- При хранении должен соблюдаться диапазон влажности: относительная влажность от 5 до 95%, без конденсации, класс 1К3.
- При хранении должны выполняться следующие требования к срокам хранения:
 - Менее 1 года: без ограничений.
 - Более 1 года: перед настройкой и вводом привода в эксплуатацию необходимо повторное формование конденсаторов. Описание процедур повторного формования приведено на портале разработчиков Kollmorgen ([Формование](#)).

7.2.4 Установка, настройка и нормальная работа

Информация об установке и настройке приведена в руководстве по установке.

Обычная работа протестирована для экологического класса ЗКЗ в соответствии с EN 61800-2. Производитель машины определяет необходимый опыт конечного пользователя в соответствии с оценкой риска для машины и описывает требования к нормальной работе в зависимости от приложения.

7.2.5 Вывод из эксплуатации

УКАЗАНИЕ

К выводу частей системы привода из эксплуатации допускаются только квалифицированные сотрудники, специализирующиеся в области электротехники.

ОПАСНО: Смертельное напряжение! Существует риск серьезной травмы или смерти от поражения электрическим током или электрической дуги.

- Выключите главный выключатель электрошкафа.
- Заблокируйте систему от повторного включения.
- Заблокируйте главный выключатель.
- После отключения сервоусилителя от питающего напряжения подождите не менее 5 минут.

7.2.6 Техническое обслуживание и очистка

Сервоусилители не требуют техобслуживания, оно должно быть проверено один раз в год профессиональным персоналом. В случае вскрытия устройства гарантия теряет силу. Чистка прибора внутри может выполняться только изготовителем.

УКАЗАНИЕ

Не погружайте сервоусилитель в жидкость и не опрыскивайте его. Не допускайте попадания жидкости в устройство.

Чистка сервоусилителя снаружи выполняется так:

1. Вывод устройства из эксплуатации (см. главу 7.2.5 "Вывод из эксплуатации").
2. Корпус: очистка изопропанолом или аналогичным средством.

ОСТОРОЖНО: Легко воспламеняется! Опасность получения травмы от взрыва и пожара.

- Соблюдайте указания на упаковке чистящего средства по его безопасному использованию.
 - Ввод в эксплуатацию не ранее, чем через 30 минут после уборки.
3. Защитная решетка вентилятора: очистка сухой кисточкой.

7.2.7 Демонтаж

УКАЗАНИЕ

Замену компонентов системы должны выполнять только специалисты электрики.

1. Вывод устройства из эксплуатации (см. главу 7.2.5 "Вывод из эксплуатации").
2. Проверьте температуру.

ОСТОРОЖНО: Высокая температура! Опасность легких ожогов. Во время работы температура радиатора может превышать 80 °C. Перед прикосновением проверьте темпер. радиатора и подождите, пока она не опустится ниже 40 °C.

3. Отсоедините все штекерные разъемы. Последним отсоедините провод заземления.
4. Демонтаж: Выверните крепёжные винты и демонтируйте устройство.

7.2.8 Ремонт

УКАЗАНИЕ

Замену компонентов системы должны выполнять только специалисты электрики.

ОПАСНО: Автоматический пуск! Во время работ по замене возможны комбинированные и неоднократные опасные ситуации.

- Электромонтажные работы могут выполняться только обученным и квалифицированным персоналом в соответствии с правилами безопасности на рабочем месте и только при условии использования предписанных средств индивидуальной защиты.

Устройство Замена

Ремонт блока может только изготовитель. Вскрытие устройства означает потерю гарантии.

1. Вывод устройства из эксплуатации (см. главу 7.2.5 "Вывод из эксплуатации").
2. Демонтаж (Смотрите раздел 7.2.7 "Демонтаж").
3. Отправьте устройство изготовителю.
4. Установите новое устройство, как описано в Руководстве по установке.
5. Настройте систему, как описано в Руководстве по установке.

Замена прочих деталей приводной системы

Если детали приводной системы (например кабели) нуждаются в замене, действуйте следующим образом:

1. Вывод устройства из эксплуатации (см. главу 7.2.5 "Вывод из эксплуатации").
2. Замените детали.
3. Проверьте все штекерные разъёмы на правильность подсоединения.
4. Настройте систему, как описано в Руководстве по установке.

7.2.9 Утилизация

УКАЗАНИЕ

Для надлежащей утилизации устройства обращайтесь в сертифицированную фирму по утилизации электронного лома.

Согласно директивам WEEE-2012/19/EG и аналогичным изготовитель принимает старое оборудование для надлежащей утилизации. Транспортные расходы несет отправитель.

Контакты Kollmorgen и уточнить логистики.

Отправляйте приборы (в оригинальной упаковке) на адреса изготовителя:

Северная Америка KOLLMORGEN 201 West Rock Road Radford, VA 24141, USA	Южная Америка KOLLMORGEN Avenida João Paulo Ablas, 2970 Jardim da Glória, Cotia – SP CEP 06711-250, Brazil
Европа KOLLMORGEN Europe GmbH Pempelfurtstr. 1 40880 Ratingen, Germany	Азия KOLLMORGEN Room 302, Building 5, Lihpao Plaza, 88 Shenbin Road, Minhang District, Shanghai, China.

8 中国

8.1 产品安全	61
8.1.1 应注意此点	61
8.1.2 依照指示使用	63
8.1.3 禁止的使用	64
8.1.4 警告事项标签	64
8.2 产品生命周期处理	65
8.2.1 运输	65
8.2.2 包装	65
8.2.3 存储	65
8.2.4 安装, 设置和正常操作	66
8.2.5 退役	66
8.2.6 维护与清洁	66
8.2.7 拆卸	66
8.2.8 修理方法	67
8.2.9 处置	67

8.1 产品安全

8.1.1 应注意此点

需要专业人员!

该设备旨在用于工业应用。机器制造商必须雇用合格的人员。合格人员是经过培训的运输, 安装, 调试和操作电气驱动装置的人员。

- 运输、存储、打开包装: 只能由具备处理静电敏感部件相关知识的人员执行。
- 机械安装: 只能由具备机械专业知识的人员执行。
- 电气安装: 只能由具备电工专业知识的人员执行。
- 基本测试/设置: 只能由具有电气工程和驱动器技术相关知识的人员执行。

具备资质的工作人员必须了解并遵守 ISO 12100 / IEC 60364 / IEC 60664 以及"国家事故预防条例"。

请阅读本文档!

在安装和调试前, 请先阅读你得到文档。对驱动器的不当操作可能会造成人员受伤或财产损失。使用的系统操作人员必须要求所有相关人员在使用驱动器之前阅读并理解本手册中的内容。

请检查硬件版本!

检查产品的硬件修订版本编号(参见产品标签)。此编号是您的产品与本手册之间的链接, 它必须与本手册封面上的硬件修订版编号匹配。

请注意技术参数!

请遵循铭牌和文档中连接状态下的技术参数和说明。如果超过允许的电压值或电流值, 可能会造成驱动器的损坏。不适合的电机或错误的接线将破坏系统组件。检查驱动器和电机的组合情况。比较设备的额定电压和电流。

请执行风险评估!

机器制造商必须对机器进行风险评估, 并采取适当措施来确保意外的移动不会造成人身伤害或财产损失。风险评估的结果可能会对专业工作人员提出其他要求。

自动重启!

根据参数设置, 驱动器在通电、电压骤降或者电源电压中断之后会自动重启。机器工作人员可能存在死亡或严重受伤的危险。

如果将参数 `AXIS#.ENDEFAULT` 设置为 1, 则会给机器发出警告信号(警告: 上电时自动重启), 并确保机器危险区域有工作人员时不会上电。在使用欠压保护装置时, 必须遵循 EN 60204-1:2006 第 7.5 章的规定。



请注意静电敏感部件！

驱动器中包含静电敏感部件，处理不当可能会导致其发生损坏。在触碰驱动器之前，请先对您的身体做静电放电处理。避免接触绝缘程度高的材料(人工制品、塑料薄膜等)。将驱动器置于导电表面上。

表面高温！

运行期间，驱动器的表面会发热。散热器温度可能会达到80°C以上。有轻度灼伤的危险！测量表面温度，并耐心等待，直到表面温度降至40°C以下，之后才可进行触碰。

接地！

请确保将驱动器安全的接地刀开关柜上的PE(保护接地)汇电板上，这一点至关重要。触电的危险！没有低阻值接地，无法保证操作人员的人身安全。

泄漏电流！

由于PE的泄漏电流大于3.5 mA(符合IEC61800-5-1标准)，因此，要么将PE连接的长度翻倍，要么使用横截面大于10 mm²的连接电缆。可以根据地区标准进行偏差测量。

高压危险！

本设备会产生高达900 V的电压。设备上的带电部件存在致命危险。设备运行期间不得打开或触碰设备。保持所有的盖子和柜门处于关闭状态。不能拆卸内置的保护装置，如绝缘或屏蔽。只能由受过培训且合格的人员按照安全操作规定，并且只能在关闭电源且确保不会重新启动的情况下执行电气安装。

如果驱动器处于带电状态，请勿断开驱动器的电气连接。存在产生电弧的危险，可导致触点损坏和人身伤害。在断开驱动器电源之后且在接触设备上可能带电的部分(如触点)或断开任何连接之前，请至少等待5分钟。

请始终测量直流母线电压，并耐心等待，直到电压低于50 V为止，之后才能对部件进行处理。

功能安全！

最终必须由用户根据EN13849或EN 62061评估安全功能。

加强绝缘！

根据IEC61800-5-1标准要求的应用测试电压，内置在所连接的电机中的热传感器、电机制动抱闸和反馈系统必须与带电系统组件加强隔离。所有Kollmorgen组件符合这些要求。

请勿修改驱动器！

未经制造商许可，不得修改伺服放大器硬件。打开外壳会导致保修失效。

8.1.2 依照指示使用

AKD2G 驱动器专门用于驱动合适的同步伺服电机，可对扭矩、速度和/或位置进行闭环控制。

AKD2G 是电气设备或机器中内置的部件，只能作为这些设备或机器的集成部件加以操作。与驱动器配套使用的机器的制造商必须对该机器进行风险评估。当机器或设备中内置有驱动器时，除非已确定机器或设备满足地区指令的要求，否则不得使用驱动器。

机柜和接线

只能在适合环境条件的封闭机柜内操作驱动器。为确保机柜内的温度低于 40 °C (或在降低电流的情况下低于 60 °C)，可能需要通风或冷却。

只能使用铜导线进行接线。导线的横截面遵循 IEC 60204 标准 (或者遵循 AWG 的横截面标准: NEC 表 310-16, 75 °C 列)。

电源

驱动器可由 1、2 或 3 相或直流工业供电网络供电。

可为 AKD2G 系列中的驱动器供电，具体内容如下：

- AKD2G-Sxx-6Vxx:
1、2 或 3 相工业供电网络 (120 V 和 240 V 时的对称额定电流不超过 10 kA) 或直流电源。
- AKD2G-Sxx-7Vxx:
3 相工业供电网络 (240 V、400 V 和 480 V 时的对称额定电流不超过 10 kA) 或直流电源。

若有附加的隔离变压器，则可以连接到其它电压类型的供电网络。

各相 (L1, L2, L3) 与驱动器外壳之间的周期过电压不得超过 1000 V。根据 IEC 61800，各相之间的电压峰值 (< 50 μs) 不得超过 1000 V。某一相与外壳之间的电压峰值 (< 50 μs) 不得超过 2000 V。

电机的额定电压

电机的额定电压必须至少等于驱动器的直流母线电压除以 $\sqrt{2}$ ($U_{nMotor} \geq U_{DC}/\sqrt{2}$)。

功能安全

注意

Beta 驱动器：

安全功能尚未获得批准或认证。除非另行通知，否则请勿在有功能安全要求的应用程序中使用此功能。

注意

- 驱动器所连接到的网络必须按照最先进的信息技术安全要求进行保护。
- 用户方的 IT 专家应分析是否需要满足更多安全要求才能确保功能安全。

8.1.3 禁止的使用

应按照“依照指示使用”一章中所述加以使用，否则可能会导致人身伤害和设备损坏。不可将驱动器用于不符合相应的国家指令或标准的机器。此外，禁止在以下环境下使用驱动器：

- 可能有爆炸危险的区域
- 具有腐蚀和/或导电酸、碱性溶液、油、蒸汽、灰尘的环境
- 轮船或海上应用

注意

不得将驱动器直接联网。如果驱动器所连接到的网络未使用最先进的信息技术进行保护，则会带来功能安全风险。

8.1.4 警告事项标签

8.1.4.1 产品上标贴的注意事项



8.1.4.2 包装上的粘贴标签

注意

按照包装中粘性标签上的说明进行操作。如果警告事项标签损坏，则必须立即更换。

8.2 产品生命周期处理

8.2.1 运输

运输 AKD2G 应遵循 IEC 61800-2 标准, 如下所述:

- 由具备资质的人员使用制造商原装可回收包装进行运输。
- **注意:** 运输过程中避免发生撞击。
- 振动/冲击: AKD2G 经测试, 达到 IEC 60721-3-2 标准中的环境条件类别 2M1。
- 存储时的最大堆叠高度为 8 个纸箱(请参阅“存储”(→ # 65))
- 运输时的温度必须位于以下指定的范围内:
-25 °C 至 +70 °C, 最大变化率 20 K/小时, 类别 2K3。
- 运输时的湿度必须达到以下指定条件:
最大 +40°C 时 95% 的相对湿度, 无冷凝, 类别 2K3。

注意

驱动器中包含静电敏感部件, 处理不当可能会导致其发生损坏。在触碰驱动器之前, 请先对您的身体做静电放电处理。避免接触绝缘程度高的材料, 例如: 人工制品、塑料薄膜。将驱动器置于导电表面上。

如果包装受损, 请检查设备外观是否损坏。将包装或产品的所有损坏情况告知承运商和制造商。

8.2.2 包装

AKD2G 包装由可回收的硬纸板(带插入纸板)构成, 在包装盒的外面贴有标签。

型号	产品包 (mm) HxWxL	总重量 (kg)
AKD2G-Sxx-6V03 至 6V12	正在进行中	4.2
AKD2G-Sxx-7V03 至 7V12	正在进行中	4.3

注释

标准驱动器的包装中不包括配对的连接器。

订购带有附件(在型号后附加“-A”)的驱动器时, 包括配对的连接器。

8.2.3 存储

存储 AKD2G 时应遵循 IEC 61800-2 标准, 如下所述:

- 只能使用制造商原装可回收包装进行存储。
- 存储时的最大堆叠高度不得超过 8 个纸箱。
- 存储温度必须位于以下指定的范围内: -25 °C 至 +55 °C, 最大变化率 20 K/小时, 类别 1K4。
- 存储湿度必须达到以下指定条件: 相对湿度 5%-95%, 无冷凝, 类别 1K3。
- 存储时间符合以下要求:
 - 1 年以下: 无限制条件。
 - 1 年以上: 在设置和运行驱动器之前, 必须对电容器进行再化成。再化成过程在 Kollmorgen 开发者网络中介绍([化成](#))。

8.2.4 安装, 设置和正常操作

安装和设置信息, 安装手册中给出。

根据EN 61800-2测试环境等级3K3的正常操作。

机器制造商根据机器的风险评估定义最终用户所需的专业知识, 并根据应用描述正常操作的要求。

8.2.5 退役

注意

只有具有电气工程资质的专业人员才可将驱动器系统部件退役。

危险:致命电压! 有因触电或电弧导致严重人身伤害或死亡的危险。

- 断开开关柜的电源开关以及为系统供电的保险丝。
- 保护系统防止重新启动。
- 限制主开关。
- 在断开连接后等待至少 5 分钟。

8.2.6 维护与清洁

该设备不需要维护, 应由专业人员每年检查一次。

注意

不要将设备浸入到液体中或使用喷射方式对其进行清洁。避免液体进入设备。打开设备会使担保失效。设备的内部只能由制造商进行清洁。

清洁设备外部:

1. 将设备退役(请参见“8.2.5"退役"章节)。
2. 机壳: 使用异丙醇或类似清洁溶液进行清洁。

小心:高度易燃! 有因爆炸和失火导致受伤的危险。

 - 遵守清洁液体套装上的安全说明。
 - 在清洁后等待至少 30 分钟, 然后才重新使用设备。
3. 风扇上的保护架: 使用干燥的刷子进行清洁。

8.2.7 拆卸

注意

只有具有电气工程资质的专业人员才可拆卸驱动器系统部件。

1. 将设备退役(请参见“8.2.5"退役"章节)。
2. 检查温度。

小心:高温! 有轻微灼伤的危险。在运行过程中, 驱动器的表面温度可以达到 80 °C (176 °F) 以上。在接触设备之前, 请检查温度, 耐心等待直到设备的温度降至 40 °C (104 °F) 以下。
3. 取下接线端子。断开带电的接地连接。
4. 拆卸: 松开固定螺丝。拆下设备。

8.2.8 修理方法

注意

只有具有电气工程资质的专业人员才可更换驱动器系统部件。

小心: 自动启动! 在更换操作期间, 可能会出现各种危险和情况。

- 只能由受过培训且合格的人员按照安全操作规定, 并且只能在使用规定的个人防护设备的情况下执行电气安装。

更换设备

设备只能由制造商修理。打开设备会使担保失效。

1. 将设备退役(请参见“8.2.5 "退役"章节)。
2. 拆卸:请参见 8.2.7 "拆卸"
3. 用原包装将设备发送给制造商(请参见“处理”中的表格)。
4. 如安装手册中所述安装新设备。
5. 按照安装手册中的说明安装系统。

更换其他驱动器系统部件

如果必须更换驱动器系统(如电缆), 请按照下列方式进行:

1. 将设备退役(请参见“8.2.5 "退役"章节)。
2. 更换部件。
3. 检查所有连接件是否正确固定。
4. 按照安装手册中的说明安装系统。

8.2.9 处置

注意

要正确处理设备, 请联系获得认证的电子垃圾处理商家。

制造商应依照 WEEE-2012/19/EU 准则及类似准则, 接受返回的旧设备和附件以进行专业处理。运输费用由发送者承担。

联系 Kollmorgen 并对物流分类。

将设备发送至下表中给出的制造商地址。

北美	南美洲
KOLLMORGEN 201 West Rock Road Radford, VA 24141, USA	KOLLMORGEN Avenida João Paulo Ablas, 2970 Jardim da Glória, Cotia – SP CEP 06711-250, Brazil
欧洲	亚洲
KOLLMORGEN Europe GmbH Pempelfurtstr. 1 40880 Ratingen, Germany	科尔摩根 上海闵行区申滨路88号丽宝广场5号楼302室

9 Approvals

9.1 Conformance with UL/cUL

This drive is listed under UL (Underwriters Laboratories Inc.) file number **E141084**.

USL, CNL – Power conversion equipment (NMMS, NMMS7)

UL Markings / Marquages UL

English	Français
<ul style="list-style-type: none"> Integral solid state short circuit protection does not provide branch circuit protection. Branch circuit protection must be provided in accordance with the National Electrical Code and any additional local codes. 	<ul style="list-style-type: none"> Une protection de court-circuit à semi-conducteur intégrale ne fournit pas de protection de la dérivation. Il convient de garantir une protection de la dérivation conforme au NEC et aux réglementations locales en vigueur.
<ul style="list-style-type: none"> This product is suitable for use on a circuit capable of delivering not more than 10 kA rms symmetrical (when protected by class J fuses or circuit breakers). 	<ul style="list-style-type: none"> Ce produit est conçu pour une utilisation sur un circuit capable de fournir maximum 10 kA rms symétriques (s'il dispose de fusibles classe J ou disjoncteurs).
<ul style="list-style-type: none"> Use recommended class J fuses or circuit breaker with SCCR rating not less than 10 kA, 30 A maximum . 	<ul style="list-style-type: none"> Utilisez fusibles de classe J ou disjoncteurs recommandés ayant une SCCR d'au moins 10 kA, 30 A maximum .
<ul style="list-style-type: none"> Suitable for motor group installation on a circuit capable of delivering not more than 10 kA rms symmetrical. 	<ul style="list-style-type: none"> Convient pour une installation de groupe moteur sur un circuit capable de délivrer pas plus de 10 kArms symétriques.
<ul style="list-style-type: none"> These drives provide solid state motor overload protection at 125% of the rated FLA current. The drive overload trip point should not be set to less than 10% above the motor rated current: $AXIS\#.IL.FOLDFTHRESHU \geq 1.1 * AXIS\#.MOTOR.ICONT.$ 	<ul style="list-style-type: none"> Ces variateurs offrent une protection contre les surcharges de moteur à semi-conducteur à 125 % du courant FLA nominal. Le point de déclenchement en surcharge du variateur ne doit pas être réglé à moins de 10% au dessus du courant nominal du moteur: $AXIS\#.IL.FOLDFTHRESHU \geq 1,1 * AXIS\#.MOTOR.ICONT.$
<ul style="list-style-type: none"> These devices are intended to be used in a pollution degree 2 environment and must be placed in an enclosure with min. size of 16 x 16 x 10 inches 	<ul style="list-style-type: none"> Ces appareils sont prévus pour une utilisation dans un environnement de pollution de niveau 2 et doivent être placés dans une enceinte avec min. taille de 406 x 406 x 254 mm
<ul style="list-style-type: none"> Surrounding air temperature 40°C. Refer to chapter "Ambient Conditions", for other temperature ratings. 	<ul style="list-style-type: none"> La température de l'air ambiant 40 °C. Voir chapitre "Ambient Conditions", pour connaître les autres températures.
<ul style="list-style-type: none"> Use minimum 75°C copper wire. 	<ul style="list-style-type: none"> Utilisez un fil en cuivre 75 °C minimum.
<ul style="list-style-type: none"> Connector X3 torque requirements: - screw terminals, tightening torque 4.4 to 5.3 inlbs - locking screw, tightening torque 4.4 inlbs 	<ul style="list-style-type: none"> Exigences de couple du connecteur X3: - bornes à vis, couple de serrage 0,5 à 0,6 Nm - vis de blocage, couple de serrage 0,5 Nm
<ul style="list-style-type: none"> CAUTION Risk of Electrical Shock! Capacitors can have dangerous voltages present up to five minutes after switching off the supply power. For increased safety, measure the voltage in the DC bus link and wait until the voltage is below 50 V. 	<ul style="list-style-type: none"> ATTENTION: Risque de choc électrique! Des tensions dangereuses peuvent persister dans les condensateurs jusqu'à cinq minutes après la mise hors tension. Pour plus de sécurité, mesurez la tension dans la liaison de bus CC et attendez qu'elle soit inférieure à 50 V.

9.2 Conformance with EU

NOTE

EU Declarations of Conformity can be found on the Kollmorgen website.

The drives have been tested by an authorized testing laboratory in a defined configuration, using the system components that are described in this documentation. Any divergence from the configuration and installation described in this documentation means that the user will be responsible for carrying out new measurements to ensure conformance with regulatory requirements.

Kollmorgen declares the conformity of the product series AKD2G with the following directives:

- EC Directive 2006/42/EU, Machinery Directive
Used harmonized standard EN 61800-5-2
- EC Directive 2014/35/EU, Low Voltage Directive
Used harmonized standard EN 61800-5-1
- EC Directive 2014/30/EU, EMC Directive
Used harmonized standard EN 61800-3

NOTICE

These devices can cause high-frequency interferences in non industrial environments and may require measures for interference suppression (such as additional external EMC filters).

Maximum distance for unshielded I/O lines is 3 m inside the cabinet. If the I/O cable leaves the cabinet, it must be EMC shielded.

AKD2G-Sxx-6Vxx

NOTE

AKD2G-Sxx-6Vxx drives do not have integrated ac line EMC filters. External mains filters are described in the *Accessories Manual* (1~: FN2090, 3~: FN3288).

With external EMC mains filters for noise emission the AKD2G-Sxx-6Vxx meet the noise immunity requirements of the second environmental category (industrial environment).

- Motor cable < 10 m: use filter FN 3288 in industrial environment, category C2.
- Motor cable ≥ 10 m: use filter FN 3288 in industrial environment, category C3.

AKD2G-Sxx-7Vxx

NOTE

AKD2G-Sxx-7Vxx drives have integrated EMC filters.

The AKD2G-Sxx-7Vxx meet the noise immunity requirements to the 2nd environmental category (industrial environment).

- Motor cable < 10 m: no filter, in industrial environment, category C3.
- Motor cable < 10 m: use filter FN 3288 in industrial environment, category C2.
- Motor cable ≥ 10 m: use filter FN 3288 in industrial environment, category C3.

9.2.1 Functional Safety

NOTE

TÜV Certificate for Functional Safety can be found on the Kollmorgen website.

Kollmorgen offers 3 levels of functional safety implementation for AKD2G:

- Functional Safety Option 1: STO; SIL2 PLd , safe digital I/O command.
- Functional Safety Option 2: STO, SS1-t, SBC, SBT, SDB; SIL3 PLe , safe digital I/O command or FSoE.
- Functional Safety Option 3: STO, SS1-t, SS1-r, SS2, SOS, SLS, SSM, SSR, SDI, SLA, SAR, SLI, SLP, SCA, SBC, SDB, SBT; SIL3 PLe , safe digital I/O command or FSoE.

9.2.2 Conformance with RoHS

The device is manufactured in conformance with RoHS Directive 2011/65/EU with delegated directive 2015/863/EU for installation into a machine.

9.2.3 Conformance with REACH

EU Regulation no. 1907/2006 deals with the registration, evaluation, authorization and restriction of chemical substances 1 (abbreviated to "REACH").

The device does not contain any substances (CMR substances, PBT substances, vPvB substances and similar hazardous substances stipulated in individual cases based on scientific criteria) above 0.1 mass percent per product that are included on the candidate list.

9.3 Conformance with UK

NOTE

Declarations of Conformity can be found on the Kollmorgen website.

Kollmorgen declares the conformity of the product series - with the following regulations:

- S.I. 2008/1597, Supply of Machinery (Safety) Regulations 2008
Used designated standards EN 61800-5-2
- S.I. 2016/1101, Electrical Equipment (Safety) Regulations 2016
Used designated standard EN 61800-5-1
- S.I. 2016/1091, Electromagnetic Compatibility Regulations 2016
Used designated standard EN 61800-3

These products comply with **The Restriction of the Use of Certain Hazardous Substances in Electrical and Electronic Equipment Regulations 2012** for installation in a machine.

10 Package Supplied

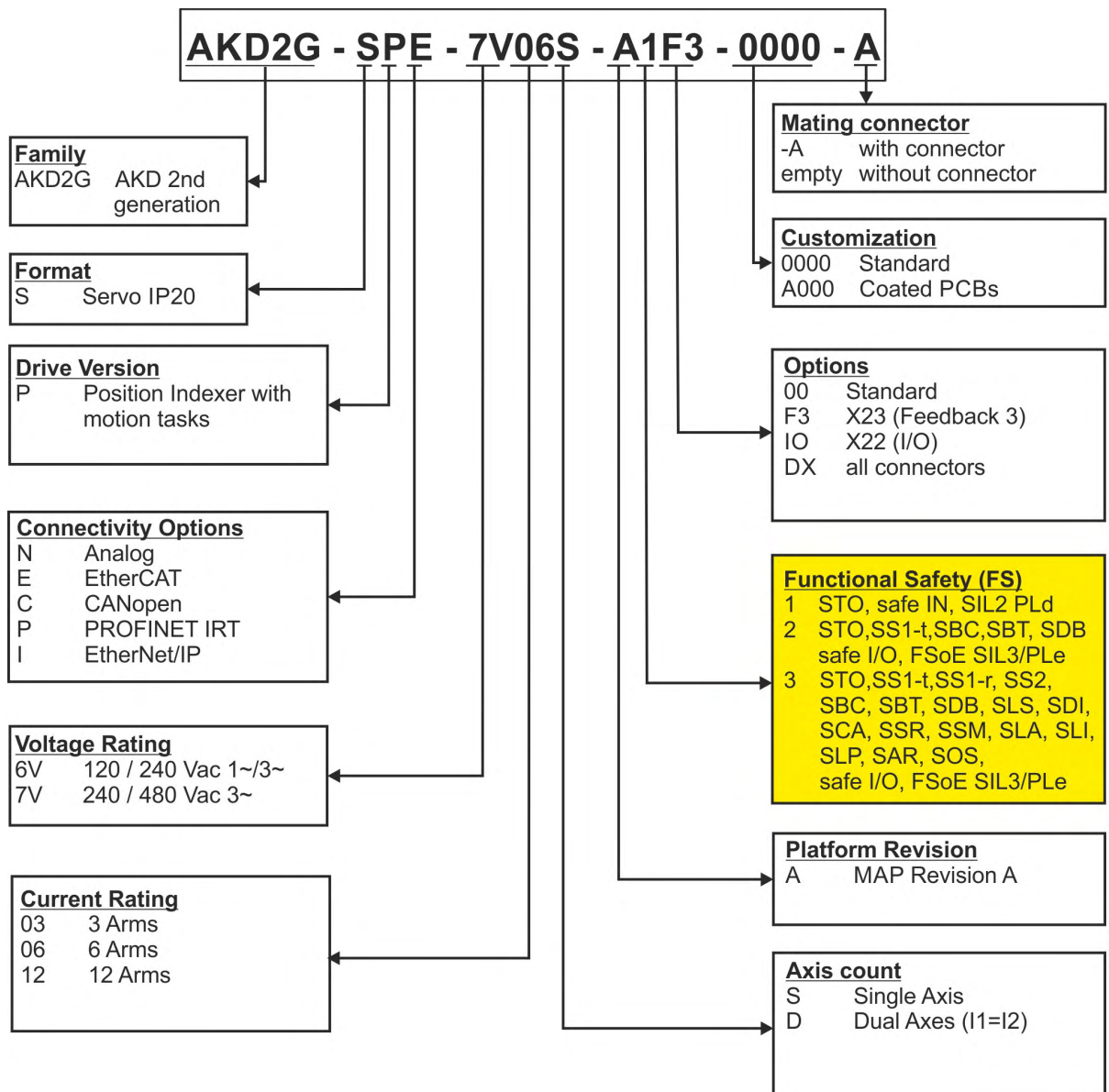
The scope of delivery includes the following components:

- Printed copy of the *AKD2G Safety Notes*
- DVD with the Setup software WorkBench and the product documentation.
- Mating connectors are **not** included in the package of a standard drive.
- Mating connectors are included when the drive is ordered with accessories (append “-A” to the model number).
- Mating connectors X1, X2, RJ25, RJ45, SubD are part of the used cables always.

NOTE

Part Number Scheme

Use the part number scheme for product identification only, not for the order process, because not all combinations of features are always possible.



About KOLLMORGEN

Kollmorgen is a leading provider of motion systems and components for machine builders. Through world-class knowledge in motion, industry-leading quality and deep expertise in linking and integrating standard and custom products, Kollmorgen delivers breakthrough solutions that are unmatched in performance, reliability and ease-of-use, giving machine builders an irrefutable marketplace advantage.



Join the [Kollmorgen Developer Network](#) for product support. Ask the community questions, search the knowledge base for answers, get downloads, and suggest improvements.

North America

KOLLMORGEN

201 West Rock Road
Radford, VA 24141, USA

Web: www.kollmorgen.com
Mail: support@kollmorgen.com
Tel.: +1 - 540 - 633 - 3545
Fax: +1 - 540 - 639 - 4162

Europe

KOLLMORGEN Europe GmbH

Pempelfurtstr. 1
40880 Ratingen, Germany

Web: www.kollmorgen.com
Mail: technik@kollmorgen.com
Tel.: +49 - 2102 - 9394 - 0
Fax: +49 - 2102 - 9394 - 3155

South America

KOLLMORGEN

Avenida João Paulo Ablas, 2970
Jardim da Glória, Cotia – SP
CEP 06711-250, Brazil

Web: www.kollmorgen.com
Mail: contato@kollmorgen.com
Tel.: +55 11 4615-6300

China and SEA

KOLLMORGEN

Room 302, Building 5, Lihpao Plaza,
88 Shenbin Road, Minhang District,
Shanghai, China.

Web: www.kollmorgen.cn
Mail: sales.china@kollmorgen.com
Tel.: +86 - 400 668 2802
Fax: +86 - 21 6248 5367