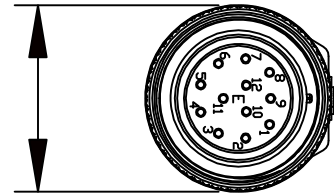
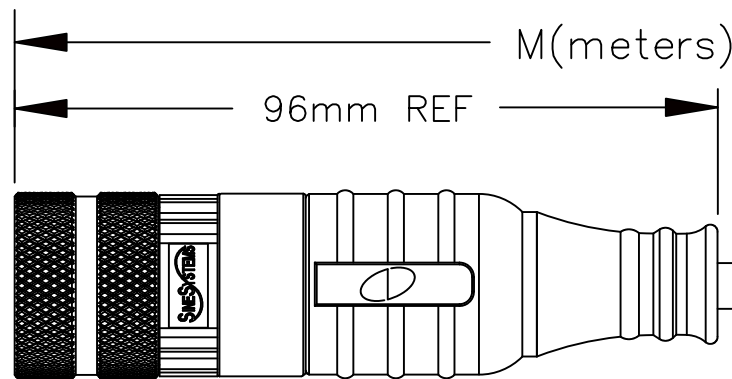


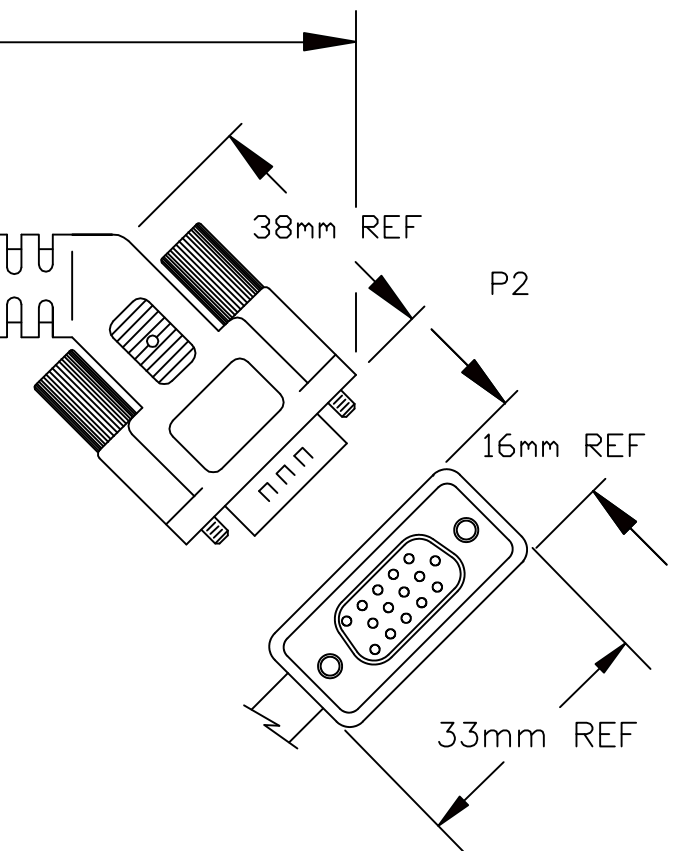
∅26mm REF



P1

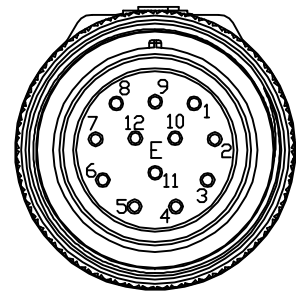
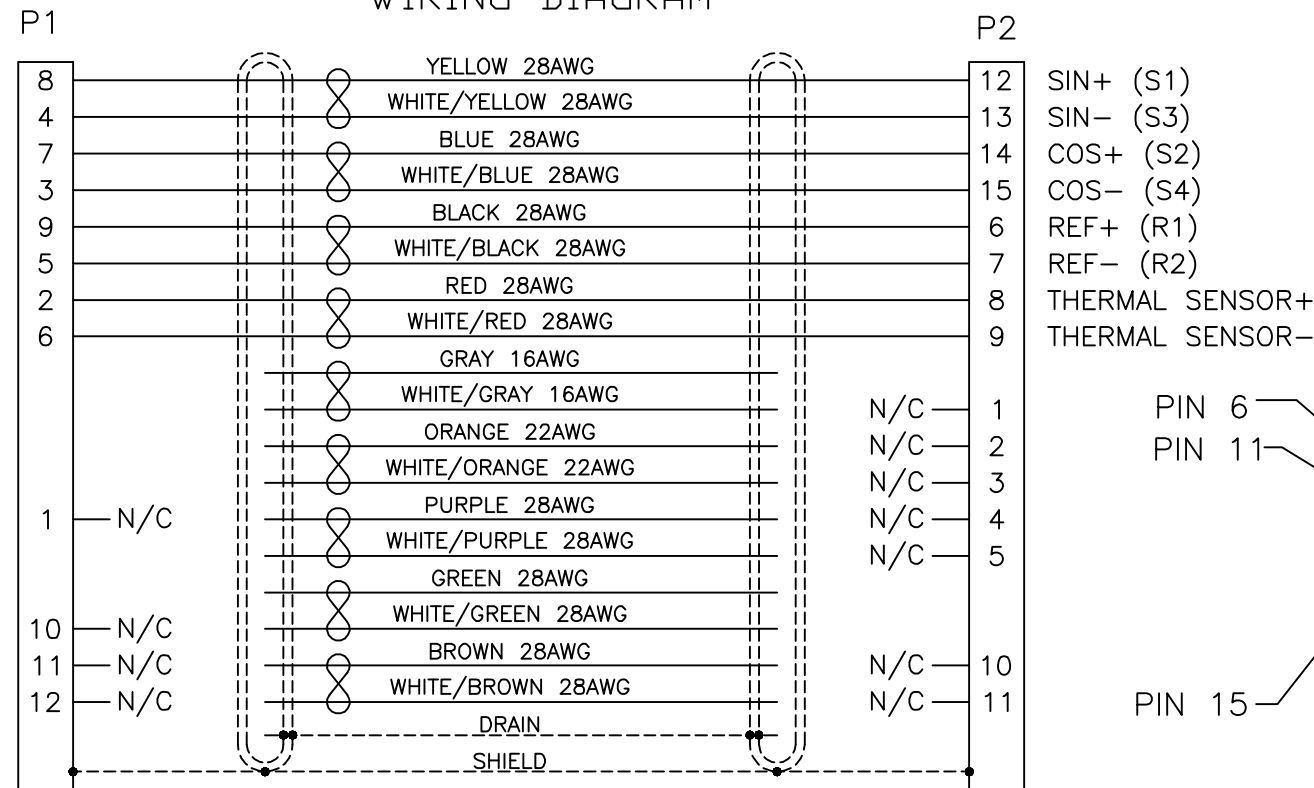


| TOLERANCE | |
|---------------------------|----------------------------|
| UP TO 2.99M = +10cm, -0" | 15M TO 29.99M = +45cm, -0" |
| 3M TO 8.99M = +15cm, -0" | 30M AND OVER = +60cm, -0" |
| 9M TO 14.99M = +30cm, -0" | |

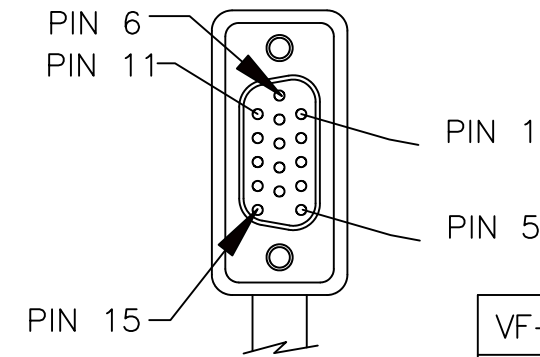


P2

WIRING DIAGRAM



FACE VIEW



FACE VIEW

| | |
|-----------------|---------|
| VF-RA2474N-01-0 | 0.273KG |
| VF-RA2474N-03-0 | 0.551KG |
| VF-RA2474N-06-0 | 0.968KG |
| VF-RA2474N-09-0 | 1.385KG |
| VF-RA2474N-12-0 | 1.793KG |

ASSEMBLY WEIGHT

NOTES: VF-RA2474N-**

1) Cable Specifications:

- * Jacket Material: TPE
- * Outside Diameter: ∅9.65mm Ref
- * Bend Radius (min): 96.5mm
- * Static Flex Rating: Not Rated
- * Dynamic Flex Rating: Not Rated
- * Temperature Rating: 105°C
- * Voltage Rating: 300V
- * AWM Style: UL20327

2) Assembly Weight - See table

3) This assembly is RoHS compliant

∞ = TWISTED PAIR

N/C DENOTES NO CONNECTION

CONNECTOR BACKSHELL SHIELDED 360° (BOTH ENDS)

KOLLMORGEN
AKD DRIVE
AKM MOTOR EURO STYLE
FEEDBACK RESOLVER CABLE