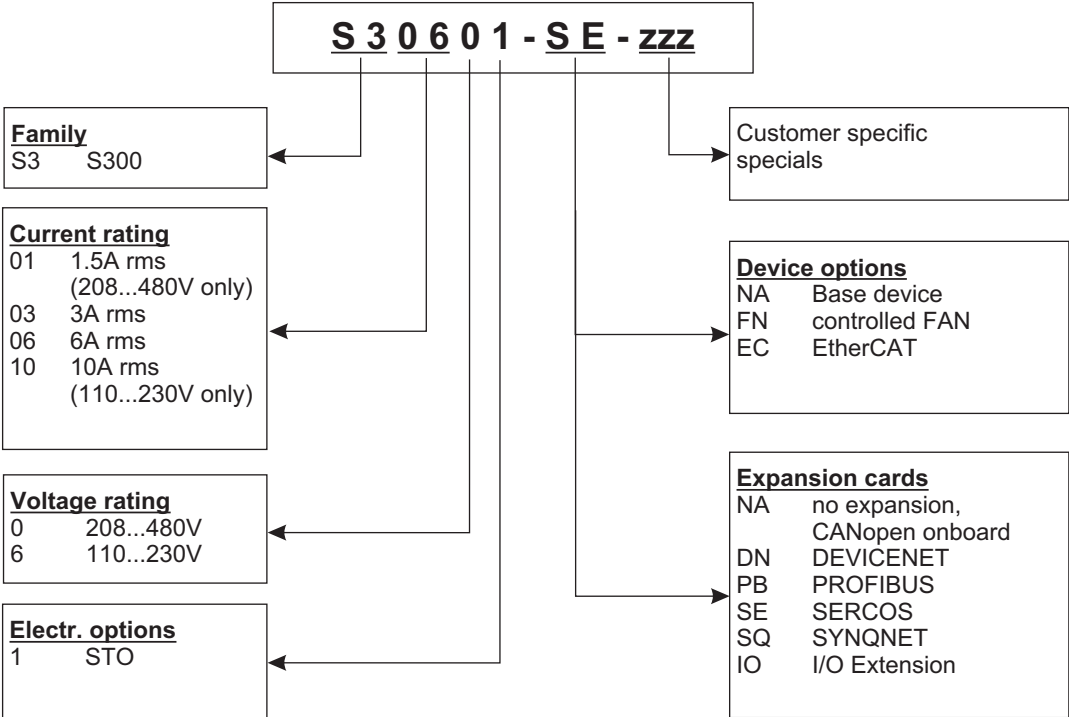


# Part number scheme S300

Use for product identification only, not for the order process.



Expansion cards and device options cannot be combined.