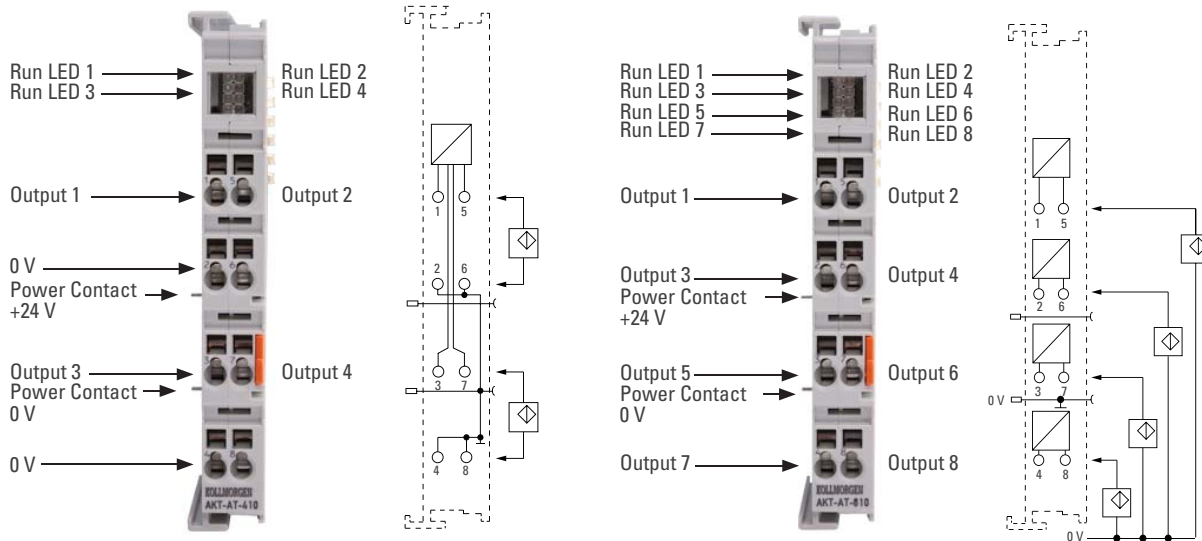


## 4/8 Channel Analog Output Terminals, 0-10 V DC

The 4/8-channel analog output terminals generate signals in the range between 0 to 10 mA. The voltage is supplied to the process level with a resolution of 12 bits and is electrically isolated. In the 4-channel Bus Terminal, the four outputs are 2-wire versions. The 8-channel variants combine all eight channels in one housing and are particularly suitable for space-saving installation in control cabinets. The use of single conductor connection technology enables the connection of multi-channel actuator technology with minimum space requirements.

The Bus Terminals have a common ground potential. The power contacts are connected through. The reference ground of the outputs is the 0 V power contact. The LEDs indicate the data exchange with the Bus Coupler.



Electrical and Mechanical Specification	AKT-AT-410-000	AKT-AT-810-000
Number of outputs	4	8
Signal voltage	0...10 V	
Load	>5 kΩ (short-circuit-proof)	
Measuring error	< ±0.1 % (relative to full scale value)	< ±0.2 % (relative to full scale value)
Resolution	12 bits	
Conversion time	~ 4 ms	~ 8 ms
Electrical isolation	500 V <sub>rms</sub> (standard-bus / signal voltage)	
Current consumption standard-bus	20 mA	
Bit width in the process image	Output: 4 x 16 bit data (4 x 8 bit control/status optional)	Output: 8 x 16 bit data (8 x 8 bit control/status optional)
Configuration	No address or configuration setting	
Weight	75 g	
Operating/storage temperature	0 °C ... +55 °C / -25 °C... +85 °C	
Relative humidity	95 %, no condensation	
Vibration/shock resistance	Conforms to EN 60068-2-6 / EN 60068-2-27/ 29	
EMC immunity/emission	Conforms to EN 61000-6-2 / EN 61000-6-4	
Protect. class/installation pos.	IP 20 / variable	
Pluggable wiring	For all Bus Terminals	

203 A West Rock Road • Radford, VA 24141 USA • Phone: 1-540-633-3545

KOLLMORGEN | [www.kollmorgen.com](http://www.kollmorgen.com)