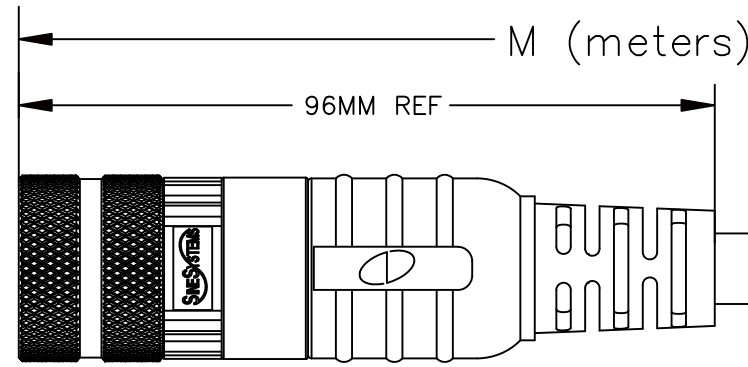
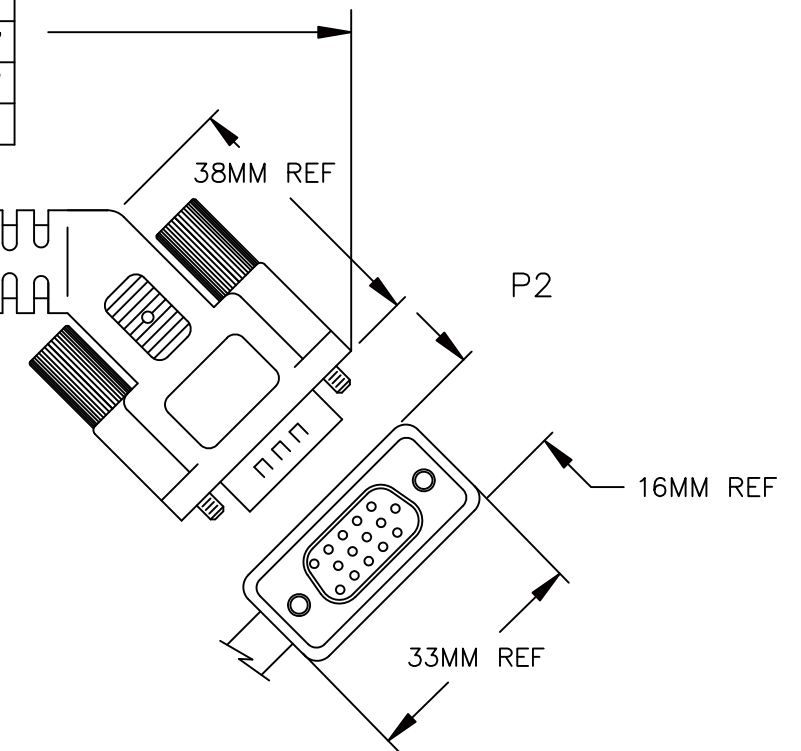


P1

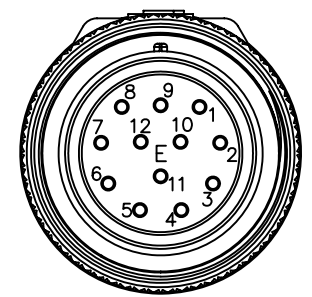


TOLERANCE	
UP TO 2.99M = +10cm, -0"	15M TO 29.99M = +45cm, -0"
3M TO 8.99M = +15cm, -0"	30M AND OVER = +60cm, -0"
9M TO 14.99M = +30cm, -0"	

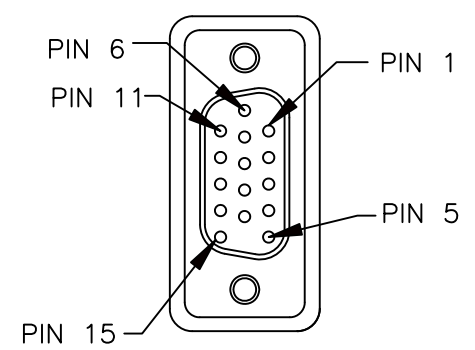
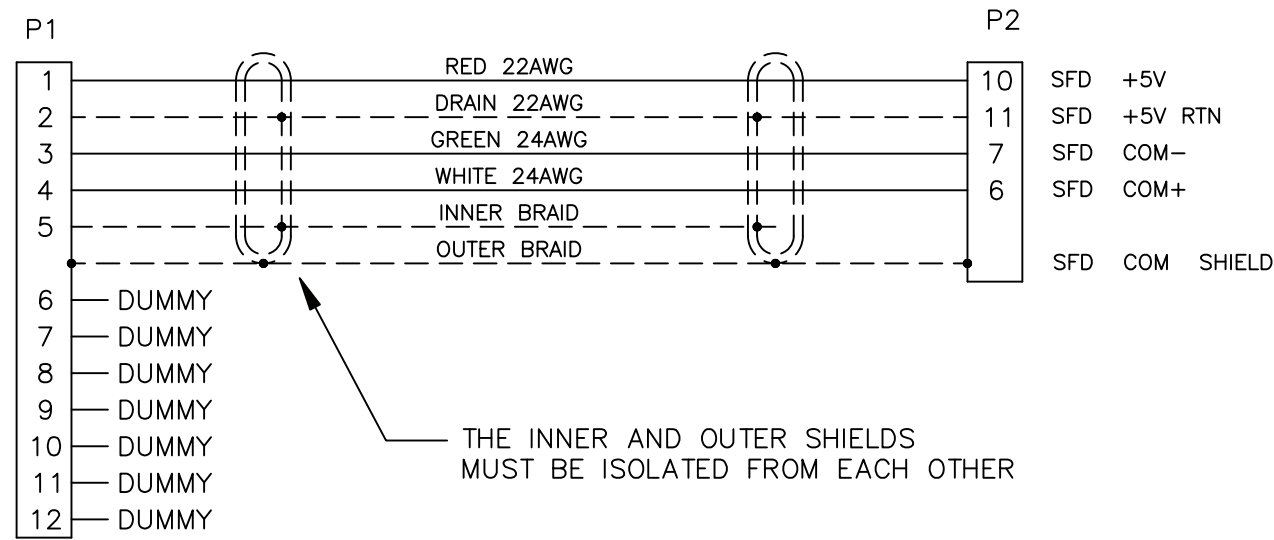


P2

WIRING DIAGRAM



FACE VIEW



FACE VIEW

NOTES: VF-DA0474N-**-*(*)

- Cable Jacket Material – TPE
 - * Outside Diameter – $\phi 6.7\text{mm}$ Ref
 - * Bend radius – 67mm
 - * Static flex Rating – Not Rated
 - * Dynamic Flex Rating – Not Rated
 - * Temperature Rating – 105C
 - * Voltage Rating – 300V
- Assembly Weight – See table
- This assembly is RoHS compliant

VF-DA0474N-01-0	0.211KG
VF-DA0474N-03-0	0.357KG
VF-DA0474N-06-0	0.568KG
VF-DA0474N-09-0	0.779KG
VF-DA0474N-12-0	0.99KG

KOLLMORGEN
AKD DRIVE
AKM MOTOR EURO STYLE
SFD MOTOR FEEDBACK CABLE