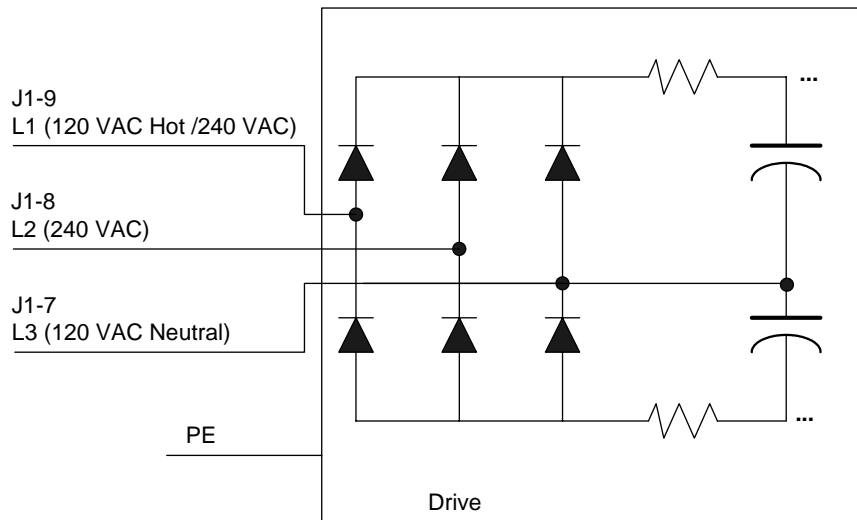


Customized Voltage Doubler Mode for the S200 Drive

Use ONLY for PCB 155-033030-08 or later units!



S200 units with the voltage doubling option made before June 2004 have the function of L1 and L3 reversed. Using 240 VAC on old voltage doubled units with this new documentation causes a catastrophic failure of the drive.



Main Power Line Connection of the Customized Voltage Doubler Drive

In the customized S200 AC drive with voltage doubler, AC line L3 is shorted to the center point of the two series connected bus capacitors as shown in the figure above. Connecting single phase 120 VAC to J1-9 L1 and J1-7 L3 gives voltage doubling. On the same customized unit, connecting 240 VAC to J1-9 L1 and J1-8 L2 gives full wave rectified results. In both cases, a 320 VDC nominal bus voltage is obtained.

Three-phase application is no longer supported in this customized version. For 120 VAC voltage doubling applications, the continuous power specification is derated to approximately 70%. The following are the specifications for 120 VAC voltage doubling applications. Refer to the ratings in the manual for 240 VAC applications.

120 VAC Voltage Doubling	S20350	S20250
Peak Output Current (A_{RMS}) 0 to 40°C Ambient	9.0	4.5
Minimum Peak Current Time Starting from 0 amps	3.0	3.0
Cont. Output Current (A_{RMS}) 0 to 40°C Ambient	3.0	1.5
Continuous Output Power (Watts)	750	350
Peak Output Power (Watts)	2400	1200
RMS Line Current at Continuous Output Power (RMS)	10	5
Fusing – Line Inputs	MDA-15	MDA-10



WARNING

S200 units with the voltage doubling option made before June 2004 have the function of L1 and L3 reversed. Using 240 VAC on old voltage doubled units with this new documentation causes a catastrophic failure of the drive.

Customer Support

Danaher Motion products are available world-wide through an extensive authorized distributor network. These distributors offer literature, technical assistance, and a wide range of models off the shelf for the fastest possible delivery.

Danaher Motion sales engineers are conveniently located to provide prompt attention to customer needs. Call the nearest office for ordering and application information and assistance or for the address of the closest authorized distributor. If you do not know who your sales representative is, contact us at:

Danaher Motion
 203A West Rock Road
 Radford, VA 24141 USA
Phone: 1-540-633-3400
Fax: 1-540-639-4162
Email: customer.support@danahermotion.com
Website: www.DanaherMotion.com