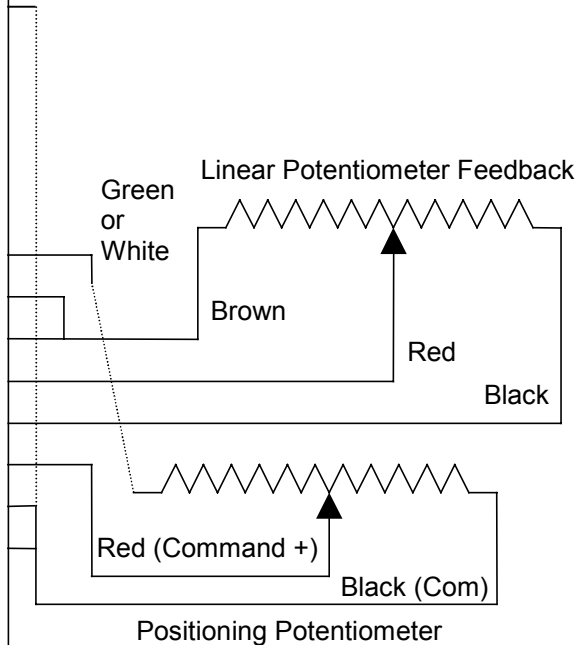


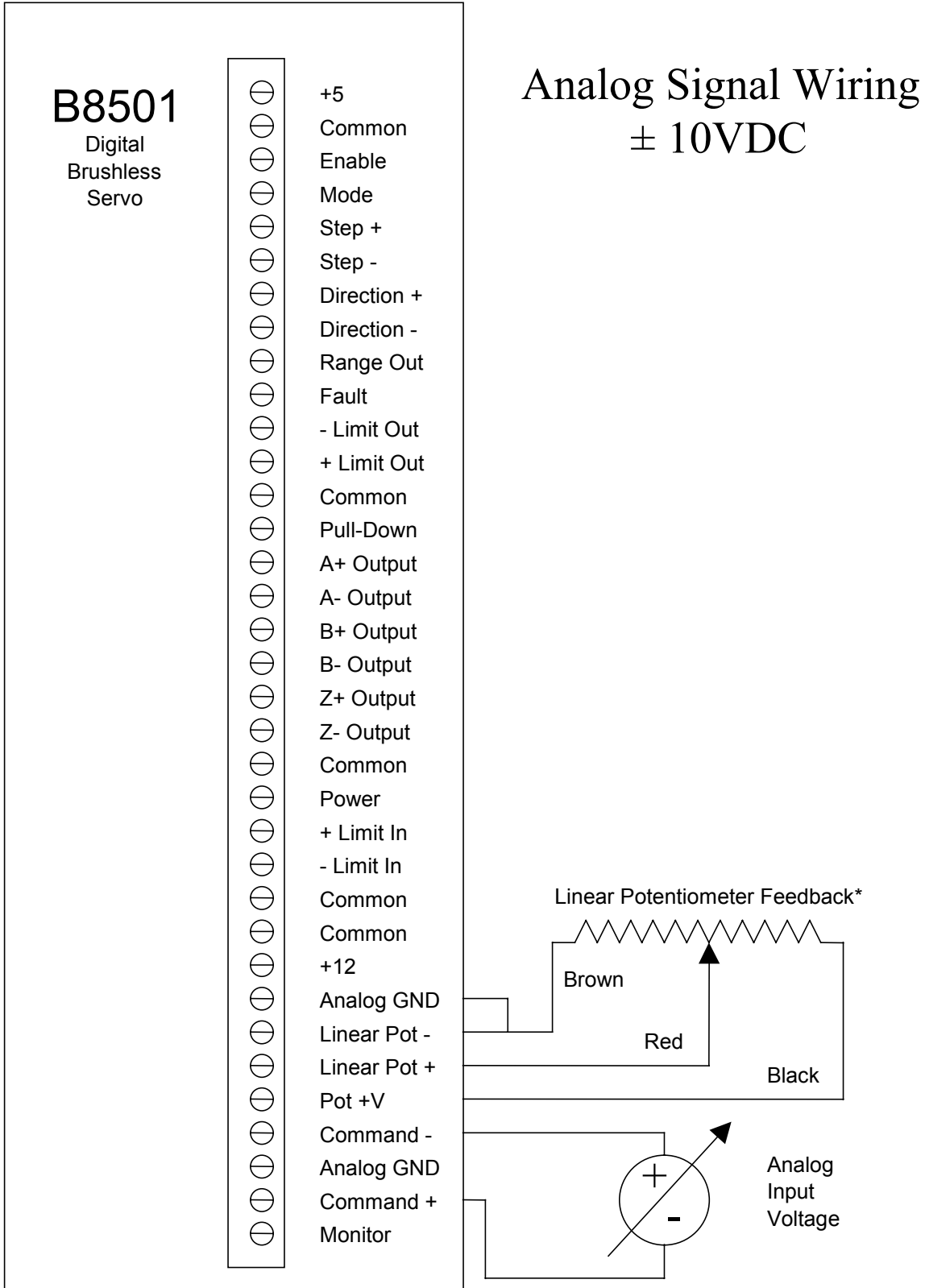
**B8501**  
 Digital  
 Brushless  
 Servo

- ⊖ +5
- ⊖ Common
- ⊖ Enable
- ⊖ Mode
- ⊖ Step +
- ⊖ Step -
- ⊖ Direction +
- ⊖ Direction -
- ⊖ Range Out
- ⊖ Fault
- ⊖ - Limit Out
- ⊖ + Limit Out
- ⊖ Common
- ⊖ Pull-Down
- ⊖ A+ Output
- ⊖ A- Output
- ⊖ B+ Output
- ⊖ B- Output
- ⊖ Z+ Output
- ⊖ Z- Output
- ⊖ Common
- ⊖ Power
- ⊖ + Limit In
- ⊖ - Limit In
- ⊖ Common
- ⊖ Common
- ⊖ +12
- ⊖ Analog GND
- ⊖ Linear Pot -
- ⊖ Linear Pot +
- ⊖ Pot +V
- ⊖ Command -
- ⊖ Analog GND
- ⊖ Command +
- ⊖ Monitor

**Analog Signal Wiring**  
 0 - 10VDC

Note:  
 Command - and Command + are  
 labeled backwards.





- See page 5 of B8501 Manual Supplement. Standard IDC linear potentiometer not compatible with ±10VDC Command signal.
- Last update 11/1/01