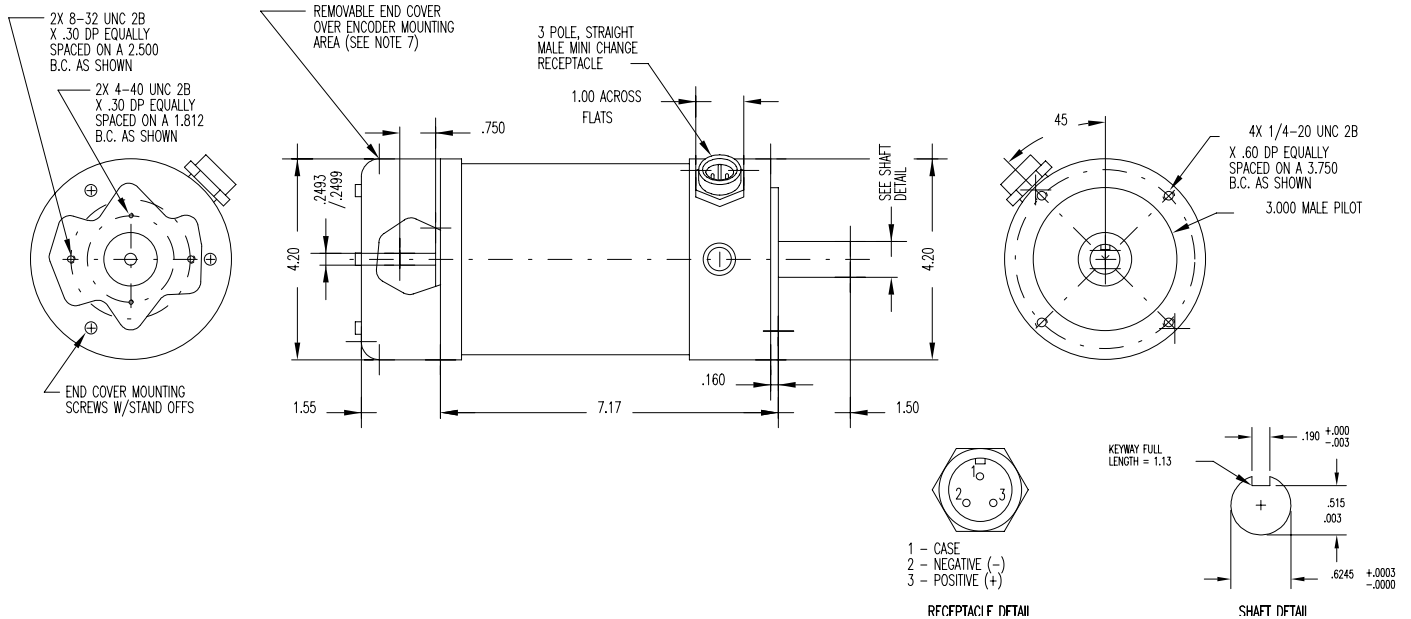




H4 160VDC Servo Motor Specifications



Electrical Data

Rated Voltage	V	160
Max. Operating Voltage	V	180
Max. Continuous Current	A	7.0
Max. Starting Current	A	0.7
Number of Poles		2
Inductance	mH	12
Winding Resistance @ Ambient	Ohms	1.5
K_t Torque Constant ($\pm 10\%$)	oz-in/A [N-m/A]	67 [0.47]
K_v Voltage Constant ($\pm 10\%$)	V/kRPM	49

Mechanical Data

Continuous Stall Torque	oz-in [N-m]	425 [3.0]
No-load Speed at Rated Voltage	RPM	3200
Rotor Inertia	oz-in-s ² [kg-cm ²]	0.20 [14]
Max. Winding Temperature	°F [°C]	
Weight	lbs [kg]	12 [5.4]

Motor Wiring

