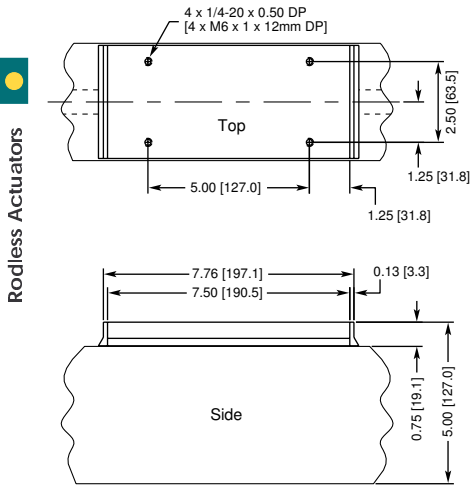


# Carriage Dimensions

## Dimensions

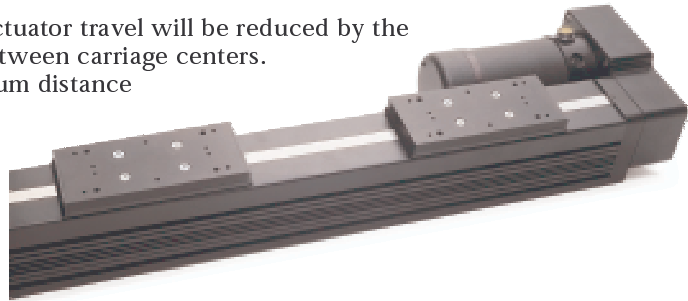
### - S Single Carriage Option



-  **Dnn**  Dual Carriage Option  
(*nn* is the distance between carriage centers. Omit for screw-driven actuators.)

Increase carriage capacity by supporting the load at two separate locations. For screw-driven actuators, the second carriage is attached to the internal rail bearings, but is not driven by the leadscrew. For belt-driven actuators, the second carriage is attached to the internal rail bearings and is also rigidly fixed to the driven carriage. In this case, the distance between carriage centers needs to be specified in the part number.

- Available actuator travel will be reduced by the distance between carriage centers. The minimum distance between carriage centers is 10 in [250 mm].



## Motor Specifications

### H4 Series

Inductance  
Terminal Resistance  
Hipot Breakdown Voltage  
Current  
    Continuous  
    Peak  
Torque Constant  
Voltage Constant  
No Load Speed  
Connections  
User Cabling  
Anticipated Life of Brushes  
Temperature

**Permanent magnet 2-pole, 160 volt DC motor; replaceable brushes**

12 mH  
1.5 Ohms ±20%  
500 VAC  
160 VDC max  
5 A max  
16 A max  
67 oz-in/Amp  
49 V/Krpm  
3,200 rpm  
Quick Disconnect: 3 contact receptacle, including case ground, in anodized aluminum shell, includes 12 ft cable with molded plug  
16 AWG (less than 50 ft [15m]), 14 AWG (50-100 ft [15-30m]), 10 AWG (100-200 ft [30-60m])  
5 million cycles; 5,000 hours  
180°F [82°C] Maximum allowable motor case temperature. Actual motor case temperature is ambient, duty cycle, speed and load dependent. Refer to speed vs. thrust performance curves for system duty ratings.

