

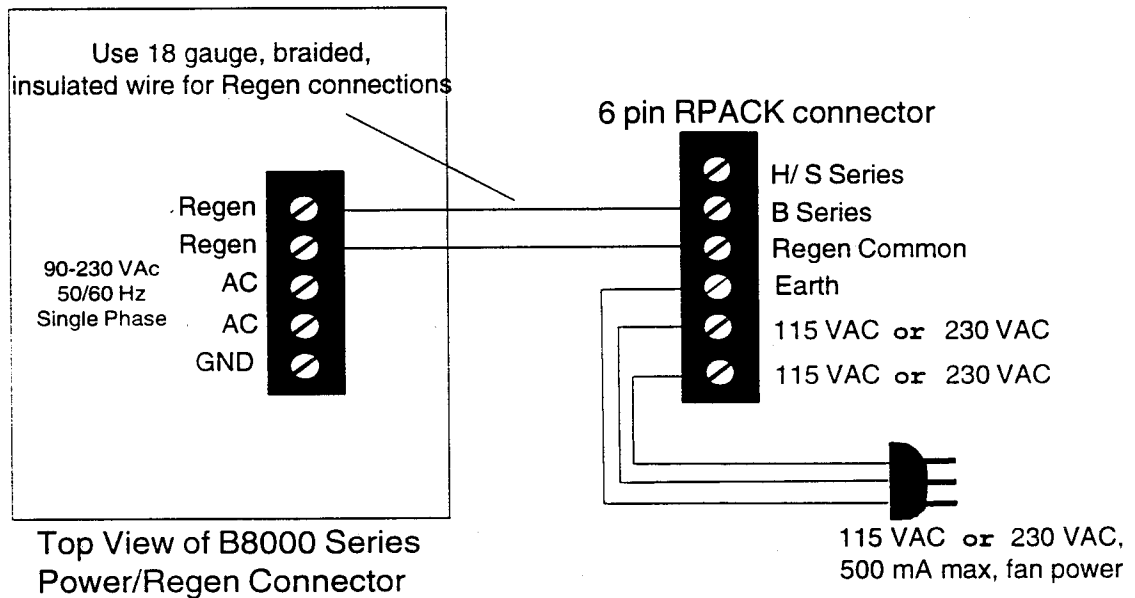


The RPACK-1 and RPACK-2 are power dump devices consisting of high voltage power resistors, a heatsink, and a cooling fan. They were designed to work with the H, S, and B series of drives and controls from IDC. They are typically required in applications involving vertical, ball screw driven loads, or when large, direct driven inertial loads must be decelerated very quickly. The RPACK dissipates the kinetic and potential energy that would otherwise cause the drive to shutdown due to an over-voltage or regen fault. Using a RPACK can help reduce overall cycle time by allowing a higher deceleration rate than would be possible without it.

Mounting dimensions are available in the 1995 IDC Motion Control System and Electric Linear Actuators and Controls catalogs.

Electrical connections should be made according to the diagrams below. Please note that the B, H and S series controls all connect differently.

**RPACK-1 and RPACK-2  
B8000 series wiring diagram**

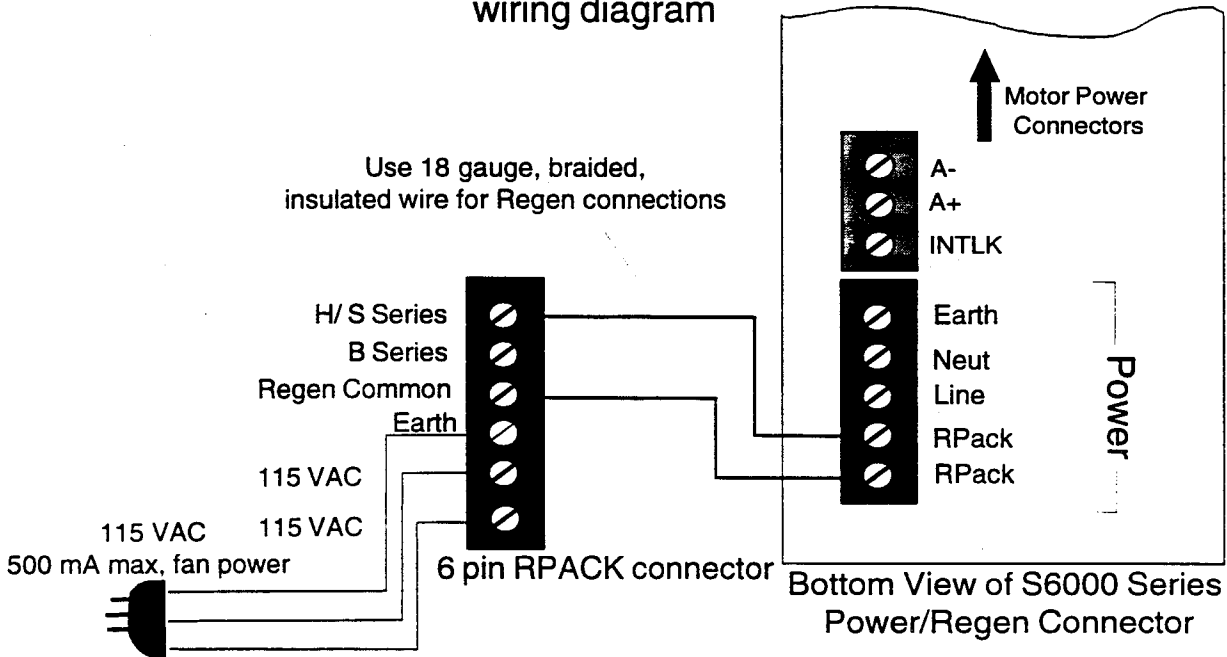


**We've Moved To A Larger Facility!**  
**Industrial Devices Co., LLC**  
 3925 Cypress Drive, Petaluma, CA 94954  
 1-800-747-0064 or 707-789-1000  
 Fax 707-789-0175  
 Effective February 1, 1999



# RPACK-1 and -2 Installation Guide (B8000, S6000 and H3/4000 Series)

## RPACK-1, S6000 series wiring diagram



## RPACK-1, H3000 and H4000 series wiring diagram

