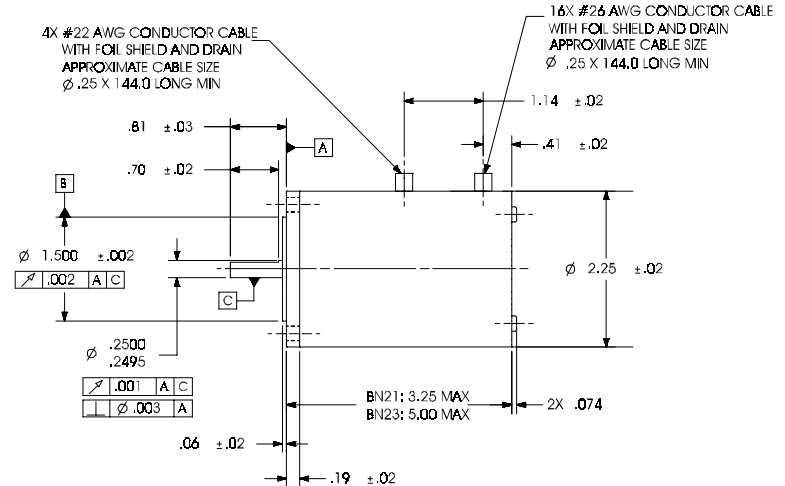
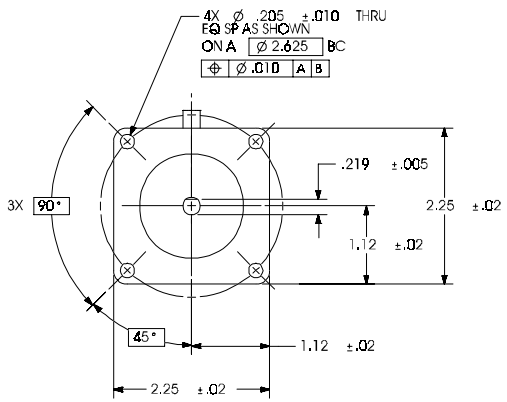




BN21/BN23 Servo Motor Data Sheet

Motor Dimensions



Motor Specifications

Parameter	Units	BN21	BN23
Rated Power	hp [kw]	.089 [.066]	.235 [.175]
Max Operating Speed	rpm	6000	6000
Continuous Stall Torque	in-lbs	1.375	3.31
Continuous Line Current	amps rms/ø	.75	1.28
Peak Torque	in-lbs	5.0	11.86
Peak Current	amps rms/ø	2.60	5.0
Max Winding Temperature	degrees F[C]	248 [120]	248 [120]
Torque Sensitivity - $K_T(p-p) \pm 10\%$	oz-in/amp	27.3	32.6
Back EMF (Line-to-line) $\pm 10\%$	$V_{p-p}/Krpm$	20.2	24.1
DC Resistance (P-P) $\pm 10\%$	ohms	29	7.17
Inductance (P-P) $\pm 10\%$	millihenries	33	12.5
Rotor Inertia	oz-in-sec ²	.00286	.00715
Resistance at Tmax	ohms	40.4	9.99
Number Of Poles	each	4	4
Thermal Resistance	degrees C/watt	4.12	3.70
Electrical Time Constant	ms	1.1	1.8
Weight (with 12 ft. cables)	lbs	2.2	4.0
Maximum Axial Load	lbs	10	10
Maximum Radial Load At .75" from Flange Face	lbs	15	15

Note:

- IDC servo motors require a torque safety margin of at least 10%.

Motor and Encoder Wiring

