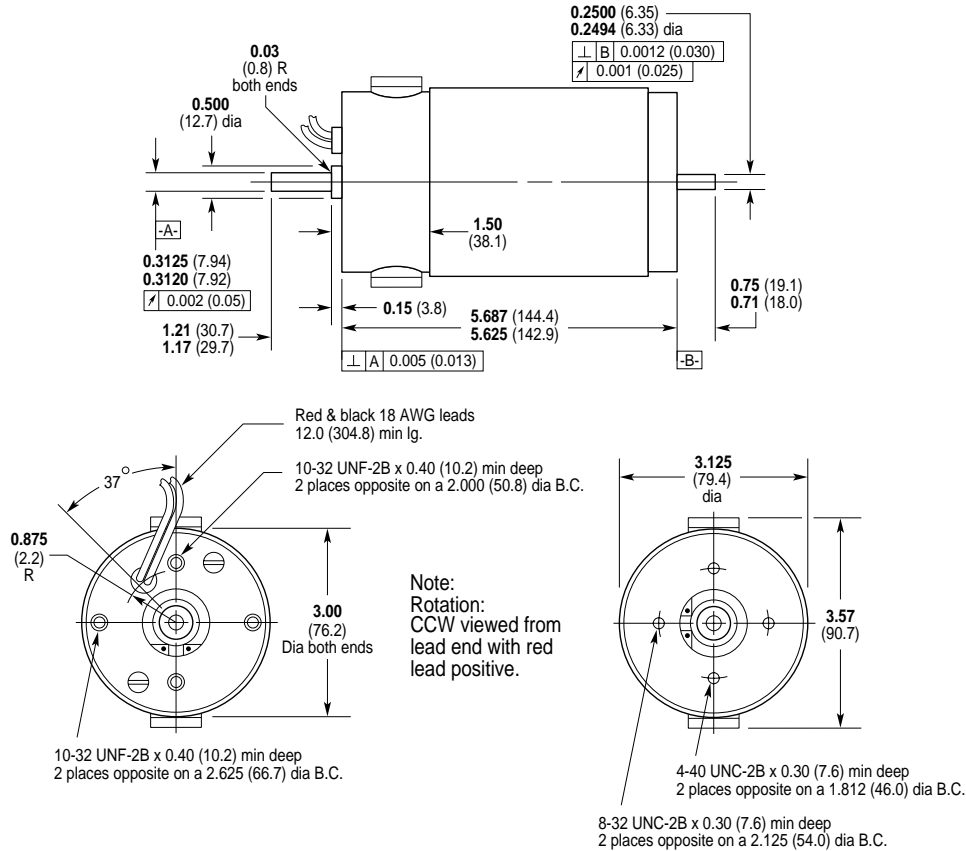




H3 160VDC Servo Motor Specifications



Electrical Data

Rated Voltage	V	160
Max. Operating Voltage	V	180
Max. Continuous Current	A	2.0
Max. No-load Current	A	0.22
Inductance	mH	25
K_t Torque Constant ($\pm 10\%$)	oz-in/A [N-m/A]	54 [0.38]
K_v Voltage Constant ($\pm 10\%$)	V/kRPM	40
Winding Resistance @ Ambient	Ohms	6.4

Mechanical Data

Continuous Stall Torque	oz-in [N-m]	108 [0.76]
No-load Speed at Rated Voltage	RPM	3900
Rotor Inertia	oz-in-s ² [kg-cm ²]	0.049 [3.46]
Max. Winding Temperature	°F [°C]	180 [82]

Motor Wiring

