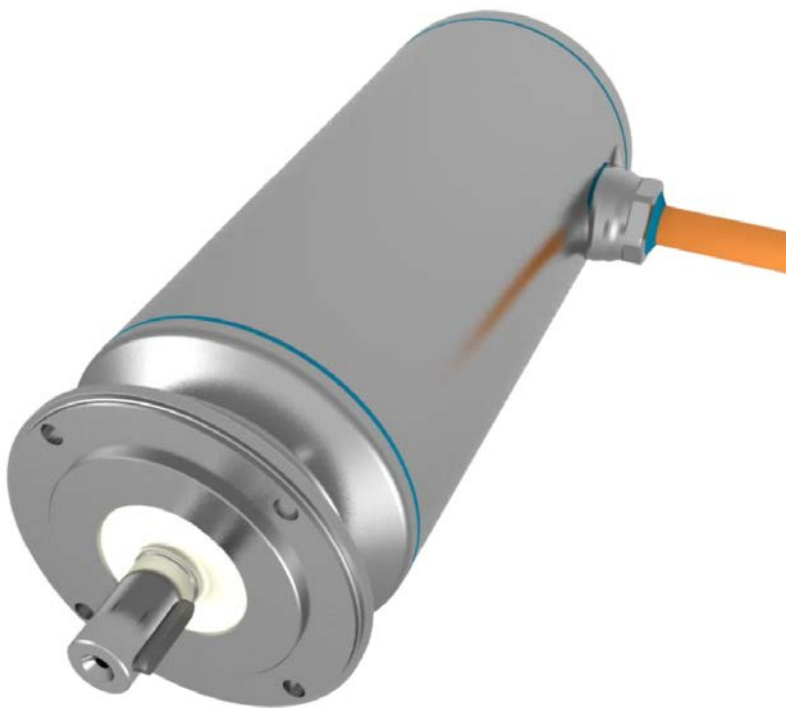


AKMH

English **Instructions Manual, Hygienic Servomotors**
Deutsch **Betriebsanleitung, Hygienische Servomotoren**



Edition: E, May 2016
Part Number AKMH-Manual-GE-EN
Original language English
European Version (CE region)



Designed to EHEDG standards

Keep all manuals as a product component during the life span of the product. Pass all manuals to future users and owners of the product.

Bewahren Sie alle Anleitungen während der gesamten Nutzungsdauer des Produkts als Produktkomponente auf. Händigen Sie alle Anleitungen künftigen Anwendern/Besitzern des Produkts aus.

Record of Document Revisions

Revision	Remarks
-, 08/2013	Beta launch version
A, 12/2013	Hiperface DSL and SFD3 feedbacks released, technical data updated, hints for machine builders, hygienic standards fulfilled by AKMH, CE Declaration and Conformity, Hygienic Standards Conformity Declaration
B, 03/2014	Part number scheme updated, typos corrected, FDA standards added, CE Declaration, cable gland updated, dimension drawings updated
C, 08/2014	Brake data updated (document not published)
D, 06/2015	Dual cable option added, dimension drawings updated, connector pinout added, shaft seal run-in procedure added, part number scheme updated
E, 05/2016	Mating connectors added, Directives updated

Contents



Deutsch (→ # 33)
English (→ # 3)

Appendix Technical Data (→ # 66)
 Dimensions (→ # 74)
 Connections (→ # 84)
 Approvals (→ # 91)

Technische Änderungen, die der Verbesserung der Geräte dienen, vorbehalten!

Gedruckt in der Tschechischen Republik.

Dieses Dokument ist geistiges Eigentum von Kollmorgen. Alle Rechte vorbehalten. Kein Teil dieses Werkes darf in irgendeiner Form (Fotokopie, Mikrofilm oder in einem anderen Verfahren) ohne schriftliche Genehmigung von Kollmorgen reproduziert oder unter Verwendung elektronischer Systeme verarbeitet, vervielfältigt oder verbreitet werden.

Technical changes which improve the performance of the device may be made without prior notice!

Printed in Czech Republic.

This document is the intellectual property of Kollmorgen. All rights reserved. No part of this work may be reproduced in any form (by photocopying, microfilm or any other method) or stored, processed, copied or distributed by electronic means without the written permission of Kollmorgen.

1 English

1.1 General	4
1.1.1 About this manual	4
1.1.2 Symbols Used	4
1.1.3 Abbreviations used	4
1.2 Safety	5
1.2.1 You should pay attention to this	5
1.2.2 Use as directed	7
1.2.3 Prohibited use	7
1.2.4 European Directives and Standards for the machine builder	8
1.2.5 Handling	8
1.3 Package	11
1.3.1 Delivery package	11
1.3.2 Accessories	11
1.3.3 Nameplate	11
1.3.4 Model number description	12
1.4 Technical Description	21
1.4.1 General technical data	21
1.4.2 Standard features	21
1.4.3 Hygienic design	23
1.5 Mechanical Installation	25
1.5.1 Important Notes	25
1.5.2 Flange mounting, Face mounting	26
1.5.3 O-ring sealing	26
1.5.4 Cable installation	27
1.6 Electrical Installation	28
1.6.1 Important notes	28
1.6.2 Connecting the motor	28
1.6.3 Guide for electrical installation	29
1.7 Setup	30
1.7.1 Important notes	30
1.7.2 Guide for setup	31
1.7.3 Trouble Shooting	31
1.8 Definition of Terms for Technical Data	32

1.1 General










1.1.1 About this manual

This manual describes the AKMH (Advanced Kollmorgen Motor Hygienic) series of synchronous servomotors (standard version). The motors are operated in drive systems together with Kollmorgen servo drives. Please observe the entire system documentation, consisting of:

- Instructions Manual for the drive
- Bus Communication manual (e.g. EtherCAT)
- Online help of the servo drive's setup software
- Regional accessories manual
- Instructions Manual of the AKMH series of motors

More background information can be found in Kollmorgen "Product WIKI", available at www.wiki-kollmorgen.eu.

1.1.2 Symbols Used

Symbol	Indication
 DANGER	Indicates a hazardous situation which, if not avoided, will result in death or serious injury.
 WARNING	Indicates a hazardous situation which, if not avoided, could result in death or serious injury.
 CAUTION	Indicates a hazardous situation which, if not avoided, could result in minor or moderate injury.
 NOTICE	This is not a safety symbol. Indicates situations which, if not avoided, could result in property damage.
 NOTE	This is not a safety symbol. This symbol indicates important notes.
	Warning of a danger (general). The type of danger is specified by the text next to the symbol.
	Warning of danger from electricity and its effects.
	Warning of hot surfaces
	Warning of suspended loads.

1.1.3 Abbreviations used

Abbreviations used for technical data see chapter "Definition of terms" (→ # 32).

INFO

In this document, the symbolism (→ # 53) means: see page 53.

1.2 Safety

This section helps you to recognize and avoid dangers to people and objects.

1.2.1 You should pay attention to this

Read the documentation!

Read the available documentation before installation and commissioning. Improper handling of the motor can cause harm to people or damage to property. The operator must therefore ensure that all persons entrusted to work on the motor have read and understood the manual and that the safety notices in this manual are observed.

Pay attention to the technical data!

Adhere to the technical data and the specifications on connection conditions (rating plate and documentation). If permissible voltage values or current values are exceeded, the motors can be damaged, e.g. through overheating.

Perform a risk assessment!

The manufacturer of the machine must generate a risk assessment for the machine, and take appropriate measures to ensure that unforeseen movements cannot cause injury or damage to any person or property. Additional requirements on specialist staff may also result from the risk assessment.

Specialist staff required!

Only properly qualified personnel are permitted to perform such tasks as transport, assembly, setup and maintenance. Qualified specialist staff are persons who are familiar with the transport, installation, assembly, commissioning and operation of motors and who bring their relevant minimum qualifications to bear on their duties:

- Transport: only by personnel with knowledge of handling electrostatically sensitive components.
- Hygienics: only by personnel with extensive knowledge of the hygienic standards and directives which are valid for the application.
- Mechanical Installation: only by mechanically qualified personnel.
- Electrical Installation: only by electrically qualified personnel.
- Setup: only by qualified personnel with extensive knowledge of electrical engineering and drive technology

The qualified personnel must know and observe IEC 60364 / IEC 60664 and national accident prevention regulations.

Secure the key!



Remove any fitted key (if present) from the shaft before letting the motor run without coupled load, to avoid the dangerous results of the key being thrown out by centrifugal forces.

Avoid dissimilar metals!



The motor housing is made of stainless steel. Avoid direct coupling of this motor to more active metals such as aluminum or carbon steel to prevent galvanic corrosion. Galvanic corrosion could result in contamination of product, failure of motor mounting and motor failure. Failure of the motor mounting could lead to electrocution hazard due to failure of electrical terminations or the motor cable as a result strain on the motor cable.



Hot surface!

The surfaces of the motors can be very hot in operation, according to their protection category. Risk of minor burns! The surface temperature can exceed 100°C. Measure the temperature, and wait until the motor has cooled down below 40°C before touching it.



Earthing! High voltages!

It is vital that you ensure that the motor housing is safely earthed to the PE (protective earth) busbar in the switch cabinet. Risk of electric shock. Without low-resistance earthing no personal protection can be guaranteed and there is a risk of death from electric shock.

Not having optical displays does not guarantee an absence of voltage. Power connections may carry voltage even if the motor is not turning.

Do not unplug any connectors during operation. There is a risk of death or severe injury from touching exposed contacts. Power connections may be live even when the motor is not rotating. This can cause flashovers with resulting injuries to persons and damage to the contacts.

After disconnecting the drive from the supply voltage, wait several minutes before touching any components which are normally live (e.g. contacts, screw connections) or opening any connections.

The capacitors in the drive can still carry a dangerous voltage several minutes after switching off the supply voltages. To be quite safe, measure the DC-link voltage and wait until the voltage has fallen below 60V.



Secure hanging loads!

Built-in holding brakes do not ensure functional safety!

Hanging loads (vertical axes) require an additional, external mechanical brake to ensure personnel safety.



Evaluate chemical compatibility of the motor cable!

Compatibility of the cable to cleaning solutions used in the application should be evaluated before subjecting the cable to long-term exposure to chemicals. Long-term exposure of the motor cable to chemicals not compatible with the motor cable could result in contamination of product, motor failure, and electrocution hazard due to the exposure of high voltage wiring inside the motor cable.



Evaluate chemical compatibility of the optional cable tube!

Silicone tubing protects the cable and electrical interfaces on these motors from exposure to cleaning solutions and avoids emissions from the motor cable. Exposure of the silicone tubing to strong mineral acids should be avoided to avoid chemical degradation of the silicone tubing. Compatibility of the silicone tubing with cleaning solutions used in the application should be evaluated before subjecting the silicone tubing to long-term exposure to chemicals. Long-term exposure of the silicone tubing to chemicals not compatible with the silicone tubing could result in contamination of product, motor failure, and electrocution hazard due to the exposure of high voltage wiring inside the motor cable.



Avoid scratches!

To ensure hygienic requirements, please, check motor and cable before mounting into application to be sure that there are no scratches, which could hide dangerous pathogens. Hidden pathogens in scratches could lead to contamination of produced product.

1.2.2 Use as directed

- The AKMH series of synchronous servomotors is designed especially for drives for food & beverage, chemical, pharmaceutical machinery and similar with high requirements for hygienics and dynamics.
- The use of AKMH motors is allowed in applications with indirect contact to food and beverage. The motors are acceptable for use in food splash zones. When applying in these applications, the tubing option over the motor cable is required (see Connection Options (→ # 17)).
- The user is only permitted to operate the motors under the ambient conditions which are defined in this documentation.
- The use of AKMH motors is allowed in environments with cleaning agents with respect to the defined conditions in chapter Hygienic Design (→ # 23).
- The AKMH series of motors is exclusively intended to be driven by drives under speed and / or torque control.
- The motors are installed as components in electrical apparatus or machines and can only be commissioned and put into operation as integral components of such apparatus or machines.
- The thermal sensor which is integrated in the motor windings must be connected and evaluated.
- The holding brakes are designed as standstill brakes and are not suited for repeated operational braking.
- The conformity of the servo system to the standards mentioned in the EC Declaration of Conformity (→ # 91) is only guaranteed when the components (drive, motor, cables etc.) that are used have been supplied by us.

EHEDG applications

- Observe the allowed mounting positions depending on the flange type (B5, B14, V18 according to EN 60034-7), see (→ # 25).
- Mount the cable exit in the "down" or "side" region and install the cable with a drip-loop to promote drainage after washdown.
- Use o-ring for face or flange interface at motor mounting.
- Use sealed screws for motor mounting (mounting kit).
- Cover the shaft center hole with a sealed screw (mounting kit) if the shaft end is exposed.
- Avoid direct contact of metal to metal when mounting or connecting the motor.

1.2.3 Prohibited use

- The use of the AKMH motors is prohibited directly on mains supply networks.
- AKMH motors should not be used in applications with continuous, direct contact with food.
- Standard AKMH cables are not sufficient for installation in food splash zones. When applying in these applications, the tubing option for the cable is required.
- Standard AKMH motors should not be applied in explosion-prone, hazardous environments.
- Standard AKMH motors should not be used in clean room applications.
- AKMH motors should not be mounted vertically with shaft upwards to avoid harboring dirt, soil, and liquids.
- Commissioning the motor is prohibited if the machine in which it was installed - does not meet the requirements of the EC Machinery Directive,

- does not comply with the EMC Directive,
- does not comply with the Low Voltage Directive.
- Built-in holding brakes without further equipment must not be used to ensure functional safety.

1.2.4 European Directives and Standards for the machine builder

AKMH motors are components that are intended to be incorporated into electrical plant and machines for industrial use. When the motors are built into machines or plant, the motor must not be used until it has been established that the machine or equipment fulfills the requirements of the

- EC Machinery Directive (2006/42/EC)
- EMC Directive (2014/30/EU)
- EC Low Voltage Directive (2014/35/EU)

Standards to be applied for conformance with the EC Machinery Directive (2006/42/EC)

- DIN EN 60204-1 (Safety and Electrical Equipment in Machines)
- DIN EN ISO 14159 (Safety of machinery - Hygiene requirements for the design of machinery)
- DIN EN 1672-2 (Food processing machinery - Hygiene requirements)

Kollmorgen AKMH motors meet these standards.

NOTE

The machine manufacturer must check whether other standards or EC Directives must be applied to the machine.

Standards to be applied for conformance with the EC Low Voltage Directive (2014/35/EU)

- IEC 60204-1 (Safety and Electrical Equipment in Machines)
- IEC 60439-1 (Low-voltage switchgear and controller assemblies)

Standards to be applied for conformance with the EMC Directive (2014/30/EU)

- IEC 61000-6-1 / 2 (Interference Immunity in Residential & Industrial Areas)
- IEC 61000-6-3 / 4 (Interference Generation in Residential & Industrial Areas)

The manufacturer of the machine is responsible for ensuring that it meets the limits required by the EMC regulations.

1.2.5 Handling

Transport

- Climate category 2K3 according to EN61800-2, IEC 60721-3-2
- Temperature: -25...+70°C, max. 20K/hr change
- Humidity: rel. humidity 5% - 95% , no condensation
- Only by qualified personnel in the manufacturer's original recyclable packaging
- Avoid shocks, especially to the shaft end
- If the packaging is damaged, check the motor for visible damage. Inform the carrier and, if appropriate, the manufacturer.



CAUTION

The motor should not be picked up by the cable! The cable bushing could come loose or allow for contamination to get inside the motor, if the cable must support the weight of the motor. This could lead to electrocution hazard due to failure of electrical terminations.

Packaging

- Cardboard packing with Instapak[®] foam cushion. Recycling of foam is possible on special waste collection points.
- You can return the plastic portion to the supplier (see "Disposal").

Motor type	Packing	Max. stacking height	Motor type	Packing	Max. stacking height
AKMH2	Cardboard	7	AKMH5	Cardboard/ wooden crate	6
AKMH3	Cardboard	6	AKMH6	Wooden crate	6
AKMH4	Cardboard	6			

NOTE

If packages are being stacked, they must be in the horizontal orientation.

Storage

- Climate category 1K4 according to EN61800-2, IEC 60721-3-2
- Storage temperature- 25...+55°C, max. variation 20K/hr.
- Humidity rel. humidity 5% - 95%, no condensation
- Store only in the manufacturer's original packaging
- Max. stacking height see table in chapter "Packaging"
- Storage time unlimited

Maintenance

- Maintenance should be done by qualified personnel only.
- The AKMH motor is designed to be maintenance free for normal use. Some components however should be inspected time by time.
 - Once per year: inspect for wear including shaft grooving, seal drag, and particulate wear. Replace the seal in case of cuts or perforations. It is recommended that seals be replaced every 2 years under normal operating conditions.
 - Once per year: inspect cables and tubes. Replace the cable or tube in case of cuts or perforations (by the manufacturer).
 - Once per year: inspect o-rings for wear including cuts, perforations, and any visible damage that might compromise the sealing of the joints. In case of damages the o-rings (flange seal and seal of rear cover) should be replaced. If the o-ring between flange and motor housing is damaged, the motor must be replaced.
 - Once per year respectively after 2500 hours of operation: check the motor for bearing noise. If any unusual noises are heard, stop the operation of the motor, the bearings must be replaced (by the manufacturer).
 - After 20000 hours of normal operation: replace all bearings after 20,000 hours of operation under rated conditions (by the manufacturer).
- Opening the motor invalidates the warranty.

Cleaning

- Cleaning only by qualified personnel.
- Cleaning should take place only when the servo system is de-energized.
- Follow IP69K standards for wash-down pressure, temperature, angle, and distance for spray nozzle.
- Follow chemical compatibility guidelines for washdown and cleaning.
- Do not use wire brush or friction cleaning methods for the motor and cable surface. Use wash down (IP69K) and wipe down practices only.

Repair / Disposal

Repair of the motor must be done by the manufacturer. Opening the motor invalidates the warranty. In accordance to the WEEE-2012/19/EU-Guidelines we take old devices and accessories back for professional disposal, if the transport costs are taken over by the sender. Send the devices to:

KOLLMORGEN Europe GmbH
 Pempelfurtstr. 1
 D-40880 Ratingen

1.3 Package

1.3.1 Delivery package

- Motor from the AKMH series.
- Instructions manual printed, one per delivery.
- O-ring for flange sealing.

1.3.2 Accessories

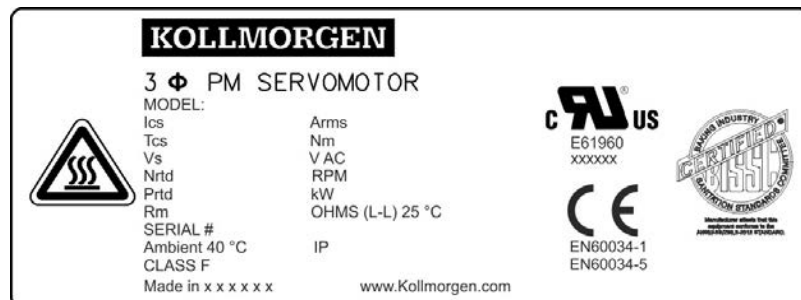
IEC mounting kits with shaft center screw and flange screws.

Part Number	Description
MTG-KIT-AKMH2-IEC	Mounting Hardware AKMH2, Ax flange / Cx front mounting
MTG-KIT-AKMH3-IEC	Mounting Hardware AKMH3, Ax flange / Cx front mounting
MTG-KIT-AKMH4-IEC	Mounting Hardware AKMH4, Ax flange / Cx front mounting
MTG-KIT-AKMH5-IEC	Mounting Hardware AKMH5, Ax flange / Cx front mounting
MTG-KIT-AKMH6-IEC	Mounting Hardware AKMH6, Ax flange / Cx front mounting

NEMA mounting kits are described in the US selection guide, available from the Kollmorgen website (www.kollmorgen.com).

1.3.3 Nameplate

With AKMH motors the nameplate is laser marked on the housing side.

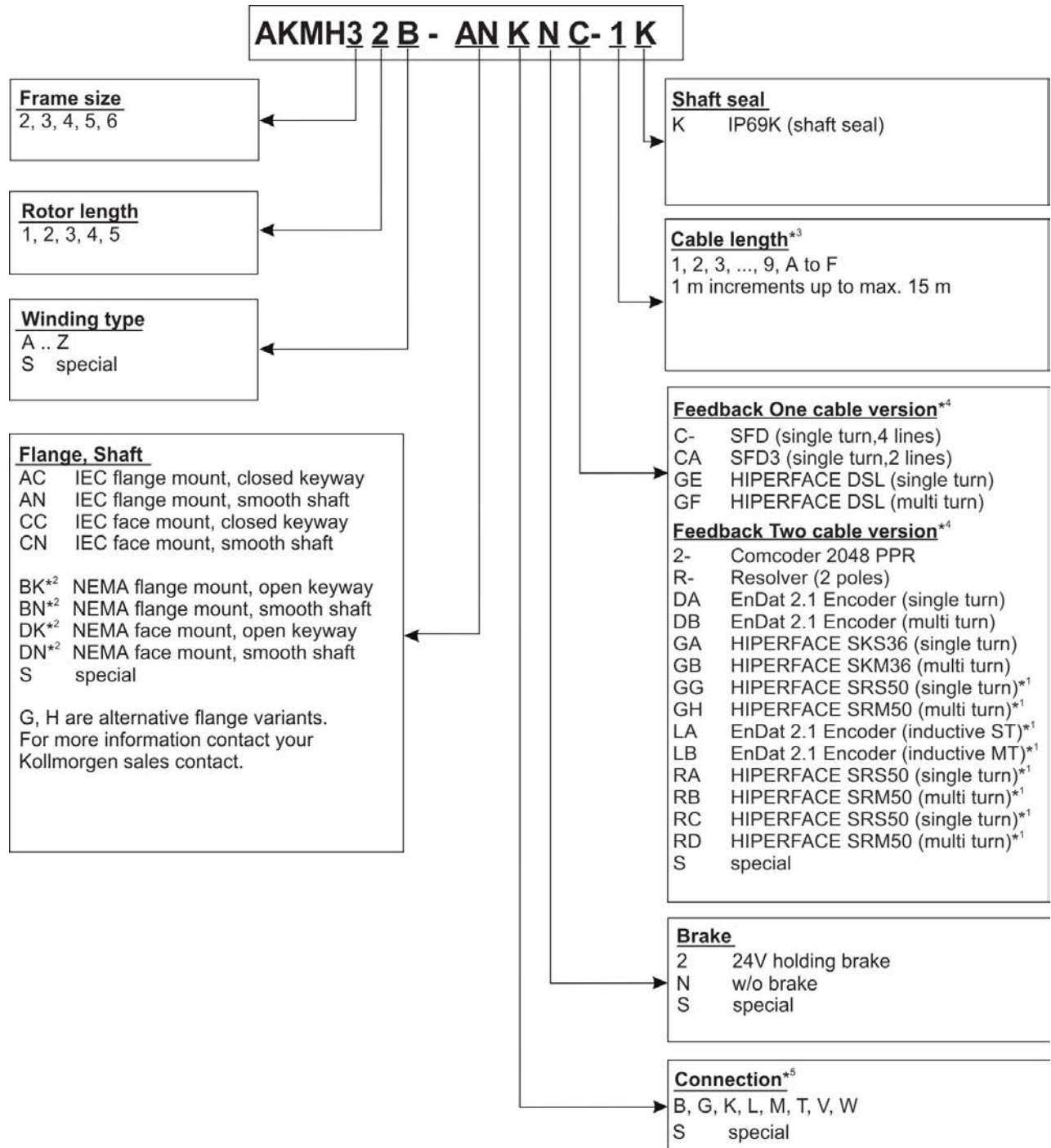


Legend:

MODEL	Motor type
Ics I _{0rms}	Standstill current
Tcs M ₀	Standstill torque
Vs U _N	Mains voltage
Nrtd nn	Rated speed @ U _N
Prtd Pn	Rated power
Rm R25	Winding resistance @ 25°
SERIAL	Serial no.
AMBIENT	Maximum ambient temperature

Year of manufacturing is coded in the serial number: the first two digits of the serial number are the year of manufacturing, e.g. "13" means 2013.

1.3.4 Model number description



*1 = in development

*2 = NEMA flanges are described in the US selection guide, available from the Kollmorgen website www.kollmorgen.com.

*3 = for more details see (→ # 15).

*4 = for more details see (→ # 16).

*5 = for more details see (→ # 17).

1.3.4.1 Frame size, flange and shaft options

Dimension drawings can be found from chapter "Dimension Drawings" (→ # 74).

Framesize	Flange type	Flange diameter ∅	Pilot diameter ∅	Shaft diameter ∅	Accuracy pilot ¹⁾	Accuracy shaft ²⁾	Tolerance class pilot ³⁾
2	A, C	79 mm	40 mm	11 mm	j6	k6	N
2	G, H	in development					
3	A, C	89 mm	60 mm	14 mm	j6	k6	N
3	G, H	in development					
4	A, C	114 mm	80 mm	19 mm	j6	k6	N
4	G, H	in development					
5	A, C	148 mm	110 mm	24 mm	j6	k6	N
5	G, H	132 mm	95 mm	24 mm	j6	k6	N
6	A, C	186 mm	130 mm	32 mm	j6	k6	N
6	G, H	in development					

1) acc. to EN 60034-7.....2) acc. to EN 42955.....3) acc. to EN 50347

Mount/Shaft availability

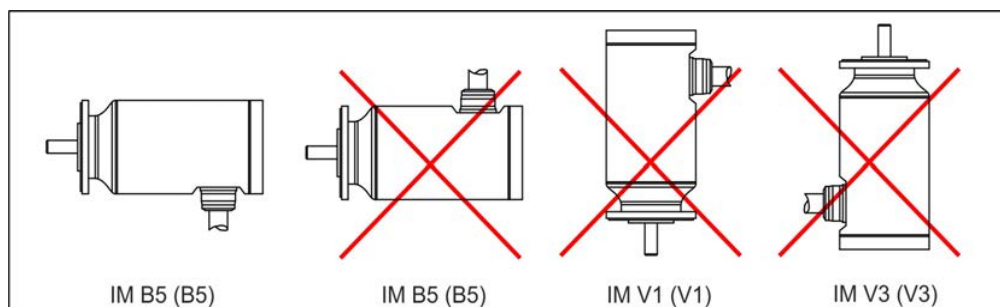
Motor	Mount/Shaft							
	AC	AN	CC	CN	GC	GN	HC	HN
AKMH2	x	x	x	x				
AKMH3	x	x	x	x				
AKMH4	x	x	x	x				
AKMH5	x	x	x	x	x	x	x	x
AKMH6	x	x	x	x				

Flange mounting (flange types Ax, Gx):

The basic style for flange mounting is style IM B5 according to EN 60034-7.

Mount the o-ring (FDA approved) for flange sealing.

Mounting styles IM V1, IM V3 and IM B5 with cable bushing on top are not allowed in hygienic applications. Mount the cable bushing in the "down" part of motor to promote drainage after washdown. Add a strain relief to the cable if necessary.

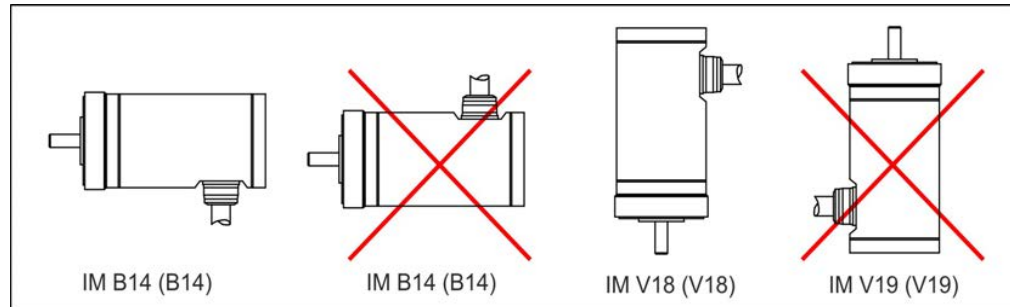


Face mounting (flange types Cx, Hx):

The basic style for face mounting is style IM B14 according to EN 60034-7.

Mount the o-ring (FDA approved) for flange sealing.

Mounting styles IM V19 and IM B14 with cable bushing on top is not allowed in hygienic applications. Mount the cable bushing in the “down” part of motor to promote drainage after wash-down. Add a strain relief to the cable if necessary.

**Shaft**

Power transmission is made through the cylindrical shaft end (with a shaft center thread).

Code	Description	Description
C	Closed keyway	Keyway according to DIN 748. Key according to DIN 6885 T1 form A. Key material: stainless steel 1.4404 Shaft center locking thread Shaft material: stainless steel 1.4404
N	Smooth shaft	Shaft center locking thread Shaft material: stainless steel 1.4404

1.3.4.2 Shaft seal

Hygienics for food and beverage or medical applications require high level protection class. For AKMH motors, IP69K is defined. The mechanical and electrical motor interfaces are the most critical areas to fulfill the requirements.

The mechanical interface (flange and shaft) will usually be connected either to a machine flange or to a gearbox. Flange sealing is done with the FDA approved o-ring.

If AKMH is connected to a machine flange with unsealed shaft region, then the shaft seal ensures the IP69K shaft sealing. The shaft seal is an FDA approved, single lip, mineral filled Teflon ring.

Shaft seal	Flange sealing	Protection class
K	O-Ring	IP69K

1.3.4.3 Shaft seal run-in procedure

Run-in procedure of shaft seal needs to be performed to ensure rated performance of AKMH motors. Kollmorgen recommends executing following run-in procedure:

- 30 minutes no load run at maximum speed in CW direction
- 30 minutes self-cooling of AKMH motor
- 30 minutes no load run at maximum speed in CCW direction
- 30 minutes self-cooling of AKMH motor
- This cycle should be repeated 3 times

1.3.4.4 Rotor length options

Rotor length is one of the parameters which define the overall motor lengths. Rotor length depends on the number of permanent magnet rows and magnet size. Kollmorgen defines the rotor length with a single number (1 to 5) from short to long. Within every rotor length several windings are defined. Drawings can be found in chapter "Dimension Drawings" (→ # 74).

1.3.4.5 Winding type options

Kollmorgen defines windings with a single character (A to Z) from low current to high current windings. Technical data referring to the windings can be found in chapter Technical Data (→ # 66).

1.3.4.6 Cable length options

Due to protection class requirements for hygienic applications a fixed cable version is recommended rather than a connector version for AKMH motors. Cable version has to be ordered with defined cable length.

Kollmorgen offers cable length in increments of 1 m. Minimum cable length is 1 m, maximum cable length are 15 m. Coding is hexadecimal (1, 2, 3, ..., 9, A to F). See table below.

NOTE

Total motor weight depends on the motor type and cable length. Weight of 1m cable is 0.32kg, this value has to be added to motor weight. The weight data of chosen motor type is given in the Technical data section. (→ # 66)

Cable length options			
Model number description	Length (m)	Model number description	Length (m)
1	1	9	9
2	2	A	10
3	3	B	11
4	4	C	12
5	5	D	13
6	6	E	14
7	7	F	15
8	8		

1.3.4.7 Feedback options

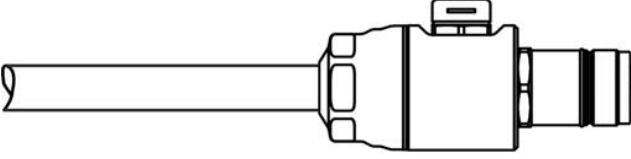
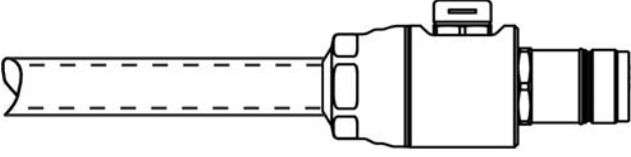
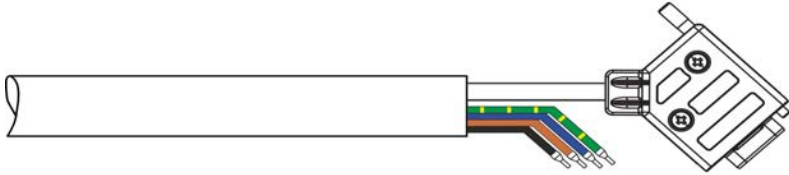
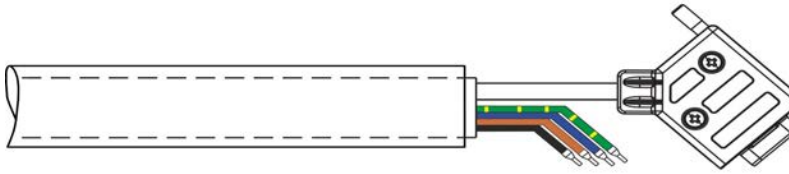
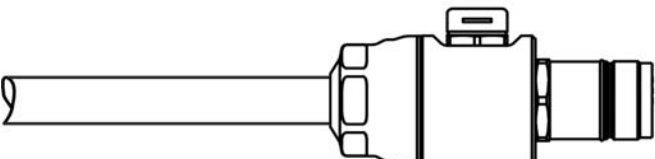
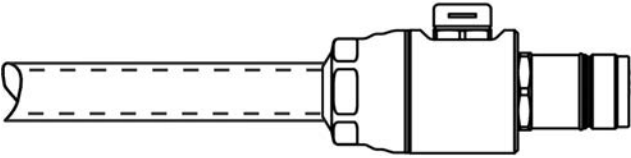
Retrofitting a feedback is not possible.

Code	Description	Model	Remarks	Single cable connection option	Dual cable connection option	Brake possible
2-	Comcoder	EPC260	2048 PPR	-	B,G,L,M,V,W	Yes
C-	SFD, Smart Feedback Device	Size 15	Single Turn, 4 lines	B,G,K,T,V,W	-	No
CA	SFD3, Smart Feedback Device 3	Size 15	Single Turn, 2 lines	B,G,K,T,V,W	-	Yes
DA	EnDat absolute Encoder	ECN1113	AKMH2-4 Single Turn, optical	-	B,G,L,M,V,W	Yes
		ECN1313	AKMH5-6 Single Turn, optical			
DB	EnDat absolute Encoder	ECN1125	AKMH2-4 Multi Turn, optical	-	B,G,L,M,V,W	Yes
		ECN1325	AKMH5-6 Multi Turn, optical			
GA	HIPERFACE Encoder	SKS36	Single Turn, optical	-	B,G,L,M,V,W	Yes
GB	HIPERFACE Encoder	SKM36	Multi Turn, optical	-	B,G,L,M,V,W	Yes
GE	HIPERFACE DSL absolute Encoder	EKS36	Single Turn, optical	B,G,L,M,V,W	-	Yes
GF	HIPERFACE DSL absolute Encoder	EKM36	Multi Turn, optical	B,G,L,M,V,W	-	Yes
GG*	HIPERFACE Encoder	SRS50-K21	AKMH4-6 Single Turn, optical, 7-12V, programmed for AKD	-	B,G,L,M,V,W	Yes
GH*	HIPERFACE Encoder	SRM50-K21	AKMH4-6 Multi Turn, optical, 7-12V, programmed for AKD	-	B,G,L,M,V,W	Yes
LA*	EnDat absolute Encoder	ECI1118	AKMH2-4 Single Turn, inductive	-	B,G,L,M,V,W	Yes
		ECI1319	AKMH5-6 Single Turn, inductive			
LB*	EnDat absolute Encoder	EQI1130	AKMH2-4 Multi Turn, inductive	-	B,G,L,M,V,W	Yes
		EQI1331	AKMH5-6 Multi Turn, inductive			
R-	Resolver	Size 15	2 poles	-	B,G,L,M,V,W	Yes
RA*	HIPERFACE Encoder	SRS50-S21	AKMH4-6 Single Turn, optical, 5V, programmed for Rockwell	-	L,M,R	Yes
RB*	HIPERFACE Encoder	SRM50-S21	AKMH4-6 Multi Turn, optical, 5V, programmed for Rockwell	-	L,M,R	Yes
RC*	HIPERFACE Encoder	SRS50-K21	AKMH4-6 Single Turn, optical, 7-12V, programmed for AKD	-	L,M,R	Yes
RD*	HIPERFACE Encoder	SRM50-K21	AKMH4-6 Multi Turn, optical, 7-12V, programmed for AKD	-	L,M,R	Yes

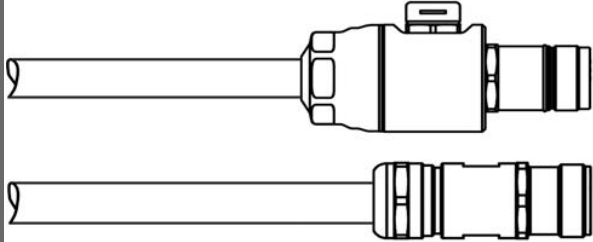
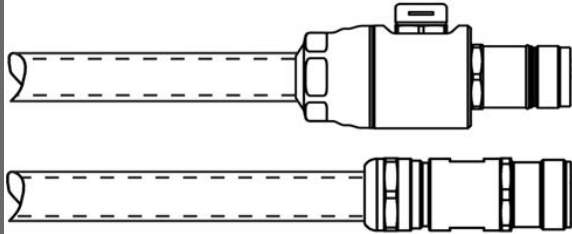
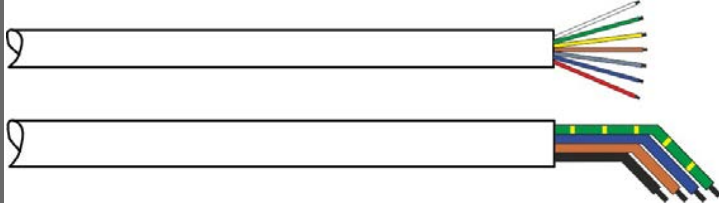
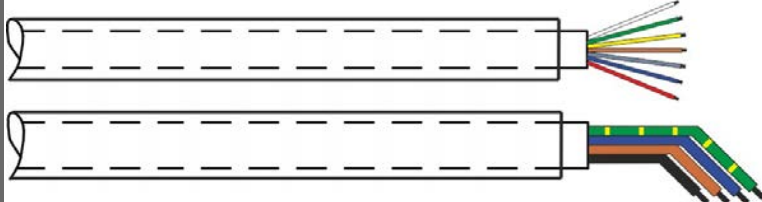
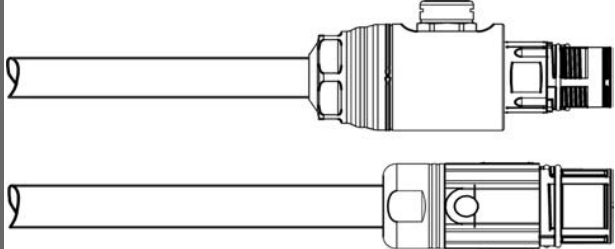
*=in development

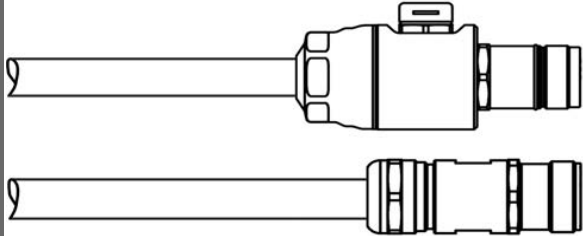
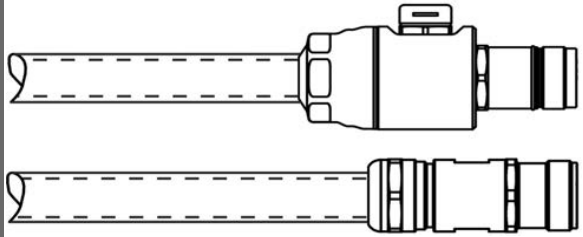
1.3.4.8 Connection options

The single hybrid cable combines power and feedback signals in one cable and is connected inside the motor.

Single cable options Feedback: C-, CA, GE, GF	
Code	Description
B	<p>Single hybrid cable with non-stainless steel vented connector with air pressure compensation. Vented connector is non-hygienic. Protection class IP67.</p> 
G	<p>Single hybrid cable with non-stainless steel vented connector with air pressure compensation covered by food grade tubing. Vented connector is non-hygienic. Protection class IP67.</p> 
K	<p>Single hybrid cable with AKD connector. Cable pre-prepared for AKD-B/P/T/M. Cable with flying power leads and feedback with mounted connector. Power leads has assembled metal ferrules and are prepared for connecting to the AKD (see AKD installation manual).</p> 
T	<p>Single hybrid cable with AKD connector covered by food grade tubing. Cable pre-prepared for AKD-B/P/T/M. Cable with flying power leads and feedback with mounted connector. Power leads has assembled metal ferrules and are prepared for connecting to the AKD (see AKD installation manual).</p> 
V	<p>Single hybrid cable with stainless steel vented connector with air pressure compensation. Vented connector is non-hygienic. Protection class IP69K.</p> 
W	<p>Single hybrid cable with stainless steel vented connector with air pressure compensation covered by food grade tubing. Vented connector is non-hygienic. Protection class IP69K.</p> 

The dual cables lead power and feedback signals separately and are connected inside the motor.

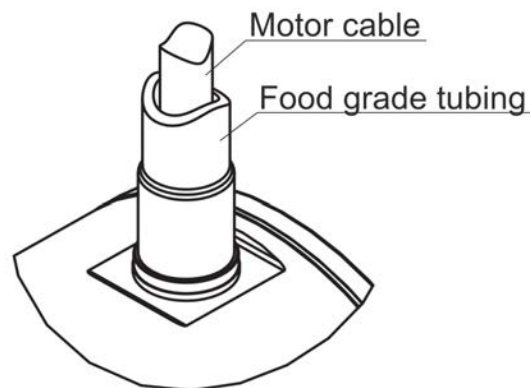
Dual cable options Feedback: 2-, R-, DA, DB, GA, GB, GG, GH, LA, LB, RA, RB, RC, RD	
Code	Description
B	Dual cable with non-stainless steel vented connector with air pressure compensation. Vented connector is non-hygienic. Protection class for both connectors IP67. 
G	Dual cable with non-stainless steel vented connector with air pressure compensation covered by food grade tubing. Vented connector is non-hygienic. Protection class for both connectors IP67. 
L	Dual cable with flying leads. Power cable and feedback cables only with flying leads without ferrules. 
M	Dual cable with flying leads covered by food grade tubing. Power cable and feedback cables only with flying leads without ferrules. 
R	Dual cable with non-stainless steel vented connector with air pressure compensation. Vented connector is non-hygienic. Protection class for both connectors IP67. 

Dual cable options Feedback: 2-, R-, DA, DB, GA, GB, GG, GH, LA, LB, RA, RB, RC, RD	
Code	Description
V	Dual cable with stainless steel vented connector with air pressure compensation. Vented connector is non-hygienic. Protection class for both connectors IP69K. 
W	Dual cable with stainless steel vented connector with air pressure compensation covered by food grade tubing. Vented connector is non-hygienic. Protection class for both connectors IP69K. 

Depending on the application requirements you can select either standard (washdown) cabling or hygienic (food) cabling.

Non food applications can be connected with washdown hybrid cable (B,K,L,R,V).

Food applications require a special solution with a tube covered hybrid cable (G,M,T,W).



NOTICE

Compatibility of the cable to cleaning solutions used in the application should be evaluated before subjecting the cable to long-term exposure to chemicals. Long-term exposure of the motor cable to chemicals not compatible with the motor cable could result in contamination of product, motor failure, and electrocution hazard due to the exposure of high voltage wiring inside the motor cable.

Code	Type	Cross Section	Min. Bending Radius	Remarks
B,V	Single hybrid cable with connector	(4xAWG14+2xAWG18+2xAWG22) up to 10A, Ø 15.24mm (4xAWG12+2xAWG18+2xAWG22) 10-20A, Ø 16.38mm	150 mm 165 mm	SFD Gen2: 4 power lines, 4 signal lines, no brake lines
K	Single hybrid cable with flying leads	(4xAWG14+2xAWG18+2xAWG22) up to 10A, Ø 15.24mm (4xAWG12+2xAWG18+2xAWG22) 10-20A, Ø 16.38mm	150 mm 165 mm	DSL/SFD3: 4 power lines, 2 signal lines, 2 brake lines
G,W	Single tube covered hybrid cable with connector	(4xAWG14+2xAWG18+2xAWG22) up to 10A, Ø 15.24mm (4xAWG12+2xAWG18+2xAWG22) 10-20A, Ø 16.38mm	255 mm	SFD Gen2: 4 power lines, 4 signal lines, no brake lines with silicone FDA tubing
T	Single tube covered hybrid cable with flying leads	(4xAWG14+2xAWG18+2xAWG22) up to 10A, Ø 15.24mm (4xAWG12+2xAWG18+2xAWG22) 10-20A, Ø 16.38mm	255 mm	DSL/SFD3: 4 power lines, 2 signal lines, 2 brake lines with silicone FDA tubing
B,L,V, R	Dual power cable	(4xAWG14) up to 10A, Ø 15.24mm (4xAWG12) 10-20A, Ø 16.38mm	150 mm 165 mm	
	Dual feedback cable	(8x2xAWG24), Ø 11.56mm	115 mm	
G,M,W	Dual tube covered power cable	(4xAWG14) up to 10A, Ø 15.24mm (4xAWG12) 10-20A, Ø 16.38mm	255 mm	With silicone FDA tubing
	Dual tube covered feedback cable	(8x2xAWG24), Ø 11.56mm	255 mm	

1.3.4.9 Mating Connectors

Kollmorgen suggest to use these mating connectors.

Single cable options Feedback: C-, CA, GE, GF	
Code	Suggested mating connector
B,G,V,W	Hummel Kit 7.554.608.991

Dual cable options Feedback: 2-, R-, DA, DB, GA, GB, GG, GH, LA, LB, RA, RB, RC, RD	
Code	Suggested mating connectors
B,G,V,W	Power & Brake: Hummel Kit 7.554.608.991 Feedback 12-pin: Hummel Kit 7.241.612.990 Feedback 18-pin: Hummel Kit 7.241.617.990
R	Power & Brake: Intecontec BSTA-082-FR-79-59-0100-000 Feedback: Intecontec ASTA-035-NN-00-61-0235-000

1.3.4.10 Holding brake option

All AKMH motors except feedback option SFD "C-" are optionally available with a holding brake. Retrofitting a brake is not possible. A spring applied brake (24V DC) is integrated into the motors. When this brake is de-energized it blocks the rotor.



WARNING

If there is a suspended load (vertical axes), the motor's holding brake is released, and, at the same time, the servo drive does not produce any output, the load may fall down!

Risk of injury for the personnel operating the machine. Functional safety in case of hanging loads (vertical axes) can be ensured only by using an additional, external, mechanical brake.

NOTICE

The holding brakes are designed as standstill brakes and are not suited for repeated operational braking. In the case of frequent, operational braking, premature wear and failure of the holding brake is to be expected.

NOTE

The motor length increases when a holding brake is mounted.

The holding brake can be controlled directly by the drive (no functional safety!), the winding is suppressed in the drive — additional circuitry is not required (see instructions manual of the used drive). If the holding brake is not controlled directly by the drive, an additional wiring (e.g. varistor) is required. Consult our support department.

1.4 Technical Description

1.4.1 General technical data

Ambient temperature	0...+40°C for site altitude up to 1000m amsl (at rated values). It is vital to consult our applications department for ambient temperatures above 40°C and encapsulated mounting of the motors.
Power de-rating (currents and torques)	1% / K in range 40°C...50°C up to 1000m amsl for site altitude above 1000m amsl and 40°C <ul style="list-style-type: none"> • 6% up to 2000m amsl • 17% up to 3000m amsl • 30% up to 4000m amsl • 55% up to 5000m amsl <p>No de-rating for site altitudes above 1000m amsl with temperature reduction of 10K / 1000m</p>
Motor temperature	If application requires de-rating due to lower motor surface temperature, please contact our applications department.
Ball-bearing life	≥ 20,000 operating hours

NOTE

Technical data for every motor type can be found in chapter "Technical Data" (→ # 66)

1.4.2 Standard features

1.4.2.1 Protection class

Shaft seal	Flange sealing	Protection class
K	O-Ring	IP69K

Protection class IP69K has been created for high pressure and high temperature cleaning according to DIN 40050-9.

Code "6" defines the resistancy against dust, code "9" defines the resistancy against short distance high pressure liquid.

1.4.2.2 Insulation material class

The motors come up to insulation material class F according to IEC 60085 (UL1446 class F).

1.4.2.3 Surface

AKMH motor housing is made from 1.4404 stainless steel. Surface roughness is less than 0.8 μm according to EHEDG requirements.

1.4.2.4 Shaft end

Power transmission is made through the cylindrical shaft end, fit k6 to EN 50347, with a locking thread. Bearing life is calculated with 20.000 operating hours.

Radial force

If the motors drive via pinions or toothed belts, then high radial forces will occur. The permissible values at the end of the shaft may be read from the diagrams in chapter "Dimension Drawings" (\rightarrow # 74). The maximum values at rated speed are listed in the technical data. Power take-off from the middle of the free end of the shaft allows a 10% increase in F_R .

Axial force

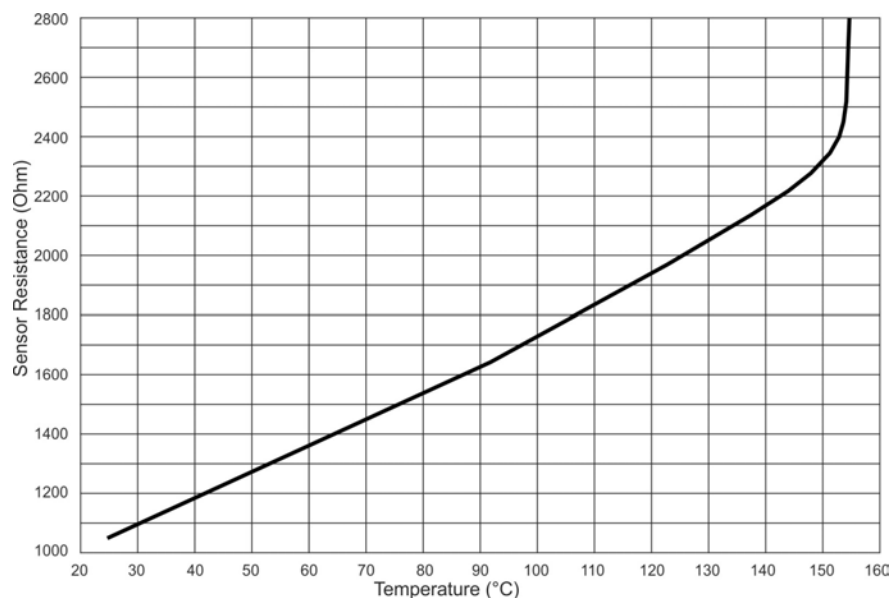
When assembling pinions or wheels to the axis and use of e.g. angular gearheads axial forces arise. The permissible values at the end of the shaft may be read from the diagrams in chapter "Dimension Drawings" (\rightarrow # 74). The maximum values at rated speed are listed at the technical data.

Coupling

Double-cone collets have proved to be ideal zero-backlash coupling devices, combined, if required, with metal bellows couplings. For hygienic applications is recommended to use food grade couplings. Customer is responsible for using suitable coupling on AKMH shaft according application.

1.4.2.5 Protective device

The standard version of each motor is fitted with an electrically isolated temperature sensor (rated temperature 155°C \pm 5%). The sensor does not provide any protection against short, heavy overloading. The sensor is integrated into the monitoring system of the AKD. Motor is equipped with thermal sensor, which contains KTY83-110 and PTC serially connected. Setup of threshold limit in the drive to 2500 Ohms. Sensor is defined by following diagram:



1.4.2.6 Vibration class

The motors are made to vibration class A according to EN 60034-14.

For a speed range of 600 rpm to 3600 rpm and a frame size between 56 mm and 132 mm, this means that the actual value of the permitted vibration severity is 1.6 mm/s.

Velocity [rpm]	max. rel. Vibration Displacement [μm]	max. Run-out [μm]
≤ 1800	90	23
> 1800	65	16

1.4.3 Hygienic design

The Food and Drug Administration (FDA) is an agency of the United States Department of Health and Human Services. The FDA is responsible for protecting and promoting public health through the regulation and supervision of food safety, vaccines, biopharmaceuticals, blood transfusions, medical devices and other products.

NOTE

All exterior materials of the AKMH motor, with the exception of the cable, are FDA approved. Any direct contact with unpacked foodstuffs is not permitted.

The "European Hygienic Engineering and Design Group" (EHEDG) is a European-based non government organization devoted to the advancement of hygienic design and food engineering. European legislation requires that handling, preparation, processing, packaging, etc. of food is done hygienically, with hygienic machinery in hygienic premises (the food hygiene directive, the machine directive and the food contact materials directive).

NOTE

The AKMH motor is conform to the European hygienic directives.

Requirements	IP69K	
	Food-Grade	Non-Food-Grade
O-Ring	necessary	necessary
Cable tube	necessary	-
Shaft seal	necessary	necessary

Application Area:	Foodstuffs and drinks industry, no direct contact with unpacked foodstuffs. Pharmazeutical, medical laboratories.
Example:	Cutting, packing and filling without direct contact with foodstuffs. Motor laterally or below the food.
Standards:	UL, CE, RoHs, BISSC, NSF, USDA, FDA, EHEDG (pending), according to DIN EN ISO 14159 and DIN EN 1672-2
Surface:	Stainless steel 1.4404, roughness $< 0.8 \mu\text{m}$
Immunity:	Against tested industrial cleaning agent (\rightarrow # 24), corrosion-proof
Degree of protection:	IP69K
Mounting screw*:	Stainless steel 1.4404, sealant FDA 21 CFR 175.300
O-Ring:	EPDM, FDA 21 CFR 177.2600
Shaft:	Stainless steel 1.4404
Rotary shaft seal:	Mineral filled PTFE, single lip, mineral: FDA 21 CFR 175.300 PTFE: FDA 21 CFR 177.1500
Shaft center screw*:	Stainless steel 1.4404, sealant FDA 21 CFR 175.300
Bearing grease:	food-grade as per FDA 21 CFR 178.3570
Cable gland:	Stainless steel 1.4404, Silicone seal FDA 21 CFR 177.2600
Cable tube:	Silicone FDA 21 CFR 177.2600
Name plate:	Laser marked in housing
Size:	AKMH2 to AKMH6

* optional, included in the mounting kit

1.4.3.1 Tested properties with respect to cleaning agents

The testing lab of ECOLAB Deutschland GmbH tested the resistance of the external surfaces to the following industrial cleaning agents:

- P3-topactive DES
- P3-topax 12
- P3-topax 56
- P3-topax 66
- P3-topax 990

In the process, the surfaces were immersed in the respective cleaning agent at 21°C temperature for 28 days. This corresponds to approx. 2,500 cleaning cycles with 15-minute contact each with the cleaning agent or 1,500 cleaning cycles with cleaning and subsequent disinfection. Due to the possible relaxation after each treatment in practice the chemical attack would be even lower.

NOTICE

Kollmorgen can only give a guarantee for the motor's lifecycle if the tested cleansing agents are used. Any cleansing agent other than those mentioned above can be tested by Kollmorgen upon request and, if appropriate, be approved.

1.4.3.2 Cleaning plan

Recommended cleaning plan (short form) with tested cleaning agents:

Flushing with water (40 °... 50 °C)

Flushing with low pressure. From top to bottom in the direction of the drain. Clean the drain.

Foam cleaning

Foaming from top to bottom.

Alkaline:	P3-topax 66 (2-5%, 15 min daily)
Acid:	P3-topax 56 (2%, if necessary 15 min)
Temperature:	cold, up to 40 °C

Disinfection

Spraying with water (40 °... 50 °C) with low pressure. From top to bottom.

Spray disinfection:	P3-topax 990 (1-2%, if necessary 30-60 min)
Foam disinfection:	P3-topactiv DES (1-3%, if necessary 10-30 min)

1.5 Mechanical Installation

NOTE

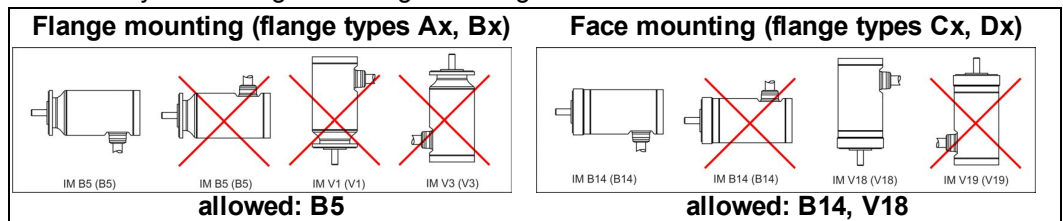
Dimension drawings can be found in chapter "Dimension Drawings" (→ # 74).

1.5.1 Important Notes

NOTE

Only qualified staff with knowledge of mechanical engineering are permitted to assemble the motor.

- Protect motor and cable from unacceptable stresses. During transport and handling no components must be damaged. Avoid scratches on the stainless steel surface and cuts on the tube.
- Basic styles for flange mounting according to EN 60034-7:



- Shaft end upwards mounting and cable bushing on top of motor is not allowed in hygienic applications.
- Use o-ring (part of delivery) for face or flange interface at motor mounting.
- Use sealed screws for motor mounting.
- If the shaft is exposed, cover the shaft center hole with sealed screw.
- Mount the cable bushing in the "down" or lower hemisphere region to promote drainage after washdown. Add a strain relief to the cable if necessary.
- Ensure an unhindered ventilation of the motors and observe the permissible ambient and flange temperatures. For ambient temperatures above 40°C please consult our applications department beforehand. Ensure that there is adequate heat transfer in the surroundings and the motor flange.
- Motor flange and shaft are especially vulnerable during storage and assembly — so avoid brute force. It is important to use the locking thread which is provided to tighten up couplings, gear wheels or pulley wheels and warm up the drive components, where possible. Blows or the use of force will lead to damage to the bearings and the shaft.
- Wherever possible, use only backlash-free, frictionally-locking collets or couplings. Ensure correct alignment of the couplings. A displacement will cause unacceptable vibration and the destruction of the bearings and the coupling.
- In all cases, do not create a mechanically constrained motor shaft mounting by using a rigid coupling with additional external bearings (e.g. in a gearbox).
- Avoid axial loads on the motor shaft, as far as possible. Axial loading significantly shortens the life of the motor.
- Check the compliance to the permitted radial and axial forces F_R and F_A .
When you use a toothed belt drive, the minimal permitted diameter of the pinion e.g. follows from the equation: $d_{\min} \geq (M_0 / F_R) * 2$.

1.5.2 Flange mounting, Face mounting

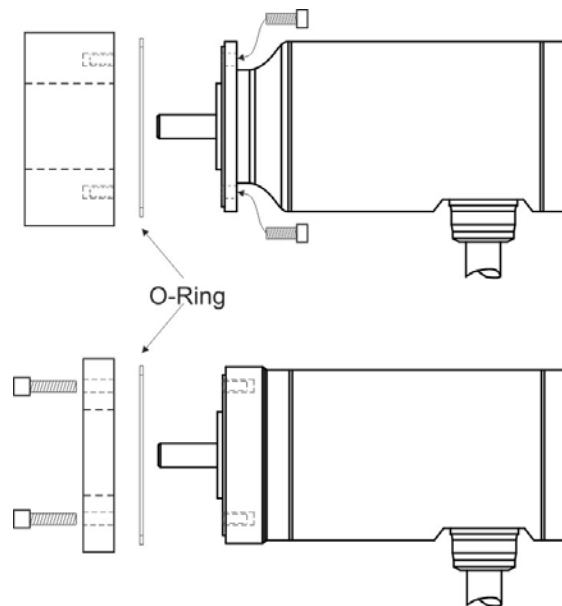


WARNING

Galvanic corrosion could result in contamination of product, failure of motor mounting and motor failure. Failure of the motor mounting could lead to electrocution hazard due to failure of electrical terminations or the motor cable as a result strain on the motor cable.

The motor housing is stainless steel. Avoid direct coupling of the motor to more active metals such as aluminum or carbon steel to prevent galvanic corrosion.

AKMH motors can be mounted either from the rear side of the flange or from the front side.



Flange mount (A):

Through-bores allow mounting with sealed screws from rear side.

In hygienic applications only B5 mounting according to EN 60034-7.

Flange mount (C):

Threads allow mounting with sealed screws from the front side.

In hygienic applications only B14/V18 mounting according to EN 60034-7.

Use the optional AKMH mounting kits (→ # 11) which will include the correct sealed screws for flange and center shaft, to meet the hygienic requirements.

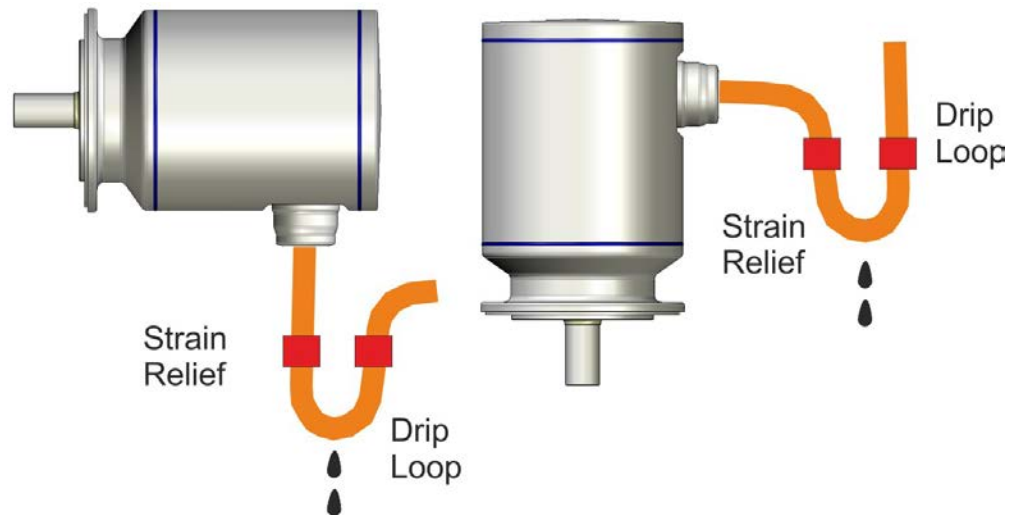
1.5.3 O-ring sealing

Place the FDA approved o-ring (part of delivery) to the groove of the motor flange (see graphics above), then press the motor to the counter flange (for example the gearbox flange) and fix the sealed screws.

1.5.4 Cable installation

Mount the cable exit in the “down” or lower hemisphere region to promote drainage after wash-down.

Create a drip loop so that any liquids or chemicals that spray or splash on to the cable will travel down to the loop and drip off instead of running down the cable directly on to the motor strain relief bushing.



CAUTION

The cable bushing could come loose or allow for contamination to get inside the motor, if no strain relief on the cable is used. This could lead to unexpected behavior of the motor and electrocution hazard due to failure of electrical terminations.

1.5.4.1 Standard cabling

Standard cable is usable in all applications except food grade applications. Observe the minimum bending radius for the cable (→ # 17).

NOTICE

Compatibility of the cable to cleaning solutions used in the application should be evaluated before subjecting the cable to long-term exposure to chemicals. Using the motor in food-grade applications requires the tube option for the cable.

1.5.4.2 Tube cabling

Silicone tubing protects the cable and electrical interfaces on these motors from exposure to cleaning solutions and avoids emissions from the motor cable.

Observe the minimum bending radius for the cable in tube (→ # 17).

NOTICE

Exposure of the silicone tubing to strong mineral acids should be avoided. Compatibility of the silicone tubing with cleaning solutions used in the application should be evaluated before subjecting the silicone tubing to long-term exposure to chemicals. Avoid exposure of the silicone tubing with strong mechanical stress. After installation and at regular intervals check the tube for cracks or cuts.

1.6 Electrical Installation

NOTE

Pinout for the connectors can be found in chapter "Connector Pinout" from (→ # 84). Pinout of the servo drive's end can be found in the instructions manual of the servo drive.

1.6.1 Important notes

NOTE

Only staff qualified and trained in electrical engineering are allowed to wire up the motor.



DANGER

Always make sure that the motors are de-energized during assembly and wiring, i.e. no voltage may be switched on for any piece of equipment which is to be connected.

There is a risk of death or severe injury from touching exposed contacts. Ensure that the switch cabinet remains turned off (barrier, warning signs etc.). The individual voltages will only be turned on again during setup.

Never undo the electrical connections to the motor while it is energised. Risk of electric shock ! In unfavorable circumstances, electric arcs can arise causing harm to people and damaging contacts.

A dangerous voltage, resulting from residual charge, can be still present on the capacitors up to 10 minutes after switch-off of the mains supply. Even when the motor is not rotating, control and power leads may be live. Measure the DC-link voltage and wait until it has fallen below 60V.

NOTE

To wire up the motor, use the wiring diagrams in the Installation and Setup Instructions of the drive which is used.

1.6.2 Connecting the motor

Kollmorgen delivers AKMH motors with fixed cables on the motor side and mounted feedback connectors and flying leads for power connection on the drive side for AKD-B/P/T/M devices.

Carry out the wiring in accordance with the valid standards and regulations. Incorrectly installed shielding leads to EMC interference and has an adverse effect on system function. Pinout of the drive's end can be found in the matching drive installation manual.

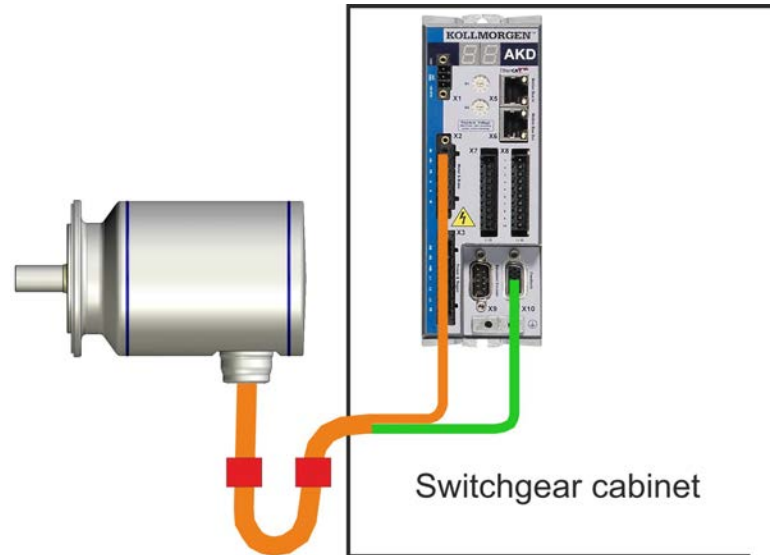
The maximum cable length is 15 m.

For a detailed description of cables, please refer to the [Product-Wiki](#).

1.6.3 Guide for electrical installation

1. Check that the drive and motor match each other. Compare the rated voltage and rated current of the unit.
2. If the motor must be connected to an AKD-B/P/T/M drive with 230V rated supply voltage (AKD-xzzz06 types), then the ferrule tips supplied on motor power wires must be trimmed by approximately 2 to 3 mm.
3. Ensure that there is proper earthing of the drive and the motor. Use correct earthing and EMC-shielding according to the AKD installation manual. Earth the mounting plate and motor housing.
4. The shielding must be connected to the drive (refer to the AKD installation manual).
5. Connect up all system shielding via a wide surface-area contact (low impedance) and metallized connector housings or EMC-cable glands.

System with AKMH and AKD-P



1.7 Setup

1.7.1 Important notes

NOTE

Only specialist personnel with extensive knowledge in the areas of electrical engineering / drive technology are allowed to commission the drive unit of drive and motor.


DANGER

Deadly voltages can occur, up to 900V. Risk of electric shock! Check that all live connection points are safe against accidental contact.

Never undo the electrical connections to the motor when it is live. Risk of electric shock! The residual charge in the capacitors of the drive can produce dangerous voltages up to 10 minutes after the mains supply has been switched off. Even when the motor is not rotating, control and power leads may be live. Measure the DC-link voltage and wait until it has fallen below 60V.


CAUTION

The surface temperature of the motor can exceed 100°C in operation. Danger of light burns! Check (measure) the temperature of the motor. Wait until the motor has cooled down below 40°C before touching it.


CAUTION

The drive performing unplanned movements during commissioning cannot be ruled out.

Make sure that, even if the drive starts to move unintentionally, no danger can result for personnel or machinery. The measures you must take in this regard for your task are based on the risk assessment of the application.

1.7.2 Guide for setup

The procedure for setup is described as an example. A different method may be appropriate or necessary, depending on the application of the equipment.

1. Check the assembly and orientation of the motor.
2. Check the drive components (clutch, gear unit, belt pulley) for the correct seating and setting (observe the permissible radial and axial forces).
3. Check the wiring and connections to the drive. Check that the earthing is correct.
4. Test the function of the holding brake, if used (apply 24V, brake must be released).
5. Check whether the rotor of the motor revolves freely (release the brake, if necessary). Listen out for grinding noises.
6. Check that all the required measures against accidental contact with live and moving parts have been carried out.
7. Carry out any further tests which are specifically required for your system based on the risk assessment.
8. Now commission the drive according to the AKD setup instructions.
9. In multi-axis systems, individually commission each drive unit (drive and motor).

1.7.3 Trouble Shooting

The following table is to be seen as a "First Aid" box. There can be a large number of different reasons for a fault, depending on the particular conditions in your system. The fault causes described below are mostly those which directly influence the motor. Peculiarities which show up in the control loop behavior can usually be traced back to an error in the parameterization of the drive. The documentation for the drive and the setup software provides information on these matters.

For multi-axis systems there may be further hidden reasons for faults.

Fault	Possible cause	Measures
Motor doesn't rotate	<ul style="list-style-type: none"> —Drive not enabled —Break in setpoint lead —Motor phases in wrong sequence —Brake not released —Drive is mechanically blocked 	<ul style="list-style-type: none"> —Supply ENABLE signal —Check setpoint lead —Correct the phase sequence —Check brake controls —Check mechanism
Motor runs away	<ul style="list-style-type: none"> —Motor phases in wrong sequence 	<ul style="list-style-type: none"> —Correct the phase sequence
Motor oscillates	<ul style="list-style-type: none"> —Break in the shielding of the feedback cable —Servo drive gain to high 	<ul style="list-style-type: none"> —Replace motor —use motor default values
Error message: brake	<ul style="list-style-type: none"> —Short-circuit in the supply voltage lead to the motor holding brake —Faulty motor holding brake 	<ul style="list-style-type: none"> —Remove the short-circuit —Replace motor
Error message: output stage fault	<ul style="list-style-type: none"> —Motor cable has short-circuit or earth short —Motor has short-circuit or earth short 	<ul style="list-style-type: none"> —Replace motor —Replace motor
Error message: motor temperature	<ul style="list-style-type: none"> —Motor thermosensor has switched —Loose feedback connector or break in feedback cable 	<ul style="list-style-type: none"> —Wait until the motor has cooled down. Investigate why the motor becomes too hot. —Check connector
Brake does not grip	<ul style="list-style-type: none"> —Required holding torque too high —Brake faulty —Motor shaft axially overloaded 	<ul style="list-style-type: none"> —Check the dimensioning —Replace motor —Check the axial load, reduce axial load

1.8 Definition of Terms for Technical Data

NOTE

Technical data for every motor type can be found in chapter "Technical Data" (→ #66).

All data valid for 40°C environmental temperature and 100K temperature rise of the winding. Determination of nominal dates with constant temperature of adapter flange of 65°C. The data can have a tolerance of +/- 10%.

Standstill (continuous) torque M_0 [Nm]

The standstill torque can be maintained indefinitely at a speed $0 < n < 100$ rpm and rated ambient conditions.

Rated torque M_n [Nm]

The rated torque is produced when the motor is drawing the rated current at the rated speed. The rated torque can be produced indefinitely at the rated speed in continuous operation (S1).

Standstill (continuous) current I_{0rms} [A]

The standstill current is the effective sinusoidal current which the motor draws at $0 < n < 100$ rpm to produce the standstill torque.

Peak current (pulse current) I_{0max} [A]

The peak current (effective sinusoidal value) is several times the rated current depending on the motor winding. The actual value is determined by the peak current of the drive which is used.

Torque constant K_{Trms} [Nm/A]

The torque constant defines how much torque in Nm is produced by the motor with 1A rms current. The relationship is $M = I \times K_T$ (up to $I = 2 \times I_0$)

Voltage constant K_{Erms} [mV/min⁻¹]

The voltage constant defines the induced motor EMF, as an effective sinusoidal value between two terminals, per 1000 rpm. Measured at 25°C.

Rotor moment of inertia J [kg.cm²]

The constant J is a measure of the acceleration capability of the motor. For instance, at I_{0rms} the acceleration time t_b from 0 to 3000 rpm is given as:

$$t_b [s] = \frac{3000 \cdot 2\pi}{M_0 \cdot 60s} \cdot \frac{m^2}{10^4 \cdot cm^2} \cdot J \quad \text{with } M_0 \text{ in Nm and } J \text{ in kg.cm}^2$$

Thermal time constant t_{th} [min]

The constant t_{th} defines the time for the cold motor, under a load of I_{0rms} , to heat up to an temperature rise of 0.63×10^5 Kelvin. This temperature rise happens in a much shorter time when the motor is loaded with the peak current.

Release delay time t_{BRH} [ms] / Engage delay time t_{BRL} [ms] of the brake

These constants define the response times of the holding brake when operated with the rated voltage from the servo drive.

U_N [V]

Rated mains voltage

U_n [V]

DC-Bus link voltage.

2 Deutsch

2.1 Allgemeines	34
2.1.1 Über dieses Handbuch	34
2.1.2 Verwendete Symbole	34
2.1.3 Verwendete Abkürzungen	34
2.2 Sicherheit	35
2.2.1 Das sollten Sie beachten	35
2.2.2 Bestimmungsgemäße Verwendung	37
2.2.3 Nicht bestimmungsgemäße Verwendung	38
2.2.4 Europäische Richtlinien und Normen für den Anlagenbauer	38
2.2.5 Handhabung	39
2.3 Produktidentifizierung	41
2.3.1 Lieferumfang	41
2.3.2 Zubehör	41
2.3.3 Typenschild	41
2.3.4 Typenschlüssel	42
2.4 Technische Beschreibung	52
2.4.1 Allgemeine technische Daten	52
2.4.2 Standardausrüstung	52
2.4.3 Hygienisches Design	54
2.5 Mechanische Installation	56
2.5.1 Wichtige Hinweise	56
2.5.2 Flanschmontage, Frontmontage	57
2.5.3 O-Ring Dichtungen	57
2.5.4 Kabelinstallation	58
2.6 Elektrische Installation	59
2.6.1 Wichtige Hinweise	59
2.6.2 Anschluss der Motoren	59
2.6.3 Leitfaden für die elektrische Installation	60
2.7 Inbetriebnahme	61
2.7.1 Wichtige Hinweise	61
2.7.2 Leitfaden für die Inbetriebnahme	62
2.7.3 Beseitigen von Störungen	62
2.8 Begriffsdefinitionen der technischen Daten	63

2.1 Allgemeines








2.1.1 Über dieses Handbuch

Dieses Handbuch beschreibt die Synchron-Servomotoren der Serie AKMH (Advanced Kollmorgen Motor Hygienic). Die Motoren werden im Antriebssystem zusammen mit den Servoverstärkern betrieben. Beachten Sie daher die gesamte Dokumentation des Systems:

- Betriebsanleitung des Servoverstärkers
- Handbuch Bus-Kommunikation (z.B. EtherCAT)
- Online Hilfe der Inbetriebnahmesoftware des Servoverstärkers
- Regionales Zubehörhandbuch
- Betriebsanleitung Motorserie AKMH (dieses Handbuch)

Weitere Hintergrundinformationen finden Sie im "Produkt-WIKI", (www.wiki-kollmorgen.eu).

2.1.2 Verwendete Symbole

Symbol	Bedeutung
 GEFAHR	Weist auf eine gefährliche Situation hin, die, wenn sie nicht vermieden wird, zum Tode oder zu schweren, irreversiblen Verletzungen führen wird.
 WARNUNG	Weist auf eine gefährliche Situation hin, die, wenn sie nicht vermieden wird, zum Tode oder zu schweren, irreversiblen Verletzungen führen kann.
 VORSICHT	Weist auf eine gefährliche Situation hin, die, wenn sie nicht vermieden wird, zu leichten Verletzungen führen kann.
HINWEIS	Dies ist kein Sicherheits-Symbol. Dieses Symbol weist auf eine Situation hin, die, wenn sie nicht vermieden wird, zu Beschädigung von Sachen führen kann.
INFO	Dies ist kein Sicherheits-Symbol. Dieses Symbol weist auf wichtige Informationen hin.
	Warnung vor einer Gefahr (allgemein). Die Art der Gefahr wird durch den nebenstehenden Wartext spezifiziert.
	Warnung vor gefährlicher elektrischer Spannung und deren Wirkung.
	Warnung vor heißer Oberfläche.
	Warnung vor hängender Last.

2.1.3 Verwendete Abkürzungen

Verwendete Kürzel für technische Daten siehe Kapitel "Begriffsdefinitionen" (→ # 63).

INFO

Die Symbolik (→ # 29) bedeutet in diesem Dokument : "siehe Seite 29".

2.2 Sicherheit

Dieses Kapitel hilft Ihnen, Gefahren zu erkennen und zu vermeiden.

2.2.1 Das sollten Sie beachten

Dokumentation lesen!

Lesen Sie vor der Montage und Inbetriebnahme die vorliegende Dokumentation. Falsches Handhaben des Motors kann zu Personen- oder Sachschäden führen. Der Betreiber muss daher sicherstellen, dass alle mit Arbeiten am Motor betrauten Personen das Handbuch gelesen und verstanden haben und dass die Sicherheitshinweise in diesem Handbuch beachtet werden.

Technische Daten beachten!

Halten Sie die technischen Daten und die Angaben zu den Anschlussbedingungen (Typenschild und Dokumentation) ein. Wenn zulässige Spannungswerte oder Stromwerte überschritten werden, können die Motoren z.B. durch Überhitzung geschädigt werden.

Risikobeurteilung erstellen!

Der Maschinenhersteller muss eine Risikobeurteilung für die Maschine erstellen und geeignete Maßnahmen treffen, dass unvorhergesehene Bewegungen nicht zu Schäden an Personen oder Sachen führen können. Aus der Risikobeurteilung leiten sich eventuell auch zusätzliche Anforderungen an das Fachpersonal ab.

Fachpersonal erforderlich!

Nur qualifiziertes Fachpersonal darf Arbeiten wie Transport, Montage, Inbetriebnahme und Instandhaltung ausführen. Qualifiziertes Fachpersonal sind Personen, die mit Transport, Aufstellung, Montage, Inbetriebnahme und Betrieb von Motoren vertraut sind und über die ihrer Tätigkeit entsprechenden Mindestqualifikationen verfügen:

- Transport: nur durch Personal mit Kenntnissen in der Behandlung elektrostatisch gefährdeter Bauelemente
- Hygiene: nur durch Fachleute mit Kenntnissen der für den Anwendungsbereich gültigen Hygienevorschriften.
- Mech. Installation: nur durch Fachleute mit maschinenbautechnischer Ausbildung.
- Elektr. Installation: nur durch Fachleute mit elektrotechnischer Ausbildung.
- Inbetriebnahme: nur durch Fachleute mit weitreichenden Kenntnissen in den Bereichen Elektrotechnik / Antriebstechnik

Das Fachpersonal muss ebenfalls IEC 60364 / IEC 60664 und nationale Unfallverhütungsvorschriften kennen und beachten.

Passfeder sichern!



Entfernen oder sichern Sie eine eventuell vorhandene Wellen-Passfeder, falls der Motor ohne angekoppelte Last laufen soll, um ein Wegschleudern der Passfeder und die damit verbundene Verletzungsgefahr zu vermeiden.

Ungleiche Metalle vermeiden!



Das Motorgehäuse besteht aus Edelstahl. Vermeiden direkten Kontakt des Motors an aktivere Metalle wie Aluminium oder Stahl, um galvanische Korrosion zu verhindern. Galvanische Korrosion kann zur Kontaminierung des Produkts, Zerstörung der Motorbefestigung und Ausfall des Motors führen. Eine zerstörte Motorbefestigung könnte zu Stromschlaggefahr durch Abriss der elektrischen Anschlüsse oder der Motorleitung führen.



Heiße Oberfläche!

Während des Betriebes können Motoren ihrer Schutzart entsprechend heiße Oberflächen besitzen. Leichte Verbrennungsgefahr! Die Oberflächentemperatur kann 100°C überschreiten. Messen Sie die Temperatur und warten Sie, bis der Motor auf 40°C abgekühlt ist, bevor Sie ihn berühren.



Erdung! Hohe Spannungen!

Stellen Sie die ordnungsgemäße Erdung des Motors mit der PE-Schiene im Schaltschrank als Bezugspotential sicher. Ohne niederohmige Erdung ist keine personelle Sicherheit gewährleistet und es besteht Lebensgefahr durch elektrischen Schlag.

Das Fehlen von optische Anzeigen gewährleisten nicht die Spannungsfreiheit. Leistungsanschlüsse können Spannung führen, auch wenn sich der Motor nicht dreht.

Ziehen Sie keine Stecker während des Betriebs. Es besteht die Gefahr von Tod oder schweren gesundheitlichen Schäden beim Berühren freiliegender Kontakte. In ungünstigen Fällen können Lichtbögen entstehen und Personen und Kontakte schädigen.

Warten Sie nach dem Trennen der Servoverstärker von den Versorgungsspannungen mehrere Minuten, bevor Sie spannungsführende Teile (z.B. Kontakte, Gewindebolzen) berühren oder Anschlüsse lösen.

Kondensatoren im Servoverstärker führen mehrere Minuten nach Abschalten der Versorgungsspannungen gefährliche Spannungen. Messen Sie zur Sicherheit die Spannung im Zwischenkreis und warten Sie, bis die Spannung unter 60V abgesunken ist.



Hängende Lasten sichern!

Eingebaute Haltebremsen sind nicht funktional sicher. Insbesondere bei hängender Last (Vertikalachsen) kann die funktionale Sicherheit nur mit einer zusätzlichen, externen mechanischen Bremse erreicht werden.



Chemische Verträglichkeit der Motorleitungen bewerten!

Bewerten Sie vor dem Langzeiteinsatz die Verträglichkeit der verwendeten Reinigungsmittel mit dem Motorkabel. Langfristige Exposition des Motorkabels mit unverträglichen Chemikalien kann zur Kontaminierung des Produkts, Ausfall des Motors und Stromschlaggefahr durch freiliegende stromführende Teile des Motorkabels führen.



Chemische Verträglichkeit des optionalen Kabelschlauchs bewerten!

Der optionale Silikonschlauch schützt die Kabel und elektrische Schnittstellen gegenüber Reinigungslösungen und verhindert Emissionen aus dem Mantel des Motorkabels. Bewerten Sie vor dem Langzeiteinsatz die Verträglichkeit der verwendeten Reinigungsmittel mit dem Silikonschlauch. Setzen Sie den Silikonschlauch keinen starken Mineralsäuren aus. Langfristige Exposition der Silikonschlauch mit unverträglichen Chemikalien kann zur Kontaminierung des Produkts, Ausfall des Motors und Stromschlaggefahr durch freiliegende stromführende Teile des Motorkabels führen.



Vermeiden Sie Kratzer!

Um die Erfüllung der hygienischen Anforderungen sicherzustellen, bitte prüfen Sie den Motor und das Kabel vor der Montage auf Kratzer. In den Kratzern können die Schmutznester mit gefährlicher Keimbildung entstehen. Die versteckte pathogene Keime in Kratzern können zur Kontaminierung der hergestellten Produkten führen.

2.2.2 Bestimmungsgemäße Verwendung

- Synchron-Servomotoren der Serie AKMH sind insbesondere als Antrieb für Maschinen in den Bereichen Nahrungsmittel, Kosmetik, Pharmazie, Medizin und ähnliche mit hohen Ansprüchen an die Hygiene und Dynamik konzipiert.
- Der Betrieb von AKMH Motoren ist in Applikationen mit indirektem Kontakt zu Lebensmitteln erlaubt. In diesen Anwendungen muss das Motorkabel im Silikonschlauch geschützt werden (siehe Anschlussoptionen, (→ # 47)).
- Sie dürfen die Motoren nur unter Berücksichtigung der in dieser Dokumentation definierten Umgebungsbedingungen betreiben.
- Der Betrieb von AKMH Motoren ist in Umgebungen mit Reinigungsmitteln unter Berücksichtigung der im Kapitel Hygienisches Design (→ # 54) definierten Bedingungen erlaubt.
- Die Motoren der Serie AKMH sind ausschließlich dazu bestimmt, von Kollmorgen Servoverstärkern drehzahl- und/oder drehmomentgeregelt angesteuert zu werden.
- Die Motoren werden als Bauteile in elektrische Anlagen oder Maschinen eingebaut und dürfen nur als integrierte Bauteile der Anlage in Betrieb genommen werden.
- Der in die Motorwicklungen eingebaute Thermoschutzsensor muss ausgewertet und überwacht werden.
- Eingebaute Haltebremsen sind als Stillstandsbremsen ausgelegt und für dauernde, betriebsmäßige Abbremsvorgänge ungeeignet.
- Die Konformität des Servosystems zu den in der EG-Konformitätserklärung (→ # 91) genannten Normen garantieren wir nur, wenn von uns gelieferte Komponenten (Servoverstärker, Motor, Leitungen usw.) verwendet werden.

EHEDG Anwendungen

- Halten Sie die zulässige Einbaulagen abhängig vom Flanschtyp (B5, B14, V18 nach DIN EN 60034-7) bei der Montage ein (→ # 56).
- Der Motor sollte derart montiert werden, dass das Motorkabel zur Seite oder nach unten aus dem Motor austritt. Das Kabel sollte in einem Bogen verlegt werden, damit Reinigungsflüssigkeit abtropfen kann.
- Zur Abdichtung des Montageflansches muss der O-Ring benutzt werden.
- Verwenden Sie Dichtungsschrauben (Befestigungsset) für die Motorbefestigung.
- Schließen Sie die Zentrierbohrung in der Welle mit einer Dichtungsschraube (Befestigungsset), wenn das Wellende freiliegt.
- Vermeiden Sie direkten Kontakt von Metall auf Metall bei Montage und Anschluss.

2.2.3 Nicht bestimmungsgemäße Verwendung

- Der Betrieb von standard AKMH Motoren direkt am Netz ist verboten.
- AKMH Motoren dürfen nicht in Applikationen mit dauerndem, direkten Kontakt mit Lebensmitteln eingesetzt werden.
- Standard AKMH Kabel sind nicht ausreichend für die Installation im indirekten Kontakt mit Lebensmitteln. Beim Einsatz in diesen Applikation muss das Motorkabel im Silikonschlauch geschützt werden (siehe Anschluss Optionen).
- Der Betrieb von standard AKMH Motoren in explosionsgefährdeten Bereichen ist verboten.
- AKMH Motoren dürfen nicht in Reinraum Anwendungen eingesetzt werden.
- AKMH Motoren dürfen nicht mit nach oben weisender Welle montiert werden. Dies vermeidet die Ansammlung von Schmutz und Flüssigkeiten im Wellendichtbereich.
- Der bestimmungsgemäße Betrieb des Motors ist untersagt, wenn die Maschine, in die er eingebaut wurde,
 - nicht den Bestimmungen der EG Maschinenrichtlinie entspricht,
 - nicht die Bestimmung der EMV-Richtlinie erfüllt,
 - nicht die Bestimmung der Niederspannungs-Richtlinie erfüllt.
- Eingebaute Haltebremsen alleine dürfen nicht für die Sicherstellung der funktionalen Sicherheit benutzt werden.

2.2.4 Europäische Richtlinien und Normen für den Anlagenbauer

AKMH Motoren sind Bauteile, die zum Einbau in elektrische Anlagen oder Maschinen im Industriebereich bestimmt sind. Bei Einbau in Maschinen oder Anlagen ist die Aufnahme des bestimmungsgemäßen Betriebes solange untersagt, bis festgestellt wurde, dass die Maschine oder Anlage den Bestimmungen der

- EG-Maschinenrichtlinie (2006/42/EG) und
- EG-EMV-Richtlinie (2014/30/EU) und
- EG-Niederspannungsrichtlinie (2014/35/EU) entspricht.

Normen zur Einhaltung der EG-Maschinenrichtlinie (2006/42/EG)

- DIN EN 60204-1 (Sicherheit und elektrische Ausrüstung von Maschinen)
- DIN EN ISO 14159 (Sicherheit von Maschinen - Hygieneanforderungen an die Gestaltung von Maschinen)
- DIN EN 1672-2 (Nahrungsmittelmaschinen - Hygieneanforderungen)

INFO

Kollmorgen AKMH Motoren halten die Anforderungen dieser Normen ein.

Der Maschinen- / Anlagenhersteller muss prüfen, ob bei seiner Maschine/ Anlage noch weitere als die hier genannten Normen oder Richtlinien anzuwenden sind.

Normen zur Einhaltung der EG-Niederspannungsrichtlinie (2014/35/EU)

- EN 60204-1 (Sicherheit und elektrische Ausrüstung von Maschinen)
- EN 60439-1 (Niederspannungs-Schaltgerätekombinationen)

Normen zur Einhaltung der EG-EMV-Richtlinie (2014/30/EU)

- EN 61000-6-1 / 2 (Störfestigkeit im Wohn- oder Industriebereich)
- EN 61000-6-3 / 4 (Störaussendung im Wohn- oder Industriebereich)

Die Einhaltung der durch die EMV-Gesetzgebung geforderten Grenzwerte der Anlage oder Maschine liegt in der Verantwortung des Herstellers der Anlage oder Maschine.

2.2.5 Handhabung

Transport

- Klimaklasse 2K3 nach EN61800-2, IEC 60721-3-2
- Temperatur: -25..+70°C, max. 20K/Stunde schwankend
Luftfeuchtigkeit: relative Feuchte 5% ... 95% nicht kondensierend
- Nur von qualifiziertem Personal in der Original-Verpackung des Herstellers
- Vermeiden Sie harte Stöße, insbesondere auf das Wellenende
- Überprüfen Sie bei beschädigter Verpackung den Motor auf sichtbare Schäden.
Informieren Sie den Transporteur und gegebenenfalls den Hersteller.



VORSICHT

Heben Sie den Motor nicht am Kabel hoch! Die Kabeldurchführung kann sich lösen oder undicht werden, wenn das Kabel das Gewicht des Motors tragen muss. Dies kann zum Ausfall des Motors oder zum Stromschlag führen.

Verpackung

- Kartonverpackung mit Instapak®-Ausschäumung. Das Recycling des Schaumes ist an speziellen Sondernüllsammelstellen möglich.
- Den Kunststoffanteil können Sie an den Lieferanten zurückgeben

Motortyp	Verpackung	max. Stapelhöhe	Motortyp	Verpackung	max. Stapelhöhe
AKMH2	Karton	7	AKMH5	Karton/Holzkiste	6
AKMH3	Karton	6	AKMH6	Holzkiste	6
AKMH4	Karton	6			

NOTE

Verpackungen horizontal stapeln (Motorwelle zur Seite, nicht nach oben/unten).

Lagerung

- Klimaklasse 1K4 nach EN61800-2, IEC 60721-3-2
- Lagertemperatur -25...+55°C, max. 20K/Stunde schwankend
- Luftfeuchtigkeit relative Feuchte 5% ... 95% nicht kondensierend
- Nur in der Originalverpackung des Herstellers lagern
- Max. Stapelhöhe: siehe Tabelle in Kapitel "Verpackung"
- Lagerdauer: ohne Einschränkung

Wartung

- Wartung und Reinigung nur von qualifiziertem Personal
- Bei normalem Betrieb ist der AKMH Motor nahezu wartungsfrei. Einige Komponenten sollten jedoch regelmäßig überprüft werden.
 - Jährlich: prüfen auf korrekten Sitz des Wellendichtrings, sichtbare Abnutzung und Beschädigungen, die die Funktion beeinträchtigen könnten. Bei Beschädigungen oder nach 2 Betriebsjahren den Wellendichtring austauschen.
 - Jährlich: Kabel und Schlauchmaterial (sofern verwendet) auf Beschädigungen prüfen. Bei Schnitten oder Beschädigungen austauschen (vom Hersteller).
 - Jährlich: prüfen auf korrekten Sitz der O-Ringe, sichtbare Abnutzung und Beschädigungen, die die Funktion beeinträchtigen könnten. Bei Beschädigungen die O-Ringe (Flanschdichtung, Dichtung Abschlusskappe) austauschen. Wenn der O-Ring zwischen Flansch und Motorgehäuse beschädigt ist, muss der Motor ersetzt werden.
 - Jährlich bzw. alle 2500 Betriebsstunden: auf Kugellagergeräusche prüfen. Wenn Sie unübliche Geräusche feststellen, darf der Motor nicht weiterbetrieben werden - die Lager müssen erneuert werden (vom Hersteller).
 - Nach 20.000 Betriebsstunden unter Nennbedingungen: Erneuern der Kugellager (Motor an Hersteller schicken).
- Öffnen der Motoren bedeutet den Verlust der Gewährleistung.

Reinigung

- Reinigung nur durch Fachpersonal.
- Reinigung nur bei freigeschaltetem (spannungsfrei) Antrieb.
- Beachten Sie die Grenzen des IP69K Standards für Druck, Temperatur, Winkel und Abstand des Reinigungsmittelstrahls.
- Beachten Sie die Vorgaben für die chemische Verträglichkeit.
- Verwenden Sie keine Drahtbürsten oder Schaber zur Reinigung der Motoroberfläche und der Kabel. Entfernen Sie Schmutz durch Abspritzen (IP69K Grenzen einhalten) oder Abwischen.

Reparatur, Entsorgung

Reparaturen des Motors darf nur der Hersteller durchführen, Öffnen der Geräte bedeutet Verlust der Gewährleistung. Gemäß der WEEE-2012/19/EU-Richtlinien nehmen wir Altgeräte und Zubehör zur fachgerechten Entsorgung zurück, sofern die Transportkosten vom Absender übernommen werden. Schicken Sie den Motor zur Reparatur bzw.

Entsorgung an:

KOLLMORGEN Europe GmbH
 Pempelfurtstr. 1
 D-40880 Ratingen

2.3 Produktidentifizierung

2.3.1 Lieferumfang

Sie erhalten einen Karton mit Instapak[®]-Ausschäumung. Enthalten ist:

- Motor der Serie AKMH
- Produkthandbuch gedruckt, einmal pro Lieferung.
- O-Ring für die Flanschabdichtung.

2.3.2 Zubehör

IEC Befestigungsset mit Schrauben zur Flanschbefestigung und Abdichtung der Wellenbohrung.

Bestellnummer	Beschreibung
MTG-KIT-AKMH2-IEC	Befestigungsset AKMH2, Ax Flanschmontage / Cx Frontmontage
MTG-KIT-AKMH3-IEC	Befestigungsset AKMH3, Ax Flanschmontage / Cx Frontmontage
MTG-KIT-AKMH4-IEC	Befestigungsset AKMH4, Ax Flanschmontage / Cx Frontmontage
MTG-KIT-AKMH5-IEC	Befestigungsset AKMH5, Ax Flanschmontage / Cx Frontmontage
MTG-KIT-AKMH6-IEC	Befestigungsset AKMH6, Ax Flanschmontage / Cx Frontmontage

NEMA Befestigungssets sind im amerikanischen Selection Guide beschrieben (verfügbar auf der Kollmorgen Website www.kollmorgen.com).

2.3.3 Typenschild

Bei AKMH Motoren ist das Typenschild seitlich in das Gehäuse gelasert.

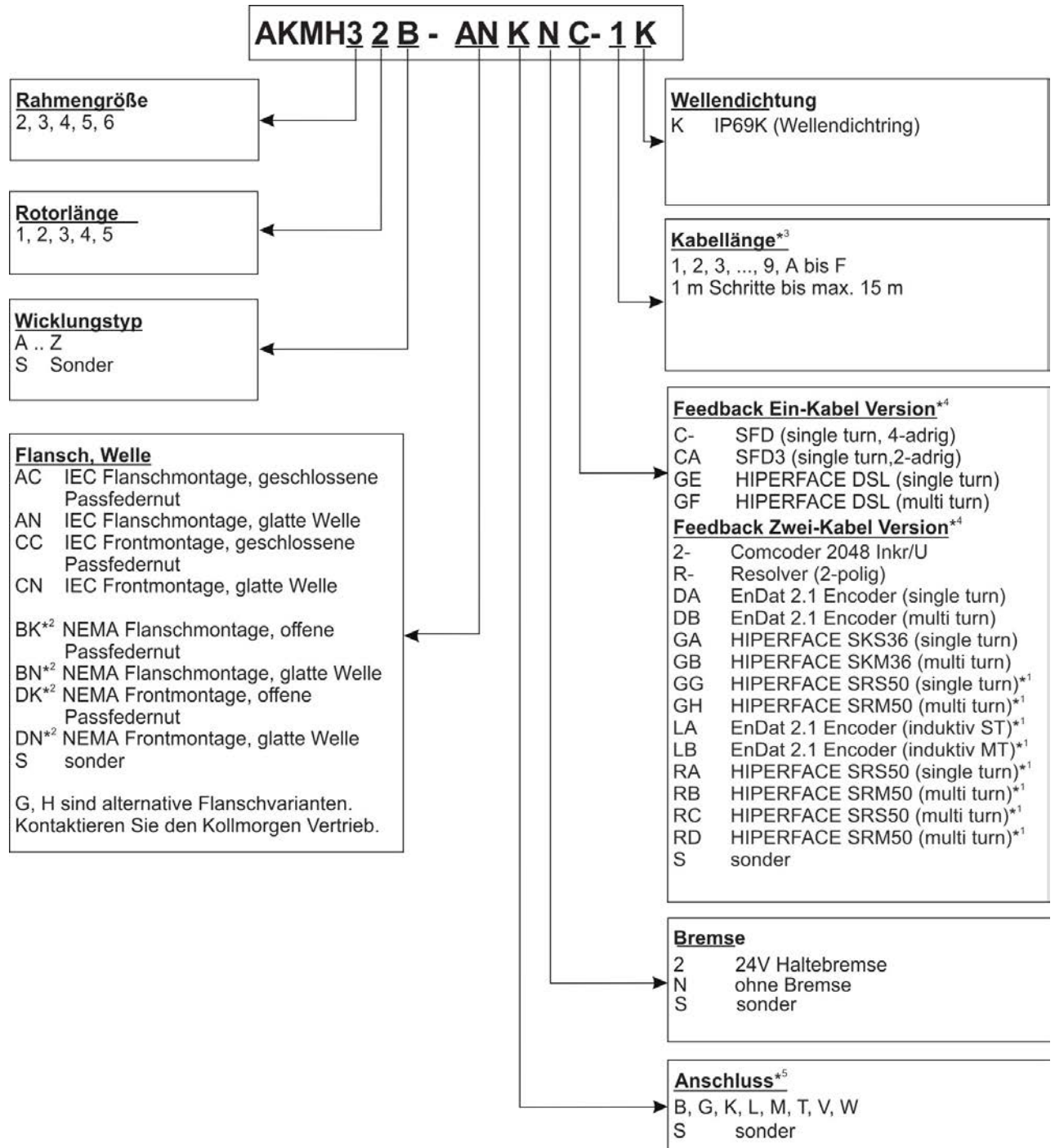


Legende:

MODEL	Typenbezeichnung
Ics I _{0rms}	Stillstandsstrom
Tcs M ₀	Stillstandsdrehmoment
Vs U _N	Netzspannung
Nrtd nn	Nennzahl bei U _N
Prtd Pn	Nennleistung
Rm R25	Wicklungswiderstand bei 25°
SERIAL	Seriennummer
AMBIENT	zulässige maximale Umgebungstemp.

Das Baujahr des Motors ist in der Seriennummer kodiert: die ersten beiden Ziffern der Seriennummer bezeichnen das Jahr, z.B. bedeutet "13" 2013.

2.3.4 Typenschlüssel



*1 = in Entwicklung

*2 = NEMA Flanschtypen sind im amerikanischen Selection Guide beschrieben (verfügbar auf der Kollmorgen Website www.kollmorgen.com).

*3 = weitere Informationen (→ # 45).

*4 = weitere Informationen (→ # 46).

*5 = weitere Informationen (→ # 47).

2.3.4.1 Rahmengröße, Flansch und Wellenoptionen

Maßzeichnungen finden Sie in Kapitel "Dimension Drawings" (→ # 74).

Rahmen- größe	Flansch- typ	Flansch ∅	Zentrierung ∅	Welle ∅	Genauig- keit Zen- trierung ¹⁾	Genauig- keit Welle ²⁾	Toleranz- klasse Zen- trierung ³⁾
2	A, C	79 mm	40 mm	11 mm	j6	k6	N
2	G, H	in Entwicklung					
3	A, C	89 mm	60 mm	14 mm	j6	k6	N
3	G, H	in Entwicklung					
4	A, C	114 mm	80 mm	19 mm	j6	k6	N
4	G, H	in Entwicklung					
5	A, C	148 mm	110 mm	24 mm	j6	k6	N
5	G, H	132 mm	95 mm	24 mm	j6	k6	N
6	A, C	186 mm	130 mm	32 mm	j6	k6	N
6	G, H	in Entwicklung					

1) gem. EN 60034-7 2) gem. EN 42955 3) gem. EN 50347

Montage/Welle Verfügbarkeit

Motor	Montage/Welle							
	AC	AN	CC	CN	GC	GN	HC	HN
AKMH2	x	x	x	x				
AKMH3	x	x	x	x				
AKMH4	x	x	x	x				
AKMH5	x	x	x	x	x	x	x	x
AKMH6	x	x	x	x				

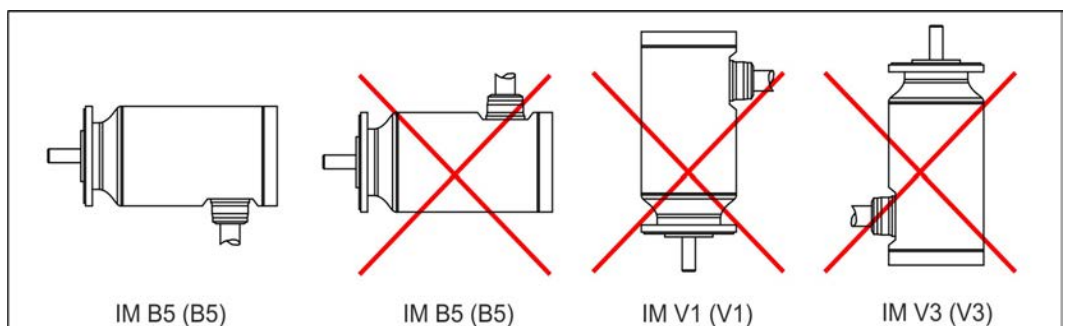
Flanschmontage (Flanschtypen Ax, Bx):

Die Grundbauform für Flanschmontage ist die Bauform IM B5 nach DIN EN 60034-7.

Legen Sie zur Abdichtung den O-Ring in die Flanschnut ein.

Befestigungsarten IM V1, IM V3 und IM B5 mit Kabelabgang nach oben sind in

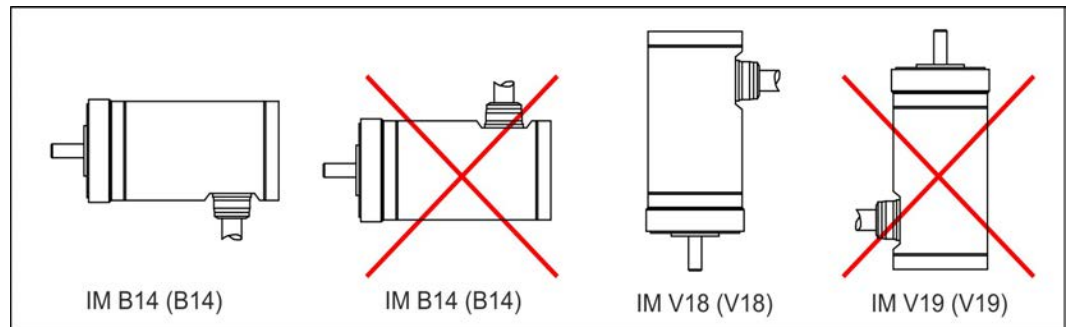
hygienischen Anwendungen nicht erlaubt. Montieren Sie den Motor mit dem Kabelabgang nach unten, um den Abfluss des Reinigungsmittels zu ermöglichen.



Frontmontage (Flanschtypen Cx, Dx):

Die Grundbauform für Frontmontage ist die Bauform IM B14 nach DIN EN 60034-7. Legen Sie zur Abdichtung den O-Ring in die Flanschnut ein.

Befestigungsarten IM V1, IM V3 und IM B5 mit Kabelabgang nach oben sind in hygienischen Anwendungen nicht erlaubt. Montieren Sie den Motor mit dem Kabelabgang nach unten, um den Abfluss des Reinigungsmittels zu ermöglichen. Falls notwendig, fügen Sie zu dem Kabel eine Zugentlastung.

**Welle**

Die Kraftübertragung erfolgt über das zylindrische Wellenende mit Anzugsgewinde.

Kode	Beschreibung	Bemerkungen
C	Geschlossene Passfedernut	Passfedernut gemäß DIN 748, Passfeder gemäß DIN 6885 T1 Form A. Material der Passfeder: rostfreier Stahl 1.4404 Zentrierbohrung mit Gewinde Material der Welle: rostfreier Stahl 1.4404
N	Glatte Welle	Zentrierbohrung mit Gewinde Material der Welle: rostfreier Stahl 1.4404

2.3.4.2 Wellendichtung

Anwendungen z.B. im Lebensmittelbereich und der pharmazeutischen Industrie stellen hohe Anforderungen an die Hygiene und somit auch an die Schutzklasse. AKMH Motoren sind vorbereitet für die Schutzklasse IP69K. Die mechanischen und elektrischen Schnittstellen des Motors sind die kritischen Bereiche für diese Anforderungen.

Die mechanische Schnittstelle (Flansch und Welle) wird meist an ein Getriebe oder an einen Maschinenflansch angeschlossen. Die Flanschabdichtung wird dabei mit einem FDA geprüften O-Ring sichergestellt.

Wenn der AKMH an einen Maschinenflansch mit ungeschütztem Wellenbereich gekoppelt werden soll, stellt der Wellendichtring die IP69K-gemäße Abdichtung sicher. Der Wellendichtring ist ein FDA zugelassener, einlippiger, mineralisierter Teflon Ring.

Wellendichtung	Flanschdichtung	Schutzart
K	O-Ring	IP69K

2.3.4.3 Run-In Prozess für die Wellendichtung

Zum Erreichen der Nenndaten des AKMH Motors muss die Wellendichtung einem Run-In Prozess unterzogen werden. Führen Sie die folgenden Schritte durch:

- 30 Minuten ohne Last bei maximaler Geschwindigkeit im Rechtslauf drehen lassen.
- 30 Minutes Abkühlphase.
- 30 Minuten ohne Last bei maximaler Geschwindigkeit im Linkslauf drehen lassen.
- 30 Minutes Abkühlphase.
- Diesen Zyklus dreimal wiederholen.

2.3.4.4 Rotorlänge Optionen

Die Rotorlänge ist ein Faktor für die Gesamt-Motorlänge. Die Rotorlänge hängt von der verwendeten Magnetgröße ab. Kollmorgen definiert die Länge mit einer einstelligen Nummern (1 bis 5) von kurz nach lang. Innerhalb jeder Rotorlänge sind zahlreiche Wicklungsvarianten definiert. Maßzeichnungen finden Sie im Kapitel "Dimension Drawings" (→ # 74).

2.3.4.5 Wicklungstyp Optionen

Kollmorgen definiert die Wicklung mit einem einzelnen Buchstaben (A bis Z) von niedrigem zu hohem Strom. Technische Daten der Wicklungen finden Sie im Kapitel Technische Daten (→ # 66).

2.3.4.6 Kabellänge Optionen

Aufgrund der Anforderungen für hygienische Anwendungen ist es vorteilhaft, einen festmontierten Kabelabgang zu haben. Die Kabelversion muss mit der festgelegten Kabellänge bestellt werden.

Kollmorgen bietet Kabel in 1m Schritten an. Die kleinste Länge ist 1m, maximal dürfen die Kabel 15m lang sein. Die Kodierung ist hexadezimal (1, 2, 3, ..., 9, A bis F).

NOTE

Das Motor Gesamtgewicht hängt ab vom Motortyp und von der Kabellänge. Je 1m Kabel erhöht sich dieser Wert um 0.32kg. Das Gewicht Ihres Motortyps finden Sie in den technischen Daten. (→ # 66)

Kabellänge Optionen			
Modellnummer Beschreibung	Länge (m)	Modellnummer Beschreibung	Länge (m)
1	1	9	9
2	2	A	10
3	3	B	11
4	4	C	12
5	5	D	13
6	6	E	14
7	7	F	15
8	8		

2.3.4.7 Feedback Optionen

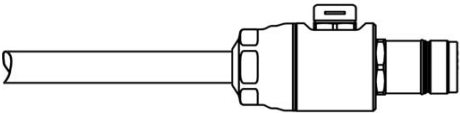
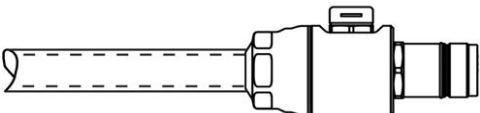
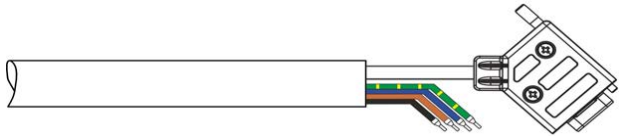
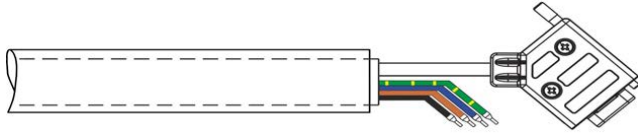
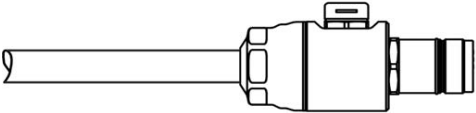
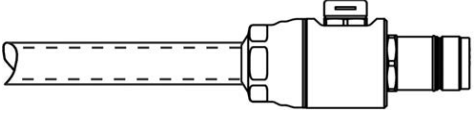
Ein nachträglicher Einbau ist nicht möglich.

Kod-e	Beschreibung	Modell	Bemerkungen	Modellnumm-er Ein-Kabel	Modellnumm-er Zwei-Kabel	Bremse möglich
2-	Comcoder	EPC260	2048 Inkr/Umdr	-	B,G,L,M,V,W	Ja
C-	SFD, Smart Feedback Device	Size 15	Single-tum, 4 adrig	B,G,K,T,V,W	-	Nein
CA	SFD3, Smart Feedback Device 3	Size 15	Single-tum, 2 adrig	B,G,K,T,V,W	-	Ja
DA	EnDat absolute Encoder	ECN1113	AKMH2-4 Single Turn, optisch	-	B,G,L,M,V,W	Ja
		ECN1313	AKMH5-6 Single Turn, optisch			
DB	EnDat absolute Encoder	ECN1125	AKMH2-4 Multi Turn, optisch	-	B,G,L,M,V,W	Ja
		ECN1325	AKMH5-6 Multi Turn, optisch			
GA	HIPERFACE Encoder	SKS36	Single Turn, optisch	-	B,G,L,M,V,W	Ja
GB	HIPERFACE Encoder	SKM36	Multi Turn, optisch	-	B,G,L,M,V,W	Ja
GE	HIPERFACE DSL absolute Encoder	EKS36	Single Turn, optical	B,G,L,M,V,W	-	Ja
GF	HIPERFACE DSL absolute Encoder	EKM36	Multi Turn, optisch	B,G,L,M,V,W	-	Ja
GG*	HIPERFACE Encoder	SRS50-K21	AKMH4-6 Single Turn, optisch, 7-12V, für AKD programmiert	-	B,G,L,M,V,W	Ja
GH*	HIPERFACE Encoder	SRM50-K21	AKMH4-6 Multi Turn, optisch, 7-12V, für AKD programmiert	-	B,G,L,M,V,W	Ja
LA*	EnDat absolute Encoder	ECI1118	AKMH2-4 Single Turn, induktiv	-	B,G,L,M,V,W	Ja
		ECI1319	AKMH5-6 Single Turn, induktiv			
LB*	EnDat absolute Encoder	EQI1130	AKMH2-4 Multi Turn, induktiv	-	B,G,L,M,V,W	Ja
		EQI1331	AKMH5-6 Multi Turn, induktiv			
R-	Resolver	Size 15	2 polig, Hohlwelle	-	B,G,L,M,V,W	Ja
RA*	HIPERFACE Encoder	SRS50-S21	AKMH4-6 Single Turn, optisch, 5V, für Rockwell programmiert	-	L,M,R	Ja
RB*	HIPERFACE Encoder	SRM50-S21	AKMH4-6 Multi Turn, optisch, 5V, für Rockwell programmiert	-	L,M,R	Ja
RC*	HIPERFACE Encoder	SRS50-K21	AKMH4-6 Single Turn, optisch, 7-12V, für Rockwell programmiert	-	L,M,R	Ja
RD*	HIPERFACE Encoder	SRM50-K21	AKMH4-6 Multi Turn, optisch, 7-12V, für Rockwell programmiert	-	L,M,R	Ja

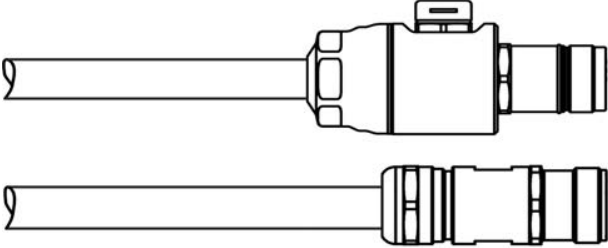
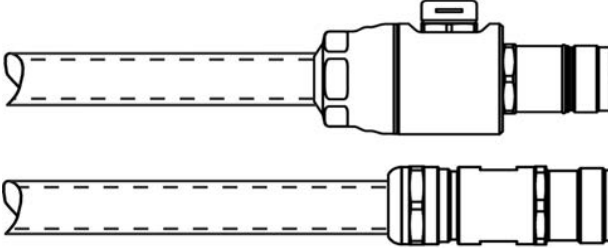
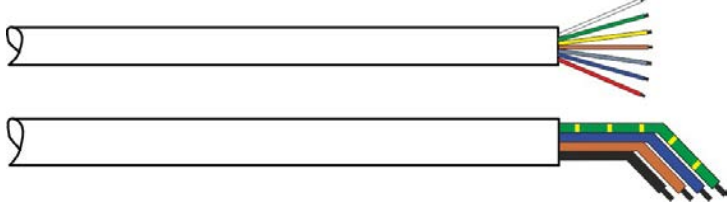
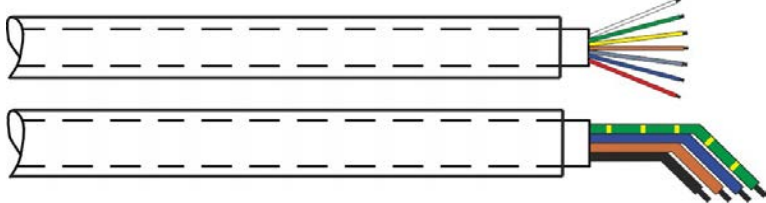
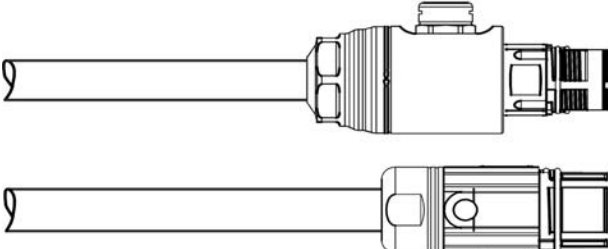
* = in Entwicklung

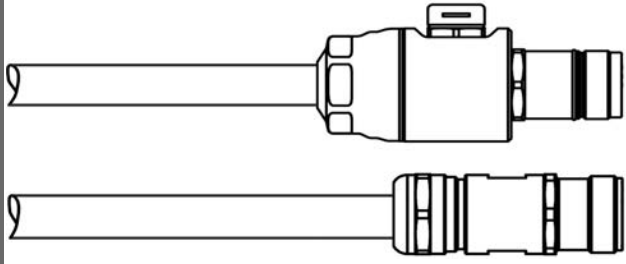
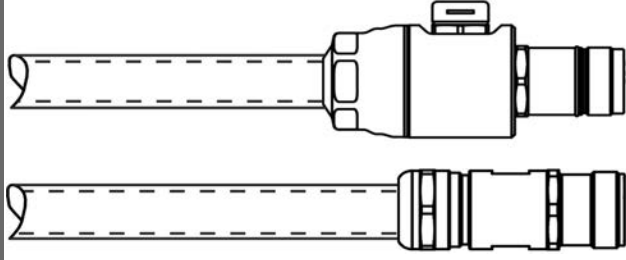
2.3.4.8 Anschluss Optionen

Das Hybridkabel beinhaltet Leistungs- und Feedbackadern in einem Kabel.

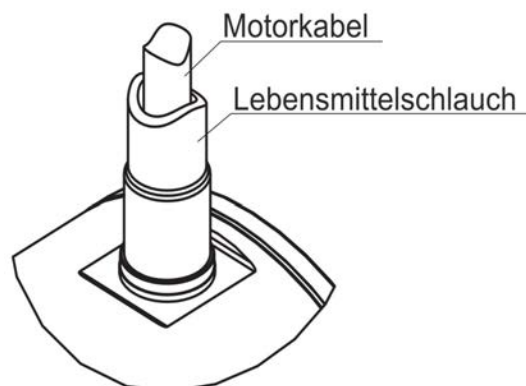
Die Ein-Kabel Optionen Feedback: C-, CA, GE, GF	
Kode	Beschreibung
B	<p>Das Hybridkabel mit belüftetem Standardstecker mit Luftdruckausgleich. Der belüftete Stecker ist in hygienischen Anwendungen nicht anwendbar. Die Schutzklasse ist IP67.</p> 
G	<p>Das Hybridkabel mit belüftetem Standardstecker mit Luftdruckausgleich überzogen mit einem für die Lebensmittelindustrie geeigneten Schlauch. Der belüftete Stecker ist in hygienischen Anwendungen nicht anwendbar. Die Schutzklasse ist IP67.</p> 
K	<p>Das Hybridkabel mit dem AKD Anschlussstecker. Das vorgefertigte Kabel für AKD-B/P/T/M. Leistungsadern mit offenen Kabelenden, Gebersignale über AKD-Anschlussstecker. Die Leistungsadern sind mit den Aderendhülsen versehen und für den Anschluss an die AKD vorbereitet (siehe AKD Installationshandbuch).</p> 
T	<p>Das Hybridkabel mit dem AKD Anschlussstecker abgedeckt mit dem für die hygienischen Anwendungen geeigneten Schlauch. Das vorgefertigte Kabel für AKD-B/P/T/M. Leistungsadern mit offenen Kabelenden, Gebersignale über AKD-Anschlussstecker. Die Leistungsadern sind mit den Aderendhülsen versehen und für den Anschluss an die AKD vorbereitet (siehe AKD Installationshandbuch).</p> 
V	<p>Das Hybridkabel mit belüftetem Edelstahlstecker mit Luftdruckausgleich. Der belüftete Stecker ist in hygienischen Anwendungen nicht anwendbar. Die Schutzklasse ist IP69K.</p> 
W	<p>Das Hybridkabel mit belüftetem Edelstahlstecker mit Luftdruckausgleich überzogen mit einem für die Lebensmittelindustrie geeigneten Schlauch. Der belüftete Stecker ist in hygienischen Anwendungen nicht anwendbar. Die Schutzklasse ist IP69K.</p> 

Bei den Zweikabeloptionen sind die Leistungs- und Feedbackadern getrennt ausgeführt.

Die Zwei-Kabel Optionen Feedback: 2-, R-, DA, DB, GA, GB, GG, GH, LA, LB, RA, RB, RC, RD	
Kode	Beschreibung
B	<p>Die Zwei-Kabel Option mit belüftetem Leistungsstecker mit Luftdruckausgleich. Der belüftete Stecker ist in hygienischen Anwendungen nicht anwendbar. Die Schutzklasse für beide Stecker ist IP67.</p> 
G	<p>Die Zwei-Kabel Option mit belüftetem Stecker mit Luftdruckausgleich überzogen mit einem für die Lebensmittelindustrie geeigneten Schlauch. Der belüftete Stecker ist in hygienischen Anwendungen nicht anwendbar. Die Schutzklasse für beide Stecker ist IP67.</p> 
L	<p>Die Zwei-Kabel Option mit offenen Kabelenden. Leistungs- und Feedbackadern mit offenen Kabelenden ohne Aderendhülsen.</p> 
M	<p>Die Zwei-Kabel Option mit offenen Kabelenden, überzogen mit einem für die Lebensmittelindustrie geeigneten Schlauch. Leistungs- und Feedbackadern mit offenen Kabelenden ohne Aderendhülsen.</p> 
R	<p>Die Zwei-Kabel Option mit belüftetem Stecker mit Luftdruckausgleich. Der belüftete Stecker ist in hygienischen Anwendungen nicht anwendbar. Die Schutzklasse für beide Stecker ist IP67.</p> 

Die Zwei-Kabel Optionen Feedback: 2-, R-, DA, DB, GA, GB, GG, GH, LA, LB, RA, RB, RC, RD	
Kode	Beschreibung
V	<p>Die Zwei-Kabel Option mit belüftetem Edelstahlstecker mit Luftdruckausgleich überzogen mit einem für die Lebensmittelindustrie geeigneten Schlauch. Der belüftete Stecker ist in hygienischen Anwendungen nicht anwendbar. Die Schutzklasse für beide Stecker ist IP69K.</p> 
W	<p>Die Zwei-Kabel Option mit belüftetem Edelstahlstecker mit Luftdruckausgleich überzogen mit einem für die Lebensmittelindustrie geeigneten Schlauch. Der belüftete Stecker ist in hygienischen Anwendungen nicht anwendbar. Die Schutzklasse für beide Stecker ist IP69K.</p> 

Je nach den Anforderungen der Anwendung können Sie entweder die Standardkabel oder die Verkabelung mit dem Silikonschlauch wählen. Die Anwendungen, die nicht für die Lebensmittelindustrie bestimmt sind, können mit Standardkabel angeschlossen werden (B, K, L, V, R). Die Lebensmittelanwendungen erfordern eine spezielle Lösung mit einem im Schlauch bedeckten Hybridkabel (G, M, T, W).


NOTICE

Bewerten Sie die Verträglichkeit der verwendeten Reinigungsmittel mit dem Motorkabel bzw. dem Silikonschlauch. Langfristige Exposition der Motorkabels mit unverträglichen Chemikalien kann zur Kontaminierung des Produkts, Ausfall des Motors und eventueller Stromschlaggefahr durch freiliegende stromführende Teile des Motorkabels führen.

Kode	Beschreibung	Querschnitt	Min. Biege- radius	Bemerkungen
B,V	Das Hybridkabel mit belüftetem Edelstahlstecker	(4xAWG14+2xAWG18+2xAWG22) up to 10A, Ø 15.24mm (4xAWG12+2xAWG18+2xAWG22) 10-20A, Ø 16.38mm	150 mm 165 mm	SFD: 4 Leistungsadern, 4 Signal-adern, keine Bremsadern
K	Das Hybridkabel mit der freien Leistungsadern	(4xAWG14+2xAWG18+2xAWG22) up to 10A, Ø 15.24mm (4xAWG12+2xAWG18+2xAWG22) 10-20A, Ø 16.38mm	150 mm 165 mm	DSL/SFD3: 4 Leistungsadern, 2 Signaladern, 2 Bremsadern
G,W	Das Hybridkabel mit belüftetem Edelstahlstecker im Schlauch	(4xAWG14+2xAWG18+2xAWG22) up to 10A, Ø 15.24mm (4xAWG12+2xAWG18+2xAWG22) 10-20A, Ø 16.38mm	255 mm	SFD: 4 Leistungsadern, 4 Signal-adern, keine Bremsadern
T	Das Hybridkabel mit der freien Leistungsadern im Schlauch	(4xAWG14+2xAWG18+2xAWG22) up to 10A, Ø 15.24mm (4xAWG12+2xAWG18+2xAWG22) 10-20A, Ø 16.38mm	255 mm	DSL/SFD3: 4 Leistungsadern, 2 Signaladern, 2 Bremsadern Mit FDA-Silikonschlauch
B,L,V,R	Das Leistungskabel, Zwei-Kabel Version	(4xAWG14) up to 10A, Ø 15.24mm (4xAWG12) 10-20A, Ø 16.38mm	150 mm 165 mm	
	Das Feedback-Kabel, Zwei-Kabel Version	(8x2xAWG24), Ø 11.56mm	115 mm	
G,M,W	Das Leistungskabel, Zwei-Kabel Version im Schlauch	(4xAWG14) up to 10A, Ø 15.24mm (4xAWG12) 10-20A, Ø 16.38mm	255 mm	Mit FDA-Silikonschlauch
	Das Feedback-Kabel, Zwei-Kabel Version im Schlauch	(8x2xAWG24), Ø 11.56mm	255 mm	

Gegenstecker

Kollmorgen empfehlen, diese Gegenstecker zu verwenden.

Die Ein-Kabel Optionen Feedback: C-, CA, GE, GF

Kode	Empfohlene Gegenstecker
B,G,V,W	Hummel Kit 7.554.608.991

Die Zwei-Kabel Optionen Feedback: 2-, R-, DA, DB, GA, GB, GG, GH, LA, LB, RA, RB, RC, RD

Kode	Empfohlene Gegenstecker
B,G,V,W	Leistung & Bremse: Hummel Kit 7.554.608.991 Feedback 12-pin: Hummel Kit 7.241.612.990 Feedback 18-pin: Hummel Kit 7.241.617.990
R	Leistung & Bremse: Intecontec BSTA-082-FR-79-59-0100-000 Feedback: Intecontec ASTA-035-NN-00-61-0235-000

2.3.4.9 Haltebremse

Alle AKMH außer der Feedback-Option SFD "C-" stehen optional mit einer Haltebremse zur Verfügung. Ein nachträglicher Einbau ist nicht möglich. Die Federdruckbremse (24V DC) blockiert im spannungslosen Zustand den Rotor.



Warnung

Wenn bei hängender Last (Vertikalachsen) die Motorhaltebremse gelöst ist und gleichzeitig der Servoantrieb keine Leistung erbringt, kann die Last herunterfallen! Verletzungsgefahr für das Bedienpersonal der Maschine. Die funktionale Sicherheit kann bei vertikalen Achsen nur mit einer zusätzlichen, externen mechanischen Bremse erreicht werden.

HINWEIS

Die Haltebremsen sind als Stillstandsbremsen ausgelegt und für dauernde, betriebsmäßige Abbremsvorgänge ungeeignet. Bei häufiger betriebsmäßiger Abbremsung ist ein vorzeitiger Verschleiß und Ausfall der Haltebremse wahrscheinlich.

INFO

Die Motorlänge vergrößert sich bei eingebauter Haltebremse.

Die Haltebremsen können direkt vom Servoverstärker angesteuert werden (nicht funktional sicher!), dann erfolgt das Löschen der Bremswicklung im Servoverstärker — eine zusätzliche Beschaltung ist nicht erforderlich. Beachten Sie hierzu die Betriebsanleitung des Servoverstärkers. Wird die Haltebremse nicht vom Servoverstärker direkt angesteuert, muss eine zusätzliche Beschaltung (z.B. Varistor) vorgenommen werden. Sprechen Sie hierzu mit unserem Kundendienst.

2.4 Technische Beschreibung

2.4.1 Allgemeine technische Daten

Umgebungstemperatur (bei Nenndaten)	0...+40°C bei Aufstellhöhe bis 1000m über NN Sprechen Sie bei Umgebungstemperaturen über 40°C oder gekapseltem Einbau der Motoren unbedingt mit unserer Applikationsabteilung.
Leistungsreduzierung (Ströme und Momente)	1%/K im Bereich 40°C...50°C bis 1000m über NN Bei Aufstellhöhen über 1000m über NN und 40°C <ul style="list-style-type: none"> • 6% bei 2000m über NN • 17% bei 3000m über NN • 30% bei 4000m über NN • 55% bei 5000m über NN
Motortemperatur	Keine Leistungsreduzierung bei Aufstellhöhen über 1000m über NN und Temperaturreduzierung um 10K / 1000m. Falls die Anwendung die Leistungsreduzierung aufgrund der niedrigeren Motoroberflächentemperatur erfordert, wenden Sie sich bitte an unsere Applikationsabteilung.
Kugellager-Lebensdauer	≥ 20.000 Betriebsstunden

INFO

Technische Daten der Motortypen finden Sie im Kapitel "Technical Data" (→ # 66).

2.4.2 Standardausrüstung

2.4.2.1 Schutzart

Wellendichtung Option	Flanschdichtung	Schutzart
K	O-Ring	IP69K

Die Schutzklasse IP69K wurde definiert für Reinigung mit hohem Druck und hoher Temperatur gemäß DIN 40050-9.

Kode "6" beschreibt die Schutz gegen Berührung,

Kode "9" beschreibt die Schutz gegen Wasser bei Hochdruck- / Dampfstrahlreinigung.

2.4.2.2 Isolierstoffklasse

Die Motoren entsprechen der Isolierstoffklasse F nach IEC 60085 (UL 1446 class F).

2.4.2.3 Oberfläche

Das Motorgehäuse besteht aus rostfreiem Stahl 1.4404.

Die Rauheit der Oberfläche ist < 0,8 µm und entspricht den EHEDG Vorgaben.

2.4.2.4 Wellenende

Die Kraftübertragung erfolgt über das zylindrische Wellenende, Passung k6 nach EN50347 mit Anzugsgewinde. Für die Lebensdauer der Lager sind 20.000 Betriebsstunden zugrunde gelegt.

Radialkraft

Treiben die Motoren über Ritzel oder Zahnriemen an, so treten hohe Radialkräfte auf. Die zugelassenen Werte am Wellenende abhängig von der Drehzahl entnehmen Sie den Diagrammen im Kapitel "Dimension Drawings" (→ # 74). Die zugelassenen Maximalwerte finden Sie in den technischen Daten. Bei Kraftangriff an der Mitte des freien Wellenendes kann F_R 10% größer sein.

Axialkraft

Bei der Montage von Ritzel oder Riemenscheiben auf die Welle und bei Betrieb von z.B. Winkelgetrieben treten Axialkräfte auf.

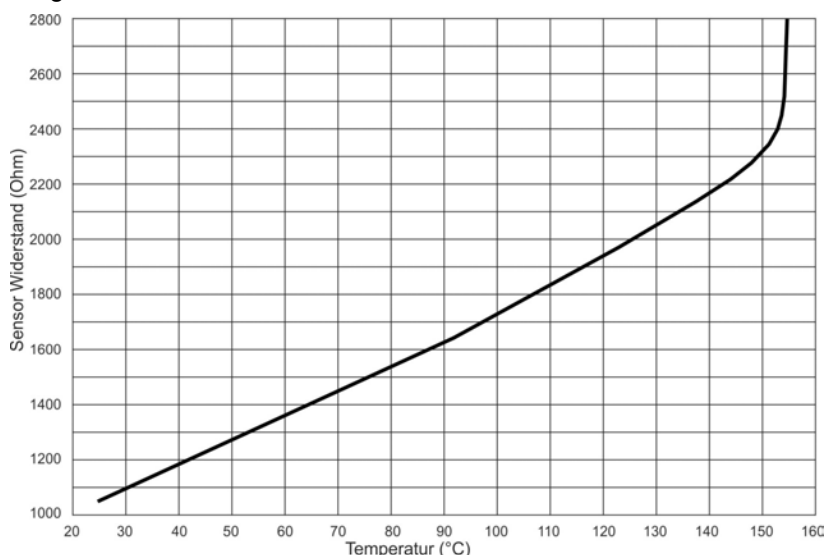
Die zugelassenen Werte am Wellenende abhängig von der Drehzahl entnehmen Sie den Diagrammen im Kapitel "Dimension Drawings" (→ # 74). Die zugelassenen Maximalwerte finden Sie in den technischen Daten.

Kupplung

Als ideale spielfreie Kupplungselemente haben sich doppelkonische Spannzangen eventuell in Verbindung mit Metallbalg-Kupplungen bewährt. Für hygienische Anwendungen wird empfohlen, Lebensmittelqualität-Kupplungen zu verwenden. Der Kunde ist für die Verwendung der geeigneten Kupplung an der AKMH Welle je nach Anwendung verantwortlich.

2.4.2.5 Schutzeinrichtung

In der Standardausführung ist jeder Motor mit einem potentialfreien Temperatursensor ausgestattet. Der Schaltpunkt liegt bei $155^\circ\text{C} \pm 5\%$. Schutz gegen kurzzeitige, sehr hohe Überlastung bietet der Sensor nicht. Der Sensor ist bei Verwendung unserer vorkonfektionierten Leitungen in das Überwachungssystem der digitalen AKD Servoverstärker integriert. Der Motor ist mit einem potentialfreien Temperatursensor (eine Reihenschaltung von KTY83-110 und PTC) ausgestattet. Der Schwellenwert im Servoverstärker ist auf 2500 Ohm eingestellt. Die Charakteristik des Sensors ist in dem Diagramm zu sehen.



2.4.2.6 Schwinggüte

Die Motoren sind in Schwinggüte A nach EN 60034-14 ausgeführt. Das bedeutet für einen Drehzahlbereich von 600-3600 U/min und einer Achshöhe zwischen 56-132 mm eine zulässige Schwingstärke von 1,6 mm/s als Effektivwert.

Drehzahl [U/min]	max. rel. Schwingweg [μm]	max. Run-out [μm]
≤ 1800	90	23
> 1800	65	16

2.4.3 Hygienisches Design

Die "Food and Drug Administration" (FDA) ist eine Agentur des "United States Department of Health and Human Services". Die FDA ist verantwortlich für den Schutz und die Förderung der öffentlichen Gesundheit durch die Regulierung und Überwachung der Lebensmittelsicherheit, Impfstoffe, Biopharmazeutika, Bluttransfusionen, medizinische Geräte und andere Produkte.

INFO

Alle äußerlichen Materialien des AKMH Motors bis auf die Kabel sind FDA geprüfte Materialien. Ein direkter Kontakt zu unverpackten Lebensmitteln ist nicht zulässig.

Die "European Hygienic Engineering and Design Group" (**EHEDG**) ist eine europäische Nicht-Regierungs-Organisation, die sich der Weiterentwicklung von hygienischem Design und Lebensmitteltechnik widmet. Die europäische Gesetzgebung verlangt, dass die Handhabung, Herstellung, Verarbeitung, Verpackung von Lebensmitteln hygienisch, mit hygienischen Maschinen in hygienischen Räumlichkeiten unter Einhaltung der Lebensmittelhygiene-Richtlinie, der Maschinenrichtlinie und der Richtlinie für Materialien mit Kontakt zu Lebensmitteln durchgeführt wird.

INFO

Der AKMH Motor ist konform zu den europäischen Hygienerichtlinien.

Anforderungen	IP69K EHEDG (i.V.)	
	Lebensmittel	Nicht-Lebensmittel
O-Ring	erforderlich	erforderlich
FDA Schlauch	erforderlich	-
Wellendichtung	erforderlich	erforderlich

Einsatzgebiet:	Lebensmittel- und Getränkeindustrie, kein direkter Kontakt mit unverpackten Lebensmitteln.
Beispiel:	Schneiden, Verpacken und Füllen ohne direkten Kontakt zum Lebensmittel, Motor seitlich oder unter dem Lebensmittel.
Standards:	UL, CE, RoHS, BISSC, EHEDG in Vorbereitung, DIN EN ISO 14159 und DIN EN 1672-2 werden eingehalten
Oberfläche:	Edelstahl 1.4404, Rauheit $< 0,8 \mu\text{m}$
Beständigkeit:	Gegen geprüfte Reinigungsmittel (\rightarrow # 55), korrosionsfest
Schutzart:	IP69K
Befestigungsschrauben*:	Edelstahl 1.4404, Dichtung FDA 21 CFR 175.300
O-Ring:	EPDM, FDA 21 CFR 177.2600
Welle:	Edelstahl 1.4404
Wellendichtring:	Mineralisches PTFE, einlippig, Mineral: FDA 21 CFR 175.300 PTFE: FDA 21 CFR 177.1500
Schraube für Zentrierbohrung*:	Edelstahl 1.4404, Dichtung FDA 21 CFR 175.300
Lagerfett:	Lebensmitteltauglich, gemäß FDA 21 CFR 178.3570

Kabeldurchführung:	Edelstahl 1.4404, Silikondichtung FDA 21 CFR 177.2600
Kabelschlauch:	Silikon FDA 21 CFR 177.2600
Typenschild:	Gehäuse laserbeschriftet
Baugröße:	AKMH2 bis AKMH6

* Optional, im Befestigungsset enthalten

2.4.3.1 Geprüfte Eigenschaften gegenüber Reinigungsmittel

Im Prüflabor der ECOLAB Deutschland GmbH wurde die Resistenz der Washdown und Washdown Food Oberflächen gegen folgende industrielle Reinigungsmittel geprüft:

- P3-topactive DES
- P3-topax 12
- P3-topax 56
- P3-topax 66
- P3-topax 990

Dabei wurden die Oberflächen 28 Tage lang bei 21°C Temperatur in das jeweilige Reinigungsmittel getaucht.

Dies entspricht ca. 2500 Reinigungszyklen mit jeweils 15 minütigem Kontakt zum Reinigungsmittel bzw. 1500 Reinigungszyklen mit Reinigung und nachfolgender Desinfektion.

HINWEIS

Kollmorgen kann eine Gewährleistung der Motorlebensdauer nur bei Einsatz der getesteten Reinigungsmittel geben. Andere als die oben genannten Reinigungsmittel kann Kollmorgen auf Anfrage testen und gegebenenfalls freigeben.

2.4.3.2 Reinigungsplan

Empfohlener Reinigungsplan mit den getesteten Reinigungsmitteln:

Spülen mit Wasser (40°... 50°C)

Spülen mit niedrigem Druck. Von oben nach unten in Richtung zum Abfluss. Den Abfluss reinigen.

Schaumreinigung

Schäumen von oben nach unten.

Alkalisch:	P3-topax 66 (2-5%, täglich 15 min)
Sauer:	P3-topax 56 (2%, wenn erforderlich 15 min)
Temperatur:	kalt bis zu 40°C

Desinfektion

Absprühen mit Wasser (40°... 50°C) mit niedrigem Druck. Von oben nach unten.

Sprühdesinfektion:	P3-topax 990 (1-2%, wenn erforderlich 30-60 min)
Schaumdesinfektion:	P3-topactiv DES (1-3%, wenn erforderlich 10-30 min)

2.5 Mechanische Installation

INFO

Maßzeichnungen finden Sie im Kapitel "Dimension Drawings" (→ # 74).

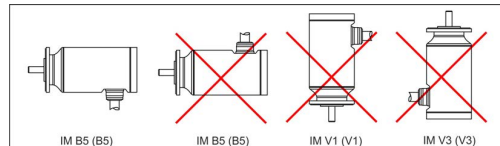
2.5.1 Wichtige Hinweise

INFO

Nur Fachleute mit Maschinenbau-Kenntnissen dürfen den Motor montieren.

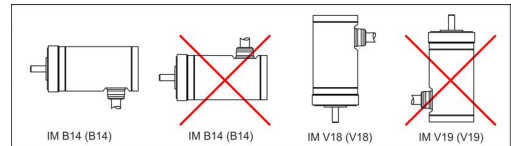
- Schützen Sie die Motoren und Kabel vor unzulässiger Beanspruchung. Bei Transport und Handhabung dürfen keine Bauelemente beschädigt werden. Vermeiden Sie Kratzer in der Edelstahloberfläche und Einschnitte auf dem Schlauch.
- AKMH Motoren dürfen nicht mit nach oben weisender Welle montiert werden.
- Grundbauform für die Montage nach DIN EN 60034-7:

Flanschmontage (Flanschtypen Ax, Bx)



Erlaubt: B5

Frontmontage (Flanschtypen Cx, Dx)



Erlaubt: B14, V18

- Die Montageart mit der Welle aufwärts und die Kabeldurchführung auf der Oberseite des Motors ist in hygienischen Anwendungen nicht erstattet.
- Zur Abdichtung des Montageflansches muss der im Lieferumfang enthaltene O-Ring benutzt werden.
- Verwenden Sie Dichtungsschrauben für die Motorbefestigung.
- Schließen Sie bei freiliegendem Wellenende die Zentrierbohrung in der Welle mit einer Dichtungsschraube.
- Der Motor sollte derart montiert werden, dass das Motorkabel zur Seite oder nach unten aus dem Motor austritt. Montieren Sie eine Zugentlastung falls erforderlich.
- Stellen Sie die ungehinderte Belüftung der Motoren sicher und beachten Sie die zulässige Umgebungs- und Flanschttemperatur. Bei Umgebungstemperaturen über 40°C sprechen Sie mit unserer Applikationsabteilung. Sorgen Sie für ausreichende Wärmeabfuhr in der Umgebung und am Motorflansch.
- Flansch und Welle sind bei Lagerung und Einbau besonders gefährdet — vermeiden Sie daher rohe Kraftanwendung. Benutzen Sie zum Aufziehen von Kupplungen, Zahnrädern oder Riemenscheiben unbedingt das vorgesehene Anzugsgewinde in der Motorwelle und erwärmen Sie, sofern möglich, die Abtriebsselemente. Schläge oder Gewaltanwendung führen zur Schädigung von Kugellagern und Welle.
- Verwenden Sie nach Möglichkeit nur spielfreie, reibschlüssige Spannzangen oder Kupplungen. Achten Sie auf korrektes Ausrichten der Kupplung. Ein Versatz führt zu unzulässigen Vibrationen und zur Zerstörung von Kugellagern und Kupplung.
- Vermeiden Sie unter allen Umständen eine mechanisch überbestimmte Lagerung der Motorwelle durch starre Kupplung und externe Lagerung (z.B. im Getriebe).
- Vermeiden Sie möglichst eine axiale Belastung der Motorwelle. Eine axiale Belastung verkürzt die Lebensdauer des Motors erheblich.
- Prüfen Sie die Einhaltung der zulässigen Radial- und Axialbelastungen F_R und F_A . Bei Verwendung eines Zahnriemen-Antriebs ergibt sich der minimal zulässige Durchmesser des Ritzels z.B. nach der Gleichung: $d_{\min} \geq (M_o / F_R) * 2$.

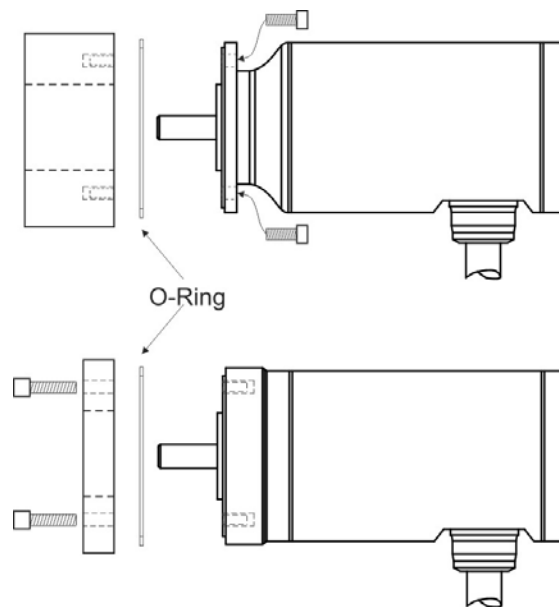
2.5.2 Flanschmontage, Frontmontage



WARNUNG

Galvanische Korrosion kann zur Kontaminierung des Produkts, Zerstörung der Motorbefestigung und Ausfall des Motors führen. Eine zerstörte Motorbefestigung könnte zu Stromschlaggefahr durch Abriss der elektrischen Anschlüsse oder der Motorleitung führen. Das Motorgehäuse besteht aus Edelstahl. Vermeiden direkten Kontakt des Motors an aktivere Metalle wie Aluminium oder Stahl, um galvanische Korrosion zu verhindern.

AKMH Motoren können entweder von der Flanschrückseite oder von der Vorderseite verschraubt werden.



Flanschmontage (A):

Durchgangsbohrungen im Flansch ermöglichen Montage von der Rückseite mit Dichtungsschrauben.

In den hygienischen Applikationen nur B5 Montage gemäß EN 60034-7.

Frontmontage (C):

Gewinde im Flansch ermöglichen Montage von der Frontseite mit Dichtungsschrauben.

In den hygienischen Applikationen nur B14/V18 Montage gemäß EN 60034-7.

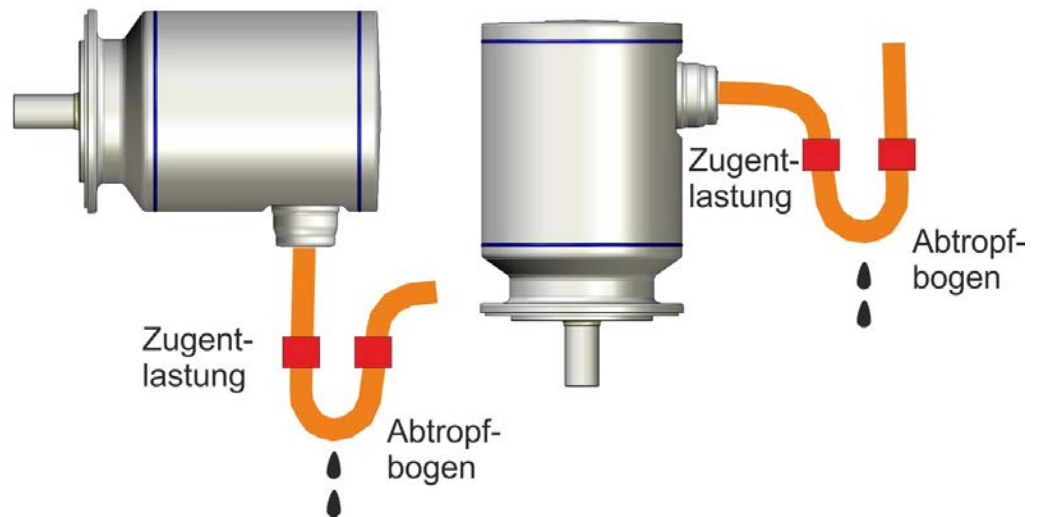
Verwenden Sie zur Einhaltung der Hygienerichtlinien das optionale AKMH Befestigungsset (→ # 41) mit den passenden Dichtungsschrauben für Welle und Flansch.

2.5.3 O-Ring Dichtungen

Legen Sie den O-Ring (im Lieferumfang) in die Nut am Flansch des Motors (siehe Grafik oben), drücken Sie den Motor gegen den Gegenflansch (z.B. Getriebeflansch) und befestigen Sie den Motor mit den Dichtungsschrauben.

2.5.4 Kabelinstallation

Der Motor sollte derart montiert werden, dass das Motorkabel zur Seite oder nach unten aus dem Motor austritt. Das Kabel sollte in einem Bogen verlegt werden, damit Reinigungsflüssigkeit abtropfen kann.



VORSICHT

Die Kabeldurchführung kann sich lösen oder undicht werden, wenn keine Zugentlastung am Kabel verwendet wird. Dies könnte zu einem unerwarteten Verhalten des Motors und Stromschlaggefahr frei liegender elektrischer Abschlüsse führen.

2.5.4.1 Standard Verdrahtung

Die standard Verdrahtung kann in allen Anwendungen eingesetzt werden, nur nicht im Lebensmittelbereich.

Beachten Sie den minimalen Kabelbiegeradius (→ # 47)).

HINWEIS

Bewerten Sie vor dem Langzeiteinsatz die Verträglichkeit der verwendeten Reinigungsmittel mit dem Motorkabel. Im Lebensmittelbereich muss die Schlauchoption für das Kabel verwendet werden.

2.5.4.2 Schlauch Verdrahtung

Ein Silikonschlauch schützt das Kabel und die elektrischen Anschlüsse im Motor vor den Reinigungsmitteln und verhindert Emissionen aus dem Mantel des Motorkabels.

Beachten Sie den minimalen Kabelbiegeradius (→ # 47)).

HINWEIS

Setzen Sie den Silikonschlauch keinen starken Mineralsäuren aus. Bewerten Sie vor dem Langzeiteinsatz die Verträglichkeit der verwendeten Reinigungsmittel mit dem Silikonschlauch. Setzen Sie den Silikonschlauch keinen starken mechanischen Belastungen aus. Nach der Montage und in regelmäßigen Zeitabständen sollte der Schlauch auf Risse oder Schnitte überprüft werden.

2.6 Elektrische Installation

2.6.1 Wichtige Hinweise

INFO

Nur Fachleute mit elektrotechnischer Ausbildung dürfen den Motor verdrahten.



GEFAHR

Verdrahten Sie die Motoren immer im spannungsfreien Zustand, d.h. keine der Betriebsspannungen eines anzuschließenden Gerätes darf eingeschaltet sein. Es besteht die Gefahr von Tod oder schweren gesundheitlichen Schäden beim Berühren freiliegender Kontakte. Sorgen Sie für eine sichere Freischaltung des Schaltschranks (Sperrschranke, Warningschilder etc.). Erst bei der Inbetriebnahme werden die einzelnen Spannungen eingeschaltet.

Lösen Sie die elektrischen Anschlüsse der Motoren nie unter Spannung. Gefahr durch elektrischen Schlag! In ungünstigen Fällen können Lichtbögen entstehen und Personen und Kontakte schädigen.

Restladungen in den Kondensatoren des Servoverstärkers können bis zu 10 Minuten nach Abschalten der Netzspannung gefährliche Werte aufweisen. Leistungsanschlüsse können Spannung führen, auch wenn sich der Motor nicht dreht. Messen Sie die Spannung im Zwischenkreis und warten Sie, bis die Spannung unter 60V abgesunken ist.

Beachten Sie auch die Hinweise in den Anschlussplänen in der Betriebsanleitung des verwendeten Servoverstärkers.

2.6.2 Anschluss der Motoren

Kollmorgen liefert AKMH Motoren mit fest montiertem Kabel auf der Motorseite und montierten Feedback Stecker sowie lose Aderenden für den Leistungsanschluss auf der Verstärkerseite für AKD-B/P/T/M Servoverstärker.

Führen Sie die Verdrahtung gemäß den gültigen Normen und Vorschriften aus (z.B. EN 60204). Falsch installierte Abschirmung führt zu EMV Störungen und hat negative Auswirkungen auf die Systemfunktion. Die Steckerbelegung finden Sie in der Betriebsanleitung des verwendeten Servoverstärkers.

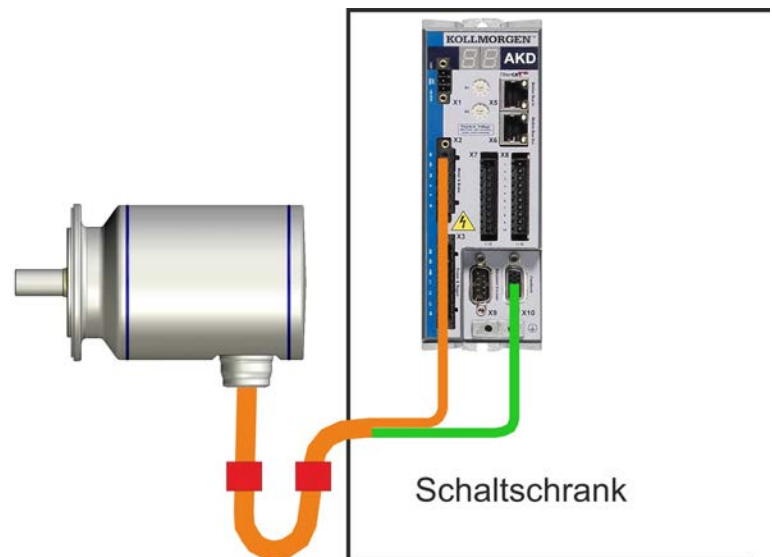
Die maximale Kabellänge ist 15 m.

Technische Daten unserer Leitungen finden Sie im [Produkt-WIKI](#).

2.6.3 Leitfaden für die elektrische Installation

1. Prüfen Sie die Zuordnung von Servoverstärker und Motor. Vergleichen Sie Nennspannung und Nennstrom der Geräte.
2. Bei Anschluss an AKD-B/P/T/M Servoverstärkern mit 230V Nennspannung (AKD-xzzz06 Typen) müssen die Aderendhülsen auf den Motorleistungsadern um ca. 2-3 mm gekürzt werden.
3. Achten Sie auf einwandfreie Erdung von Servoverstärker und Motor. EMV-gerechte Abschirmung und Erdung siehe Betriebsanleitung des AKD. Erden Sie Montageplatte und Motorgehäuse.
4. Der Schirm muss am Servoverstärker aufgelegt werden (siehe auch Betriebsanleitung des AKD).
5. Legen Sie Abschirmungen großflächig (niederohmig) über metallisierte Steckergehäuse bzw. EMV-gerechte Kabelverschraubungen auf.

System mit AKMH und AKD-P



2.7 Inbetriebnahme

2.7.1 Wichtige Hinweise

INFO

Nur Fachleute mit weitreichenden Kenntnissen in den Bereichen Elektrotechnik und Antriebstechnik dürfen die Antriebseinheit Servoverstärker/Motor in Betrieb nehmen.


GEFAHR

Es treten Spannungen bis zu 900V auf. Lebensgefahr durch elektrischen Schlag! Prüfen Sie, ob alle spannungsführenden Anschlusssteile gegen Berührung sicher geschützt sind.

Lösen Sie die elektrischen Anschlüsse der Motoren nie unter Spannung. Restladungen in den Kondensatoren des Servoverstärkers können bis zu 10 Minuten nach Abschalten der Netzspannung gefährliche Werte aufweisen. Steuer- und Leistungsanschlüsse können Spannung führen, auch wenn sich der Motor nicht dreht.

Messen Sie die Spannung im Zwischenkreis und warten Sie, bis die Spannung unter 60V abgesunken ist.


VORSICHT

Die Oberflächentemperatur des Motors kann im Betrieb 100°C überschreiten. Gefahr leichter Verbrennungen! Prüfen (messen) Sie die Temperatur des Motors.

Warten Sie, bis der Motor auf 40°C abgekühlt ist, bevor Sie ihn berühren.


VORSICHT

Während der Inbetriebnahme ist nicht auszuschließen, dass der Antrieb ungeplant eine Bewegung durchführt.

Stellen Sie sicher, dass auch bei ungewollter Bewegung des Antriebs keine Gefährdung von Personen oder Sachen eintreten kann.

Die Maßnahmen, die Sie dazu in Ihrer Anwendung treffen müssen, ergeben sich aus der Risikobeurteilung der Anwendung.

2.7.2 Leitfaden für die Inbetriebnahme

Das Vorgehen bei der Inbetriebnahme wird exemplarisch beschrieben. Je nach Einsatz der Geräte kann auch ein anderes Vorgehen sinnvoll und erforderlich sein.

1. Prüfen Sie Montage und Ausrichtung des Motors.
2. Prüfen Sie die Abtriebs Elemente (Kupplung, Getriebe, Riemenscheibe) auf festen Sitz und korrekte Einstellung (zulässige Radial- und Axialkräfte beachten).
3. Prüfen Sie die Verdrahtung und Anschlüsse am Servoverstärker. Achten Sie auf ordnungsgemäße Erdung.
4. Prüfen Sie die Funktion der Haltebremse, sofern vorhanden. (24V anlegen, Bremse muss lüften).
5. Prüfen Sie, ob der Rotor des Motors sich frei drehen lässt (eventuell vorhandene Bremse vorher lüften). Achten Sie auf Schleifgeräusche.
6. Prüfen Sie, ob alle erforderlichen Berührungsschutz-Maßnahmen für bewegte und spannungsführende Teile getroffen wurden.
7. Führen Sie weitere für Ihre Anlage spezifischen und notwendigen Prüfungen durch.
8. Nehmen Sie nun entsprechend der Inbetriebnahmeanweisung des Servoverstärkers den Antrieb in Betrieb.
9. Nehmen Sie bei Mehrachs-Systemen jede Antriebseinheit Servoverstärker/Motor einzeln in Betrieb.

2.7.3 Beseitigen von Störungen

Abhängig von den Bedingungen in Ihrer Anlage können vielfältige Ursachen für die auftretende Störung verantwortlich sein. Beschrieben werden vorwiegend die Fehlerursachen, die den Motor direkt betreffen. Auffälligkeiten im Regelverhalten haben meist ihre Ursache in fehlerhafter Parametrierung des Servoverstärkers. Informieren Sie sich hierzu in der Dokumentation des Servoverstärkers und der Inbetriebnahmesoftware.

Bei Mehrachssystemen können weitere versteckte Fehlerursachen vorliegen.

Fehler	Mögliche Fehlerursachen	Maßnahmen
Motor dreht nicht	—Servoverstärker nicht freigegeben —Sollwertleitung unterbrochen —Motorphasen vertauscht —Bremse ist nicht gelöst —Antrieb ist mechanisch blockiert	—ENABLE-Signal anlegen —Sollwertleitung prüfen —Motorphasen korrekt auflegen —Bremsenansteuerung prüfen —Mechanik prüfen
Motor geht durch	—Motorphasen vertauscht	—Motorphasen korrekt auflegen
Motor schwingt	—Abschirmung Feedbackleitung unterbrochen —Verstärkung zu groß	—Motor austauschen —Motordefaultwerte verwenden
Fehlermeldung Bremse	—Kurzschluss in der Spannungsversorgung der Motorhaltebremse —defekte Motorhaltebremse	—Kurzschluss beseitigen —Motor austauschen
Fehlermeldung Endstufenfehler	—Motorleitung hat einen Kurz- oder Erdschluss —Motor hat einen Kurz- oder Erdschluss	—Motor austauschen —Motor austauschen
Fehlermeldung Motortemperatur	—Motorthermosensor hat angesprochen —Feedbackstecker lose —Feedbackleitung unterbrochen	—Abwarten, bis der Motor abgekühlt ist. Dann überprüfen, warum der Motor zu heiß wird. —Stecker prüfen —Motor ersetzen
Bremse greift nicht	—Gefordertes Haltemoment zu hoch —Bremse defekt —Motorwelle axial überlastet	—Auslegung überprüfen —Motor austauschen —Axiale Last prüfen, reduzieren

2.8 Begriffsdefinitionen der technischen Daten

INFO

Technische Daten zum Motor finden Sie im Kapitel "Technical Data" ab (→ # 66).

Alle Angaben bei 40°C Umgebungstemperatur und 100K Wicklungsüber Temperatur.
 Nenndatenermittlung bei konstanter Temperatur des Gegenflansches von 65°C.
 Die Daten können eine Toleranz von +/- 10% aufweisen.

Stillstands Drehmoment M_0 [Nm]

Das Stillstands Drehmoment kann bei Drehzahl $0 < n < 100 \text{ min}^{-1}$ und Nenn-Umgebungsbedingungen unbegrenzt lange abgegeben werden.

Nenn Drehmoment M_n [Nm]

Das Nenn Drehmoment wird abgegeben, wenn der Motor bei Nenn Drehzahl Nennstrom aufnimmt. Das Nenn Drehmoment kann im Dauerbetrieb (S1) bei Nenn Drehzahl unbegrenzt lange abgegeben werden.

Stillstandsstrom I_{0rms} [A]

Der Stillstandsstrom ist der Sinus-Effektiv-Stromwert, den der Motor bei $0 < n < 100 \text{ min}^{-1}$ aufnimmt, um das Stillstands Drehmoment abgeben zu können.

Spitzenstrom (Impulsstrom) I_{0max} [A]

Der Spitzenstrom (Sinus-Effektivwert) ist ein Mehrfaches des Stillstandsstroms abhängig von der Wicklung. Der Spitzenstrom des verwendeten Servoverstärkers muss kleiner sein.

Drehmomentkonstante K_{Trms} [Nm/A]

Die Drehmomentkonstante gibt an, wie viel Drehmoment in Nm der Motor mit 1A Sinus-Effektivstrom erzeugt. Es gilt $M = I \times K_T$ (bis maximal $I = 2 \times I_0$)

Spannungskonstante K_{Erms} [mVmin]

Die Spannungskonstante gibt die auf 1000U/min bezogene induzierte Motor EMK als Sinus-Effektivwert zwischen zwei Klemmen an. Bei 25 ° C gemessen.

Rotorträgheitsmoment J [kgcm²]

Die Konstante J ist ein Maß für das Beschleunigungsvermögen des Motors. Mit I_0 ergibt sich z.B. die Beschleunigungszeit t_b von 0 bis 3000 min^{-1} zu :

$$t_b [s] = \frac{3000 \cdot 2\pi}{M_0 \cdot 60s} \cdot \frac{m^2}{10^4 \cdot cm^2} \cdot J \quad \text{mit } M_0 \text{ in Nm und } J \text{ in kg.cm}^2$$

Thermische Zeitkonstante t_{th} [min]

Die Konstante t_{th} gibt die Erwärmungszeit des kalten Motors bei Belastung mit I_0 bis zum Erreichen von $0,63 \times 100$ Kelvin Übertemperatur an.
 Bei Belastung mit Spitzenstrom erfolgt die Erwärmung in wesentlich kürzerer Zeit.

Lüftverzögerungszeit t_{BRH} [ms] / Einfallverzögerungszeit t_{BRL} [ms] der Bremse

Die Konstanten geben die Reaktionszeiten der Haltebremse bei Betrieb mit Nennspannung am Servoverstärker an.

U_N

Netznennspannung

U_n

Zwischenkreisspannung.

-/-

3 Appendix

3.1 Technical Data	66
3.1.1 Dictionary for technical data tables	66
3.1.2 Technical Data AKMH2	67
3.1.3 Technical Data AKMH3	68
3.1.4 Technical Data AKMH4	69
3.1.5 Technical Data AKMH5	71
3.1.6 Technical Data AKMH6	73
3.2 Dimension drawings	74
3.2.1 Dimensions AKMH2 (Ax flanges)	74
3.2.2 Dimensions AKMH2 (Cx flanges)	75
3.2.3 Radial/axial forces AKMH2	75
3.2.4 Dimensions AKMH3 (Ax flanges)	76
3.2.5 Dimensions AKMH3 (Cx flanges)	77
3.2.6 Radial/axial forces AKMH3	77
3.2.7 Dimensions AKMH4 (Ax flanges)	78
3.2.8 Dimensions AKMH4 (Cx flanges)	79
3.2.9 Radial/axial forces AKMH4	79
3.2.10 Dimensions AKMH5 (Ax flanges)	80
3.2.11 Dimensions AKMH5 (Cx flanges)	81
3.2.12 Radial /axial forces AKMH5	81
3.2.13 Dimensions AKMH6 (Ax flanges)	82
3.2.14 Dimensions AKMH6 (Cx flanges)	83
3.2.15 Radial/axial forces AKMH6	83
3.3 Connector Pinout	84
3.3.1 Connection codes B,G,V,W: AKMH2 - AKMH6 Single hybrid cable - Vented stainless steel and non-stainless steel connector	84
3.3.2 Connection codes K,T: AKMH2 - AKMH6 Single hybrid cable - Flying leads	84
3.3.3 Connection codes B,G,V,W: AKMH2 - AKMH6 Dual cable - Vented stainless and non-stainless steel connectors	86
3.3.4 Connection codes L,M: AKMH2 - AKMH6 Flying leads - Dual cables	88
3.3.5 Connection code R: AKMH2 - AKMH6 Dual cable - Vented non-stainless steel connector	90
3.4 Approvals	91
3.4.1 EC Declaration of Conformity	91
3.4.2 Hygienic Standards, Declaration of Conformity	92
3.4.3 USDA Certification	93
3.4.4 Underwriters Laboratories	94
3.4.5 BISSC Certification	94
3.4.6 NSF Certification	94
3.4.7 FDA Materials, Declaration of Conformity	95

3.1 Technical Data

3.1.1 Dictionary for technical data tables

English	Deutsch	Italiano	Español
Data	Daten	Dati	Datos
Symbol [Unit]	Symbol [Einheit]	Simbolo [unità]	Símbolo [unidad]
Electrical data	Elektrische Daten	Dati elettrici	Datos eléctricos
Standstill torque	Stillstands Drehmoment	Coppia cont. allo stallo	Par motor de parada
Standstill current	Stillstandsstrom	Corrente cont. allo stallo	Corriente de parada
Max. Mains voltage	Max. Netz-Nennspannung	Tensione di rete nom. max.	Tensión max del red
Rated speed	Nenndrehzahl	Velocità nominale	Velocidad nominal
Rated torque	Nenndrehmoment	Coppia nominale	Par motor nominal
Rated power	Nennleistung	Potenza nominale	Potencia nominal
Peak current	Spitzenstrom	Corrente di picco	Corriente máxima
Peak torque	Spitzendrehmoment	Coppia di picco	Par motor motor máximo
Torque constant	Drehmomentkonstante	Costante di coppia	Costante de par motor
Voltage constant	Spannungskonstante	Costante di tensione	Costante de tensión
Winding resistance	Wicklungswiderstand	Resistenza avvolgimento	Resistencia de la bobina
Winding inductance	Wicklungsinduktivität	Induttività avvolgimento	Inductividad de la bobina
Mechanical data	Mechanische Daten	Dati meccanici	Datos mecánicos
Rotor moment of inertia	Rotorträgheitsmoment	Momento di inerzia del rotore	Momento de inercia del rotor
Pole number	Polzahl	Numero di poli	N° de polos
Static friction torque	Statisches Reibmoment	Momento di aderenza statica	Par estático de fricción
Thermal time constant	Thermische Zeitkonstante	Costante di tempo termica	Costante térmica de tiempo
Weight standard	Gewicht standard	Peso standard	Peso de estándar
Radial Force at shaft end	Radialkräfte am Wellenende		
Radial load permitted at shaft end	Zulässige Radialkraft am Wellenende	Soll. radiale ammessa sull estr. dell'albero	Fuerza radial admitido en el extremo del eje
Axial load permitted	Zulässige Axialkraft	Soll. assiale ammessa	Fuerza axial admitido
Shaft fatigue limit	Ermüdungsgrenze der Welle		
Minimum cross section	Minimaler Querschnitt	Sezione max.	Sección máx.
Reference flange	Bemessungsflansch	Flangia di calcolo	Brida de la referencia
Derating in case of built-in Encoder (and Brake)	Begrenzung der Nennwerte bei eingebautem Encoder (und Bremse)	Riducendo le imposte nel caso del codificatore (e del freno) incorporati	El reducir la capacidad normal en caso de codificador (y de freno) incorporados

English	Deutsch	Italiano	Español
Brake data	Bremsendaten	Dati freno	Datos de frenos
Holding torque	Haltemoment	Coppia di arresto	Momento de parada
Operating voltage	Anschlussspannung	Tensione di allacciamento	Tensión de conexión
Electrical power	Elektrische Leistung	Potenza elettrica	Potencia eléctrica
Moment of inertia	Trägheitsmoment	Momento d'inerzia	Momento de inercia
Release delay time	Lüftverzögerungszeit	Ritardo al rilascio	Tiempo de respuesta
Engage delay time	Einfallverzögerungszeit	Ritardo all'incidenza	Tiempo de reacción
Weight of the brake	Gewicht der Bremse	Peso del freno	Peso de freno
Typical backlash	typisches Spiel	Gioco tipico	Contragolpe típico

3.1.2 Technical Data AKMH2

	Data	Symbol [Unit]	AKMH								
			21C	22C	22E	23D	23E	23F	24D	24E	24F
Electrical data											
	Standstill torque*	M_0 [Nm]	0.317	0.633	0.654	0.897	0.904	0.917	1.12	1.12	1.13
	Standstill current	I_{0rms} [A]	1.33	1.18	2.31	1.89	2.36	3.71	1.91	2.41	3.38
	max. Mains voltage	U_N [VAC]	480								
$U_n = 320VDC$	Rated speed	n_n [rpm]	8000	3500	8000	5000	6500	8000	4000	5500	8000
	Rated torque*	M_n [Nm]	0.255	0.583	0.41	0.765	0.688	0.593	1.04	0.981	0.839
	Rated power	P_n [kW]	0.21	0.21	0.35	0.40	0.47	0.50	0.44	0.57	0.70
$U_n = 560VDC$	Rated speed	n_n [rpm]	8000	8000	8000	8000	8000	8000	8000	8000	8000
	Rated torque*	M_n [Nm]	0.255	0.4	0.41	0.58	0.58	0.59	0.83	0.83	0.84
	Rated power	P_n [kW]	0.21	0.34	0.35	0.49	0.49	0.49	0.70	0.70	0.70
$U_n = 640VDC$	Rated speed	n_n [rpm]	8000	8000	8000	8000	8000	8000	8000	8000	8000
	Rated torque*	M_n [Nm]	0.255	0.4	0.41	0.58	0.58	0.58	0.83	0.83	0.83
	Rated power	P_n [kW]	0.21	0.34	0.35	0.49	0.49	0.49	0.70	0.70	0.70
	Peak current	I_{0max} [A]	7.9	7.0	13.7	11.0	13.9	21.6	11.1	14.0	19.5
	Peak torque	M_{0max} [Nm]	1.57	3.03	3.07	4.35	4.37	4.41	5.50	5.51	5.53
	Torque constant	K_{Trms} [Nm/A]	0.30	0.61	0.32	0.52	0.42	0.27	0.63	0.50	0.36
	Voltage constant	K_{Frms} [mVmin]	19.5	39	20.4	33.8	27	17.6	40.8	32.4	23.4
	Winding resistance Ph-Ph	R_{25} [Ω]	13.0	20.0	5.24	8.79	5.46	2.36	9.04	5.46	2.96
	Winding inductance Ph-Ph	L [mH]	19.0	35.5	9.7	17.3	11.1	4.68	18.7	11.8	6.16
Mechanical data											
	Rotor moment of inertia	J [kgcm ²]	0.107	0.161	0.216			0.27			
	Pole number	-	6	6	6			6			
	Static friction torque	M_R [Nm]	0.081	0.084	0.086			0.089			
	Thermal time constant	t_{TH} [min]	29	32	34			37			
	Weight flange mounting**	G [kg]	3.6	4.1	4.6			5.1			
	Weight face mounting**	G [kg]	4.0	4.5	5.0			5.5			
	Radial load permitted	F_R [N]	max. 140, (\rightarrow # 75)								
	Axial load permitted	F_A [N]	max. 600, (\rightarrow # 75)								
Derating depending on model options for M_0 and I_{0rms} (evaluation in process)											
	Built-in brake	%	i.p.	i.p.	i.p.			i.p.			
	Built-in encoder	%	i.p.	i.p.	i.p.			i.p.			
Power cable acc. EN60204-1:2006 Table 6, Column B2											
	Minimum cross section	mm ²	1	1	1	1	1	1	1	1	1
	Fixed cable cross section	mm ²	2.5	2.5	2.5	2.5	2.5	2.5	2.5	2.5	2.5

* Rated data with reference flange Aluminium 254mm * 254mm * 6.35mm

** Cable weight adder (0.32 kg/m)

Brake data

Holding torque @ 120°C	M_{BR} [Nm]	1.42	Release delay time	t_{BRH} [ms]	45
Operating voltage	U_{BR} [VDC]	24 ± 10 %	Engage delay time	t_{BRI} [ms]	36
Electrical power @ 20°C	P_{BR} [W]	8.4 ± 7 %	Brake weight adder	G_{BR} [kg]	0.27
Moment of inertia	J_{BR} [kgcm ²]	0.014	Typical backlash	[°mech.]	0.46

3.1.3 Technical Data AKMH3

	Data	Symbol [Unit]	AKMH								
			31C	31E	31H	32C	32E	32H	33C	33E	33H
Electrical data											
	Standstill torque*	M_0 [Nm]	1.00	1.04	1.08	1.72	1.77	1.82	2.25	2.32	2.38
	Standstill current	I_{0rms} [A]	1.29	2.76	5.59	1.30	2.56	4.92	1.27	2.20	4.78
	max. Mains voltage	U_N [VAC]	480								
$U_n = 320VDC$	Rated speed	n_n [rpm]	2500	6000	8000	1500	3500	7000	1000	2000	5500
	Rated torque*	M_n [Nm]	0.95	0.86	0.76	1.66	1.57	1.13	2.22	2.20	1.64
	Rated power	P_n [kW]	0.25	0.54	0.64	0.26	0.57	0.83	0.23	0.46	0.94
$U_n = 560VDC$	Rated speed	n_n [rpm]	6000	8000	8000	3000	7000	8000	2000	4500	8000
	Rated torque*	M_n [Nm]	0.82	0.74	0.76	1.57	1.10	0.95	2.14	1.82	0.88
	Rated power	P_n [kW]	0.51	0.62	0.64	0.49	0.81	0.80	0.45	0.86	0.74
$U_n = 640VDC$	Rated speed	n_n [rpm]	6000	8000	8000	3500	8000	8000	2500	5000	8000
	Rated torque*	M_n [Nm]	0.82	0.74	0.76	1.52	0.92	0.95	2.09	1.72	0.88
	Rated power	P_n [kW]	0.51	0.62	0.64	0.56	0.77	0.80	0.55	0.90	0.74
	Peak current	I_{0max} [A]	6.90	15.0	29.3	7.2	14.1	27.5	7.4	12.9	28.1
	Peak torque	M_{0max} [Nm]	4.41	4.52	4.59	8.10	8.24	8.39	11.5	11.7	11.9
	Torque constant	K_{Trms} [Nm/A]	0.85	0.41	0.21	1.4	0.73	0.39	1.86	1.10	0.52
	Voltage constant	K_{Frms} [mV/min]	54.5	26.1	13.7	89.8	47.1	24.8	120	70.6	33.4
	Winding resistance Ph-Ph	R_{25} [Ω]	21.4	4.76	1.31	23.8	6.32	1.71	26.6	9.03	1.98
	Winding inductance Ph-Ph	L [mH]	37.5	8.6	2.4	46.5	12.8	3.53	53.6	18.5	4.1
Mechanical data											
	Rotor moment of inertia	J [kgcm ²]	0.33		0.59			0.85			
	Pole number		8		8			8			
	Static friction torque	M_R [Nm]	0.093		0.099			0.105			
	Thermal time constant	t_{TH} [min]	24		32			40			
	Weight flange mounting**	G [kg]	4.1		5			5.9			
	Weight face mounting**	G [kg]	4.5		5.4			6.4			
	Radial load permitted	F_R [N]	max. 200, (\rightarrow # 77)								
	Axial load permitted	F_A [N]	max. 600, (\rightarrow # 77)								
Derating depending on model options for M_0 and I_{0rms} (data evaluation in process)											
	Built-in brake	%	i.p.			i.p.			i.p.		
	Built-in encoder	%	i.p.			i.p.			i.p.		
Power cable acc. EN60204-1:2006 Table 6, Column B2											
	Minimum cross section	mm ²	1	1	1	1	1	1	1	1	1
	Fixed cable cross section	mm ²	2.5	2.5	2.5	2.5	2.5	2.5	2.5	2.5	2.5

* Rated data with reference flange Aluminium 254mm * 254mm * 6.35mm

** Cable weight adder (0.32 kg/m)

Brake data

Holding torque @ 120°C	M_{BR} [Nm]	2.5	Release delay time	t_{BRH} [ms]	50
Operating voltage	U_{BR} [VDC]	24 ± 10 %	Engage delay time	t_{BRI} [ms]	20
Electrical power @ 20°C	P_{BR} [W]	10.1 ± 7 %	Brake weight adder	G_{BR} [kg]	0.35
Moment of inertia	J_{BR} [kgcm ²]	0.014	Typical backlash	[°mech.]	0.46

3.1.4 Technical Data AKMH4

	Data	Symbol [Unit]	AKMH						
			41C	41E	41H	42C	42E	42H	42J
Electrical data									
	Standstill torque*	M_0 [Nm]	1.85	1.92	1.96	3.22	3.28	3.40	3.42
	Standstill current	I_{0rms} [A]	1.39	2.71	5.32	1.35	2.63	5.76	8.06
	max. Mains voltage	U_N [VAC]	480						
U_n 320VDC	Rated speed	n_n [rpm]	1200	3000	6000	—	1800	4500	6000
	Rated torque*	M_n [Nm]	1.78	1.74	1.47	—	2.99	2.63	2.23
	Rated power	P_n [kW]	0.22	0.55	0.92	—	0.56	1.24	1.40
U_n 560VDC	Rated speed	n_n [rpm]	3000	6000	6000	1500	3500	6000	6000
	Rated torque*	M_n [Nm]	1.68	1.44	1.47	2.98	2.72	2.21	2.23
	Rated power	P_n [kW]	0.53	0.90	0.92	0.47	1.00	1.39	1.40
U_n 640VDC	Rated speed	n_n [rpm]	3500	6000	6000	2000	4000	6000	6000
	Rated torque*	M_n [Nm]	1.65	1.44	1.47	2.91	2.61	2.21	2.23
	Rated power	P_n [kW]	0.60	0.90	0.92	0.61	1.10	1.39	1.40
	Peak current	I_{0max} [A]	7.3	14.3	28.0	7.00	13.7	30.0	42.0
	Peak torque	M_{0max} [Nm]	6.82	6.95	7.00	12.6	12.8	13.1	13.1
	Torque constant	K_{Trms} [Nm/A]	1.34	0.71	0.37	2.4	1.26	0.59	0.43
	Voltage constant	K_{Fms} [mV/min]	86.3	45.6	23.7	154	80.9	38.3	27.5
	Winding resistance	R_{25} [Ω]	21.3	6.04	1.58	27.5	7.80	1.67	0.82
	Winding inductance	L [mH]	66.1	18.4	5.0	97.4	26.8	6.0	3.1
Mechanical data									
	Rotor moment inertia	J [kgcm ²]	0.81			1.45			
	Pole number		10			10			
	Static friction torque	M_R [Nm]	0.214			0.23			
	Thermal time constant	t_{TH} [min]	40			51			
	Weight flange mount**	G [kg]	6.1			7.4			
	Weight face mount**	G [kg]	6.9			8.2			
	Radial load permitted	F_R [N]	max. 450, (→ # 79)						
	Axial load permitted	F_A [N]	max. 1400, (→ # 79)						
Derating depending on model options for M_0 and I_{0rms} (data evaluation in process)									
	Built-in brake	%	i.p.			i.p.			
	Built-in encoder	%	i.p.			i.p.			
Power cable acc. EN60204-1:2006 Table 6, Column B2									
	Min. cross section	mm ²	1	1	1	1	1	1	1
	Fixed cross section	mm ²	2.5	2.5	2.5	2.5	2.5	2.5	2.5

* Rated data with reference flange Aluminium 254mm * 254mm * 6.35mm

** Cable weight adder (2.5 mm² cable: 0.32 kg/m, 4 mm² cable: 0.41 kg/m)

Data	Symbol [Unit]	AKMH						
		43E	43H	43L	44E	44H	44K	
Electrical data								
	Standstill torque*	M_0 [Nm]	4.56	4.68	4.59	5.64	5.77	5.76
	Standstill current	I_{0rms} [A]	2.68	5.24	10.9	2.79	5.49	9.90
	max. Mains voltage	U_N [VAC]	480					
U_n 320VDC	Rated speed	n_n [rpm]	1500	3000	6000	1200	2500	5000
	Rated torque*	M_n [Nm]	4.15	3.77	2.39	5.13	4.59	3.1
	Rated power	P_n [kW]	0.65	1.18	1.50	0.64	1.20	1.62
U_n 560VDC	Rated speed	n_n [rpm]	2500	6000	6000	2000	5000	6000
	Rated torque*	M_n [Nm]	3.83	2.44	2.39	4.76	3.31	2.55
	Rated power	P_n [kW]	1.00	1.53	1.50	1.00	1.64	1.60
U_n 640VDC	Rated speed	n_n [rpm]	3000	6000	6000	2500	6000	6000
	Rated torque*	M_n [Nm]	3.68	2.44	2.39	4.52	2.58	2.55
	Rated power	P_n [kW]	1.16	1.53	1.50	1.18	1.62	1.60
	Peak current	I_{0max} [A]	13.7	27.2	55.8	14.5	28.1	50.5
	Peak torque	M_{0max} [Nm]	18.3	18.7	18.4	23.5	23.5	23.5
	Torque constant	K_{Trms} [Nm/A]	1.72	0.89	0.42	2.04	1.06	0.59
	Voltage constant	$K_{E rms}$ [mVmin]	111	57.4	27.5	132	68.0	37.8
	Winding resistance	R_{25} [Ω]	8.63	2.12	0.57	8.66	2.25	0.70
	Winding inductance	L [mH]	32.6	8.8	2.0	33.9	9.1	2.8
Mechanical data								
	Rotor moment inertia	J [kgcm ²]	2.09			2.73		
	Pole number		10			10		
	Static friction torque	M_R [Nm]	0.238			0.25		
	Thermal time constant	t_{TH} [min]	63			74		
	Weight flange mount**	G [kg]	8.8			10.2		
	Weight face mount**	G [kg]	9.6			11.0		
	Radial load permitted	F_R [N]	max. 450, (\rightarrow # 79)					
	Axial load permitted	F_A [N]	max. 1400, (\rightarrow # 79)					
Derating depending on model options for M_0 and I_{0rms} (data evaluation in process)								
	Built-in brake	%	i.p.			i.p.		
	Built-in Hiperface DSL	%	i.p.			i.p.		
Power cable acc. EN60204-1:2006 Table 6, Column B2								
	Min. cross section	mm ²	1	1	1.5	1	1	1
	Fixed cross section	mm ²	2.5	2.5	4	2.5	2.5	2.5

* Rated data with reference flange Aluminium 254mm * 254mm * 6.35mm

** Cable weight adder (2.5 mm² cable: 0.32 kg/m, 4 mm² cable: 0.41 kg/m)

Brake data

Holding torque @ 120°C	M_{BR} [Nm]	5.3	Release delay time	t_{BRH} [ms]	75
Operating voltage	U_{BR} [VDC]	24 ± 10 %	Engage delay time	t_{BRI} [ms]	30
Electrical power @ 20°C	P_{BR} [W]	12.8 ± 7 %	Brake weight adder	G_{BR} [kg]	0.63
Moment of inertia	J_{BR} [kgcm ²]	0.09	Typical backlash	[°mech.]	0.37

3.1.5 Technical Data AKMH5

Data	Symbol [Unit]	AKMH							
		51E	51H	51L	52E	52H	52L	52M	
Electrical data									
	Standstill torque*	M_0 [Nm]	3.47	3.39	3.47	6.15	6.29	6.45	6.39
	Standstill current	I_{0rms} [A]	2.38	5.02	10.0	2.43	4.81	9.5	10.7
	max. Mains voltage	U_N [VAC]	480						
$U_n = 320VDC$	Rated speed	n_n [rpm]	1200	3000	5500	—	1800	3500	4500
	Rated torque*	M_n [Nm]	3.28	2.75	1.45	—	5.32	3.53	1.18
	Rated power	P_n [kW]	0.41	0.86	0.84	—	1.00	1.29	0.56
$U_n = 560VDC$	Rated speed	n_n [rpm]	2500	5500	5500	1500	3500	4500	4500
	Rated torque*	M_n [Nm]	2.98	1.41	1.45	5.39	3.44	1.19	1.18
	Rated power	P_n [kW]	0.78	0.81	0.84	0.85	1.26	0.56	0.56
$U_n = 640VDC$	Rated speed	n_n [rpm]	3000	5500	5500	2000	4000	4500	4500
	Rated torque*	M_n [Nm]	2.82	1.41	1.45	5.08	2.44	1.19	1.18
	Rated power	P_n [kW]	0.89	0.81	0.84	1.06	1.02	0.56	0.56
	Peak current	I_{0max} [A]	13.8	30.0	59.5	15.0	29.5	58.0	65.5
	Peak torque	M_{0max} [Nm]	15.0	15.0	15.2	28.9	29.1	29.5	29.4
	Torque constant	K_{Trms} [Nm/A]	1.72	0.8	0.41	2.79	1.44	0.75	0.66
	Voltage constant	K_{Frms} [mVmin]	110	51.3	26.6	179	92.7	48.3	42.4
	Winding resistance	R_{25} [Ω]	9.00	2.00	0.58	8.98	2.37	0.63	0.51
	Winding inductance	L [mH]	36.6	7.9	2.1	44.7	11.9	3.24	2.50
Mechanical data									
	Rotor moment inertia	J [kgcm ²]	3.42			6.22			
	Pole number		10			10			
	Static friction torque	M_R [Nm]	0.622			0.640			
	Thermal time constant	t_{TH} [min]	46			58			
	Weight flange mount**	G [kg]	8.9			11.1			
	Weight face mount**	G [kg]	10.4			13.6			
	Radial load permitted	F_R [N]	max. 635, (→ # 81)						
	Axial load permitted	F_A [N]	max. 1740, (→ # 81)						
Derating depending on model options for M_0 and I_{0rms} (data evaluation in process)									
	Built-in brake	%	i.p.			i.p.			
	Built-in encoder	%	i.p.			i.p.			
Power cable acc. EN60204-1:2006 Table 6, Column B2									
	Min. cross section	mm ²	1	1	1	1	1	1	1.5
	Fixed cross section	mm ²	2.5	2.5	4	2.5	2.5	4	4

* Rated data with reference flange Aluminium 305mm * 305mm * 12.7mm

** cable weight adder (2.5 mm² cable: 0.32 kg/m, 4 mm² cable: 0.41 kg/m)

Data	Symbol [Unit]	AKMH						
		53H	53L	53P	54H	54L	54P	
Electrical data								
	Standstill torque*	M_0 [Nm]	8.60	8.68	8.49	10.5	10.4	10.6
	Standstill current	I_{0rms} [A]	5.29	9.43	15.2	4.12	9.29	14.5
	max. Mains voltage	U_N [VAC]	480					
U_n 320VDC	Rated speed	n_n [rpm]	—	3000	3500	1000	2500	3000
	Rated torque*	M_n [Nm]	—	4.09	2.09	9.31	5.13	2.52
	Rated power	P_n [kW]	—	1.28	0.77	3.00	1.34	0.79
U_n 560VDC	Rated speed	n_n [rpm]	3000	3500	3500	1800	3000	3000
	Rated torque*	M_n [Nm]	4.06	2.14	2.09	7.62	2.47	2.52
	Rated power	P_n [kW]	1.28	0.78	0.77	1.44	0.78	0.79
U_n 640VDC	Rated speed	n_n [rpm]	3500	3500	3500	2000	3000	3000
	Rated torque*	M_n [Nm]	2.12	2.14	2.09	7.09	2.47	2.52
	Rated power	P_n [kW]	0.78	0.78	0.77	1.48	0.78	0.79
	Peak current	I_{0max} [A]	33.0	59.0	95.5	27.5	62.5	98.0
	Peak torque	M_{0max} [Nm]	41.8	42.0	41.7	53.3	53.3	55.1
	Torque constant	K_{Tms} [Nm/A]	1.75	0.99	0.60	2.57	1.13	0.74
	Voltage constant	K_{Fms} [mVmin]	112	63.9	38.4	166	72.9	47.3
	Winding resistance	R_{25} [Ω]	2.12	0.71	0.30	3.22	0.67	0.32
	Winding inductance	L [mH]	11.4	3.64	1.30	18.3	3.5	1.5
Mechanical data								
	Rotor moment inertia	J [kgcm ²]	9.12			11.92		
	Pole number		10			10		
	Static friction torque	M_R [Nm]	0.658			0.677		
	Thermal time constant	t_{TH} [min]	69			80		
	Weight flange mount**	G [kg]	13.4			15.7		
	Weight face mount**	G [kg]	14.9			17.2		
	Radial load permitted	F_R [N]	max. 635, (\rightarrow # 81)					
	Axial load permitted	F_A [N]	max. 1740, (\rightarrow # 81)					
Derating depending on model options for M_0 and I_{0rms} (data evaluation in process)								
	Built-in brake	%	i.p.			i.p.		
	Built-in Hiperface DSL	%	i.p.			i.p.		
Power cable acc. EN60204-1:2006 Table 6, Column B2								
	Min. cross section	mm ²	1	1	2.5	1	1.5	2.5
	Fixed cross section	mm ²	2.5	4	4	2.5	4	4

* Rated data with reference flange Aluminium 305mm * 305mm * 12.7mm

** cable weight adder (2.5 mm² cable: 0.32 kg/m, 4 mm² cable: 0.41 kg/m)

Brake data

Holding torque @ 120°C	M_{BR} [Nm]	14.5	Release delay time	t_{BRH} [ms]	115
Operating voltage	U_{BR} [VDC]	24 ± 10 %	Engage delay time	t_{BRI} [ms]	30
Electrical power @ 20°C	P_{BR} [W]	19.5 ± 7 %	Brake weight adder	G_{BR} [kg]	1.1
Moment of inertia	J_{BR} [kgcm ²]	0.214	Typical backlash	[°mech.]	0.31

3.1.6 Technical Data AKMH6

Data	Symbol [Unit]	AKMH												
		62H	62L	62M	63H	63L	63M	64K	64L	65K	65L	65M		
Electrical data														
	Standstill torque*	M_0 [Nm]	10.6	10.8	10.9	14.6	14.8	15.0	18.7	19.0	21.9	22.2	22.2	
	Standstill current	I_{0rms} [A]	5.3	11.9	13.1	5.2	10.6	13.0	8.7	12.1	9.1	11.1	12.6	
	max. Mains voltage	U_N [VAC]	480											
U_n 320VDC	Rated speed	n_n [rpm]	1000	2500	3000	—	1800	2000	1200	1500	1000	1300	1500	
	Rated torque*	M_n [Nm]	10.5	9.6	9.1	—	13.4	13.3	17.1	16.8	20.1	19.7	19.4	
	Rated power	P_n [kW]	1.10	2.52	2.86	—	2.53	2.79	2.15	2.64	2.12	2.68	3.44	
U_n 560VDC	Rated speed	n_n [rpm]	1800	5000	5500	1500	3000	4000	2000	3000	2000	2500	2700	
	Rated torque*	M_n [Nm]	9.93	4.95	3.33	13.6	11.1	7.9	15.6	12.5	17.7	16.0	15.1	
	Rated power	P_n [kW]	1.87	2.59	1.92	2.14	3.49	3.31	3.27	3.93	3.71	4.19	4.27	
U_n 640VDC	Rated speed	n_n [rpm]	2000	5500	5500	1800	3500	4500	2500	3500	2200	2800	3000	
	Rated torque*	M_n [Nm]	9.86	3.31	3.33	13.2	9.6	5.7	14.2	10.0	17.1	14.5	13.5	
	Rated power	P_n [kW]	2.07	1.91	1.92	2.49	3.52	2.69	3.72	3.67	3.94	4.25	5.69	
	Peak current	I_{0max} [A]	27.1	60.0	67.0	28.0	55.4	69.0	46	64	49	61	68	
	Peak torque	M_{0max} [Nm]	39.8	40.1	40.2	57.9	58.4	58.8	75.1	75.6	91.4	92	92	
	Torque constant	K_{Trms} [Nm/A]	2.2	1.00	0.91	3.00	1.50	1.24	2.28	1.66	2.54	2.1	1.85	
	Voltage constant	K_{Erms} [mV/min]	142.1	65.5	58.8	194.5	98.2	79.9	147	107	164	133	119	
	Winding resistance	R_{25} [Ω]	3.320	0.757	0.587	3.45	0.957	0.627	1.43	0.767	1.35	1.07	0.747	
	Winding inductance	L [mH]	25.4	5.40	4.40	28.1	7.4	4.9	11.8	6.2	11.4	7.6	6.1	
Mechanical data														
	Rotor moment of inertia	J [kgcm ²]	16.9			24.2			31.6			40		
	Pole number	-	10			10			10			10		
	Static friction torque	M_R [Nm]	1.05			1.1			1.15			1.2		
	Thermal time constant	t_{TH} [min]	58			62			75			88		
	Weight flange mounting**	G [kg]	19.6			23.1			26.7			30.2		
	Weight face mounting**	G [kg]	22.1			25.6			29.2			32.7		
	Radial load permitted	F_R [N]	max. 1250, (→ # 83)											
	Axial load permitted	F_A [N]	max. 2200, (→ # 83)											
Derating depending on model options for M_0 and I_{0rms} (data evaluation in process)														
	Built-in brake	%	i.p.			i.p.			i.p.			i.p.		
	Built-in encoder	%	i.p.			i.p.			i.p.			i.p.		
Power cable acc. EN60204-1:2006 Table 6, Column B2														
	Minimum cross section	mm ²	1	1.5	1.5	1	1.5	1.5	1	1.5	1	1.5	1.5	
	Fixed cable cross section	mm ²	2.5	4	4	2.5	4	4	2.5	4	2.5	4	4	

* Rated data with reference flange Aluminium 457mm * 457mm * 12.7mm

** Cable weight adder (2.5 mm² cable: 0.32 kg/m, 4 mm² cable: 0.41 kg/m)

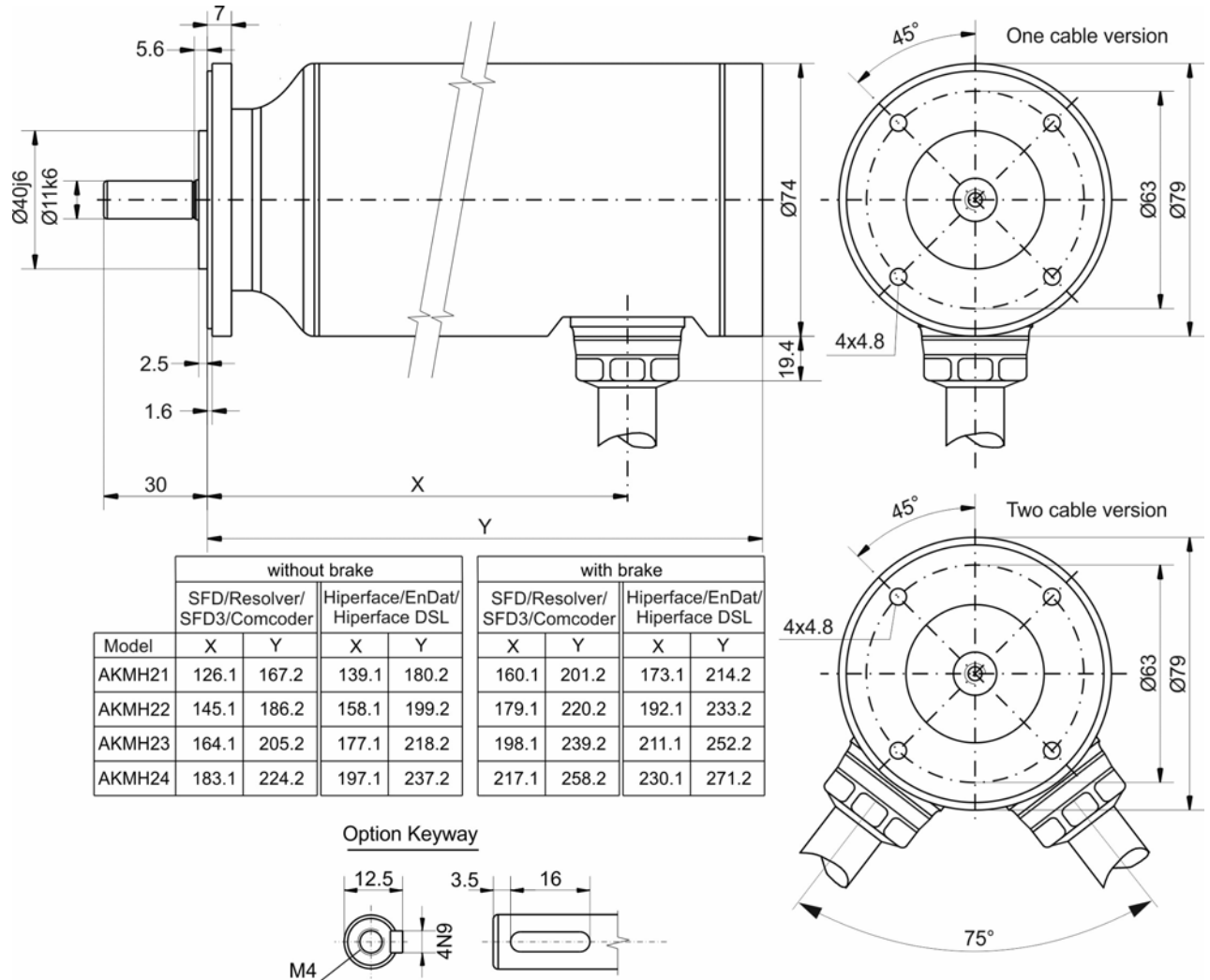
Brake data

Holding torque @ 120°C	M_{BR} [Nm]	25	Release delay time	t_{BRH} [ms]	155
Operating voltage	U_{BR} [VDC]	24 ± 10 %	Engage delay time	t_{BRI} [ms]	40
Electrical power @ 20°C	P_{BR} [W]	25.7 ± 7 %	Brake weight adder	G_{BR} [kg]	2
Moment of inertia	J_{BR} [kgcm ²]	0.717	Typical backlash	[°mech.]	0.24

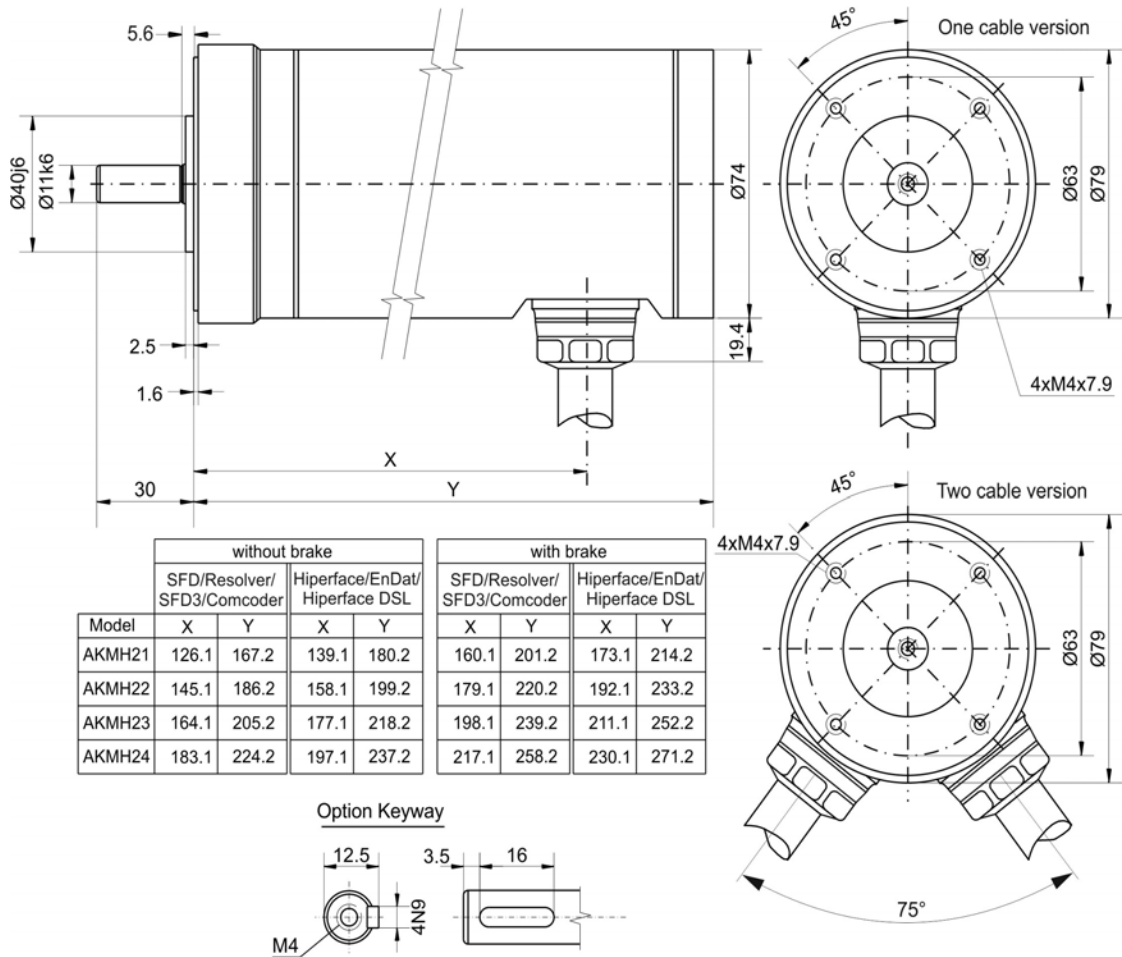
3.2 Dimension drawings

All drawings are drawings in principle (not scaled). 3D Models are available from www.kollmorgen.com.

3.2.1 Dimensions AKMH2 (Ax flanges)

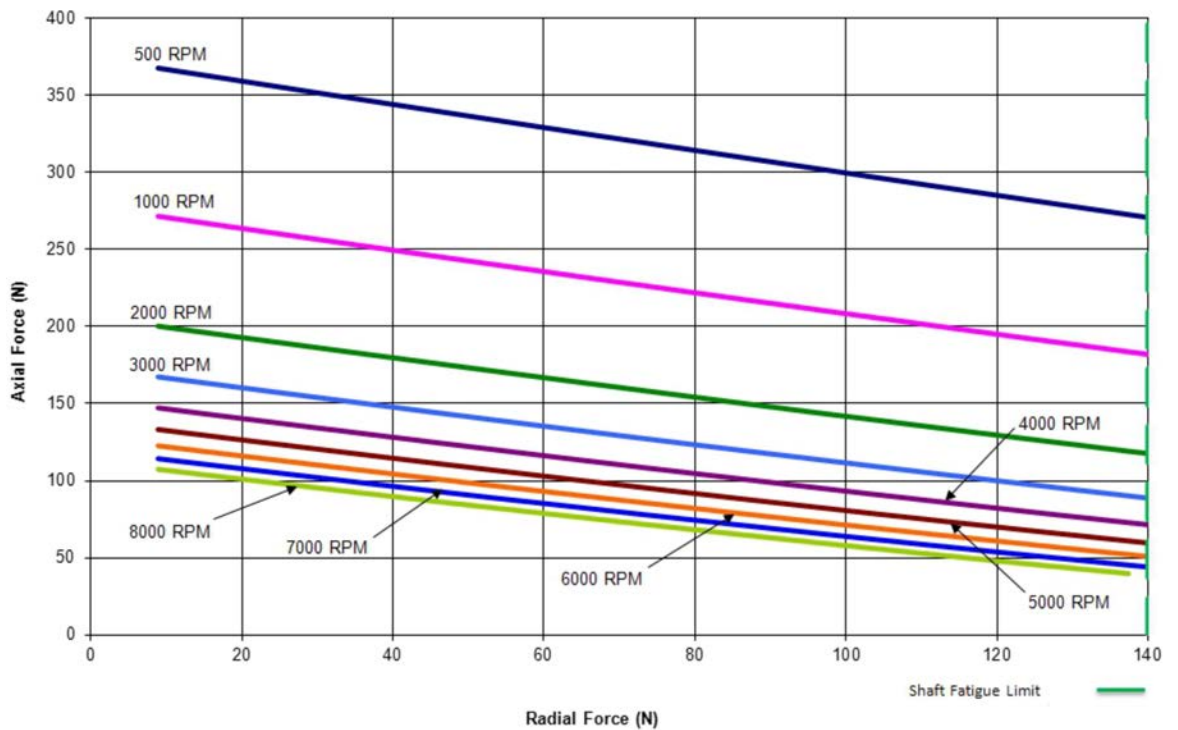


3.2.2 Dimensions AKMH2 (Cx flanges)

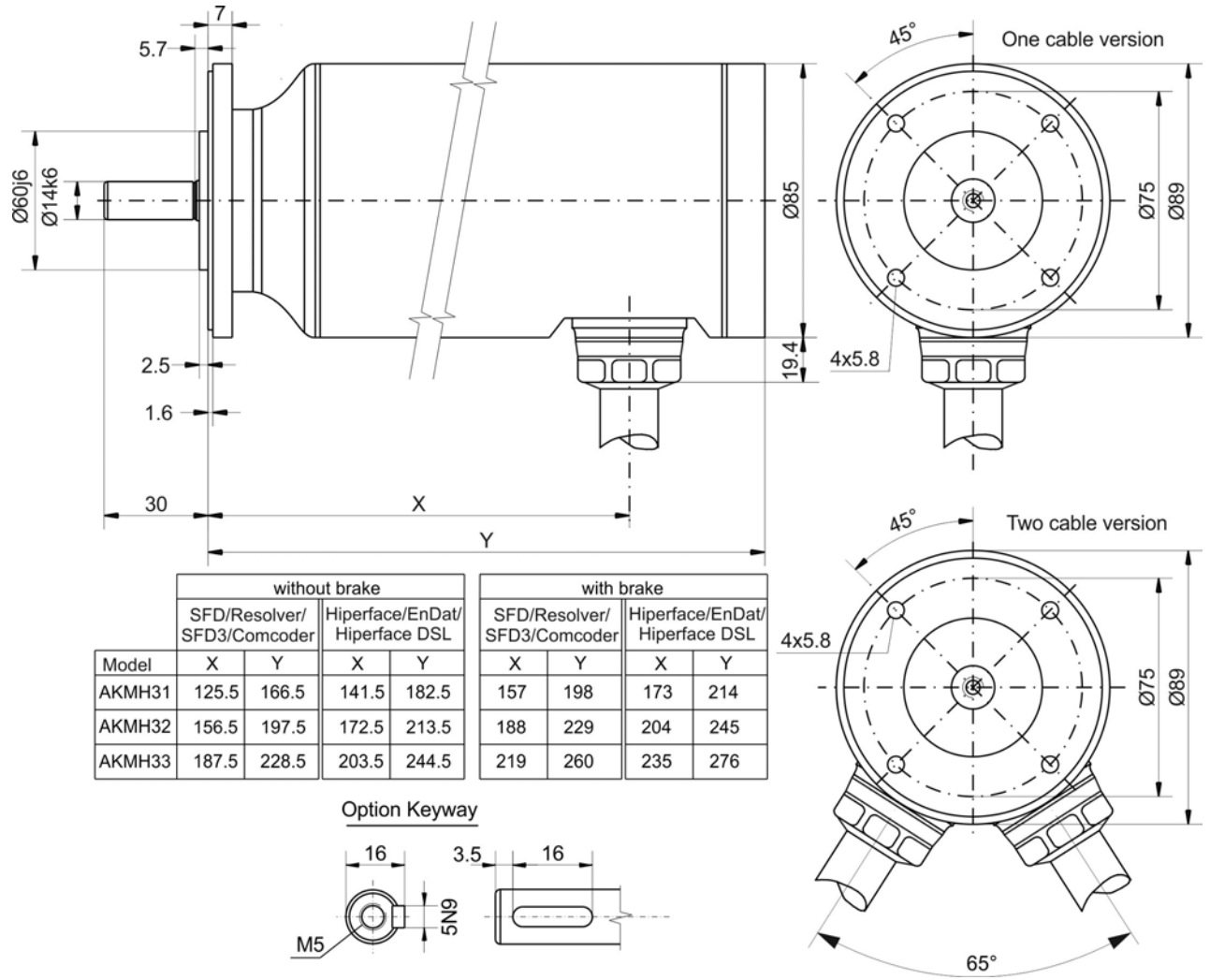


3.2.3 Radial/axial forces AKMH2

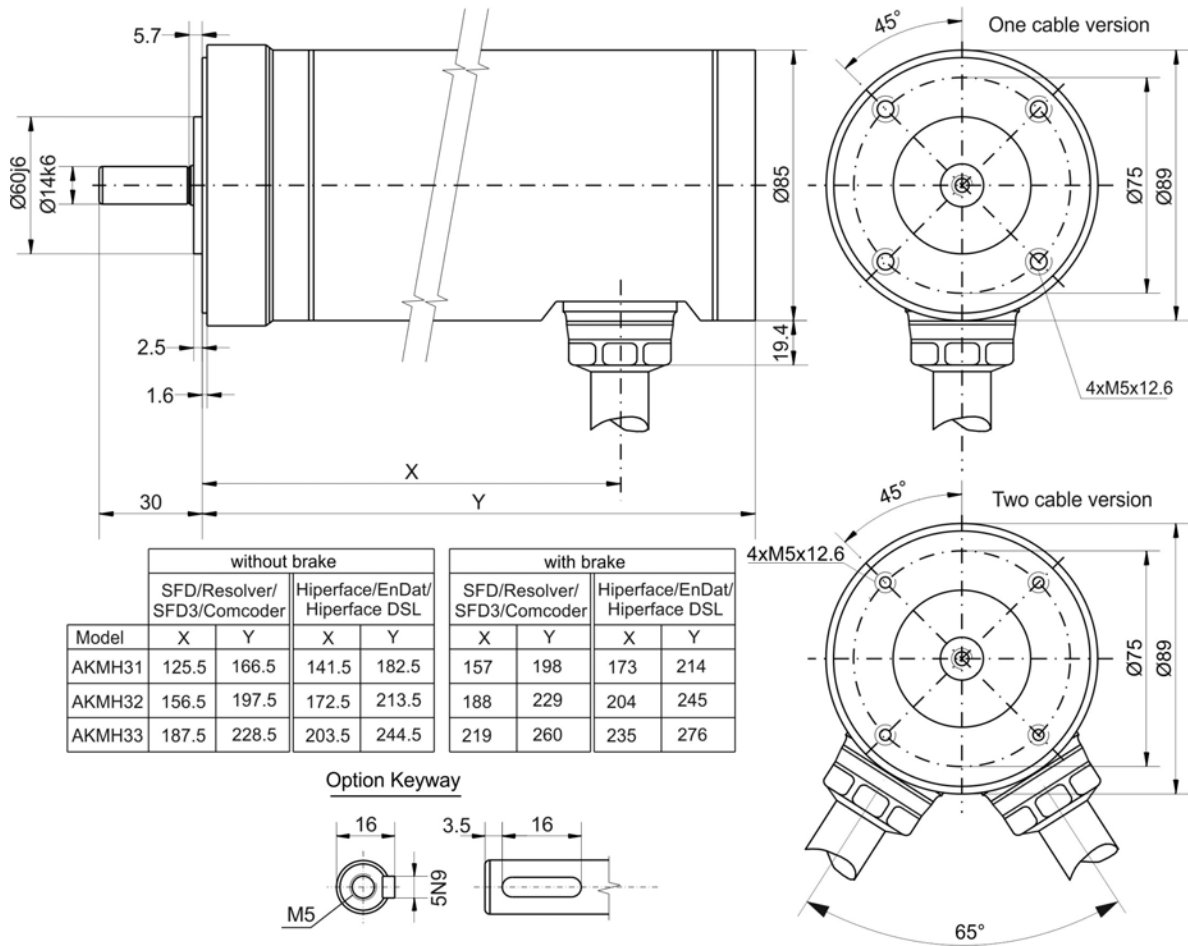
Radial Force at shaft end



3.2.4 Dimensions AKMH3 (Ax flanges)

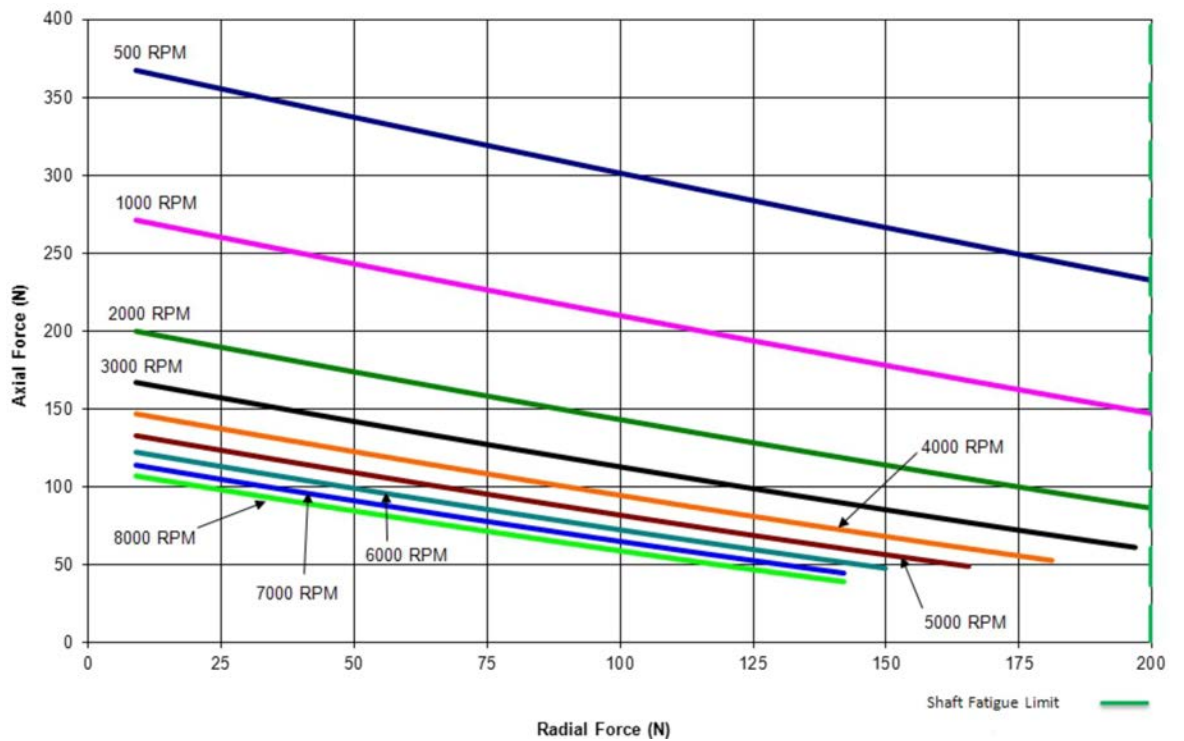


3.2.5 Dimensions AKMH3 (Cx flanges)

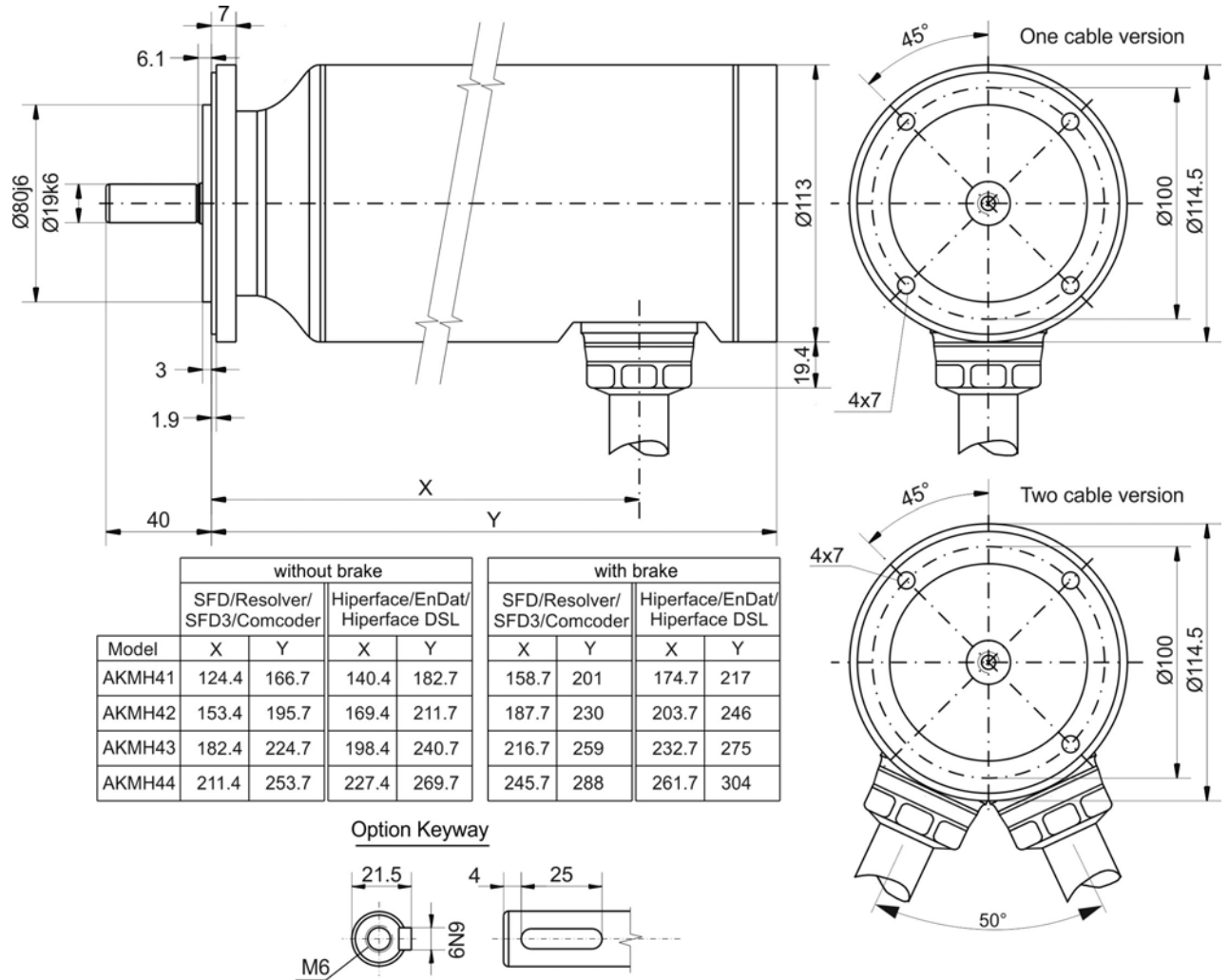


3.2.6 Radial/axial forces AKMH3

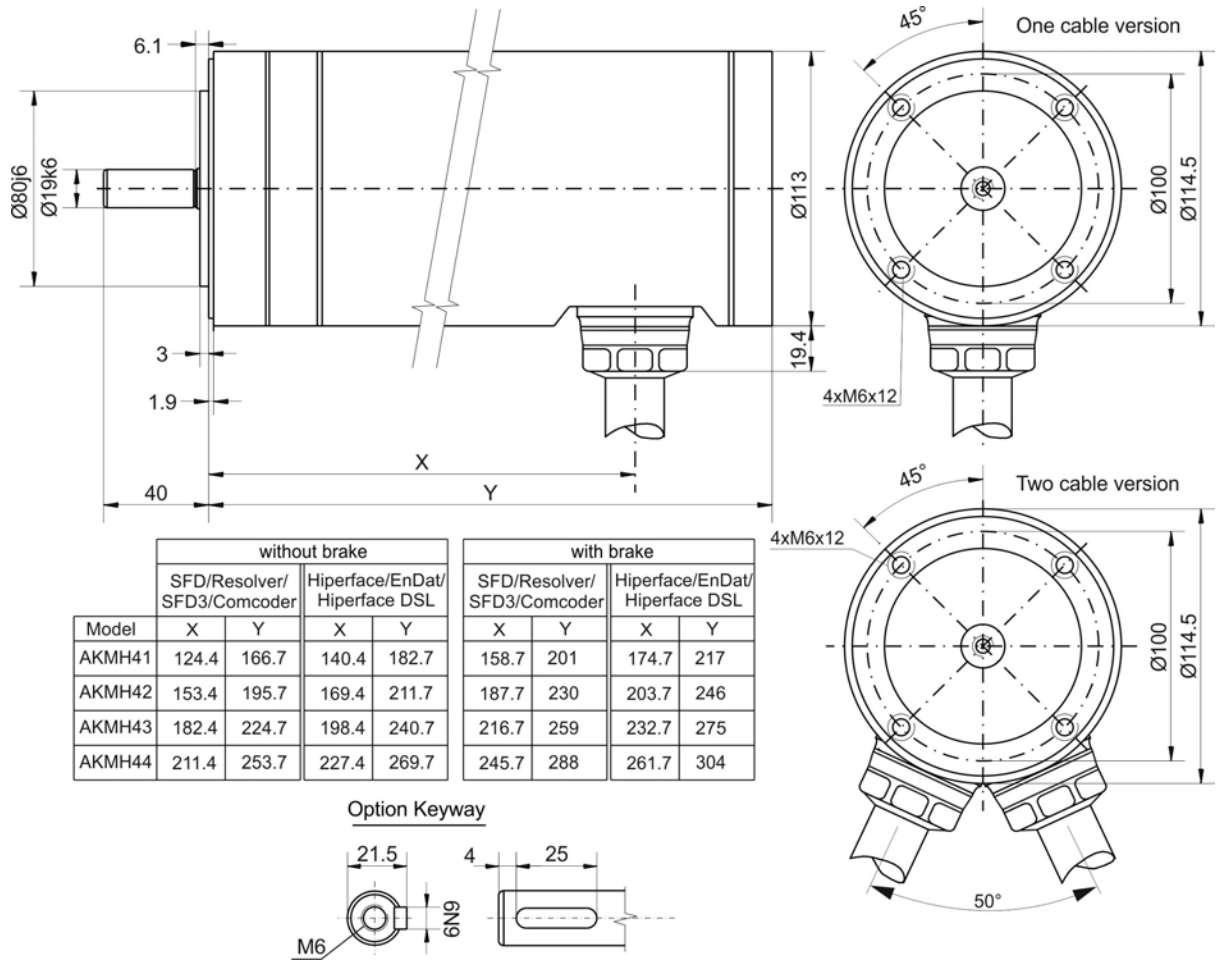
Radial Force at shaft end



3.2.7 Dimensions AKMH4 (Ax flanges)

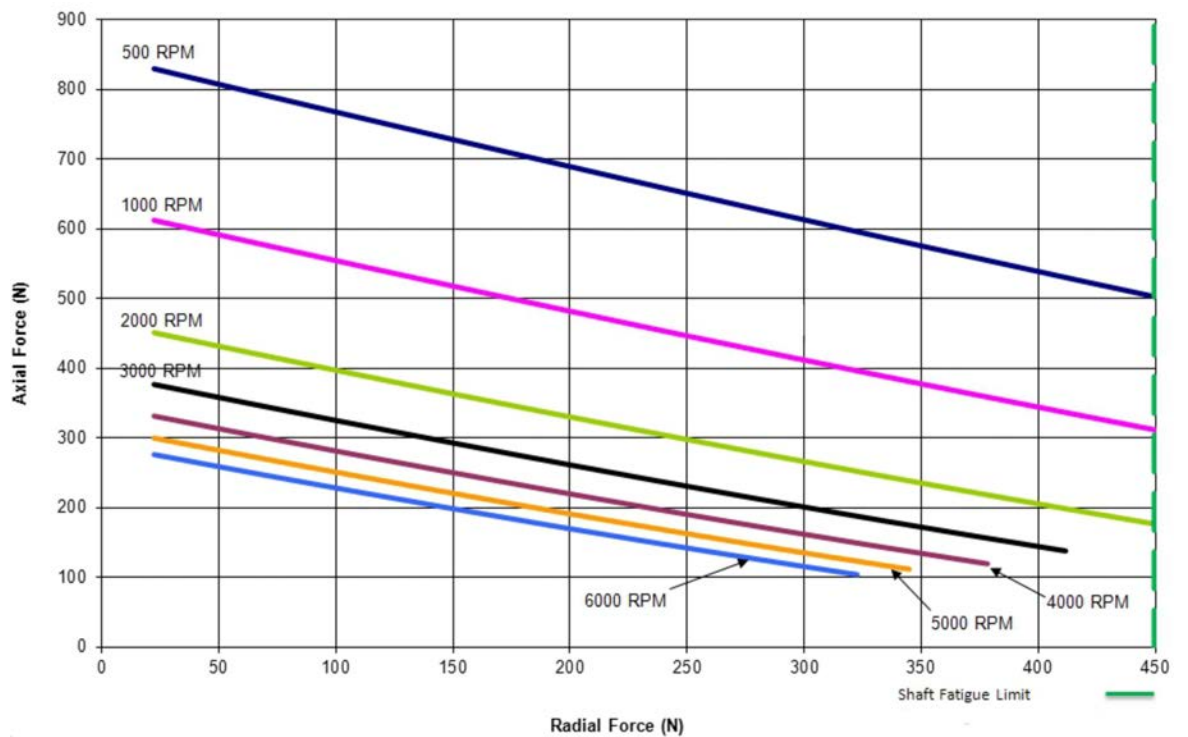


3.2.8 Dimensions AKMH4 (Cx flanges)

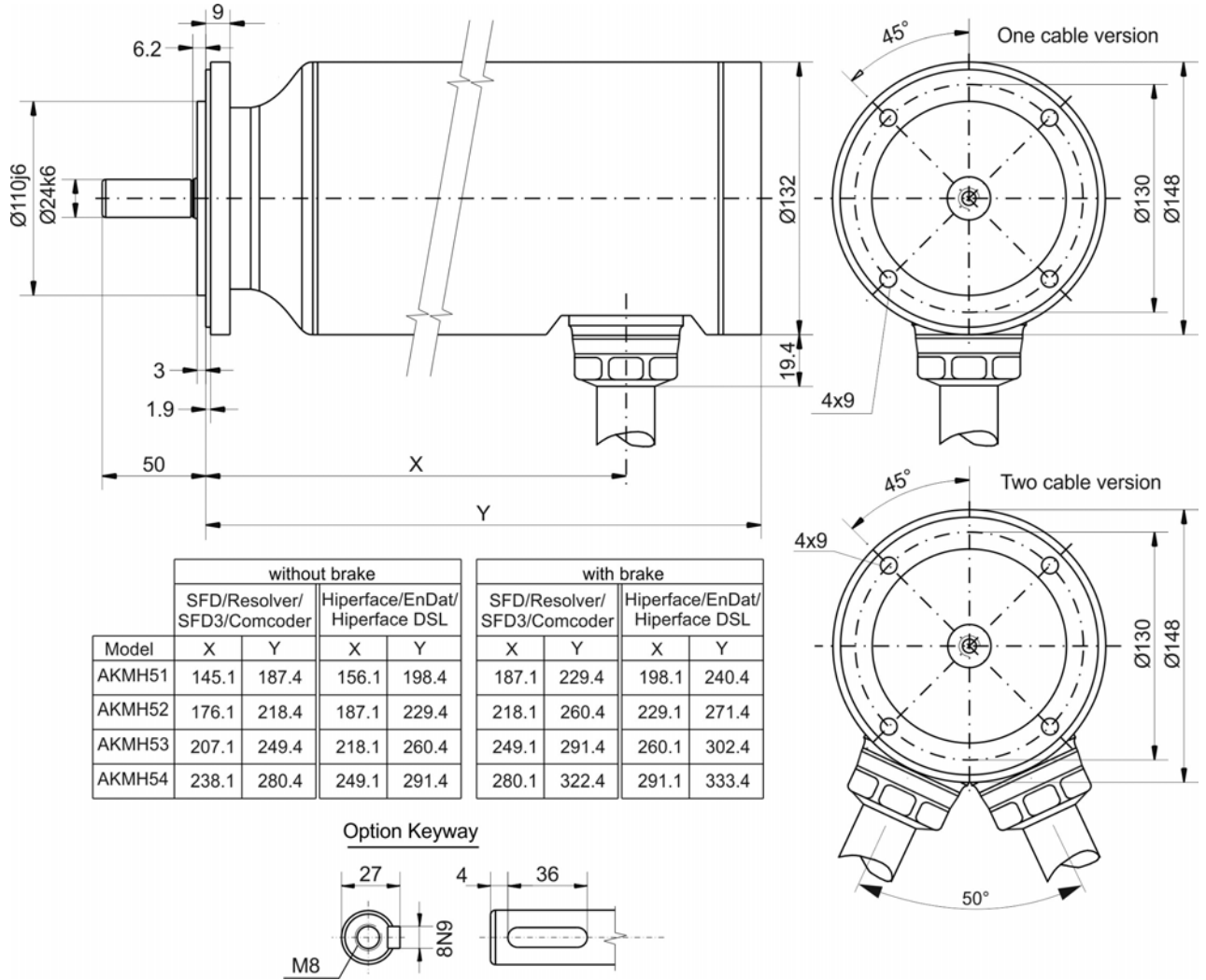


3.2.9 Radial/axial forces AKMH4

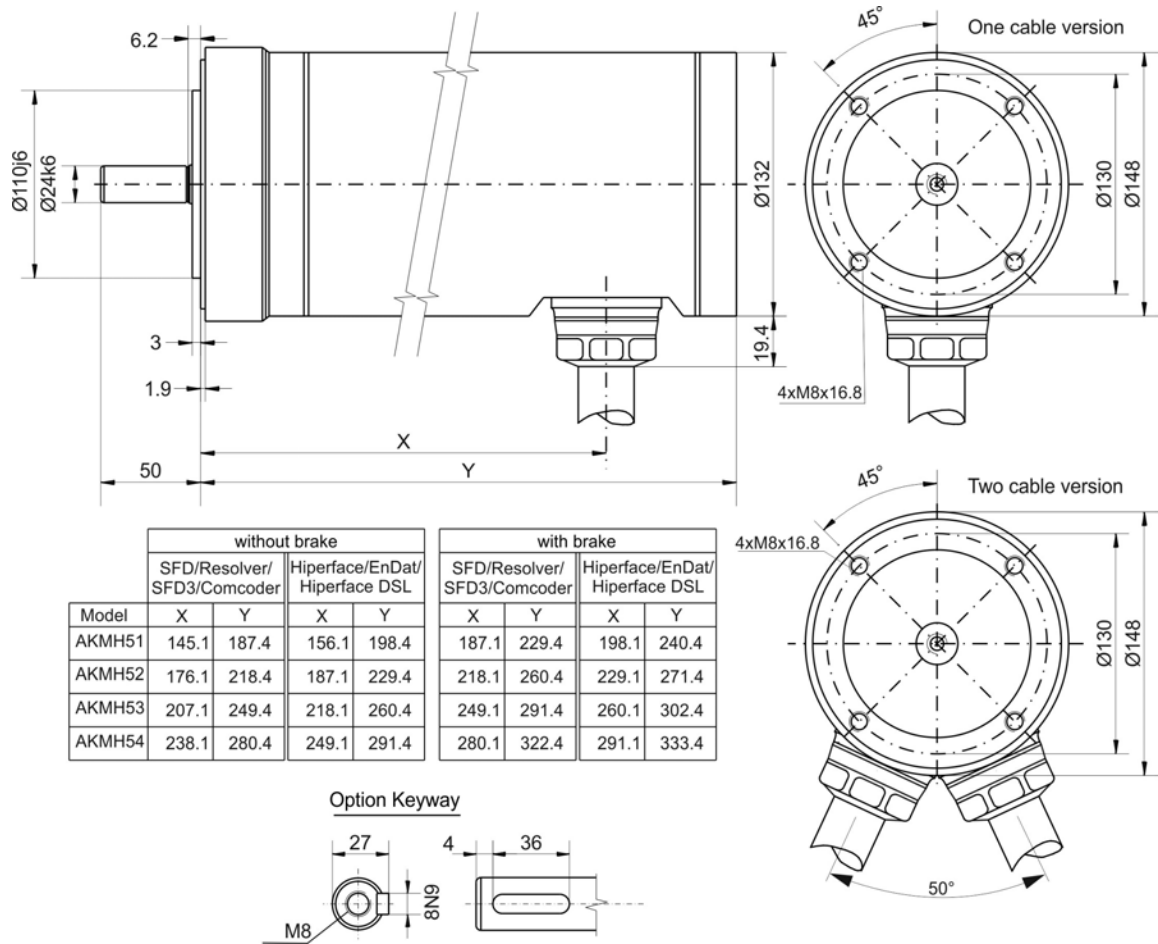
Radial Force at shaft end



3.2.10 Dimensions AKMH5 (Ax flanges)

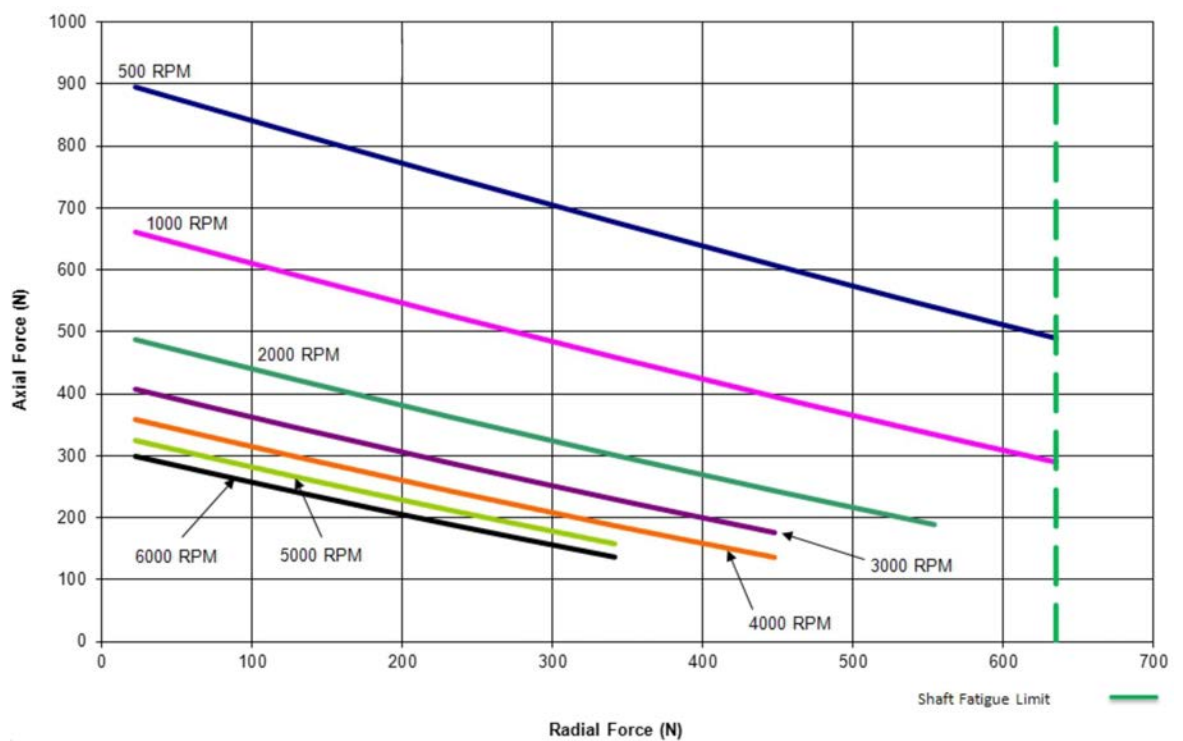


3.2.11 Dimensions AKMH5 (Cx flanges)

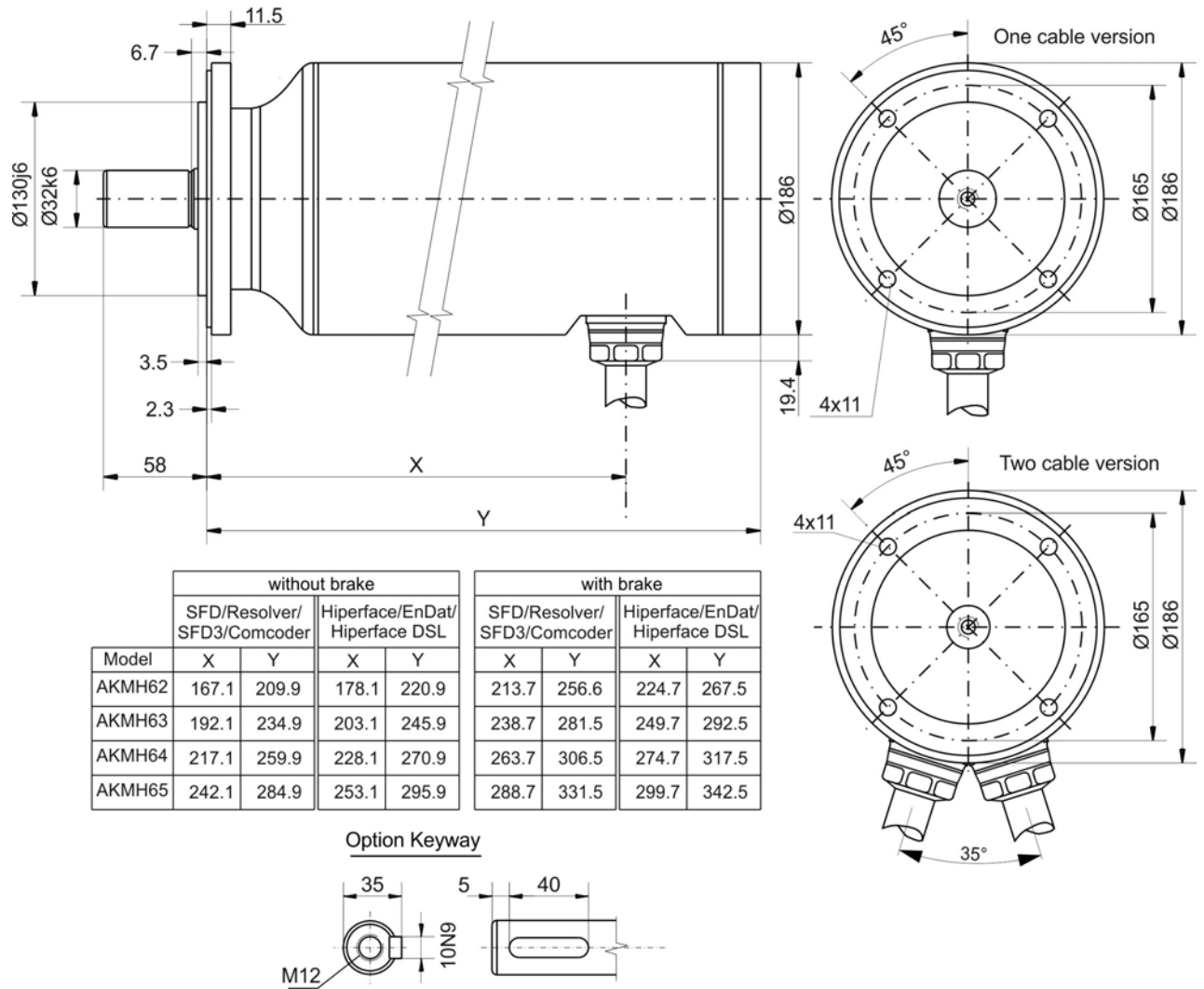


3.2.12 Radial /axial forces AKMH5

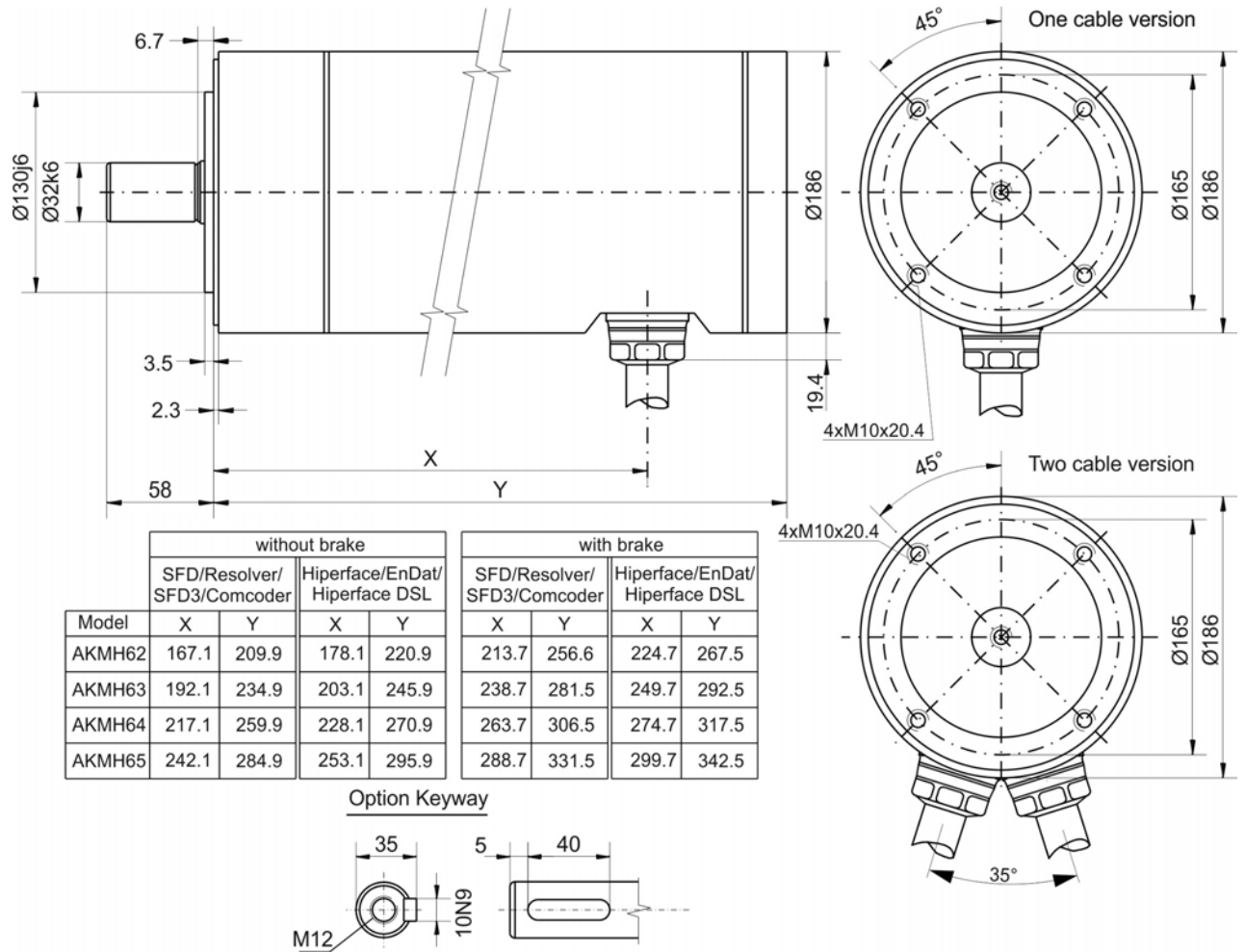
Radial Force at shaft end



3.2.13 Dimensions AKMH6 (Ax flanges)

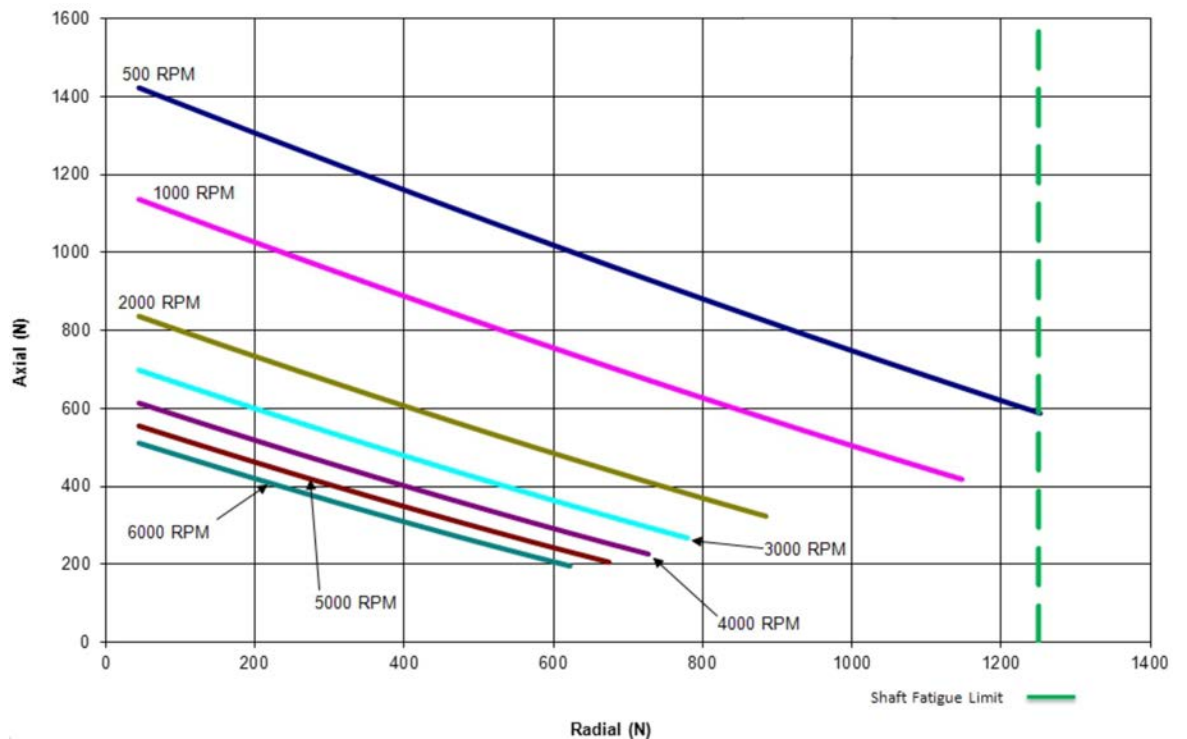


3.2.14 Dimensions AKMH6 (Cx flanges)



3.2.15 Radial/axial forces AKMH6

Radial Force at shaft end



3.3 Connector Pinout

All connector views: facing front. Abbreviations used :

U	Motor phase U	BR	Motor holding brake	Us	Sensor Voltage supply
V	Motor phase V	TH	Thermal sensor	GND	Ground for Sensor Voltage supply
W	Motor phase W	Z	Zero pulse		
PE	Protection Earth	n.c.	not connected		

3.3.1 Connection codes B,G,V,W: AKMH2 - AKMH6 Single hybrid cable - Vented stainless steel and non-stainless steel connector

3.3.1.1 Power & SFD3 & HIPERFACE DSL Encoder & brake AKMH2 - AKMH6 (Feedback codes CA, GE, GF)

	Pin	Function	Pin	Function
	1	U	A	BR+
		PE	B	BR-
	3	W	C	COM-
	4	V	D	COM+

3.3.2 Connection codes K,T: AKMH2 - AKMH6 Single hybrid cable - Flying leads

3.3.2.1 Power & brake AKMH2 - AKMH6 (Feedback codes CA, GE, GF)

Function	Color
Phase U	Blue
Phase V	Brown
Phase W	Black
Ground	Green/Yellow
BR+	Red
BR-	Black (Blue)

3.3.2.2 Power AKMH2 - AKMH6 (Feedback code C-)

Function	Color
Phase U	Blue
Phase V	Brown
Phase W	Black
Ground	Green/Yellow

3.3.2.3 SFD, SFD3 AKMH2 - AKMH6 (Feedback code C-,CA)

Pin	Function
4	SEN+
5	SEN-
6	COM+
7	COM-
10	Us
11	GND

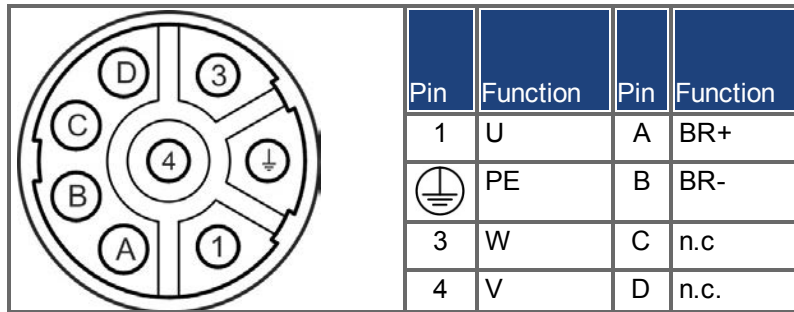
3.3.2.4 HIPERFACE DSL Encoder AKMH2 - AKMH6 (Feedback code GE,GF)

Pin	Function
6	COM+
7	COM-
10	Us
11	GND

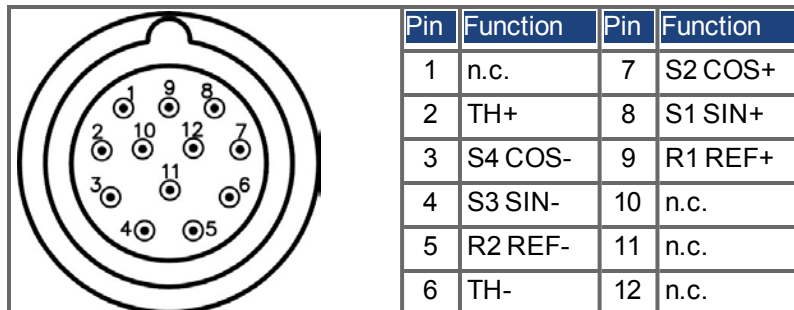
3.3.3 Connection codes B,G,V,W: AKMH2 - AKMH6 Dual cable - Vented stainless and non-stainless steel connectors

3.3.3.1 Power AKMH2 - AKMH6

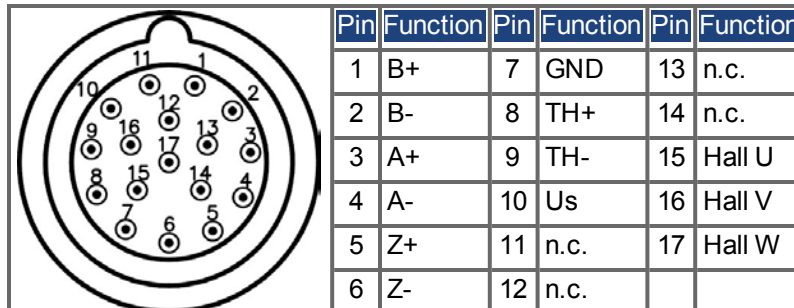
Combined Power & Brake connector for AKMH2 - AKMH6



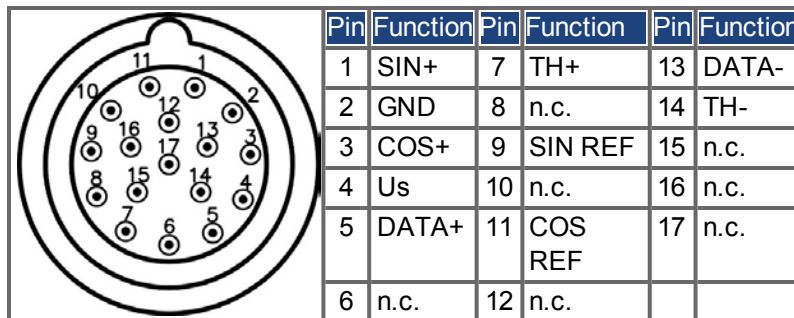
3.3.3.2 Resolver AKMH2 - AKMH6 (Feedback code R-)



3.3.3.3 Comcoder AKMH2 - AKMH6 (Feedback code 2-)



3.3.3.4 HIPERFACE Encoder AKMH2 - AKMH6 (Feedback codes GA, GB)



3.3.3.5 HIPERFACE Encoder AKMH4 - AKMH6 (Feedback codes GG, GH)

Pin	Function	Pin	Function	Pin	Function
1	SIN+	7	TH+	13	DATA-
2	GND	8	n.c.	14	TH-
3	COS+	9	SIN REF	15	n.c.
4	Us	10	n.c.	16	n.c.
5	DATA+	11	COS REF	17	n.c.
6	n.c.	12	n.c.		

3.3.3.6 EnDat 2.1 Encoder AKMH2 - AKMH6 (Feedback codes DA, DB, LA, LB)

Pin	Function	Pin	Function	Pin	Function
1	B-	7	TH+	13	DATA-
2	GND	8	CLOCK+	14	TH-
3	A-	9	B+	15	CLOCK-
4	Us	10	n.c.	16	n.c.
5	DATA+	11	A+	17	n.c.
6	n.c.	12	n.c.		

3.3.4 Connection codes L,M: AKMH2 - AKMH6 Flying leads - Dual cables

3.3.4.1 Power AKMH2 - AKMH6

Combined Power & Brake AKMH2 - AKMH6

Function	Color
Phase U	Blue
Phase V	Brown
Phase W	Black
Ground	Green/Yellow
BR+	Red
BR-	Blue

3.3.4.2 Resolver AKMH2 - AKMH6 (Feedback code R-)

Function	Color	Function	Color
TH+	Violet	TH-	Black
S4 COS-	Green	S2 COS+	Yellow
S3 SIN-	Pink	S1 SIN+	Grey
R2 REF-	White	R1 REF+	Brown

3.3.4.3 Comcoder AKMH2 - AKMH6 (Feedback code 2-)

Function	Color	Function	Color
B+	Pink	TH+	Violet
B-	Grey	TH-	Black
A+	White	Up	Red
A-	Brown	Hall U	White/Green
Z+	Green	Hall V	White/Yellow
Z-	Yellow	Hall W	Grey/Pink
GND	Blue		

3.3.4.4 HIPERFACE & HIPERFACE DSL Encoder AKMH2 - AKMH6 (Feedback codes GA, GB, GE, GF, GG, GH)

Function	Color	Function	Color
SIN+	White	TH+	Violet
GND	Blue	REF SIN	Brown
COS+	Pink	REF COS	Grey
Up	Red	DATA-	Green
DATA+	Yellow	TH-	Black

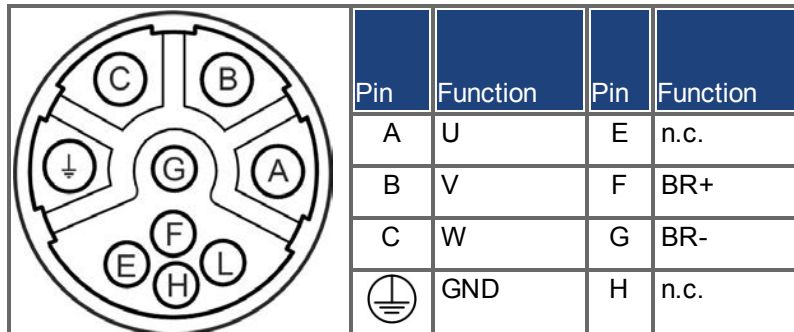
3.3.4.5 EnDat 2.1 Encoder AKMH2 - AKMH6 (Feedback codes DA, DB, LA, LB)

Function	Color	Function	Color
B-	White	CLOCK+	White/Green
GND	Blue	B+	Brown
A-	Pink	A+	Grey
Us	Red	DATA-	Green
DATA+	Yellow	TH-	Black
TH+	Violet	CLOCK-	Brown/Green

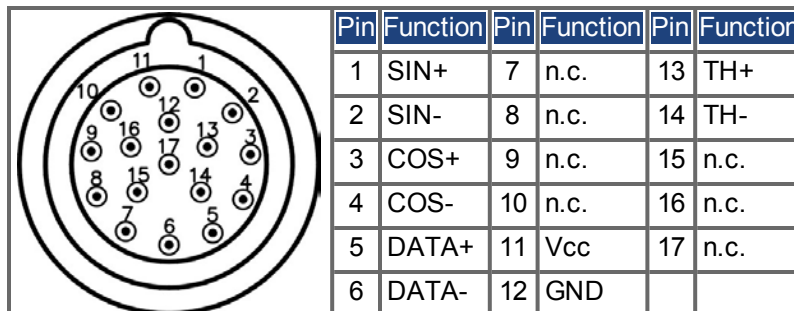
3.3.5 Connection code R: AKMH2 - AKMH6 Dual cable - Vented non-stainless steel connector

3.3.5.1 Power AKMH2 - AKMH6

Combined Power & Brake connector for AKMH2 - AKMH6





3.3.5.2 HIPERFACE Encoder AKMH4 - AKMH6 (Feedback codes GG, GH)



3.4 Approvals

3.4.1 EC Declaration of Conformity

EU Declaration of Conformity	KOLLMORGEN
Manufacturer:	
Kollmorgen, s.r.o. Evropská 864 664 42 Modřice Czech Republic	
This Declaration of Conformity is issued under the sole responsibility of the manufacturer for	
Product family:	
Servomotor series AKMHxyz (types x = 2...6 and y = 1...5 and z = A...Z)	
Compliance of the product family is verified by the following Directives:	
<ul style="list-style-type: none"> • 2014/30/EU Electromagnetic Compatibility (EMC) Directive 	
Conformity is assured through the application of the following standard:	
<ul style="list-style-type: none"> - EN 61800-3: 2004 + A1: 2012 Adjustable speed electrical power drive systems - Part 3: EMC requirements and specific test methods 	
<ul style="list-style-type: none"> • 2014/35/EU Low Voltage Directive 	
Conformity is assured through the application of the following standards:	
<ul style="list-style-type: none"> - EN 61800-5-1: 2007 Adjustable speed electrical power drive systems - Part 5-1: Safety requirements - Electrical, thermal and energy - EN 60034-1: 2010 Rotating electrical machines - Part 1: Rating and performance - EN 60034-5: 2001 + A1: 2007 Rotating electrical machines - Part 5: Degrees of protection provided by the integral design of rotating electrical machines (IP code) – Classification - EN 60529: 1991 + A1: 2000 + A2: 2013 Degrees of protection provided by enclosures (IP code) 	
<ul style="list-style-type: none"> • 2011/65/EU RoHS Directive on the restriction of the use of certain hazardous substances in electrical and electronic equipment 	
First attachment of  marking: 03	
Signed for and on behalf of:	
Jaroslav Zatloukal Engineering Director Motors EU Modřice 21.04.2016	
This Declaration of Conformity loses its validity by reason of changing our motors without our agreement. This Declaration does not contain any assurance of properties in the meaning of product liability.	
Before operating the motor, the observance of the regulation EN 60204-1 and safety instructions stated in the Instructions manual must be complied with. The notes on safety and protection in the operating instructions must always be observed.	
The above-mentioned company has the following technical documentation for examination:	
<ul style="list-style-type: none"> - Proper operating instructions - Diagrams (for EU authority only) - Test certificates (for EU authority only) - Other technical documentation (for EU authority only) 	
The special technical product documentation has been created.	
Responsible person for documentation: Tomáš Ondrák, Phone.: +420 533 314 403	

3.4.2 Hygienic Standards, Declaration of Conformity

Declaration of Conformity with Hygienic standards

We, the company

KOLLMORGEN Europe GmbH
Pempelfurtstraße 1
D-40880 Ratingen

hereby in sole responsibility declare the conformity of the product series

Motor series AKMHyz (types x=2...6 and y=1...5 and z=A...W)

with the requirements of the related hygienic standards:

- DIN EN ISO 14159
- DIN EN 1672-2

Motors become to Hygienic level 3 according the Annex A according to DIN EN ISO 14159. Evidence to above mentioned standards is available upon request.

Year of EC-Declaration 2013

Issued by: Lead Engineer
 Martin Nesvadba, Ph.D.
 Ratingen 17.12.2013

Legally valid signature



The special technical product documentation has been created.
Responsible person for documentation: Martin Nesvadba, Phone.: +420 533 314 999

3.4.3 USDA Certification

<p>UNITED STATES DEPARTMENT OF AGRICULTURE MARKETING AND REGULATORY PROGRAMS AGRICULTURAL MARKETING SERVICE</p> <p>EQUIPMENT ACCEPTANCE CERTIFICATE</p>	
Firm:	<p>Kollmorgen 201 West Rock Road Radford, Virginia 24141</p>
Model Designation:	<p>Servo Motors AKMHxxx-xxKxxxx, AKMHxxx-xxTxxxx (All x's represent alternative options that have been reviewed and accepted) <i>These motors are suited for product splash zones and wash down applications.</i></p>
<u>August 04, 2014</u> Date of Issuance	 <p>U.S. Department of Agriculture Marketing and Regulatory Programs Agricultural Marketing Service Dairy Grading Branch 1400 Independence Ave., SW Washington, DC 20250-0230</p>
<u>August 03, 2019</u> Date of Expiration	
<p>The issuance of this form is based on U.S. Department of Agriculture, Dairy Grading Branch, Equipment Design Review Section, evaluation of the equipment listed above for compliance with:</p> <p>NSF/ANSI/3-A 14159-1 - 2010 Hygiene Requirements for the Design of Meat and Poultry Processing Equipment</p> <p>This form does not limit USDA's responsibility to take appropriate action in cases in which evidence of non-compliance, improper maintenance, or non-sanitary conditions have been observed.</p>	
 <p>United States Department of Agriculture</p>	
<p>DA-161 (09-04) Destroy previous editions.</p>	

3.4.4 Underwriters Laboratories

Recognized for UL and Canada in File E61960.

3.4.5 BISSC Certification

For BISSC certification, please, visit bissc-listing.aspx

3.4.6 NSF Certification



3.4.7 FDA Materials, Declaration of Conformity

KOLLMORGEN

201 Rock Road
 Radford, Virginia 24141
 Phone: 540-639-9046
 Fax: 540-731-0847

AKMH FDA Materials List

Kollmorgen Corporation ("Kollmorgen") declares that the product(s) listed below, to the present and best of our knowledge, and based on information available to us from our suppliers, offered are constructed with external materials that are compliant to FDA specifications.

Product Models: **AKMHxxx-xxTxxxxK**

Shaft / Housing material: 316L / 1.4404

Materials complying with FDA 21 CFR 177.2600: all o-rings, gaskets, tubing.

Materials complying with FDA 21 CFR 177.1550: PTFE used in the shaft seal

Materials complying with FDA 21 CFR 175.300: mineral filler in shaft seal

Kollmorgen Corporation

By: Anthony Nozzi



Title: Sr. Design Engineer

Date: November 5th, 2014

4 Record of document revisions

Revision	Remarks
-, 08/2013	Beta launch version
A, 12/2013	Hiperface DSL and SFD3 feedbacks released, technical data updated, hints for machine builders, hygienic standards fulfilled by AKMH, CE Declaration and Conformity, Hygienic Standards Conformity Declaration
B, 03/2014	Part number scheme updated, typos corrected, FDA standards added, CE Declaration, cable gland updated, dimension drawings updated
C, 08/2014	Brake data updated (document not published)
D, 06/2015	Dual cable option added, dimension drawings updated, connector pinout added, shaft seal run-in procedure added, part number scheme updated
E, 05/2016	Mating connectors added, Directives updated

--/--

About KOLLMORGEN

Kollmorgen is a leading provider of motion systems and components for machine builders. Through world-class knowledge in motion, industry-leading quality and deep expertise in linking and integrating standard and custom products, Kollmorgen delivers breakthrough solutions that are unmatched in performance, reliability and ease-of-use, giving machine builders an irrefutable marketplace advantage.

For assistance with your application needs, visit www.kollmorgen.com or contact us at:

North America

KOLLMORGEN

203A West Rock Road
Radford, VA 24141 USA

Web: www.kollmorgen.com

Mail: support@kollmorgen.com

Tel.: +1 - 540 - 633 - 3545

Fax: +1 - 540 - 639 - 4162

Europe

KOLLMORGEN Europe GmbH

Pempelfurtstraße 1
40880 Ratingen, Germany

Web: www.kollmorgen.com

Mail: technik@kollmorgen.com

Tel.: +49 - 2102 - 9394 - 0

Fax: +49 - 2102 - 9394 - 3155

China & Southeast Asia

KOLLMORGEN

Rm 202, Building 3, Lane 168, Linhong
Rd

Changning District, Shanghai, China

Web: www.kollmorgen.cn

Mail: sales.china@kollmorgen.com

Tel.: +86 - 400 - 661 - 2802

Fax: +86 - 21 - 6071 - 0665

KOLLMORGEN[®]

Because Motion Matters™