

CENTURION DSA DRIVES AND MOTORS

MOTION SOLUTIONS PRODUCT GUIDE

Material Number M.1301.2274
Version 1.0

Giddings & Lewis

Centurion DSA Drives and Motors Motion Solutions Product Guide

NOTE

Progress is an ongoing commitment at Giddings & Lewis. We continually strive to offer the most advanced products in the industry; therefore, information in this document is subject to change without notice. The illustrations and specifications are not binding in detail. Giddings & Lewis shall not be liable for any technical or editorial omissions occurring in this document, nor for any consequential or incidental damages resulting from the use of this document.

DO NOT ATTEMPT to use any Giddings & Lewis product until the use of such product is completely understood. It is the responsibility of the user to make certain proper operation practices are understood. Giddings & Lewis products should be used only by qualified personnel and for the express purpose for which said products were designed.

Should information not covered in this document be required, contact the Customer Service Department, Giddings & Lewis, 660 South Military Road, P.O. Box 1658, Fond du Lac, WI 54936-1658. Giddings & Lewis can be reached by telephone at 920 921 7100.

Version 1.0

Copyright © 2002 Giddings & Lewis, LLC

DeviceNet is a trademark of Iris Technologies, Inc.

IBM is a trademark of International Business Machines Corp.

IEEE is a trademark of the Institute of Electrical and Electronics Engineers

NEMA is a trademark of the National Energy Manufacturers Association

Pentium is a trademark of Intel Corporation

Windows 95, Windows 98, Windows NT, MS-DOS, QuickBASIC, and Microsoft are trademarks of Microsoft Corporation

PiC900, PiC90, PiCPro, PiCServoPro, PiCMicroTerm, Centurion, and MMC are trademarks of Giddings & Lewis, LLC

Table of Contents:

Centurion™ DSA Drives and Motors Product Guide

Centurion™ DSA Drives and Accessories.....	1
DSA - Digital Servo Drives	3
Micro DSA Drive Features	5
DSA100/230 VAC Drive Features	6
DSA 460 VAC Drive Features	7
Optional SERCOS Feature for DSA Drives	8
DSAPro.....	9
DSAPro Sample Screens	9
Host Mode.....	12
PC Configuration	12
DSA Drive Specifications.....	13
Physical and Environmental	15
Power Dissipation	15
Control	16
Inputs and Outputs	16
Serial Communication	16
Motor Feedback	17
Auxiliary Feedback.....	17
Connectors	17
SERCOS Communication.....	17
DSA Drive Dimensions	18
Dimensions and Mounting Diagram DSA007, -P	18
Dimensions and Mounting Diagram DSA015, DSA030, -P	19
Dimensions and Mounting Diagram DSA007S.....	20
Dimensions and Mounting Diagram DSA015S, DSA030S	21
Dimensions and Mounting Diagram DSA130-230, -P, -S	22
Dimensions and Mounting Diagram DSA175-230, -P, -S	23
Dimensions and Mounting Diagram DSA1150-230, -P, -S	24
Dimensions and Mounting Diagram DSA014-460, DSA022-460, -P, -S	25
Dimensions and Mounting Diagram DSA046-460, DSA-68-460, -P, -S.....	26
Dimensions and Mounting Diagram DSA094-460, -P, -S	27
Building Servo Drive and Motor Systems.....	28
Drive and Motor Performance Curve	28
Motor/Drive Performance Data, 115V ac, 165V dc bus	29
Motor/Drive Performance Data, 230V ac, 310V dc bus.....	30
Motor/Drive Performance Data, 460V ac, 620V dc bus	36
Drive, Motor and Cable Combinations	39
DSA Drive Connectors, Cables and Accessories	43
Serial Port Connector.....	43
I/O Connector	44
Motor Encoder Connector	45
AC Line Filters	46

External Shunts	49
SERCOS Fiber Optic Cables	54
Centurion™ Brushless Servo Motors	55
LSM Brushless Servo Motors	57
LSM Motor And Performance Data	58
LSM Standard Motor Dimensions	59
LSM Motor Connector Ordering Information	60
LSM Motor Connector Data Tables	61
Standard Motor Radial Load Force Ratings For LSM Motors	62
MSM Brushless Servo Motors	63
MSM Motor And Performance Data	64
MSM Standard Motor Dimension	65
MSM Motor Connector Ordering Information	66
MSM Motor Connector Tables	67
Standard Motor Radial Load Force Ratings For MSM Motors	68
NSM Brushless Servo Motors	69
NSM Series Motor and Performance Data	70
NSM Motor Dimensions	72
NSM Motor Encoder Data	73
NSM Motor Connector Ordering Information	75
YSM Brushless Servo Motors	76
YSM Motors And Performance Data	77
YSM Standard Motor Dimensions	78
YSM Motor Connector Ordering Information	79
FSM Medium Inertia Brushless Servo Motors	80
FSM Motor And Performance Data	81
FSM Standard Motor Dimensions	82
FSM Motor Connector Ordering Information	83
HSM Low Inertia Brushless Servo Motors	85
HSM Motor And Performance Data	86
HSM Standard Motor Dimensions	87
HSM Motor Connector Ordering Information	88
Application Guidelines For HSM, FSM, YSM, NSM Brake Motors	89
Brake Operation	89
Brake Data For HSM and FSM Motors	90
Standard Motor Radial Load Force Ratings For NSM, HSM and FSM Motors	91
XSM Low Inertia Brushless Servo Motors	92
XSM Motor Performance Data	93
XSM Standard Motor Dimensions	95
XSM Motor Connector Ordering Information	97
XSM Connector Data	97
Standard Motor Radial Load Force Ratings For XSM Motors	98

CENTURION DSA DRIVES AND MOTORS MOTION SOLUTIONS PRODUCT GUIDE

Centurion™ DSA Drives and Accessories



230 VAC Standard Size



230 VAC Micro Size



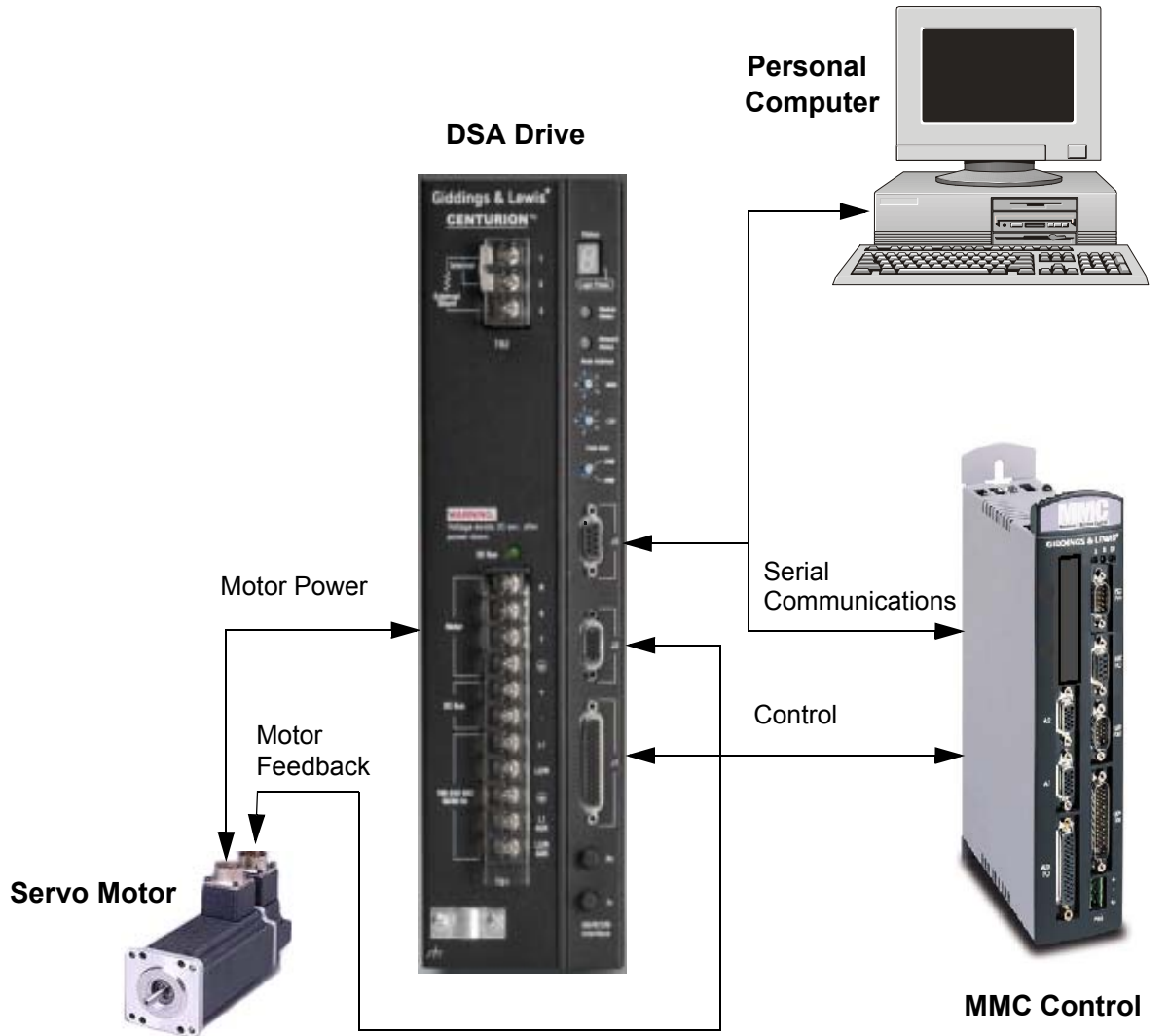
460 VAC Standard Size

The DSA family of servo amplifiers provides both 230 VAC and 460 VAC solutions for applications ranging from 500 watts to 22 kilowatts of power. The common control design allows interchangeable cabling between the various drive packages. Common features and functionality throughout the family simplifies application.

DSA - Digital Servo Drives

The Giddings & Lewis Centurion DSA line is a family of versatile universal drives. These feature-rich, high performance drives offer flexibility in a wide range of applications. The DSA is called a universal drive because of its ability to act as an analog input velocity servo, variable speed drive, stepper drive replacement or master encoder follower complete with electronic gearing. Optional positioning drives (-P) provide complete single axis motion control solutions with internal storage of up to 64 selectable index moves. The SERCOS communication option (-S) provides a fiber optic motion communication network for applications of up to 32 synchronized axes.

The Windows based interface, DSAPro, provides you with a powerful configuration and diagnostic tool to improve your productivity when integrating DSA Drives into your machine. The common cabling, functionality and interface throughout the DSA family will drive down your life cycle costs when you standardize on the Centurion DSA drives.



The Centurion DSA has the unique flexibility to operate a wide variety of motors so you can optimize the motor/drive system for your application. Through DSAPro, a Giddings & Lewis standard motor file can be selected with the click of the mouse. The drive then automatically configures itself as an AC brushless servo drive. The majority of the motor families come standard with a 2000 line incremental encoder but also have a high resolution option. This single and multturn absolute high resolution encoder, used in conjunction with a DSA drive, provides superior low speed performance for the most demanding applications.

Universal Drive

- Can be configured for a variety of command sources:
 - Analog velocity input
 - Preset positions, torques, or velocities
 - Step and direction
 - Master encoder following
 - Digital serial commands
- Drives brushless motors by simple set-up
- The same features, cabling and performance available in a range of both micro drives and standard sized drives

Easy Set-up and Maintenance

- Windows-based DSAPro software provides a complete set of troubleshooting and diagnostic tools.
- All setup and tuning parameters are saved in a non-volatile personality module.
- All drive configuration and tuning parameters can be set up off-line and saved to disk..

Industry Leading Performance

- Advanced speed control algorithms for superior control
- Velocity loop bandwidth up to 400Hz
- High frequency and high resolution encoder input capability

Reliability

- Tested for vibration, shock, humidity and temperature
- Built in protection circuitry safeguards your system
- Wireless construction
- Highly integrated hardware design with custom ASICS and Intelligent Power Modules (IPM)

Global Standards

- UL and cUL listed
- CE marked for European requirements for low voltage and electromagnetic compatibility directives
- Designed and manufactured in an ISO9001 certified plant

Micro DSA Drive Features

The Micro DSA drives deliver full-featured flexibility and performance in a very compact size. This space-saving drive is also a time saver with its easy to use Windows-based DSAPro software tool. For superior performance in a variety of power ratings and sizes, the Micro DSA is the one drive that can do it all.

- Available in 0.5 kW, 1.0 kW and 2.0 kW continuous output power ratings
- Superior performance and functionality of larger drives in a package 1/4 of their size
- 100 to 240V AC single phase input
- Choice of command source:
 - +/- 10V analog input
 - Step/direction input (also step up/step down) with electronic gearing
 - Auxiliary master encoder input with electronic gearing
 - Sixty-four preset positions/speeds/torques selected via six digital input lines
 - SERCOS motion network
 - RS-232/485 commands
- External active shunt available
- Phase to phase and phase to ground short circuit protection
- Drives sinusoidal AC brushless motors
- Advanced control algorithms for leading edge velocity loop bandwidth. All current, velocity, and position loops are digital
- Large scale integration with custom ASICs and IPMs for performance and reliability
- Internally shielded output filter for electromagnetic compatibility (EMC)
- 8 user-selectable, optically isolated digital inputs and 4 outputs (sourcing/active high)
- 1 relay output
- 1 analog input for external current limit
- 1 analog output for variable monitoring or torque sharing
- Serial port for RS232/485 host communications
- Scalable motor encoder output
- UL, cUL listed and CE marked



NOTE: The use of an external AC line filter, and Giddings & Lewis shielded cables are required for CE compliance.

DSA100/230 VAC Drive Features

The DSA100 standard sized drives deliver full-featured flexibility and an impressive range of power and performance. Whether you need an analog input velocity servo, a variable speed drive, a stepper drive replacement, or a master encoder follower, the DSA100 is the one drive that can do it all.

- Available in 3.0, 7.5 and 15 kW continuous output power ratings
- 100 to 240 VAC single phase input (single phase or three phase for the 75 amp version)
- Drives sinusoidal AC brushless motors
- Choice of command source:
 - +/- 10V analog input
 - Step/direction input (also step up/step down) with electronic gearing
 - Auxiliary master encoder input with electronic gearing
 - Sixty-four preset positions/speeds/torques selected via six digital input lines
 - SERCOS motion network
 - RS-232/485 commands
- Feedback options: Incremental encoder, single turn high res (1,000,000 cts. rev), multiturn absolute (1,000,000 cts/rev)
- Phase to phase and phase to ground short circuit protection
- Internal or external resistive shunt
- Auxiliary AC input to power logic only
- Advanced design for leading edge velocity loop bandwidth, all digital current, velocity and position loops
- Large scale integration with custom ASICs and IPMs for performance and reliability
- Flash memory for simple field upgrades
- Personality module to store set-up parameters and simplify drive replacement
- Wireless construction for reliability
- Internally shielded filters for electromagnetic compatibility (EMC)
- 8 inputs, 4 outputs, 1 relay output
- 1 analog input for external current limit
- 1 analog output for variable monitoring or torque sharing
- 1 serial connector for RS232 serial or RS485 multi-dropping and host communications
- Scalable motor encoder output
- UL, cUL listed and CE marked



NOTE: The use of an external AC line filter and Giddings & Lewis shielded cables are required for CE compliance.

DSA 460 VAC Drive Features

The DSA460 standard sized drives deliver full-featured flexibility and an impressive range of power and performance. Whether you need an analog input velocity servo, a variable speed drive, a stepper drive replacement, or a master encoder follower, the DSA is the one drive that can do it all.

- Available in 3.0, 5.0, 10.0, 15, and 22 kW continuous output power ratings
- 207 - 258V AC three phase input
- Drives sinusoidal AC brushless motors
- Choice of command source:
 - +/- 10V analog input
 - Step/direction input (also step up/step down) with electronic gearing
 - Auxiliary master encoder input with electronic gearing
 - Sixty-four preset positions/speeds/torques selected via six digital input lines
 - SERCOS motion network
 - RS-232/485 commands
- Feedback options: incremental encoder, single-turn high res (1,000,000 cts/rev), multiturn absolute (1,000,000 cts/rev)
- Phase to phase and phase to ground short circuit protection
- Internal or external resistive shunt
- Auxiliary AC input to power logic only
- Advanced design for leading edge velocity loop bandwidth, all digital current, velocity and position loops
- Large scale integration with custom ASICs and IPMs for performance and reliability
- Flash memory for simple field upgrades
- Personality module to store set-up parameters and simplify drive replacement
- Wireless construction for reliability
- Internally shielded filters for electromagnetic compatibility (EMC)
- 8 inputs, 4 outputs and 1 relay output
- 1 analog input for external current limit
- 1 analog output for variable monitoring or torque sharing
- 1 serial connector for R232 serial or RS485 multi-dropping and host communications
- Scalable motor encoder output
- UL, cUL listed and CE marked



NOTE: The use of an external AC line filter and Giddings & Lewis shielded cables are required for CE compliance.

Optional SERCOS Feature for DSA Drives

With the optional SERCOS interface, the DSA drives can be configured to operate as a slave device on a SERCOS ring. High-speed fiber optic communication allows up to thirty-two axes per ring. Wiring between the controller and the drive is greatly simplified. Noise problems are eliminated.

The DSA SERCOS drives deliver full-featured flexibility and an impressive range of power and performance.

- Available in all package sizes: Micro, Standard 230 VAC, and Standard 460 VAC
- Available in .5, 1.0, 2.0, 3.0, 7.5, 15, and 22 kW continuous output power ratings
- 100 to 240 VAC single phase input (single phase or three phase for the 75 amp version) and 460 VAC version
- Drives sinusoidal AC brushless motors
- Auxiliary master encoder input
- Phase-to-phase and phase-to-ground short circuit protection
- Internal or external resistive shunt
- Auxiliary AC input to power logic only
- Advanced design for leading edge control
- All digital current, velocity and position loops
- Large scale integration with custom ASICs and IPMs for performance and reliability
- Flash memory for simple field upgrades
- Wireless construction for reliability
- Internally shielded filters for electromagnetic compatibility (EMC)
- Scalable motor encoder input and output
- UL, cUL listed and CE marked

NOTE: the use of an external AC line filter and Giddings and Lewis shielded cables are required for CE compliance

Other features which can be accessed through SERCOS IDNs:

- Eight dedicated optically isolated digital inputs, which include two high-speed inputs for registration or probing
- One analog input for monitoring feedback from dancer, tension, or pressure measuring devices



DSAPro

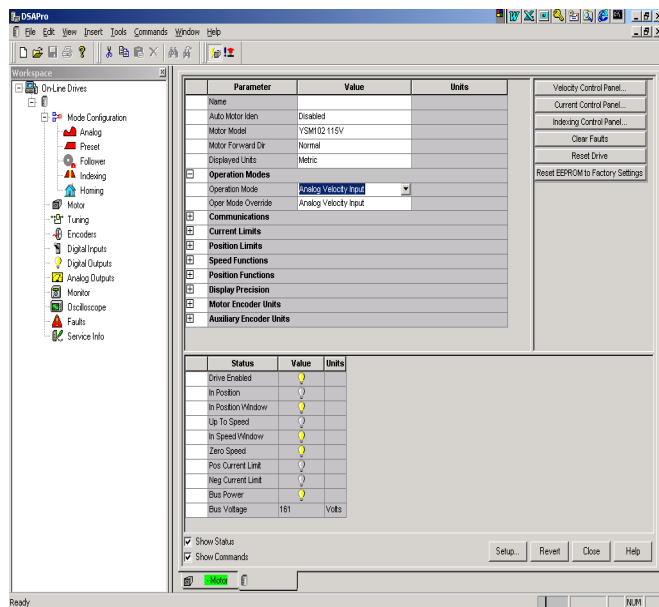
DSAPro is a convenient point-and-click software interface for customizing the features in the Centurion DSA drives to best fit your application. Suitable for any PC with Windows 95 or later system software. It is used to configure, monitor, and troubleshoot a servo system. The on-line help and quick startup windows will simplify your setup while tools such as the on-screen digital oscilloscope provide simplified tuning and diagnosis. It also provides a full array of on-screen meters and other software tools for rapid debugging and measurement. DSA drive keeps error messages in its own non-volatile message buffer to save time in tracking down a problem. In systems with multiple drives, DSAPro can simultaneously display status and configuration screens for all drives that are on an RS485 or RS232 link. DSAPro can also be used off-line to configure a drive and save the set-up to disk for later downloading to a drive.

The commands available in DSAPro can be obtained by contacting Giddings & Lewis Technical Support.

DSAPro Sample Screens

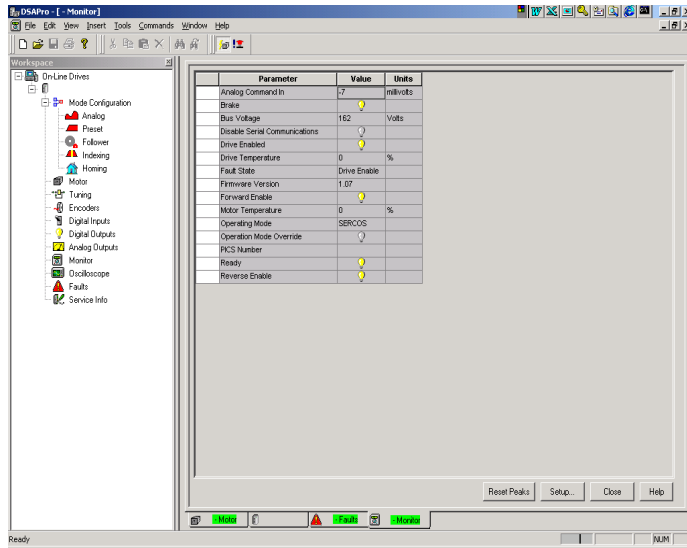
DSAPro has a complete set of easy to understand windows available from its pull down menus. Examples of DSAPro screens are shown below. (The examples shown are using a Centurion DSA drive.)

Modes of Operation



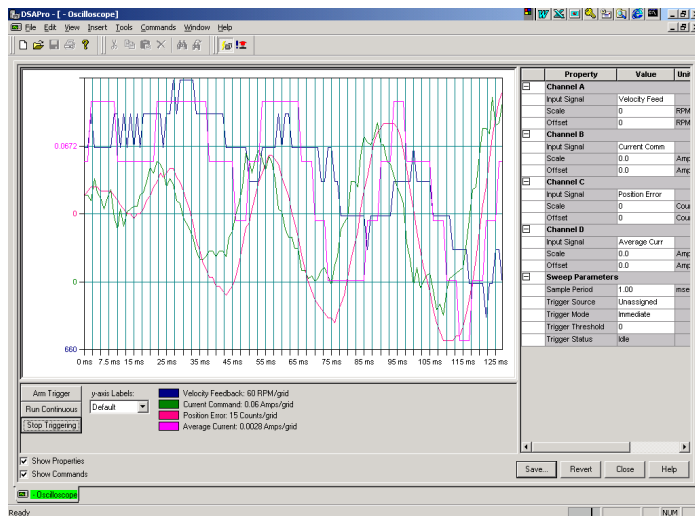
Modes of Operation - Choosing the desired setup for the servo drive is simple. Navigate to the desired setup using Explorer like tools. Select items from pulldown menus, or simply check a box to enable the feature.

Diagnostic Capabilities



Diagnostic Capabilities - Diagnostics are simple data displays with light indicators for inputs, outputs and status. Virtually all data and status information can be accessed by simply clicking on the "Setup" button, then browsing for the information you wish to display.

Oscilloscope



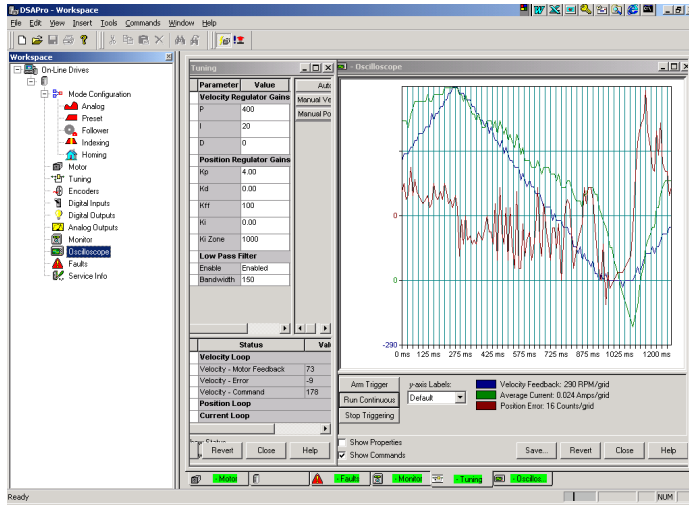
Built-In Four-Channel Oscilloscope.

The four-channel oscilloscope allows the user to capture all important information from the servo drive. The oscilloscope can be set up to capture the usual velocity, current, and position signals. Additionally, the inputs and outputs can be captured and displayed. Virtually all drive information can be captured and displayed on the oscilloscope. The captured data can also be saved as ASCII text for further analysis.

Tuning

Tuning.

The system is easily and accurately tuned by using the simple PID tuning adjustment window, and the oscilloscope features.



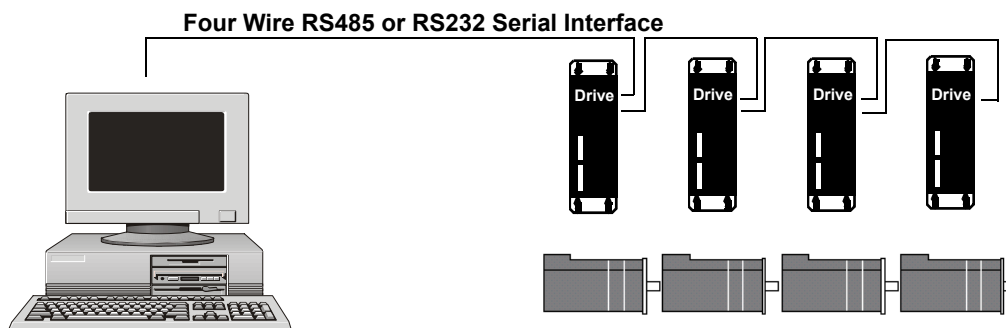
Part Number

DSA Pro - M.1300.7655

Host Mode

The DSA's Host Command protocol provides optional drive configuration using the drive's Serial Communications Interface. This powerful feature allows your controller to access all of the drive's digital controls using sequences of ASCII characters. The protocol includes error checking to ensure the integrity of the transmitted commands.

In installations which have multiple axes, up to 99 DSA Drives can be addressed by a host computer. These drives communicate with the host computer using a four wire RS-485 or two wire RS-232 interface. The Host Command protocol includes specific drive addressing which allows the host to communicate with all the connected drives concurrently.



PC Configuration

DSA Requirements:

- IBM-compatible PC with Pentium or higher microprocessor
- Windows 95, 98, 2000 or Windows NT 4.0 operating system (or higher)
- 24 MB RAM (or higher)
- 50 MB hard disk space
- VGA monitor running in standard 640x480 resolution (SGVA 800x600 resolution recommended)
- One CD-ROM drive
- Windows-compatible mouse with mouse driver
- One serial port to communicate with the drive
- A second serial port if using a serial mouse
- Microsoft Internet Explorer browser 4.0 or higher required to access on-line help (IE is included in Windows 98 and Windows 2000)

DSA Drive Specifications

General Power Specifications and Requirements

The tables below list general power specifications and requirements for the DSA 230V drives.

Specification	Description		
	DSA007-230-x	DSA015-230-x	DSA030-230-x
AC Input Voltage ¹	100-240V _{rms} Single Phase		
AC Input Frequency	47 - 63 Hz		
AC Input Current Nominal Maximum inrush (230V AC input)	5A _{rms} 100A (0-peak)	9A _{rms} 100A (0-peak)	18A _{rms} 100A (0-peak)
Output Peak Current	7.5A (0-peak)	15A (0-peak)	30A (0-peak)
Continuous Output Current	2.5A (0-peak)	5A (0-peak)	10A (0-peak)
Energy Absorption Capability 115V AC input 230V AC input	125 Joules 51 Joules		
Continuous Power Output 115V AC input 230V AC input	0.25 kW 0.5 kW	0.5 kW 1.0 kW	1.0 kW 2.0 kW

Specification	Description		
	DSA130-230-x	DSA175-230-x	DSA1150-230-x
AC Input Voltage ¹	100-240V _{rms} Single Phase	100-240V _{rms} Three Phase	
AC Input Frequency	47 - 63 Hz		
Main AC Input Current Nominal, Maximum inrush, 230V AC input	28A _{rms} 50A _{rms}	30A _{rms} 50A _{rms}	46A _{rms} 68A _{rms}
Auxiliary AC Input Current Nominal, 115V AC input Nominal, 230V AC input Maximum inrush, 115V AC input Maximum inrush, 230V AC input	1.0A _{rms} 0.5A _{rms} 47A (0-peak) 95A (0-peak)	1.0A _{rms} 0.5A _{rms} 47A (0-peak) 95A (0-peak)	1.0A _{rms} 0.5A _{rms} 47A (0-peak) 95A (0-peak)
Continuous Output Current	15A (0-peak)	35A (0-peak)	65A (0-peak)
Intermittent Output Current	30A (0-peak)	75A (0-peak)	150A (0-peak)
Internal Shunt Continuous power Peak power	50W 4.5 kW	50W 10 kW	180W 18 kW
External Shunt Minimum resistance Continuous power Peak power	30 Ohms 2.4 kW 6 kW	16.5 Ohms 4 kW 10 kW	9 Ohms 8 kW 19 kW
Energy Absorption Capability 115V AC input 230V AC input	203 Joules 96 Joules	321 Joules 151 Joules	563 Joules 265 Joules
Continuous Power Output 115V AC input 230V AC input	1.5 kW 3 kW	3.75 kW 7.5 kW	7.5 kW 15 kW

DSA Drive Specifications

¹Specification is for nominal voltage. The absolute limits are $\pm 10\%$, or $88-265V_{rms}$

The table below lists general power specifications and requirements for the DSA 460V drives .

Specification	Description				
	DSA014-460-x	DSA022-460-x	DSA046-460-x	DSA068-460-x	DSA094-460-x
AC Input Voltage ¹	230-480V _{rms} Three Phase				
AC Input Frequency	47 - 63 Hz				
Main AC Input Current ² Nominal, 460V AC input Maximum inrush, 460V AC input	4A _{rms} 6A _{rms}	7A _{rms} 6A _{rms}	14A _{rms} 6A _{rms}	20A _{rms} 6A _{rms}	28A _{rms} 6A _{rms}
Auxiliary AC Input Current Nominal, 230V AC input Nominal, 360V AC input Nominal, 480V AC input Maximum inrush, 230V AC input Maximum inrush, 480V AC input	0.55A _{rms} 0.35A _{rms} 0.25A _{rms} 47A (0-peak) ³ 68A (0-peak) ³	0.55A _{rms} 0.35A _{rms} 0.25A _{rms} 47A (0-peak) ³ 68A (0-peak) ³	0.55A _{rms} 0.35A _{rms} 0.25A _{rms} 47A (0-peak) ³ 68A (0-peak) ³	0.55A _{rms} 0.35A _{rms} 0.25A _{rms} 47A (0-peak) ³ 68A (0-peak) ³	0.55A _{rms} 0.35A _{rms} 0.25A _{rms} 47A (0-peak) ³ 68A (0-peak) ³
Continuous Output Current	7A (0-peak)	11A (0-peak)	23A (0-peak)	34A (0-peak)	47A (0-peak)
Intermittent Output Current	14A (0-peak)	22A (0-peak)	46A (0-peak)	68A (0-peak)	94A (0-peak)
Internal Shunt Continuous power Peak power	100W 5.3 kW	100W 5.3 kW	200W 16 kW	200W 25.6 kW	400W 32 kW
External Shunt Minimum resistance Continuous power Peak power	120 Ohms 3 kW 5.3 kW	120 Ohms 5 kW 5.3 kW	40 Ohms 10 kW 16 kW	25 Ohms 15 kW 25.6 kW	20 Ohms 22 kW 32 kW
Energy Absorption Capability 230V AC input with 230V motor 230V AC input with 460V motor 460V AC input	58 Joules 517 Joules 219 Joules	58 Joules 517 Joules 219 Joules	88Joules 776Joules 329 Joules	117 Joules 1034 Joules 439 Joules	234 Joules 2069 Joules 878Joules
Continuous Power Output 230V AC input 460V AC input	1.5 kW 3.0 kW	2.5 kW 5.0 kW	5.0 kW 10 kW	7.5 kW 15 kW	11 kW 22 kW

¹ Specification is for nominal voltage. The absolute limits are $\pm 10\%$, or $207-528V_{rms}$.

² The DSAxxx-460-x drives are limited to three contactor cycles per minute.

³ 400 ms half wave sine

Physical and Environmental

The table below lists physical and environmental specifications and requirements.

Specification	Description
Weight	
DSA007-230-x	1.8 kg (4.1 lbs)
DSA015-230-x	2.1 kg (4.6 lbs)
DSA030-230-x	2.1 kg (4.6 lbs)
DSA130-230-x	6.2 kg (13.6 lbs)
DSA175-230-x	9.3 kg (20.6 lbs)
DSA1150-230-x	14.1 kg (31.0 lbs)
DSA014-460-x	8.55 kg (18.8 lbs)
DSA022-460-x	8.55 kg (18.8 lbs)
DSA046-460-x	10.44 kg (22.96 lbs)
DSA068-460-x	10.44 kg (22.96 lbs)
DSA094-460-x	14.1 kg (31 lbs)
Operating Temperature	0° C to 55° C (32° F to 131° F)
Storage Temperature	-40° C to 70° C (-40° F to 158° F)
Humidity	5% to 95% non-condensing
Altitude	1500 m (5000 ft) Derate 3% for each 300 m above 1500m
Vibration Operating/Non-operating	5 to 2000 Hz, 2.5 g peak, 0.015 in. maximum displacement
Shock Non-operating	15 g 11 ms half sine
UL Listed to U.S. and Canadian safety standards	UL 508 C File E145959

Power Dissipation

Use the following table to size an enclosure and calculate required ventilation for the DSA Drive. Typical heat losses run approximately one-half maximum power losses. The maximum power losses are shown below.

Model Name	Maximum Loss (Watts)
DSA007-230, -S, -P	48 + dissipative shunt
DSA015-230, -S, -P	48 + dissipative shunt
DSA030-230, -S, -P	50 + dissipative shunt
DSA130-230, -S, -P	150 + dissipative shunt
DSA175-230, -S, -P	300 + dissipative shunt
DSA1150-230, -S, -P	500 + dissipative shunt
DSA014-460, -S, -P	175 + dissipative shunt
DSA022-460, -S, -P	175 + dissipative shunt
DSA046-460, -S, -P	350 + dissipative shunt
DSA068-460, -S, -P	350 + dissipative shunt
DSA094-460, -S, -P	600 + dissipative shunt

Control

The table below lists control specifications.

Specification	Description
Commutation	3 Phase Sinusoidal, Space Vector Modulated (SVM)
Current Regulator	Digital PI 125 μ sec update rate
Velocity Regulator	Digital PID - 250 μ sec update rate
Position Regulator	Digital PID with feed-forward - 1 mS update rate

Inputs and Outputs

The table below lists I/O specifications.

Specification	Description
Digital Inputs	8 Optically Isolated 12-24V Inputs, Active High, Current Sinking
Digital Outputs	4 Optically Isolated 12-24V Outputs, Active High, Current Sourcing
Relay Output	1 Normally Open Relay - 30V DC Maximum Voltage, 1A Maximum Current
I/O Response	100 μ sec
Digital I/O Firmware Scan Period	1 mS
Analog Inputs COMMAND ILIMIT	14 bit A/D, ± 10 V 10 bit A/D, 0 to 10V
Analog Output	+10V, 8 bits, 2 mA maximum

Serial Communication

The table below lists the serial communication specifications.

Specification	Description
Serial	1 RS-232/RS-422/RS-485 Port
Baud Rates	1200, 2400, 4800, 9600, 19200, and 38400 baud
Frame Format	7 Data, Even Parity, One Stop
	7 Data, Odd Parity, One Stop
	8 Data, No Parity, One Stop
	8 Data, Even Parity, One Stop
	8 Data, Odd Parity, One Stop

Motor Feedback

The table below lists motor feedback specifications.

Specification	Description
Encoder Types	Incremental, Sine/Cosine, Intelligent, and Absolute
Maximum Input Frequency	100 kHz (Sine/Cosine Input)
	2.5 MHz (TTL Input) per channel
Commutation Startup	Hall Sensor or None

Auxiliary Feedback

The table below lists auxiliary feedback specifications.

Specification	Description
Input Modes	A quad B, Step/Direction, CW/CCW
Input Types	Differential, single-ended, open collector ¹
Maximum Signal Frequency	2.5 MHz

¹ Differential input types are recommended.

Connectors

The table below lists connector specifications..

Connector	Specification	Description
J1	User Input/Output	44-pin high-density D-shell
J2	Motor Feedback Connector	15-pin high-density D-shell
J3	Serial Port Connector	9-pin standard D-shell

SERCOS Communication

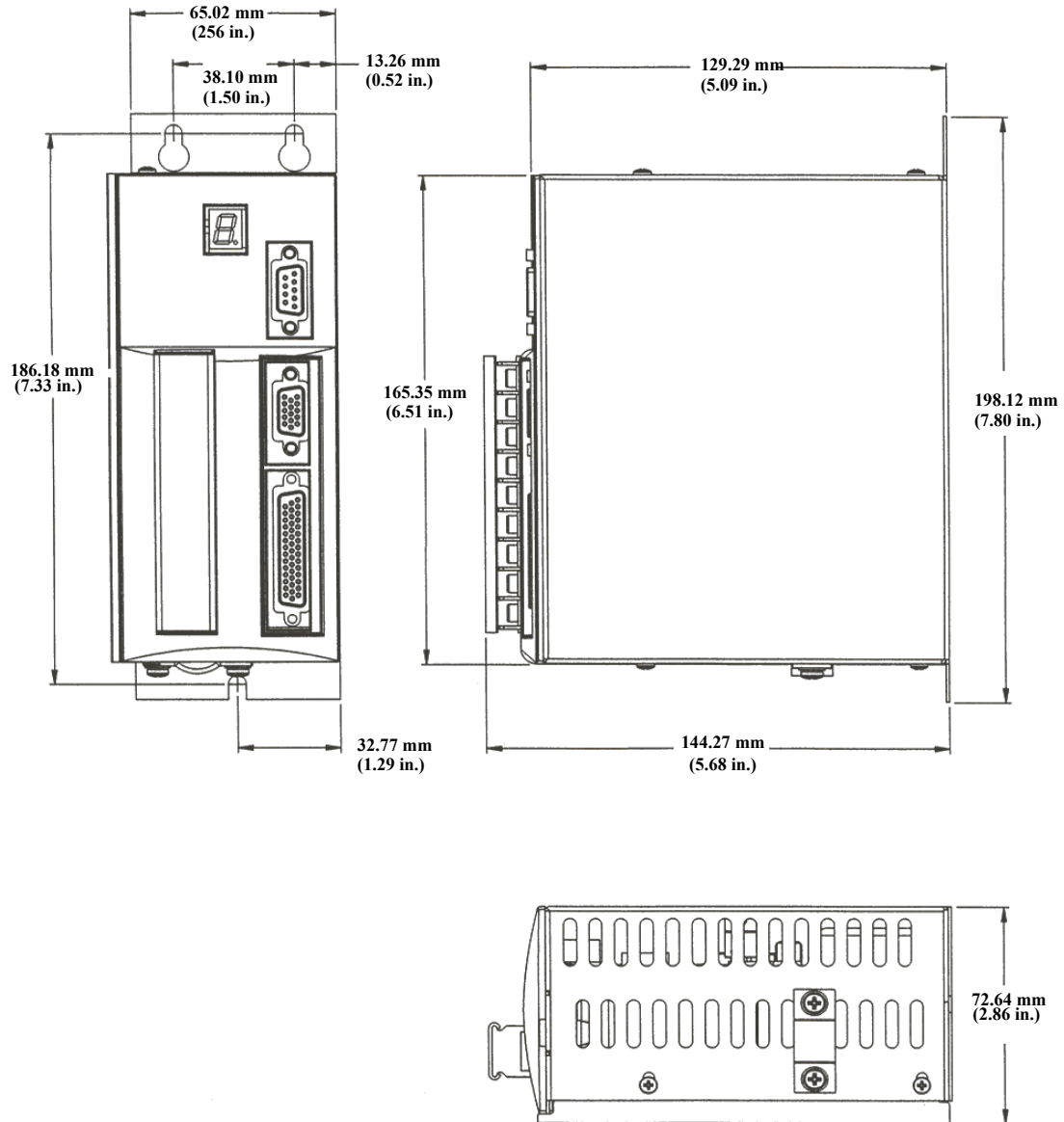
The table below lists SERCOS communication specifications.

Specification	Description
Data Rates	2M baud, 4M baud, and 8M baud
Node Addresses	01-99

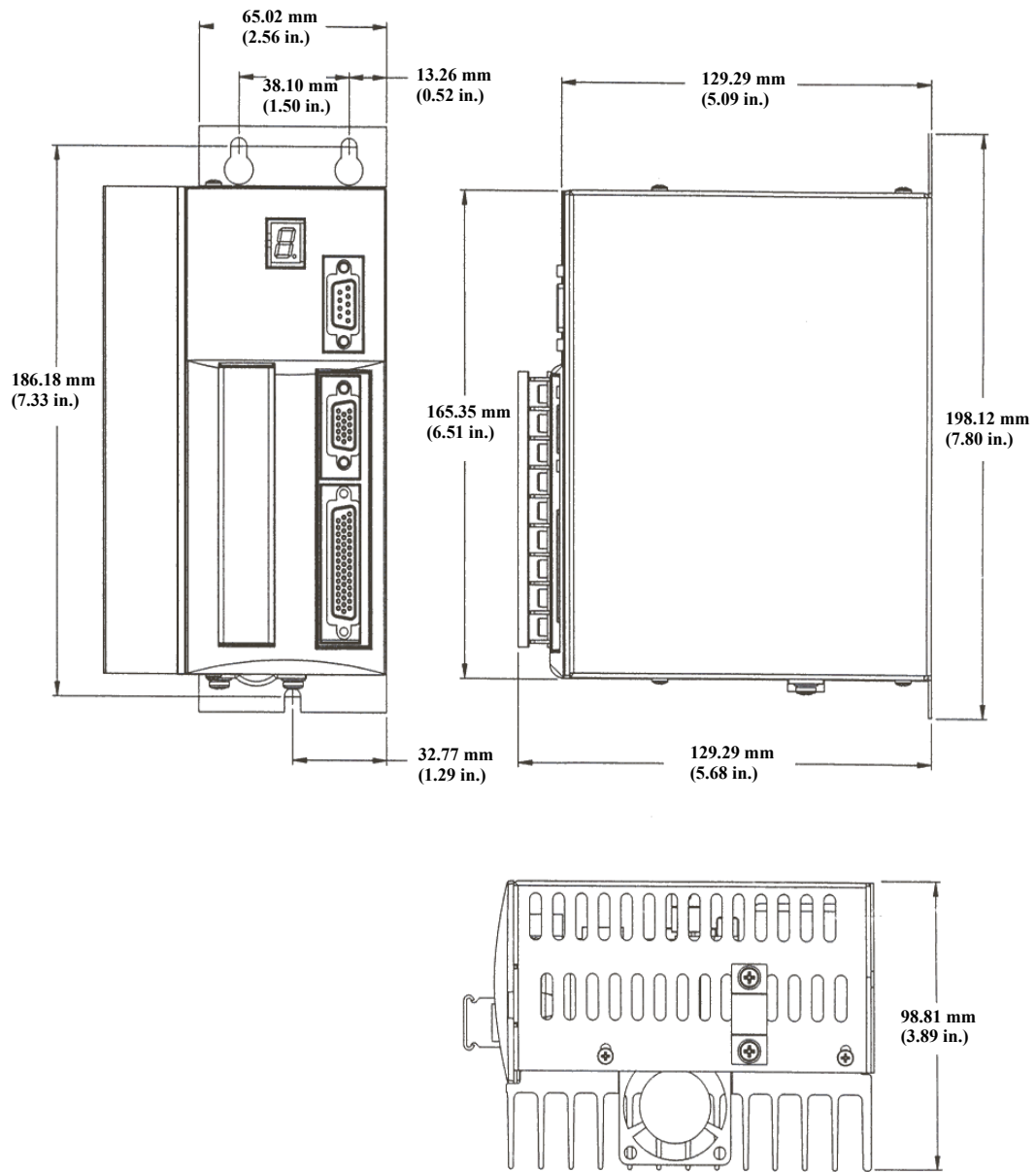
DSA Drive Dimensions

The following diagrams show the dimensions and mounting hole locations for the DSA Drives.

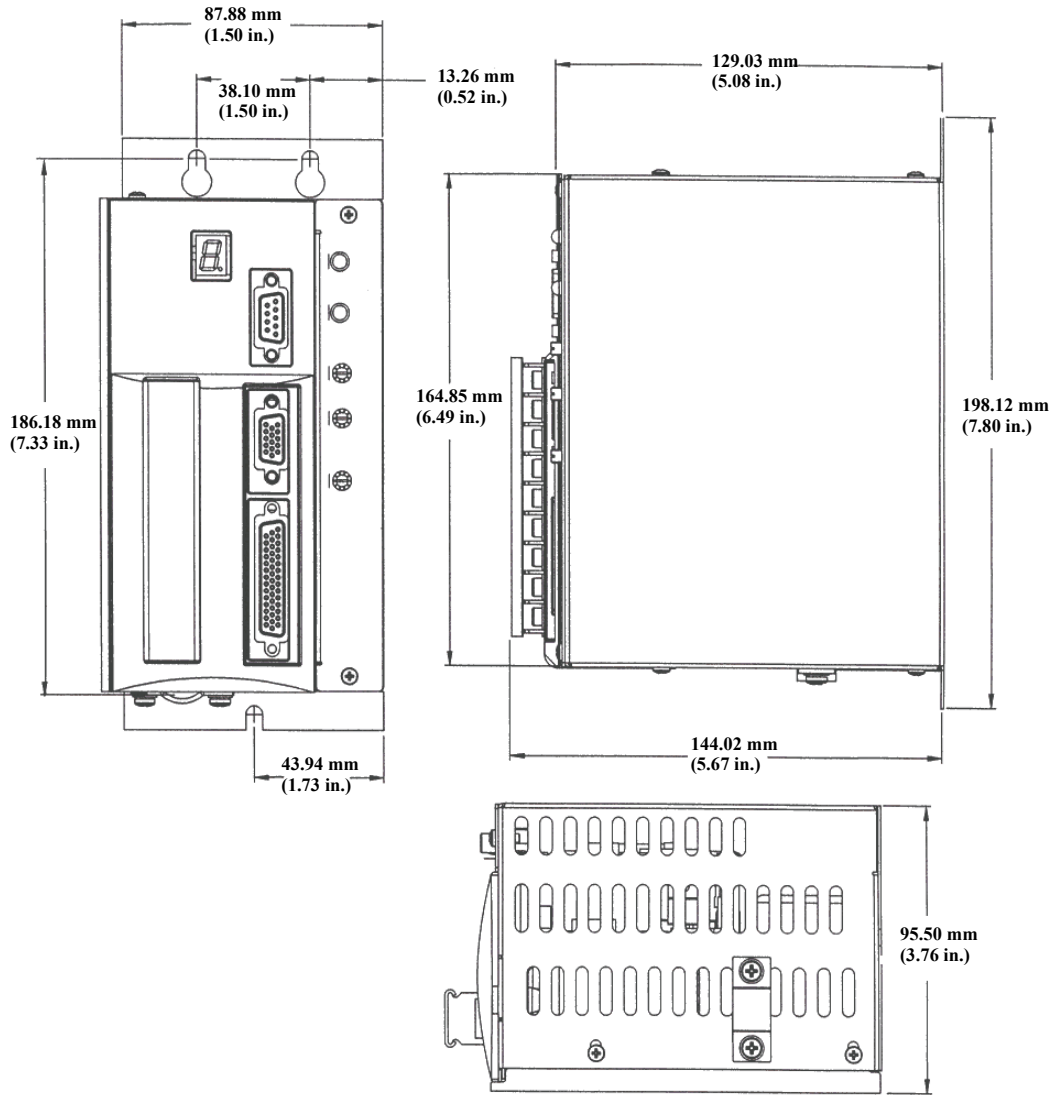
Dimensions and Mounting Diagram DSA007, -P



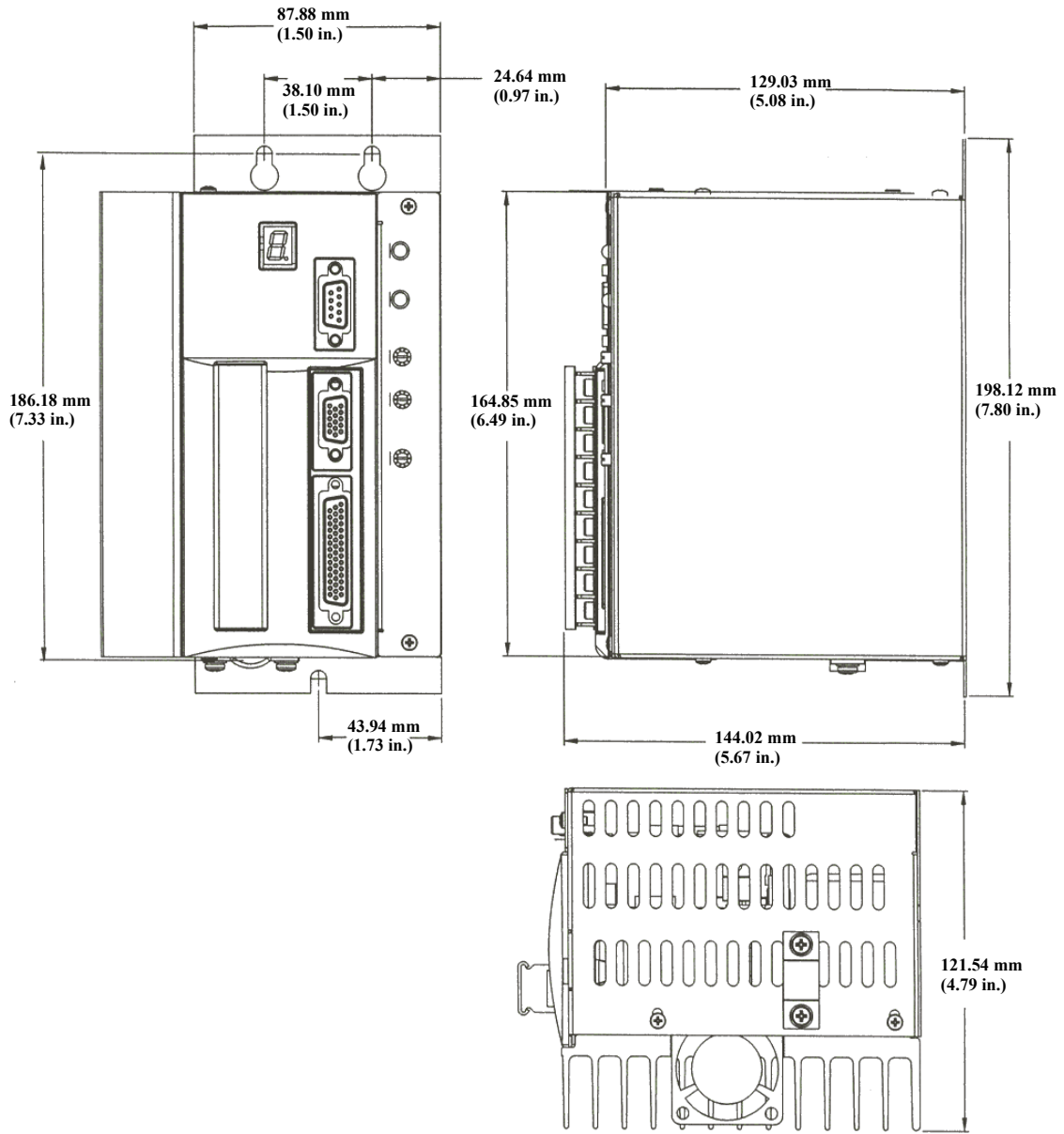
Dimensions and Mounting Diagram DSA015, DSA030, -P



Dimensions and Mounting Diagram DSA007S

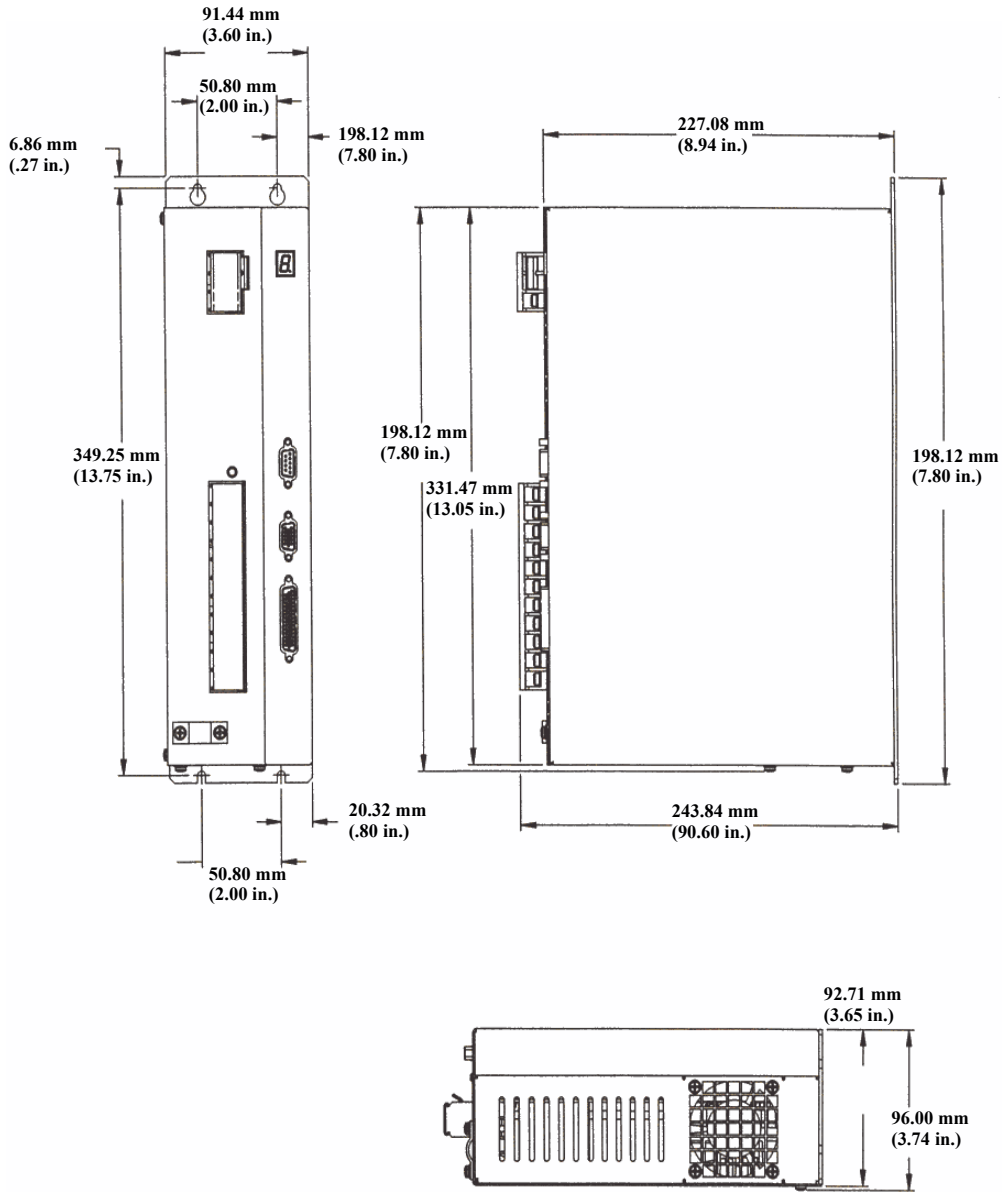


Dimensions and Mounting Diagram DSA015S, DSA030S

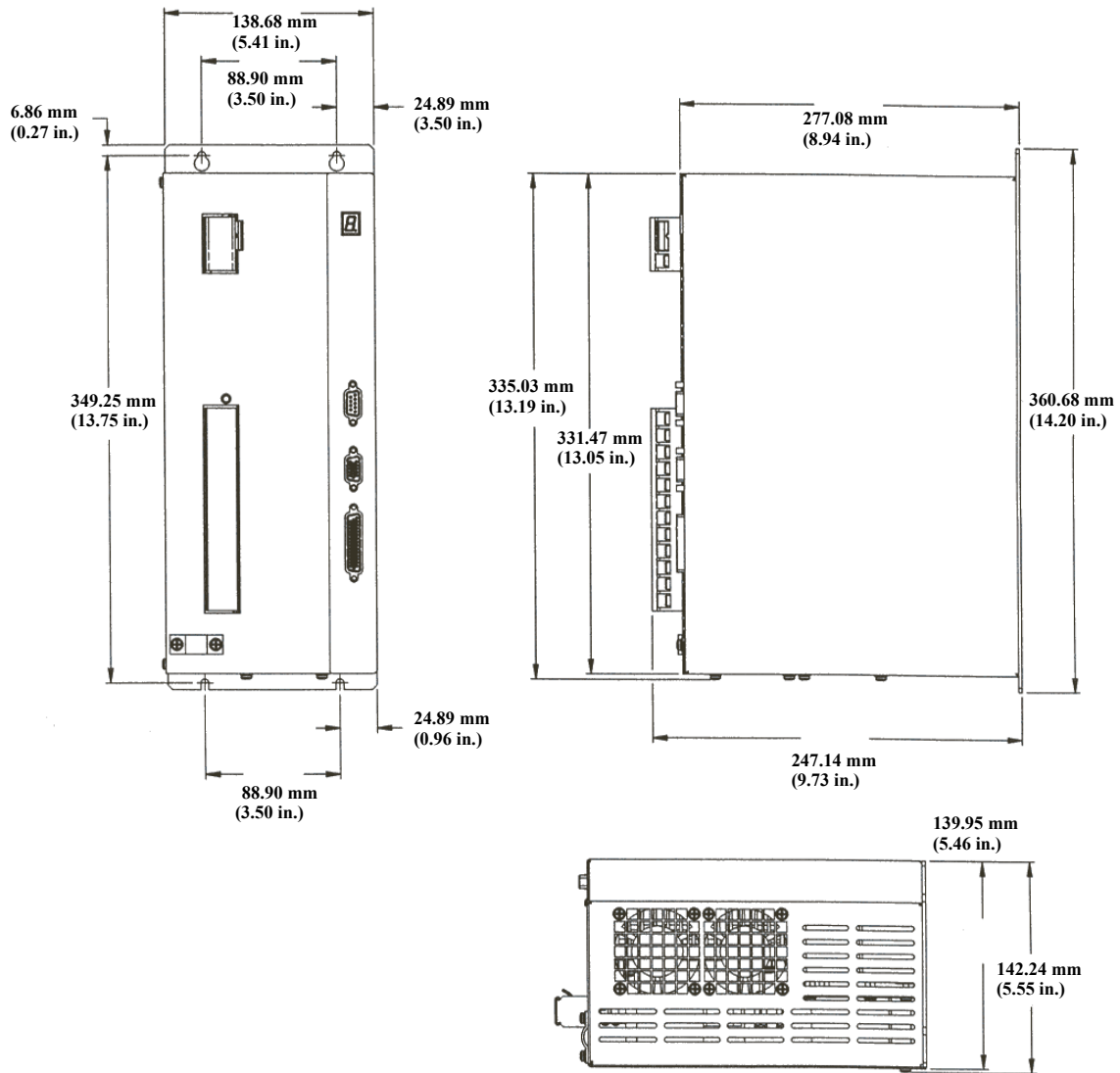


Fan only on 2kW units

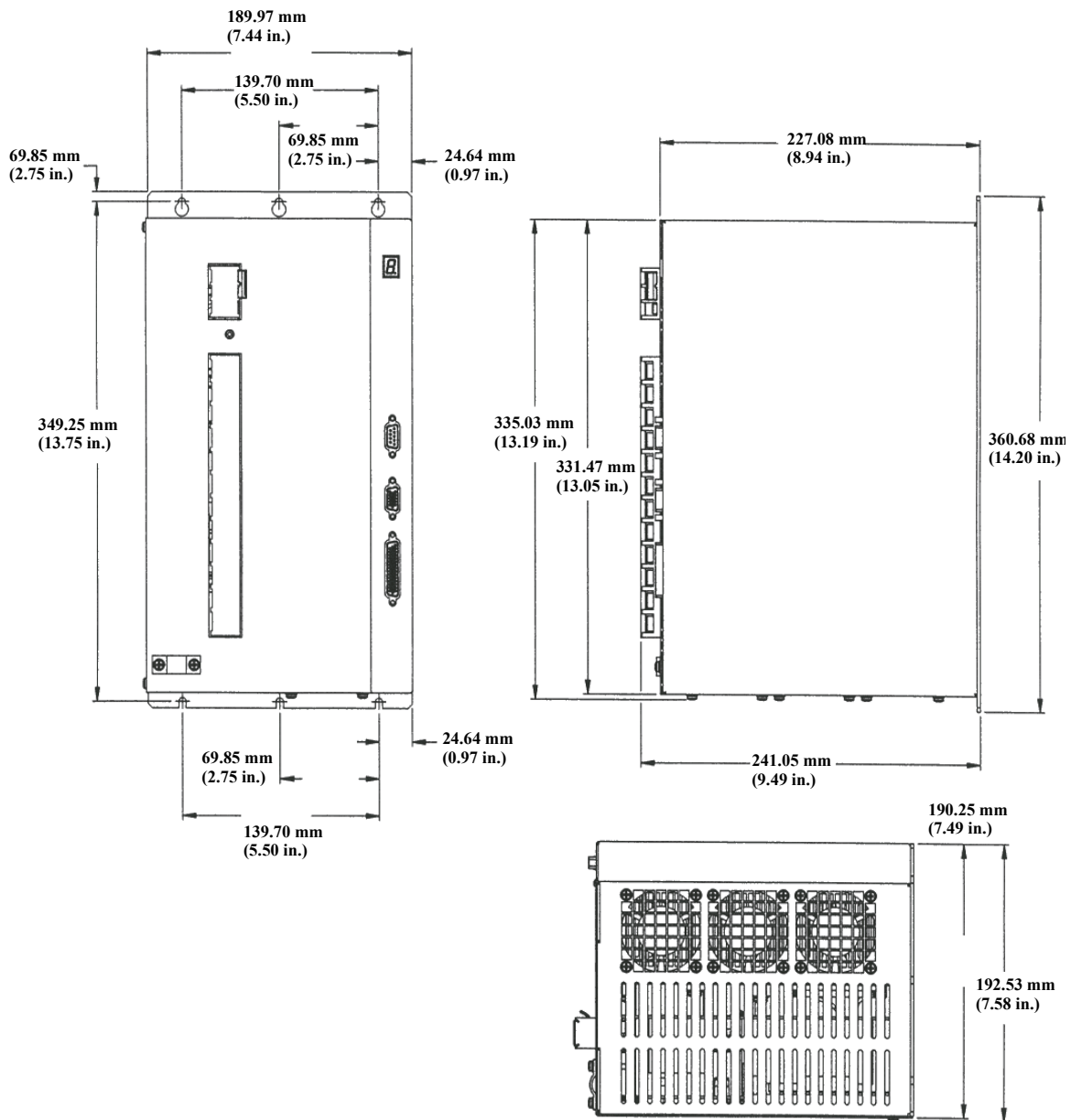
Dimensions and Mounting Diagram DSA130-230, -P, -S



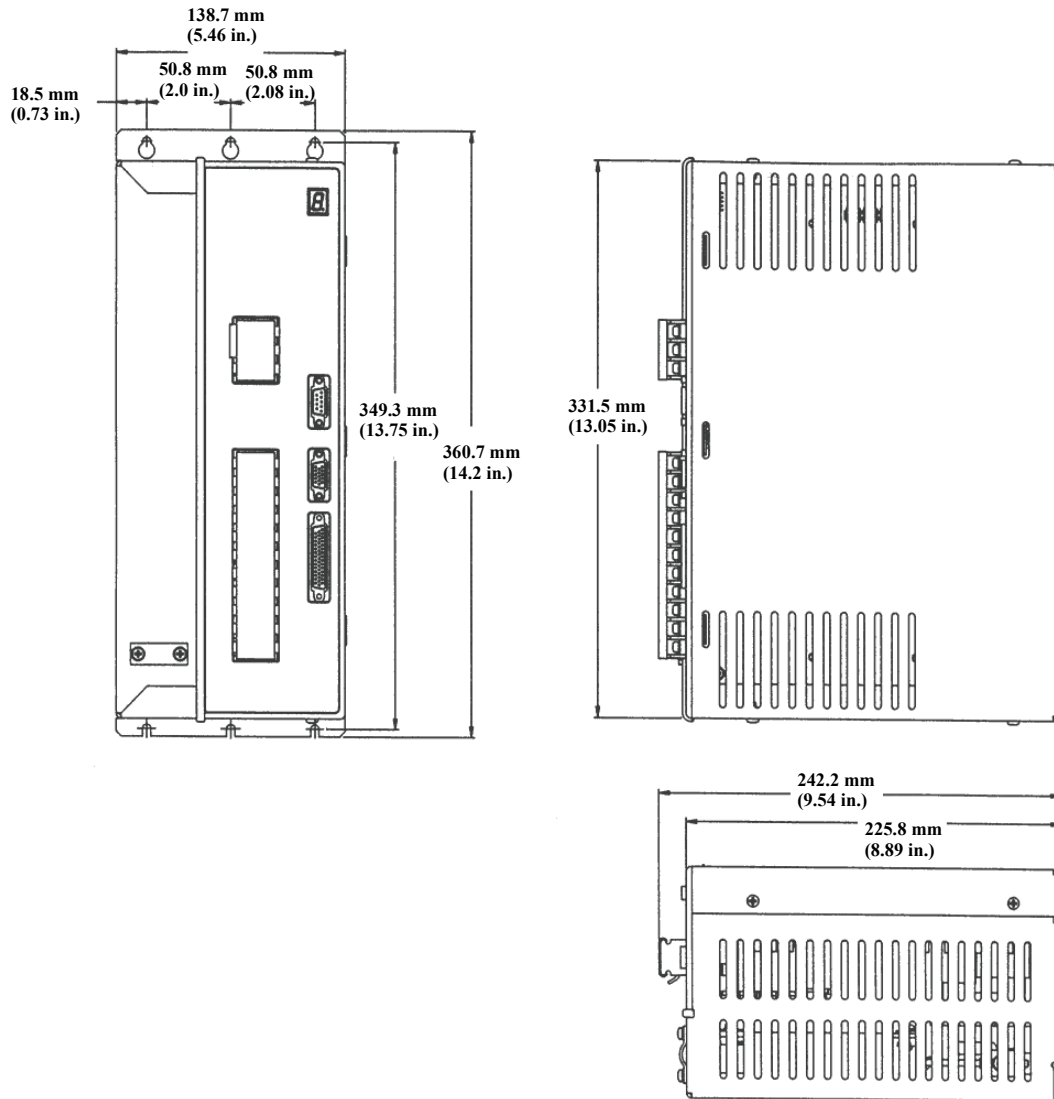
Dimensions and Mounting Diagram DSA175-230, -P, -S



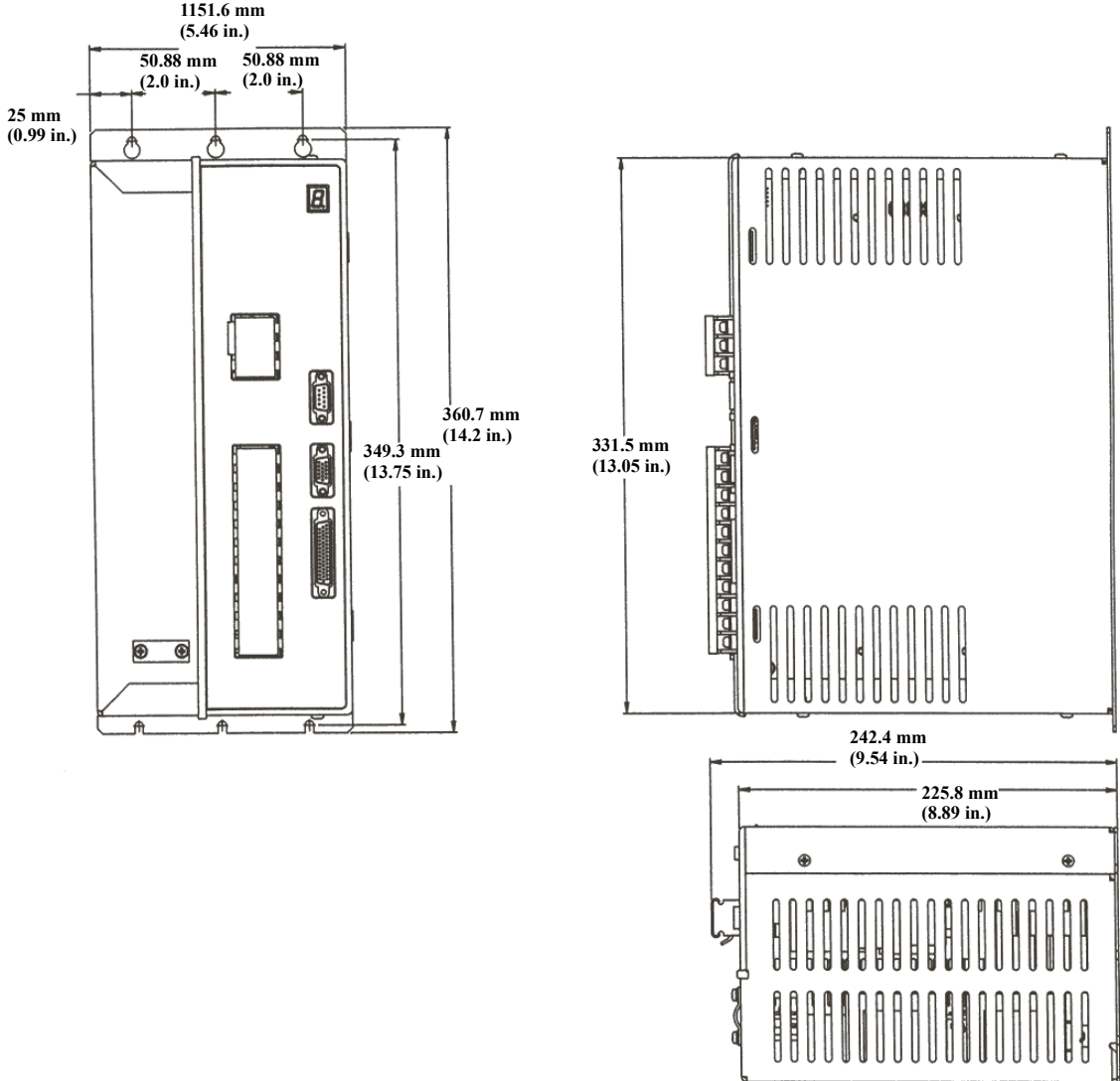
Dimensions and Mounting Diagram DSA1150-230, -P, -S



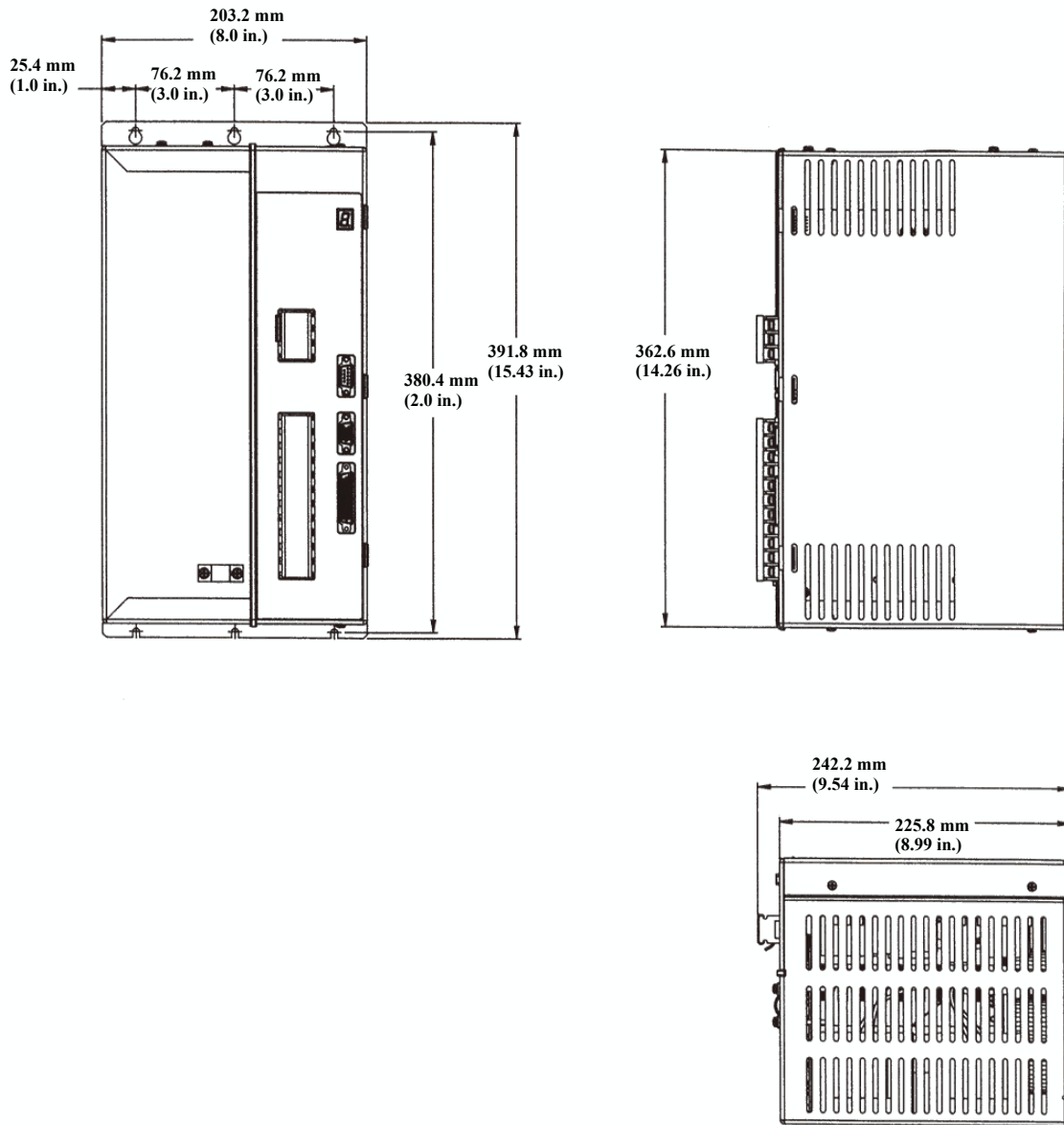
Dimensions and Mounting Diagram DSA014-460, DSA022-460, -P, -S



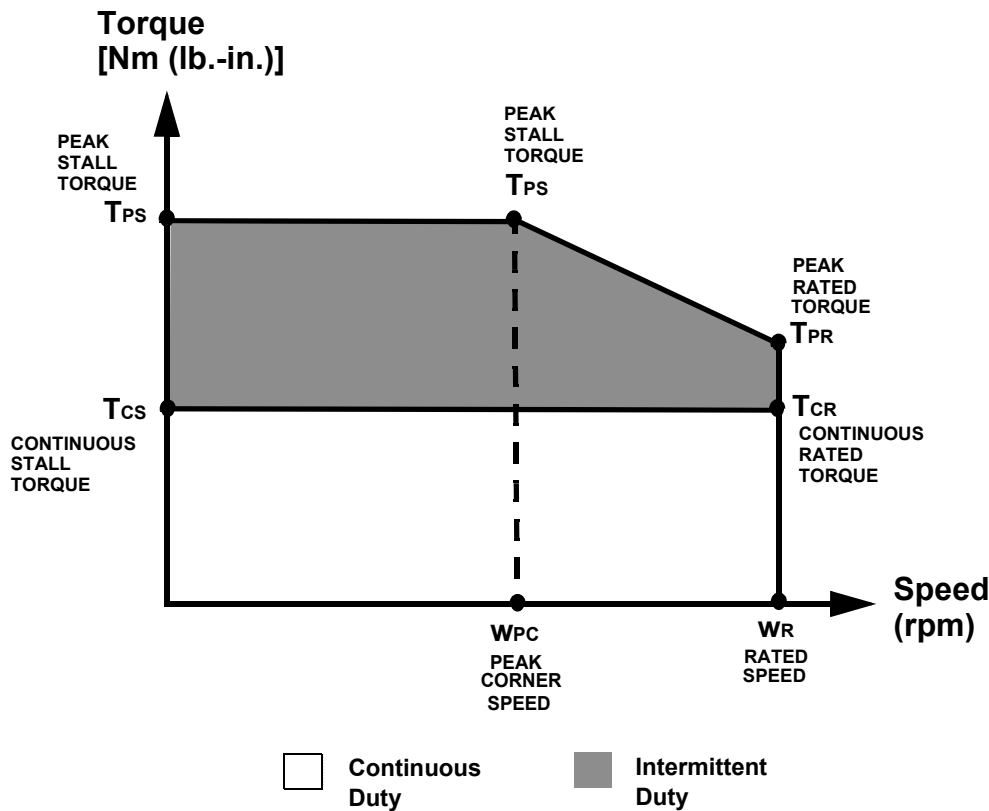
Dimensions and Mounting Diagram DSA046-460, DSA-68-460, -P, -S



Dimensions and Mounting Diagram DSA094-460, -P, -S



Building Servo Drive and Motor Systems



The performance characteristics of a motor/drive combination are illustrated by a torque/speed range. The shaded areas represent continuous duty and intermittent duty zones for the system.

Drive and Motor Performance Curve

Continuous Duty Zone

The system can operate continuously anywhere within this zone, provided the ambient temperature is 40 degrees Celsius or less and the motor is mounted properly.

Intermittent Duty Zone

The peak torque is limited by the motor characteristics and the maximum current that the drive can produce.

Definitions

TCS - The torque that the motor can produce continuously at zero speed.

TPS - The maximum torque that the motor will produce.

TCR - The maximum torque that the motor can produce at the rated speed.

WR - Rated motor speed.

WPC - Peak torque is constant up to this speed.

Motor/Drive Performance Data, 115V ac, 165V dc bus

Motor Model	Drive Model	Cont. Stall Torque Tcs ¹ Nm (lb.-in.)	Cont. Rated Torque TCR ¹ Nm (lb.-in.)	Peak Stall Torque TPS ¹ Nm (lb.-in.)	Peak Rated Torque TPR ¹ Nm (lb.-in.)	Rated Speed WR ¹ rpm	Peak Corner Speed WPC ¹ rpm	Cont. Stall Current Ics	Inertia J kgm ² (lb.-in-S ²)
NSM Series²									
NSM2302	DSA007	0.2 (1.7)	0.2 (1.46)	0.5 (4.7)	0.5 (4.7)	6000	6000	2.70	0.000009 (0.00008)
NSM2304	DSA007	0.4 (3.5)	0.4 (3.5)	1.1 (10)	1.1 (10.0)	5000	3500	2.70	0.00002 (0.00016)
	DSA015	0.5 (4.4)	0.4 (3.9)	1.4 (13)	1.4 (12.5)	4500	2800	2.70	0.00002 (0.00016)
YSM Series²									
YSM102-115V	DSA007	0.17 (1.5)	0.1 (1.3)	0.48 (4.3)	0.5 (4.3)	4500	4500	2.1	0.0000031 (0.000027)
YSM103-115V	DSA015	0.35 (3.1)	0.3 (2.3)	1.0 (8.6)	1.0 (8.6)	4500	4500	3.1	0.0000051 (0.000045)
YSM206-115V	DSA030	0.69 (6.1)	0.5 (4.4)	1.92 (17)	1.9 (17)	4500	4500	6.1	0.000015 (0.00013)
YSM212-115V	DSA030	1.35 (12)	1.1 (9.6)	3.8 (33.7)	1.9 (17)	3800	3500	5.2	0.000025 (0.00023)
YSM323-230V	DSA030	2.5 (22.5)	1.9 (17.2)	7.12 (63)	4.5 (40)	2500	2000	8.1	0.000064 (.00056)

¹See page 28 for definitions of ratings.

²In a 40° C ambient, with motors mounted on aluminum heatsinks. Motors NSM 2302/2304: 0.25" x 8" x 8", YSM 102/103: 0.125" x 6" x 6", YSM 206/212: 0.250" x 8" x 8", YSM 323: 0.25" x 10" x 10".

Note: For complete Speed/Torque Curves, refer to the motor information tables at <http://www.glcontrols.com>.

Motor/Drive Performance Data, 230V ac, 310V dc bus

Motor Model	Drive Model	Cont. Stall Torque T _{CS} ¹ Nm (lb.-in.)	Cont. Rated Torque T _{CR} ¹ Nm (lb.-in.)	Peak Stall Torque T _{PS} ¹ Nm (lb.-in.)	Peak Rated Torque T _{PR} ¹ Nm (lb.-in.)	Rated Speed W _R ¹ rpm	Peak Corner Speed W _{PC} ¹ rpm	Cont. Stall Current I _{CS}	Inertia J kgm ² (lb.-in.-S ²)
LSM Series									
LSM54-3-602	DSA007	0.33 (3)	0.18 (1.6)	1.32 (12)	.42 (3.69)	6000	1900	1.0	0.00003 (0.0000029)
LSM63-6-602	DSA007	0.70 (6)	0.44 (3.9)	2.42 (21)	.73 (6.5)	6000	3100	2.1	0.00001 (0.00011)
LSM63-12-602	DSA015	1.40 (12)	0.84 (7.4)	5.3 (46.9)	2.48 (22)	6000	2750	4.1	0.00002 (0.00017)
LSM75-21-602	DSA030	2.36 (21)	1.34 (11.9)	8.8 (78)	1.34 (11.9)	6000	1500	5.5	0.00003 (0.00029)
LSM75-29-602	DSA030	3.30 (29)	2.00 (17.7)	12.00 (106)	2.00 (17.7)	6000	1950	8.3	0.00004 (0.00039)
LSM100-22-454	DSA015	2.50 (22)	2.10 (18.6)	10.12 (90)	3.60 (31.9)	2250	1250	3.3	0.00012 (0.0011)
LSM100-35-454	DSA015	4.00 (35)	3.25 (28.8)	10.62 (94)	5.10 (45.1)	2250	1750	5.0	0.00014 (0.0013)
LSM100-46-454	DSA030	5.20 (46)	4.23 (37.4)	16.00 (142)	7.00 (62.0)	2250	1500	6.4	.00017 (0.0015)
LSM130-78-454	DSA130	8.80 (78)	7.10 (62.8)	22.40 (198)	10.80 (95.6)	2250	1850	10.7	0.00041 (0.0036)
LSM130-102-304	DSA030	11.50 (102)	10.0 (88.5)	32.43 (287)	14.00 (123.9)	1500	1400	9.6	0.00055 (0.0049)
MSM Series									
MSM100-6-604	DSA007	0.70 (6)	0.7 (6)	2.86 (25)	1.0 (8.9)	3000	1850	2.0	0.00015 (0.0013)
MSM100-14-604	DSA015	1.50 (14)	1.45 (12.8)	6.78 (60)	3.60 (31.9)	3000	2000	3.4	0.00021 (0.0019)
MSM115-34-404	DSA015	3.80 (34)	3.70 (32.7)	11.54 (102)	4.0 (35.4)	2000	1300	4.5	0.00057 (0.0050)
MSM115-62-404	DSA030	7.00 (62)	6.90 (61.1)	22.00 (195)	8.0 (70.8)	2000	1500	7.8	0.00102 (0.0090)
MSM115-89-404	DSA130	10.00 (89)	9.50 (84.1)	25.13 (222)	11.0 (97.4)	2000	1600	10.9	0.00157 (0.0139)
MSM165-93-204	DSA030	10.50 (93)	10.30 (91.2)	34.00 (301)	10.5 (92.9)	1000	550	6.2	0.00224 (0.0198)
MSM165-146-304	DSA130	16.50 (146)	15.70 (138.9)	30.98 (274)	16.0 (141.6)	1500	1200	13.6	0.00360 (0.0319)

¹ See page 28 for definitions of ratings
 Note: For complete Speed/Torque Curves, refer to the motor information tables at <http://www.glcontrols.com>.

Motor/Drive Performance Data, 230V ac, 325V dc bus (cont.)									
Motor Model	Drive Model	Cont. Stall Torque Tcs ¹ Nm (lb.-in.)	Cont. Rated Torque TCR ¹ Nm (lb.-in.)	Peak Stall Torque TPS ¹ Nm (lb.-in.)	Peak Rated Torque TPR ¹ Nm (lb.-in.)	Rated Speed WR ¹ rpm	Peak Corner Speed Wpc ¹ rpm	Cont. Stall Current Ics	Inertia J kgm ² (lb.-in.-S ²)
NSM Series²									
NSM2302	DSA007	0.2 (1.7)	0.2 (1.46)	0.5 (4.7)	0.5 (4.7)	6000	6000	2.7	0.000009 (0.00008)
NSM2304	DSA007	0.4 (3.5)	0.4 (3.5)	1.1 (10)	1.1 (10.0)	6000	6000	2.7	0.00002 (0.00016)
	DSA015	0.5 (4.4)	0.4 (3.9)	1.4 (13.0)	1.4 (12.5)	6000	6000	2.7	0.00002 (0.00016)
NSM3406	DSA015	0.8 (6.8)	0.5 (4.3)	2.1 (18.5)	2.1 (18.5)	6000	6000	5.0	0.00008 (0.0007)
NSM3412	DSA015	1.6 (13.8)	1.4 (12)	4.1 (36.0)	1.7 (15)	5500	4000	5.2	0.00015 (0.0013)
NSM4214	DSA015	2.0 (17.7)	1.8 (16)	5.7 (45.0)	2.3 (20)	4500	3500	6.0	0.00024 (0.0021)
NSM4220	DSA030	2.5 (22.0)	1.7 (15)	7.1 (63.0)	5.6 (50)	5000	4000	11.0	0.00035 (0.0031)
	DSA130	2.9 (26.0)	1.7 (15)	7.1 (63.0)	5.6 (50)	5000	4000	11.0	0.00035 (0.0031)
NSM5630	DSA030	3.4 (30.0)	2.9 (26)	10.7 (95.0)	8.5 (75)	4000	3000	11.0	0.0009 (0.008)
	DSA130	3.8 (34.0)	2.9 (26)	10.7 (95.0)	8.5 (75)	4000	3000	11.0	0.0009 (0.008)
NSM5637	DSA030	4.5 (40.0)	4.0 (35)	13.0 (120)	4.0 (35)	4000	3000	11.5	0.0011 (0.01)
	DSA130	5.2 (46.0)	4.0 (35)	13.0 (120)	4.0 (35)	4000	3000	11.5	0.0011 (0.01)
NSM5647	DSA030	5.9 (52.0)	4.5 (40)	17.0 (150)	10.6 (94)	3000	2000	10.5	0.0015 (0.013)
	DSA130	6.0 (53.0)	4.5 (40)	17.0 (150)	10.6 (94)	3000	2000	10.5	0.0015 (0.013)

¹ See page 28 for definitions of ratings

² In a 40° C ambient with motors mounted on aluminum heatsinks. Motors NSM 2302/2304: 0.25" x 8" x 8", NSM 3406/3412: 0.25" x 10" x 10", NSM 4214/4220/5630/5637/5647: 0.50" x 12" x 12".

Note: For complete Speed/Torque Curves, refer to the motor information tables at <http://www.glecontrols.com>.

Building Servo Drive and Motor Systems

Motor/Drive Performance Data, 230V ac, 325V dc bus (cont.)									
Motor Model	Drive Model	Cont. Stall Torque Tcs ¹ Nm (lb.-in.)	Cont. Rated Torque TCR ¹ Nm (lb.-in.)	Peak Stall Torque Tps ¹ Nm (lb.-in.)	Peak Rated Torque TPR ¹ Nm (lb.-in.)	Rated Speed WR ¹ rpm	Peak Corner Speed Wpc ¹ rpm	Cont. Stall Current Ics	Inertia J kgm ² (lb.-in.-S ²)
HSM Series²									
HSM205	DSA110	0.57 (5.0)	0.5 (4.2)	1.2 (10)	1.2 (10)	6000	6000	5.0	0.000015 (0.00013)
HSM307	DSA015	0.79 (7.0)	0.7 (6.5)	2.49 (22)	0.7 (6.5)	5000	3000	3.5	0.000030 (0.00027)
HSM320	DSA030	2.26 (20)	1.8 (16)	4.97 (44)	5.0 (44)	5000	5000	9.5	0.000080 (0.00072)
HSM430	DSA030	3.4 (30)	2.9 (26)	8.3 (73)	6.8 (60)	4000	4000	8.0	0.00025 (0.0022)
HSM460	DSA130	6.8 (60)	5.4 (48)	13.6 (120)	9.6 (85)	4000	2000	16.0	0.00046 (0.0041)
	DSA175	6.8 (60)	5.4 (48)	21.5 (190)	9.6 (85)	4000	3000	16.0	0.00046 (0.0041)
HSM490	DSA130	9.9 (88)	8.2 (73)	20.3 (180)	11.5 (102)	3000	2000	17.0	0.00068 (0.0060)
	DSA175	9.9 (88)	8.2 (73)	30.5 (270)	13.6 (120)	3000	1500	17.0	0.00068 (0.0060)
HSM610	DSA175	12.4 (110)	7.9 (70)	32.8 (290)	16.9 (150)	3000	2000	23.0	0.0014 (0.012)
HSM620	DSA175	21.4 (190)	8.5 (75)	40.7 (360)	22.6 (200)	3000	2000	45.0	0.0024 (0.021)
	DSA1150	24.4 (216)	14.0 (124)	54.2 (480)	33.9 (300)	3000	2500	45.0	0.0024 (0.021)
HSM630	DSA1150	33.9 (300)	16.9 (150)	79.1 (700)	44.1 (390)	3000	2000	65.0	0.0034 (0.030)
HSM835	DSA1150	39.55 (350)	23.4 (207)	67.8 (600)	67.8 (600)	2000	2000	54.0	0.0063 (.056)
HSM845	DSA1150	50.85 (450)	29.5 (261)	108 (960)	71.2 (630)	2000	1500	70.0	0.0094 (.083)

¹ See page 28 for definitions of ratings

² In a 40° C ambient with motors mounted on aluminum heatsinks. Motors HSM 307/320: .25" x 10" x 10", HSM 430, 460, 490: 0.5" x 12" x 12", HSM 610/ 620/ 630/ 835/ 845: 1" x 12" x 12".

Note: For complete Speed/Torque Curves, refer to the motor information tables at <http://www.glcontrols.com>.

Motor/Drive Performance Data, 230V ac, 325V dc bus (cont.)									
Motor Model	Drive Model	Cont. Stall Torque T _{cs} ¹ Nm (lb.-in.)	Cont. Rated Torque T _{CR} ¹ Nm (lb.-in.)	Peak Stall Torque T _{PS} ¹ Nm (lb.-in.)	Peak Rated Torque T _{PR} ¹ Nm (lb.-in.)	Rated Speed W _R ¹ rpm	Peak Corner Speed W _{PC} ¹ rpm	Cont. Stall Current I _{cs}	Inertia J kgm ² (lb.-in.-S ²)
FSM Series²									
FSM430	DSA030	3.5 (31)	3.3 (29)	11.3 (100)	3.3 (29)	3600	2000	8.0	0.0010 (0.009)
FSM460	DSA030	5.2 (46)	4.5 (40)	13.6 (120)	4.5 (40)	3600	2500	15.9	0.0021 (0.019)
	DSA130	6.9 (61)	6.0 (53)	13.6 (120)	8.0 (71)	4000	3000	15.9	0.0021 (0.019)
FSM490	DSA130	9.3 (82)	8.0 (71)	19.2 (170)	10.4 (92)	3000	2000	15.9	0.0032 (0.029)
	DSA175	9.3 (82)	8.0 (71)	19.2 (170)	10.4 (92)	3000	2800	15.9	0.0032 (0.029)
FSM610	DSA175	13.0 (115)	12.0 (106)	31 (75)	18.1 (160)	3000	2200	22.8	0.0064 (0.057)
FSM620	DSA175	19.8 (175)	17.5 (155)	39.5 (350)	39.5 (350)	3000	2500	35.3	0.0107 (0.095)
	DSA1150	19.8 (175)	17.5 (155)	39.5 (350)	39.5 (350)	3000	3000	35.3	0.0107 (0.095)
FSM630	DSA175	23.7 (210)	21.5 (190)	49.7 (440)	21.5 (190)	3000	2000	47.0	0.0162 (0.144)
	DSA1150	23.7 (210)	21.5 (190)	56.5 (500)	56.5 (500)	3000	3000	47.0	0.0162 (0.144)
YSM Series²									
YSM102-230V	DSA007	0.17 (1.5)	0.1 (1.3)	0.48 (4.3)	0.5 (4.3)	4500	4500	1.2	0.0000031 (0.000027)
YSM103-230V	DSA007	0.35 (3.1)	0.3 (2.3)	0.97 (8.6)	1.0 (8.6)	4500	4500	1.8	0.0000051 (0.000045)
YSM206-230V	DSA015	0.69 (6.1)	0.5 (4.4)	1.92 (17)	1.9 (17)	4500	4500	3.6	0.000015 (0.00013)
YSM212-230V	DSA015	1.35 (12)	1.1 (9.6)	3.8 (33.7)	1.9 (17)	4500	3500	4.1	0.000026 (0.00023)
YSM323-230V	DSA030	2.5 (22.5)	1.9 (17.2)	7.12 (63)	4.5 (40)	4500	3500	8.1	0.000064 (0.00056)

¹ See page 28 for definitions of ratings

² In a 40° C ambient with motors mounted on aluminum heatsinks. Motors FSM 430/460/490: 0.5" x 12" x 12". Motors YSM 102/103: 0.125" x 6" x 6", YSM 206/212: 0.250" x 8" x 8", YSM 323: 0.250" x 10" x 10".

Note: For complete Speed/Torque Curves, refer to the motor information tables at <http://www.glcontrols.com>.

Building Servo Drive and Motor Systems

Motor/Drive Performance Data, 230V ac, 325V dc bus (cont.)									
Motor Model	Drive Model	Cont. Stall Torque Tcs ¹ Nm (lb.-in.)	Cont. Rated Torque TCR ¹ Nm (lb.-in.)	Peak Stall Torque TPS ¹ Nm (lb.-in.)	Peak Rated Torque TPR ¹ Nm (lb.-in.)	Rated Speed WR ¹ rpm	Peak Corner Speed Wpc ¹ rpm	Cont. Stall Current Ics	Inertia J kgm ² (lb.-in-S ²)
XSM Series²									
XSM100-14-502	DSA015-230	1.58 (14)	1.24 (11)	3.61 (32)	1.47 (13)	5000	2700	4.85	.000044 (0.00039)
XSM100-14-302	DSA007-230	1.24 (11)	1.24 (11)	2.94 (26)	1.47 (13)	3000	1900	3.20	.000044 (0.00039)
	DSA015-230	1.58 (14)	1.47 (13)	3.61 (32)	1.47 (13)	3000	1400	3.20	.000044 (0.00039)
XSM100-27-502	DSA030-230	3.05 (27)	2.15 (19)	7.91 (70)	2.15 (19)	5000	2200	9.0	.000078 (0.00069)
XSM100-27-352	DSA015-230	2.48 (22)	2.26 (20)	6.44 (57)	2.6 (20)	3500	2250	6.1	.000078 (0.00069)
	DSA030-230	3.05 (27)	2.26 (20)	7.91 (70)	2.6 (20)	3500	1850	6.1	.000078 (0.00069)
XSM100-37-502	DSA130-230	4.18 (37)	3.39 (30)	9.60 (85)	3.39 (30)	5000	2500	12.0	.00012 (0.0010)
	DSA175-230	4.18 (37)	3.39 (30)	11.1 (98)	3.95 (35)	5000	2400	12.0	.00012 (0.0010)
XSM115-42-502	DSA130-230	4.74 (42)	3.95 (35)	10.2 (90)	4.74(42)	5000	3300	12.7	.00026 (0.0023)
	DSA175-230	4.74 (42)	3.95 (35)	13.5 (120)	5.20 (46)	5000	3050	12.7	.00026 (0.0023)
XSM115-53-502	DSA130-230	5.42 (48)	4.29 (38)	10.2 (90)	6.33 (56)	5000	3600	16.8	.00038 (0.0033)
	DSA175-230	5.99 (53)	4.29 (38)	19.8 (175)	8.36 (74)	5000	3200	16.8	.00038 (0.0033)
XSM115-55-352	DSA130-230	6.21 (55)	4.97 (44)	14.7 (130)	7.34 (65)	3500	2100	12.2	.00038 (0.0033)
	DSA175-230	6.21 (55)	4.97 (44)	19.8 (175)	9.04 (80)	3500	2300	12.2	.00038 (0.0033)
XSM130-53-502	DSA130-230	5.08 (45)	4.29 (38)	9.26 (82)	4.29 (38)	5000	3500	17.5	.00028 (0.0024)
	DSA175-230	5.99 (53)	4.29 (38)	13.5 (120)	5.20 (46)	5000	3000	17.5	.00028 (0.0024)
XSM130-53-402	DSA130-230	5.99 (53)	4.97 (44)	11.3 (100)	5.87 (52)	4000	2800	15.0	.00028 (0.0024)
	DSA175-230	5.99 (53)	4.97 (44)	13.5 (120)	6.78 (60)	4000	3000	15.0	.00028 (0.0024)
XSM130-72-402	DSA130-230	6.21 (55)	6.10 (54)	11.3 (100)	8.58 (76)	4000	3500	19.5	.0004 (0.0036)
	DSA175-230	8.13 (72)	6.10 (54)	20.3 (180)	10.7 (95)	4000	2650	19.5	.0004 (0.0036)

¹ See page 28 for definitions of ratings

² In a 40° C ambient with motors mounted on aluminum heatsinks. Motors XSM 100/115/130/165: 0.5" x 12" x 12".

Note: For complete Speed/Torque Curves, refer to the motor information tables at <http://www.glecontrols.com>.

Motor/Drive Performance Data, 230V ac, 325V dc bus (cont.)									
Motor Model	Drive Model	Cont. Stall Torque Tcs ¹ Nm (lb.-in.)	Cont. Rated Torque TCR ¹ Nm (lb.-in.)	Peak Stall Torque TPS ¹ Nm (lb.-in.)	Peak Rated Torque TPR ¹ Nm (lb.-in.)	Rated Speed WR ¹ rpm	Peak Corner Speed Wpc ¹ rpm	Cont. Stall Current Ics	Inertia J kgm ² (lb.-in.-S ²)
XSM Series² (cont.)									
XSM130-74-282	DSA130-230	8.36 (74)	6.55 (58)	17.5 (155)	6.55 (56)	2800	1850	13.4	.0004 (0.0036)
	DSA175-230	8.36 (74)	6.55 (58)	20.3 (180)	9.04 (80)	2800	1700	13.4	.0004 (0.0036)
XSM130-90-302	DSA130-230	8.25 (73)	8.25 (73)	15.8 (140)	10.2 (90)	3000	2500	18.4	.00052 (0.0046)
	DSA175-230	10.2 (90)	8.36 (74)	27.1 (240)	13.5 (120)	3000	1900	18.4	.00052 (0.0046)
XSM130-90-152	DSA030-230	10.2 (90)	9.60 (85)	27.1 (240)	11.3 (100)	1500	900	9.4	.00052 (0.0046)
XSM165-95-402	DSA175-230	10.7 (95)	5.9 (52)	24.0 (212)	5.9 (52)	4000	1500	23	.00078 (0.0069)
	DSA1150-230	10.7 (95)	8.1 (72)	24.3 (215)	9.0 (80)	4000	2000	23	.00078 (0.0069)
XSM165-172-402	DSA175-230	19.4 (172)	12.5 (111)	48.6 (430)	19.2 (170)	4000	2000	41.5	.00147 (0.013)

¹ See page 28 for definitions of ratings

² In a 40° C ambient with motors mounted on aluminum heatsinks. Motors XSM 100/115/130/165: 0.5" x 12" x 12".

Note: For complete Speed/Torque Curves, refer to the motor information tables at <http://www.glcontrols.com>.

Motor/Drive Performance Data, 460V ac, 620V dc bus

Motor Model	Drive Model	Cont. Stall Torque T _{cs} ¹ Nm (lb.-in.)	Cont. Rated Torque T _{cr} ¹ Nm (lb.-in.)	Peak Stall Torque T _{ps} ¹ Nm (lb.-in.)	Peak Rated Torque T _{pr} ¹ Nm (lb.-in.)	Rated Speed W _R ¹ rpm	Peak Corner Speed W _{pc} ¹ rpm	Cont. Stall Current I _{cs}	Inertia J kgm ² (lb.-in.-S ²)
LSM Series									
LSM100-22-454	DSA014-460	2.5 (22)	1.9 (16.8)	9 (84)	3.6 (31.9)	4500	2700	3.3	0.00012 (0.0011)
LSM100-35-454	DSA014-460	4.0 (35)	2.5 (22.1)	10 (88)	5.1 (45.1)	4500	3650	5.0	0.00014 (0.0013)
LSM100-46-454	DSA014-460	5.2 (46)	2.9 (25.7)	11 (94)	7.0 (62.0)	4500	3900	6.4	0.00017 (0.0015)
LSM130-78-454	DSA022-460	8.8 (78)	5.0 (44.3)	16 (145)	10.8 (95.6)	4500	4100	10.7	0.00041 (0.0036)
LSM130-102-304	DSA022-460	11.5 (102)	7.7 (68.1)	24 (211)	18.9 (167.3)	3000	2950	9.6	0.00055 (0.0049)
LSM165-119-454	DSA046-460	13.5 (119)	7.2 (63.7)	33 (294)	14.0 (123.9)	4500	3450	16.4	0.00092 (0.0081)
LSM165-173-304	DSA046-460	19.5 (173)	12.6 (111.5)	48 (424)	25.7 (227.4)	3000	2400	16.5	0.00128 (0.0113)
LSM165-221-454	DSA068-460	25.0 (221)	11.0 (97.4)	51 (448)	28.3 (250.5)	4500	3900	30.3	0.00165 (0.0146)
LSM215-301-304	DSA068-460	34.0 (301)	21.0 (185.9)	66 (588)	41.0 (362.9)	3000	2500	30.4	0.00425 (0.0376)
LSM215-451-204	DSA068-460	51.0 (45)	37.0 (327.5)	101 (897)	61.4 (543.4)	2000	1650	29.7	0.00600 (0.0531)
LSM215-589-204	DSA094-460	66.5 (589)	45.0 (398.3)	137 (1212)	88.0 (778.8)	2000	1700	38.9	0.00770 (0.0681)
MSM Series									
MSM100-6-604	DSA014-460	0.7 (6)	0.54 (4.8)	3.3 (29.2)	1.2 (11.0)	6000	3000	2.0	0.00015 (0.0013)
MSM100-14-604	DSA014-460	1.5 (14)	1.0 (8.9)	6 (56)	3.4 (30.1)	6000	4250	3.4	0.00021 (0.0019)
MSM115-34-404	DSA014-460	3.8 (34)	3.4 (30.1)	11 (95)	3.8 (33.6)	4000	2800	4.5	0.00057 (0.0050)
MSM115-62-404	DSA014-460	7.0 (62)	5.6 (49.6)	11 (101)	7.0 (62.0)	4000	3700	7.8	0.00102 (0.0090)
	DSA022-460	7.0 (62)	5.6 (49.6)	13 (112)	7.0 (62.0)	4000	3600	7.8	0.00102 (0.0090)
MSM115-89-404	DSA022-460	10.0 (89)	6.9 (61.1)	18 (163)	8.0 (70.8)	4000	3550	10.9	0.00157 (0.0139)
MSM165-93-204	DSA014-460	10.5 (93)	10.3 (91.2)	20 (176)	10.8 (95.6)	2000	1700	6.2	0.00224 (0.0198)
MSM165-146-304	DSA046-460	16.5 (146)	13.4 (118.6)	47 (420)	14.6 (129.2)	3000	1900	13.6	0.00360 (0.0319)
MSM215-221-304	DSA046-460	25.0 (221)	19.9 (176.1)	49 (438)	21.0 (185.9)	3000	2250	20.5	0.00740 (0.0655)
MSM215-319-304	DSA068-460	36.0 (319)	24.6 (217.7)	73 (645)	26.3 (232.8)	3000	2200	28.7	0.01080 (0.0956)
MSM215-407-304	DSA094-460	46.0 (407)	27.1 (239.8)	102 (907)	29.1 (257.5)	3000	2050	36.6	0.01410 (0.1248)
MSM215-505-304	DSA094-460	57.0 (505)	28.1 (248.7)	102 (905)	28.3 (250.5)	3000	2350	45.5	0.01750 (0.1549)

¹ See page 28 for definitions of ratings

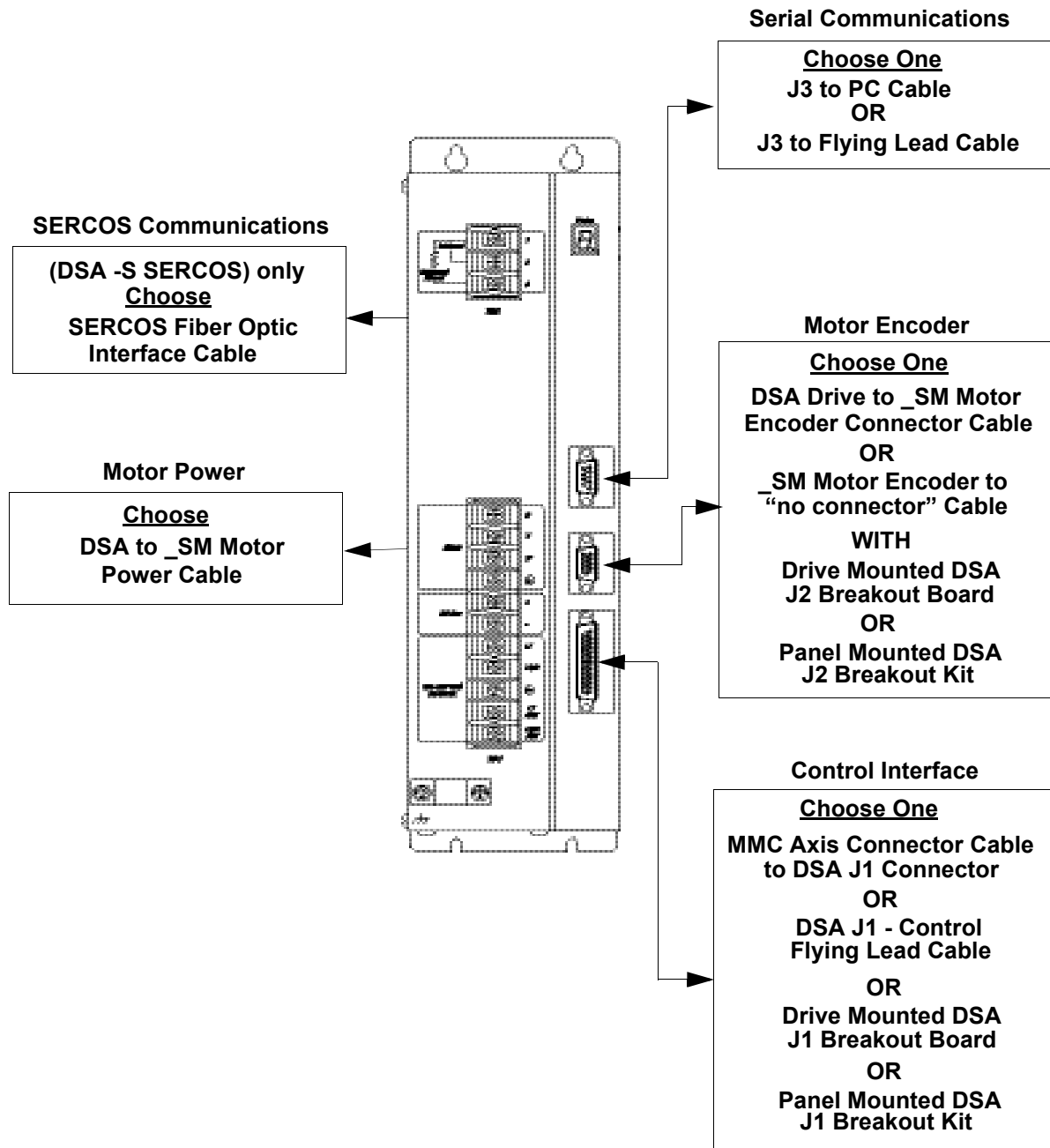
Note: For complete Speed/Torque Curves, refer to the motor information tables at <http://www.glcontrols.com>.

Motor/Drive Performance Data, 460V ac, 540V dc bus (cont.)									
XSM Series ²									
Motor Model	Drive Model	Cont. Stall Torque Tcs ¹ Nm (lb.-in.)	Cont. Rated Torque Tcr ¹ Nm (lb.-in.)	Peak Stall Torque Tps ¹ Nm (lb.-in.)	Peak Rated Torque Tpr ¹ Nm (lb.-in.)	Rated Speed WR ¹ rpm	Peak Corner Speed Wpc ¹ rpm	Cont. Stall Current Ics	Inertia J kgm ² (lb.-in-S ²)
XSM100-14-504	DSA014-460	1.58 (14)	1.47 (13)	3.61 (32)	1.69 (15)	5000	3000	2.3	0.000044 (0.00039)
XSM100-27-504	DSA014-460	3.05 (27)	2.82 (25)	7.91 (70)	2.82 (25)	5000	2200	4.2	0.000078 (0.00069)
XSM100-37-504	DSA014-460	4.18 (37)	3.39 (30)	9.26 (82)	4.41 (39)	5000	3300	5.7	0.00012 (0.001)
	DSA022-460	4.18 (37)	3.39 (30)	11.1 (98)	4.75 (42)	5000	2750	5.7	0.00012 (0.001)
XSM115-42-504	DSA014-460	4.74 (42)	3.61 (32)	9.83 (87)	5.88 (52)	5000	4100	6.3	0.00026 (0.0023)
	DSA022-460	4.74 (42)	3.61 (32)	13.5 (120)	6.78 (60)	5000	3600	6.3	0.00026 (0.0023)
XSM115-58-504	DSA022-460	6.55 (58)	4.29 (38)	15.2 (135)	10.4 (92)	5000	4300	9.2	0.00038 (0.0033)
	DSA046-460	6.55 (58)	4.29 (38)	19.8 (175)	10.4 (92)	5000	3700	9.2	0.00038 (0.0033)
XSM130-50-504	DSA022-460	5.65 (50)	4.07 (36)	12.6 (112)	7.00 (62)	5000	3300	8.1	0.000028 (0.0024)
	DSA046-460	5.65 (50)	4.07 (36)	13.5 (120)	7.01 (62)	5000	3300	8.1	0.000028 (0.0024)
XSM130-73-304	DSA014-460	8.25 (73)	6.78 (60)	16.4 (145)	9.15 (81)	3000	2300	6.7	0.0004 (0.0036)
	DSA022-460	8.25 (73)	6.78 (60)	20.3 (180)	9.15 (81)	3000	1900	6.7	0.0004 (0.0036)
XSM130-73-404	DSA022-460	8.25 (73)	6.21 (55)	16.4 (145)	12.1 (107)	4000	3400	9.9	0.0004 (0.0036)
	DSA046-460	8.25 (73)	6.21 (55)	20.3 (180)	12.1 (107)	4000	2900	9.9	0.0004 (0.0036)
XSM130-90-304	DSA022-460	10.2 (90)	8.36 (74)	22.6 (200)	15.9 (141)	3000	2500	9.1	0.00052 (0.0046)
	DSA046-460	10.2 (90)	8.36 (74)	27.1 (240)	16.4 (145)	3000	2200	9.1	0.00052 (0.0046)
XSM165-95-404	DSA068-460	10.7 (95)	6.3 (56)	23.2 (205)	6.3 (56)	4000	1500	11.5	0.000783 (0.0069)
XSM165-172-404	DSA068-460	19.4 (172)	12.4 (110)	45.2 (400)	15.3 (135)	4000	2000	20.5	0.0014 (0.013)
XSM215-325-304	DSA068-460	36.7 (325)	18.6 (165)	72.3 (640)	32.2 (285)	3000	1500	32.1	0.004 (0.0354)
XSM215-425-304	DSA094-460	48.0 (425)	16.4 (145)	101.1 (895)	45.2 (400)	3000	2000	38.5	0.0058 (0.051)
XSM215-531-304	DSA094-460	60.0 (531)	20.3 (180)	108.5 (960)	67.8 (600)	3000	1500	48.0	0.00775 (0.0685)

¹ See page 28 for definitions of ratings.

² In a 40° C ambient with motors mounted on aluminum heatsinks. Motors XSM 100/115/130/165: 0.5" x 12" x 12", XSM 215: 1.0" x 12" x 12".

Note: For complete Speed/Torque Curves, refer to the motor information tables at <http://www.glcontrols.com>.



Giddings and Lewis offers a full range of interconnect options to complete your DSA drive system. Select the high quality, plug-and-play cable sets for easy installation. With their 360 degree shielding these cables provide superior noise immunity. Direct connect control interface cables deliver plug-and-play interface to Giddings & Lewis MMC and MMC for PC controls. Drive mount and panel mount breakout boards are available for custom wired applications.

Drive, Motor and Cable Combinations

Micro Drives		
DSA007-230 .5kW		
Motor Model	Motor Power Cable	Feedback Cable
LSM54-3-602	PWR-L&M-001M-MCS-000-16-6H	ENC-L&M-001M-MCS-DCA-26-AA
LSM63-6-602	PWR-L&M-001M-MCS-000-16-6H	ENC-L&M-001M-MCS-DCA-26-AA
MSM100-6-604	PWR-L&M-001M-MCS-000-16-6H	ENC-L&M-001M-MCS-DCA-26-AA
NSM2302	PWR-NSM-001M-MCS-000-16-4A	ENC-NSM-001M-MCS-DCA-28-AA
NSM2304	PWR-NSM-001M-MCS-000-16-4A	ENC-NSM-001M-MCS-DCA-28-AA
YSM102 115V	PWR-YSM-001M-MCS-000-16-4A	ENC-YSM-001M-MCS-DCA-28-AA
YSM102 230V	PWR-YSM-001M-MCS-000-16-4A	ENC-YSM-001M-MCS-DCA-28-AA
YSM103 230V	PWR-YSM-001M-MCS-000-16-4A	ENC-YSM-001M-MCS-DCA-28-AA
XSM100-14-302	PWR-XSM-001M-MCS-000-16-4A	ENC-XSM-001M-MCS-DCA-28-AA
DSA015-230 1kW		
Motor Model	Motor Power Cable	Feedback Cable
LSM63-12-602	PWR-L&M-001M-MCS-000-16-6H	ENC-L&M-001M-MCS-DCA-26-AA
LSM100-22-454	PWR-L&M-001M-MCS-000-16-6H	ENC-L&M-001M-MCS-DCA-26-AA
LSM100-35-454	PWR-L&M-001M-MCS-000-16-6H	ENC-L&M-001M-MCS-DCA-26-AA
MSM100-14-604	PWR-L&M-001M-MCS-000-16-6H	ENC-L&M-001M-MCS-DCA-26-AA
MSM115-34-404	PWR-L&M-001M-MCS-000-16-6H	ENC-L&M-001M-MCS-DCA-26-AA
NSM2304	PWR-NSM-001M-MCS-000-16-6A	ENC-NSM-001M-MCS-DCA-28-AA
NSM3406	PWR-NSM-001M-MCS-000-16-4A	ENC-NSM-001M-MCS-DCA-28-AA
NSM3412	PWR-NSM-001M-MCS-000-16-4A	ENC-NSM-001M-MCS-DCA-28-AA
NSM4214	PWR-NSM-001M-MCS-000-16-4A	ENC-NSM-001M-MCS-DCA-28-AA
YSM103 115V	PWR-YSM-001M-MCS-000-16-6A	ENC-YSM-001M-MCS-DCA-28-AA
YSM206 230V	PWR-YSM-001M-MCS-000-16-6A	ENC-YSM-001M-MCS-DCA-28-AA
YSM212 230V	PWR-YSM-001M-MCS-000-16-6A	ENC-YSM-001M-MCS-DCA-28-AA
HSM307	PWR-H&F-001M-MCS-000-16-4A	ENC-H&F-001M-MCS-DCA-28-AA
XSM100-14-502	PWR-XSM-001M-MCS-000-16-4A	ENC-XSM-001M-MCS-DCA-28-AA
XSM100-14-302	PWR-XSM-001M-MCS-000-16-4A	ENC-XSM-001M-MCS-DCA-28-AA
XSM100-27-352	PWR-XSM-001M-MCS-000-16-4A	ENC-XSM-001M-MCS-DCA-28-AA

Micro Drives (cont.)		
DSA030-230 2kW		
Motor Model	Motor Power Cable	Feedback Cable
LSM75-21-602	PWR-L&M-001M-MCS-000-16-6H	ENC-L&M-001M-MCS-DCA-26-AA
LSM75-29-602	PWR-L&M-001M-MCS-000-16-6H	ENC-L&M-001M-MCS-DCA-26-AA
LSM100-46-454	PWR-L&M-001M-MCS-000-16-6H	ENC-L&M-001M-MCS-DCA-26-AA
LSM130-102-304	PWR-L&M-001M-MCS-000-16-6H	ENC-L&M-001M-MCS-DCA-26-AA
MSM115-62-404	PWR-L&M-001M-MCS-000-16-6H	ENC-L&M-001M-MCS-DCA-26-AA
MSM165-93-204	PWR-L&M-001M-MCS-000-14-6H	ENC-L&M-001M-MCS-DCA-26-AA
NSM4220	PWR-NSM-001M-MCS-000-16-4A	ENC-NSM-001M-MCS-DCA-28-AA
NSM5630	PWR-NSM-001M-MCS-000-16-4A	ENC-NSM-001M-MCS-DCA-28-AA
NSM5637	PWR-NSM-001M-MCS-000-16-4A	ENC-NSM-001M-MCS-DCA-28-AA
NSM5647	PWR-NSM-001M-MCS-000-16-4A	ENC-NSM-001M-MCS-DCA-28-AA
YSM206 115V	PWR-YSM-001M-MCS-000-16-4A	ENC-YSM-001M-MCS-DCA-28-AA
YSM212 115V	PWR-YSM-001M-MCS-000-16-4A	ENC-YSM-001M-MCS-DCA-28-AA
YSM323 230V	PWR-YSM-001M-MCS-000-16-4A	ENC-YSM-001M-MCS-DCA-28-AA
HSM320	PWR-H&F-001M-MCS-000-16-4A	ENC-H&F-001M-MCS-DCA-28-AA
HSM430	PWR-H&F-001M-MCS-000-14-4A	ENC-H&F-001M-MCS-DCA-28-AA
FSM430	PWR-H&F-001M-MCS-000-14-4A	ENC-H&F-001M-MCS-DCA-28-AA
FSM460	PWR-H&F-001M-MCS-000-14-4A	ENC-H&F-001M-MCS-DCA-28-AA
XSM100-27-502	PWR-XSM-001M-MCS-000-16-4A	ENC-XSM-001M-MCS-DCA-28-AA
XSM100-27-352	PWR-XSM-001M-MCS-000-16-4A	ENC-XSM-001M-MCS-DCA-28-AA
XSM130-90-152	PWR-XSM-001M-MCS-000-16-4A	ENC-XSM-001M-MCS-DCA-28-AA

Standard 230V Drives		
DSA130-230 3kW		
Motor Model	Motor Power Cable	Feedback Cable
LSM130-78-454	PWR-L&M-001M-MCS-000-16-6H	ENC-L&M-001M-MCS-DCA-26-AA
MSM115-89-404	PWR-L&M-001M-MCS-000-16-6H	ENC-L&M-001M-MCS-DCA-26-AA
MSM165-146-304	PWR-L&M-001M-MCS-000-14-6H	ENC-L&M-001M-MCS-DCA-26-AA
NSM4220	PWR-NSM-001M-MCS-000-16-4A	ENC-NSM-001M-MCS-DCA-28-AA
NSM5630	PWR-NSM-001M-MCS-000-16-4A	ENC-NSM-001M-MCS-DCA-28-AA
NSM5637	PWR-NSM-001M-MCS-000-16-4A	ENC-NSM-001M-MCS-DCA-28-AA
NSM5647	PWR-NSM-001M-MCS-000-16-4A	ENC-NSM-001M-MCS-DCA-28-AA
HSM460	PWR-H&F-001M-MCS-000-14-4A	ENC-H&F-001M-MCS-DCA-28-AA
HSM490	PWR-H&F-001M-MCS-000-14-4A	ENC-H&F-001M-MCS-DCA-28-AA
FSM460	PWR-H&F-001M-MCS-000-14-4A	ENC-H&F-001M-MCS-DCA-28-AA
FSM490	PWR-H&F-001M-MCS-000-14-4A	ENC-H&F-001M-MCS-DCA-28-AA
XSM100-37-502	PWR-XSM-001M-MCS-000-14-4A	ENC-XSM-001M-MCS-DCA-28-AA
XSM115-42-502	PWR-XSM-001M-MCS-000-14-4A	ENC-XSM-001M-MCS-DCA-28-AA
XSM115-53-502	PWR-XSM-001M-MCS-000-14-4A	ENC-XSM-001M-MCS-DCA-28-AA
XSM115-55-352	PWR-XSM-001M-MCS-000-14-4A	ENC-XSM-001M-MCS-DCA-28-AA
XSM130-53-502	PWR-XSM-001M-MCS-000-14-4A	ENC-XSM-001M-MCS-DCA-28-AA
XSM130-53-402	PWR-XSM-001M-MCS-000-14-4A	ENC-XSM-001M-MCS-DCA-28-AA
XSM130-72-402	PWR-XSM-001M-MCS-000-14-4A	ENC-XSM-001M-MCS-DCA-28-AA
XSM130-74-282	PWR-XSM-001M-MCS-000-14-4A	ENC-XSM-001M-MCS-DCA-28-AA
XSM130-90-302	PWR-XSM-001M-MCS-000-14-4A	ENC-XSM-001M-MCS-DCA-28-AA

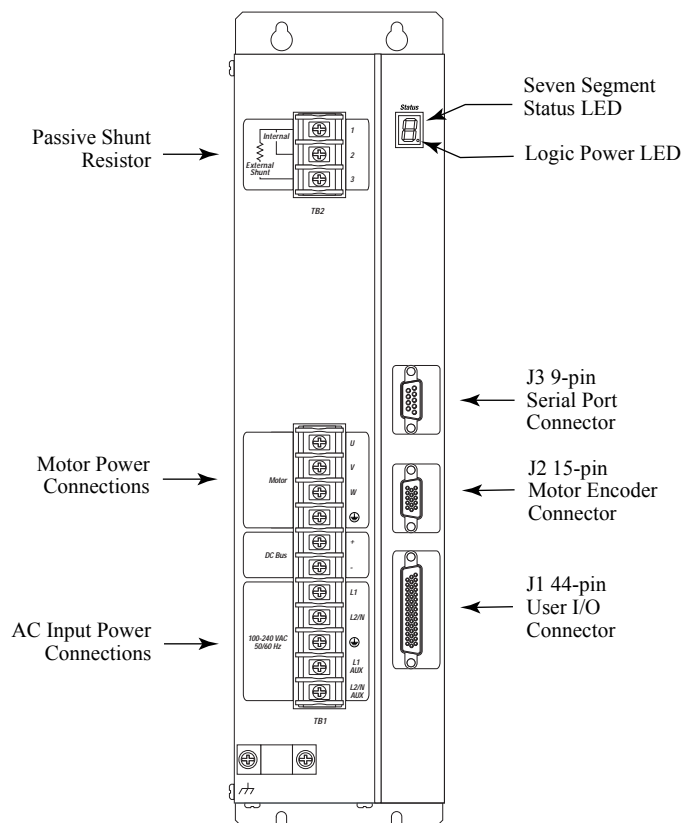
Standard 230V Drives (cont.)		
DSA175-230 7.5kW		
Motor Model	Motor Power Cable	Feedback Cable
HSM460	PWR-H&F-001M-MCS-000-14-4A	ENC-H&F-001M-MCS-DCA-28-AA
HSM490	PWR-H&F-001M-MCS-000-14-4A	ENC-H&F-001M-MCS-DCA-28-AA
HSM610	PWR-H&F-001M-MCS-000-10-4A	ENC-H&F-001M-MCS-DCA-28-AA
HSM620	PWR-H&F-001M-MCS-000-10-4A	ENC-H&F-001M-MCS-DCA-28-AA
FSM490	PWR-H&F-001M-MCS-000-14-4A	ENC-H&F-001M-MCS-DCA-28-AA
FSM610	PWR-H&F-001M-MCS-000-10-4A	ENC-H&F-001M-MCS-DCA-28-AA
FSM620	PWR-H&F-001M-MCS-000-10-4A	ENC-H&F-001M-MCS-DCA-28-AA
FSM630	PWR-H&F-001M-MCS-000-10-4A	ENC-H&F-001M-MCS-DCA-28-AA
XSM100-37-502	PWR-XSM-001M-MCS-000-14-4A	ENC-XSM-001M-MCS-DCA-28-AA
XSM115-42-502	PWR-XSM-001M-MCS-000-14-4A	ENC-XSM-001M-MCS-DCA-28-AA
XSM115-53-502	PWR-XSM-001M-MCS-000-14-4A	ENC-XSM-001M-MCS-DCA-28-AA
XSM115-55-352	PWR-XSM-001M-MCS-000-14-4A	ENC-XSM-001M-MCS-DCA-28-AA
XSM130-53-502	PWR-XSM-001M-MCS-000-14-4A	ENC-XSM-001M-MCS-DCA-28-AA
XSM130-53-402	PWR-XSM-001M-MCS-000-14-4A	ENC-XSM-001M-MCS-DCA-28-AA
XSM130-72-402	PWR-XSM-001M-MCS-000-14-4A	ENC-XSM-001M-MCS-DCA-28-AA
XSM130-74-282	PWR-XSM-001M-MCS-000-14-4A	ENC-XSM-001M-MCS-DCA-28-AA
XSM130-90-302	PWR-XSM-001M-MCS-000-14-4A	ENC-XSM-001M-MCS-DCA-28-AA
XSM165-95-402	PWR-XSM-001M-MCS-000-14-4A	ENC-XSM-001M-MCS-DCA-28-AA
XSM165-172-402	PWR-XSM-001M-MCS-000-10-4A	ENC-XSM-001M-MCS-DCA-28-AA
DSA1150-230 15kW		
Motor Model	Motor Power Cable	Feedback Cable
HSM620	PWR-H&F-001M-MCS-000-10-4A	ENC-H&F-001M-MCS-DCA-28-AA
HSM630	PWR-H&F-001M-MCS-000-10-4A	ENC-H&F-001M-MCS-DCA-28-AA
HSM835	Consult factory	ENC-H&F-001M-MCS-DCA-28-AA
HSM845	Consult factory	ENC-H&F-001M-MCS-DCA-28-AA
FSM620	PWR-H&F-001M-MCS-000-10-4A	ENC-H&F-001M-MCS-DCA-28-AA
FSM630	PWR-H&F-001M-MCS-000-10-4A	ENC-H&F-001M-MCS-DCA-28-AA
XSM165-95-402	PWR-XSM-001M-MCS-000-14-4A	ENC-XSM-001M-MCS-DCA-28-AA

460V Drives		
DSA014-460 3kW		
Motor Model	Motor Power Cable	Feedback Cable
MSM100-6-604	PWR-L&M-001M-MCS-000-16-6H	ENC-L&M-001M-MCS-DCA-26-AA
MSM100-14-604	PWR-L&M-001M-MCS-000-16-6H	ENC-L&M-001M-MCS-DCA-26-AA
MSM115-34-404	PWR-L&M-001M-MCS-000-16-6H	ENC-L&M-001M-MCS-DCA-26-AA
MSM165-93-204	PWR-L&M-001M-MCS-000-14-6H	ENC-L&M-001M-MCS-DCA-26-AA
LSM100-22-454	PWR-L&M-001M-MCS-000-16-6H	ENC-L&M-001M-MCS-DCA-26-AA
LSM100-35-454	PWR-L&M-001M-MCS-000-16-6H	ENC-L&M-001M-MCS-DCA-26-AA
LSM100-46-454	PWR-L&M-001M-MCS-000-16-6H	ENC-L&M-001M-MCS-DCA-26-AA
XSM100-14-504	PWR-L&M-001M-MCS-000-16-6H	ENC-XSM-001M-MCS-DCA-28-AA
XSM100-27-504	PWR-XSM-001M-MCS-000-16-6H	ENC-XSM-001M-MCS-DCA-28-AA
XSM100-37-504	PWR-XSM-001M-MCS-000-16-6H	ENC-XSM-001M-MCS-DCA-28-AA
XSM115-42-504	PWR-XSM-001M-MCS-000-16-6H	ENC-XSM-001M-MCS-DCA-28-AA
XSM130-73-304	PWR-XSM-001M-MCS-000-16-6H	ENC-XSM-001M-MCS-DCA-28-AA

460V Drives (cont.)		
DSA022-460 5kW (cont.)		
Motor Model	Motor Power Cable	Feedback Cable
MSM115-62-404	PWR-L&M-001M-MCS-000-16-6H	ENC-L&M-001M-MCS-DCA-26-AA
MSM115-89-404	PWR-L&M-001M-MCS-000-16-6H	ENC-L&M-001M-MCS-DCA-26-AA
LSM130-78-454	PWR-L&M-001M-MCS-000-16-6H	ENC-L&M-001M-MCS-DCA-26-AA
LSM130-102-304	PWR-L&M-001M-MCS-000-16-6H	ENC-L&M-001M-MCS-DCA-26-AA
XSM100-37-504	PWR-XSM-001M-MCS-000-16-4H	ENC-XSM-001M-MCS-DCA-28-AA
XSM115-42-504	PWR-XSM-001M-MCS-000-16-4H	ENC-XSM-001M-MCS-DCA-28-AA
XSM115-58-504	PWR-XSM-001M-MCS-000-16-4H	ENC-XSM-001M-MCS-DCA-28-AA
XSM130-50-504	PWR-XSM-001M-MCS-000-16-4H	ENC-XSM-001M-MCS-DCA-28-AA
XSM130-73-304	PWR-XSM-001M-MCS-000-16-4H	ENC-XSM-001M-MCS-DCA-28-AA
XSM130-73-404	PWR-XSM-001M-MCS-000-16-4H	ENC-XSM-001M-MCS-DCA-28-AA
XSM130-90-304	PWR-XSM-001M-MCS-000-16-4H	ENC-XSM-001M-MCS-DCA-28-AA
DSA046-460 10kW		
Motor Model	Motor Power Cable	Feedback Cable
MSM165-146-304	PWR-L&M-001M-MCS-000-14-6H	ENC-L&M-001M-MCS-DCA-26-AA
MSM215-221-304	PWR-L&M-001M-MCS-000-14-6H	ENC-L&M-001M-MCS-DCA-26-AA
LSM165-119-454	PWR-L&M-001M-MCS-000-14-6H	ENC-L&M-001M-MCS-DCA-26-AA
LSM165-173-304	PWR-L&M-001M-MCS-000-14-6H	ENC-L&M-001M-MCS-DCA-26-AA
XSM115-58-504	PWR-XSM-001M-MCS-000-16-4H	ENC-XSM-001M-MCS-DCA-26-AA
XSM130-50-504	PWR-XSM-001M-MCS-000-16-4H	ENC-XSM-001M-MCS-DCA-26-AA
XSM130-73-404	PWR-XSM-001M-MCS-000-16-4H	ENC-XSM-001M-MCS-DCA-26-AA
XSM130-90-304	PWR-XSM-001M-MCS-000-16-4H	ENC-XSM-001M-MCS-DCA-26-AA
DSA068-460 15kW		
Motor Model	Motor Power Cable	Feedback Cable
MSM215-319-304	PWR-L&M-001M-MCS-000-12-6H	ENC-L&M-001M-MCS-DCA-26-AA
LSM165-221-454	PWR-L&M-001M-MCS-000-12-6H	ENC-L&M-001M-MCS-DCA-26-AA
LSM215-301-304	PWR-L&M-001M-MCS-000-12-6H	ENC-L&M-001M-MCS-DCA-26-AA
LSM215-451-204	PWR-L&M-001M-MCS-000-12-6H	ENC-L&M-001M-MCS-DCA-26-AA
XSM165-172-404	PWR-XSM-001M-MCS-000-14-4H	ENC-XSM-001M-MCS-DCA-28-AA
XSM165-95-404	PWR-XSM-001M-MCS-000-14-4H	ENC-XSM-001M-MCS-DCA-28-AA
XSM215-325-304	PWR-XSM-001M-MCS-000-08-4H	ENC-XSM-001M-MCS-DCA-28-AA
DSA094-460 22kW		
Motor Model	Motor Power Cable	Feedback Cable
MSM215-407-304	PWR-L&M-001M-MCS-000-08-6H	ENC-L&M-001M-MCS-DCA-26-AA
MSM215-505-304	PWR-L&M-001M-MCS-000-08-6H	ENC-L&M-001M-MCS-DCA-26-AA
LSM215-589-204	PWR-L&M-001M-MCS-000-08-6H	ENC-L&M-001M-MCS-DCA-26-AA
XSM215-425-304	PWR-XSM-001M-MCS-000-08-4H	ENC-XSM-001M-MCS-DCA-28-AA
XSM215-531-304	PWR-XSM-001M-MCS-000-08-4H	ENC-XSM-001M-MCS-DCA-28-AA

DSA Drive Connectors, Cables and Accessories

DSA Drive Front Panel Connections



Serial Port Connector

The following table provides the signal descriptions and pin-outs for the J3 serial port (9-pin) connector.

J3 Pin	Description	Signal
1	RS-422/RS-485 Input+	RCV+
2	RS-232 Input	RCV
3	RS-232 Output	XMT
4	RS-422/RS-485 Output+	XMT+
5	Common	COM
6	Reserved	—
7	RS-422/RS-485 Input-	RCV-
8	RS-422/RS-485 Output-	XMT-
9	Reserved	—

I/O Connector

The following table provides the signal descriptions and pin-outs for the J1 I/O (44-pin) connector.

J1 Pin	Description	Signal
1	Auxiliary Encoder Power Out (+5V)	EPWR
2	Common	ECOM
3	Reserved	-
4	Auxiliary Encoder Ch A+	AX+
5	Auxiliary Encoder Ch A-	AX-
6	Auxiliary Encoder Ch B+	BX+
7	Auxiliary Encoder Ch B-	BX-
8	Auxiliary Encoder Ch I+	IX+
9	Auxiliary Encoder Ch I-	IX-
10	Unbuffered Motor Encoder Ch A+	AM+
11	Unbuffered Motor Encoder Ch A-	AM-
12	Unbuffered Motor Encoder Ch B+	BM+
13	Unbuffered Motor Encoder Ch B-	BM-
14	Unbuffered Motor Encoder Ch I+	IM+
15	Unbuffered Motor Encoder Ch I-	IM-
16	Buffered Motor Encoder Ch A+	AMOUT+
17	Buffered Motor Encoder Ch A-	AMOUT-
18	Buffered Motor Encoder Ch B+	BMOUT+
19	Buffered Motor Encoder Ch B-	BMOUT-
20	Buffered Motor Encoder Ch I+	IMOUT+
21	Buffered Motor Encoder Ch I-	IMOUT-
22	Common	ACOM

J1 Pin	Description	Signal
23	Programmable Analog Output	AOUT
24	Analog Current Limit Input	ILIMIT
25	Command +	COMMAND+
26	Command -	COMMAND-
27	I/O Common	IOCOM
28	I/O Common	IOCOM
29	I/O Power	IOPWR
30	I/O Power	IOPWR
31	Digital Input 1	INPUT1
32	Digital Input 2	INPUT2
33	Digital Input 3	INPUT3
34	Digital Input 4	INPUT4
35	Digital Input 5	INPUT5
36	Digital Input 6	INPUT6
37	Digital Input 7	INPUT7
38	Digital Input 8	INPUT8
39	Digital Output 1	OUTPUT1
40	Digital Output 2	OUTPUT2
41	Digital Output 3	OUTPUT3
42	Digital Output 4	OUTPUT4
43	Normally Open Relay Output+	RELAY+
44	Normally Open Relay Output-	RELAY-

Motor Encoder Connector

The following table provides the signal descriptions and pin-outs for the J2 motor encoder (15-pin) connector.

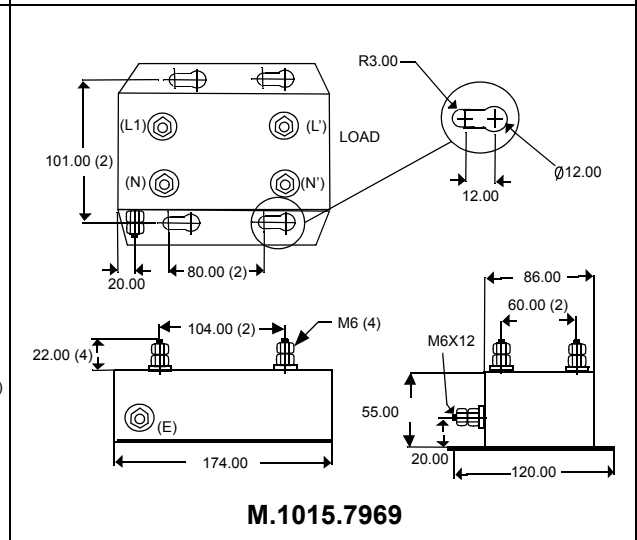
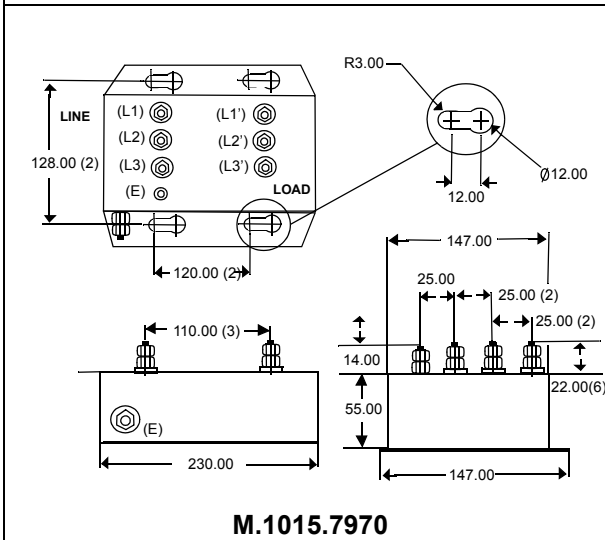
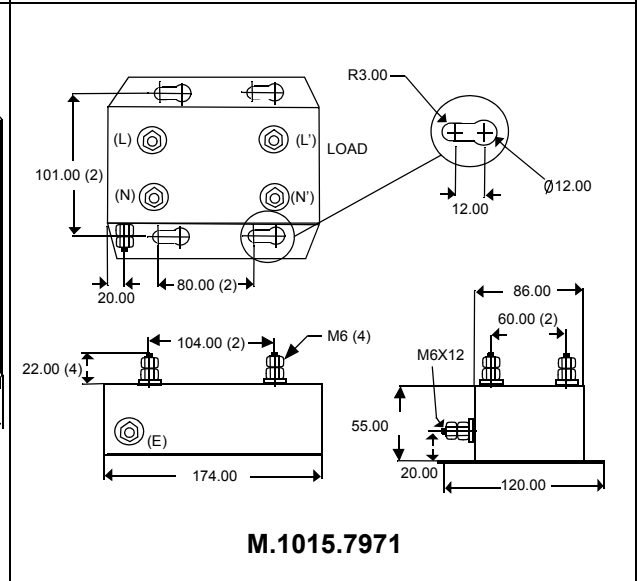
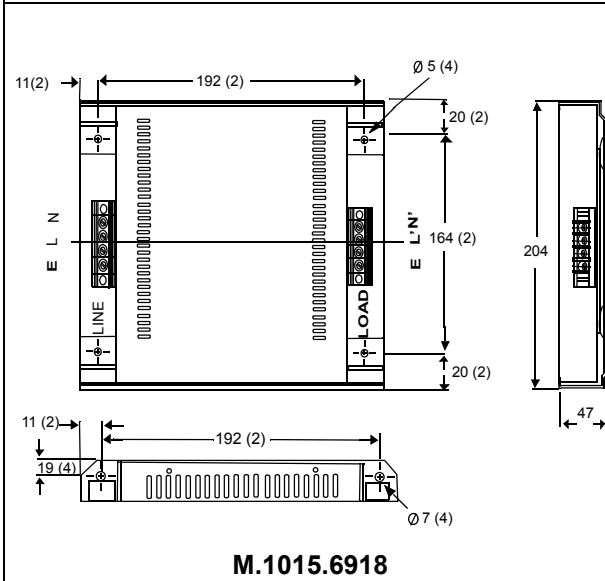
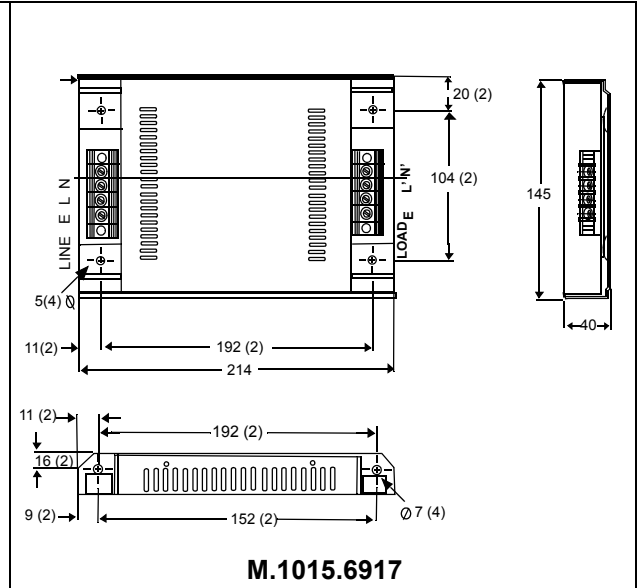
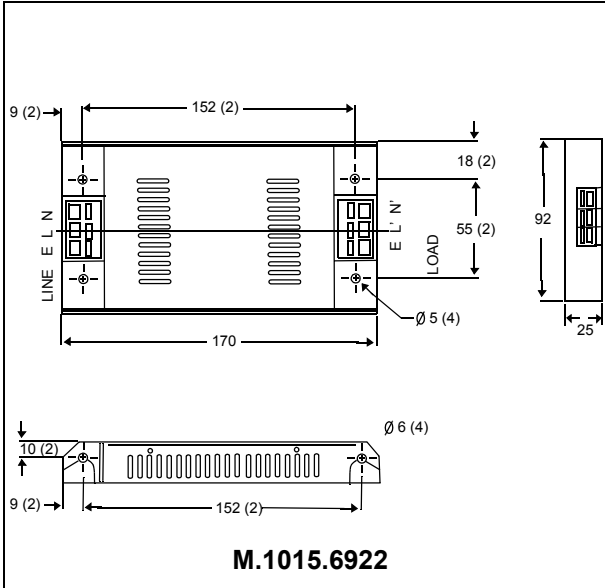
J2 Pin	Description	Signal
1	Channel A+	AM+
2	Channel A-	AM-
3	Channel B+	BM+
4	Channel B-	BM-
5	Channel I+	IM+
6	Common	ECOM
7	Encoder Power (+9V)	EPWR_9V
8	Commutation Channel S3	S3
9	Positive Overtravel Limit	+LIMIT
10	Channel I-	IM-
11	Thermostat	TS
12	Commutation Channel S1	S1
13	Commutation Channel S2	S2
14	Encoder Power (+5V)	EPWR_5V
15	Negative Overtravel Limit	-LIMIT

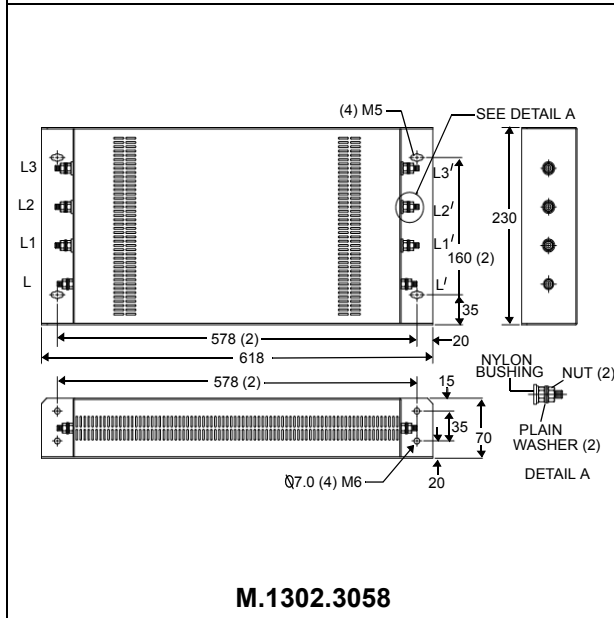
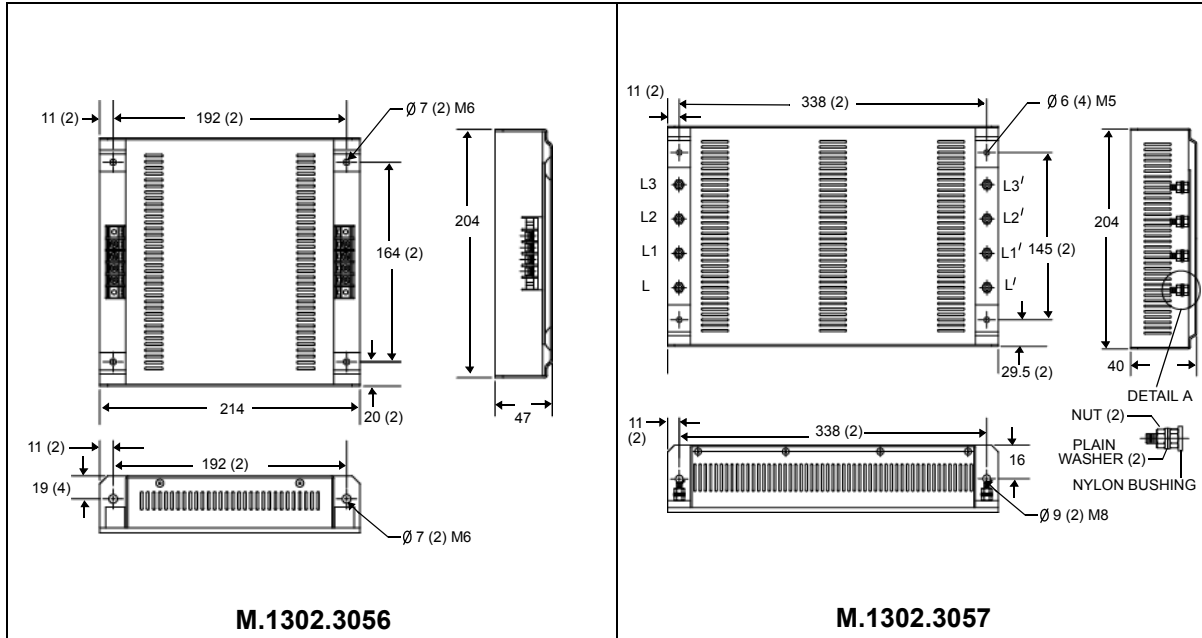
AC Line Filters

Part Numbers for AC Line Filters

AC Line Filters (Required for EMC Compliance)		
Current	For Drive Model	Part Number
I = 6A single phase	DSA007	M.1015.6922
I = 10A single phase	DSA015, DSA110	M.1015.6917
I = 23A single phase	DSA030, DSA120	M.1015.6918
I = 36A single phase	DSA130, DSA175	M.1015.7969
I = 36A three phase	DSA130, DSA175	M.1015.7970
I = 50A single phase	For multiple drives on one filter. Combined drive input currents may not exceed filter current rating.	M.1015.7971
I = 80A three phase	For multiple DSA175 drives on one filter. Combined drive input currents may not exceed filter current.	M.1015.7972
I = 23 three phase	For DSA 460V drives	M.1302.3056
I = 30 three phase	For DSA 460V drives	M.1302.3057
I = 50 three phase	For DSA 460 V drives	M.1302.3058

Dimensions for AC Line Filters





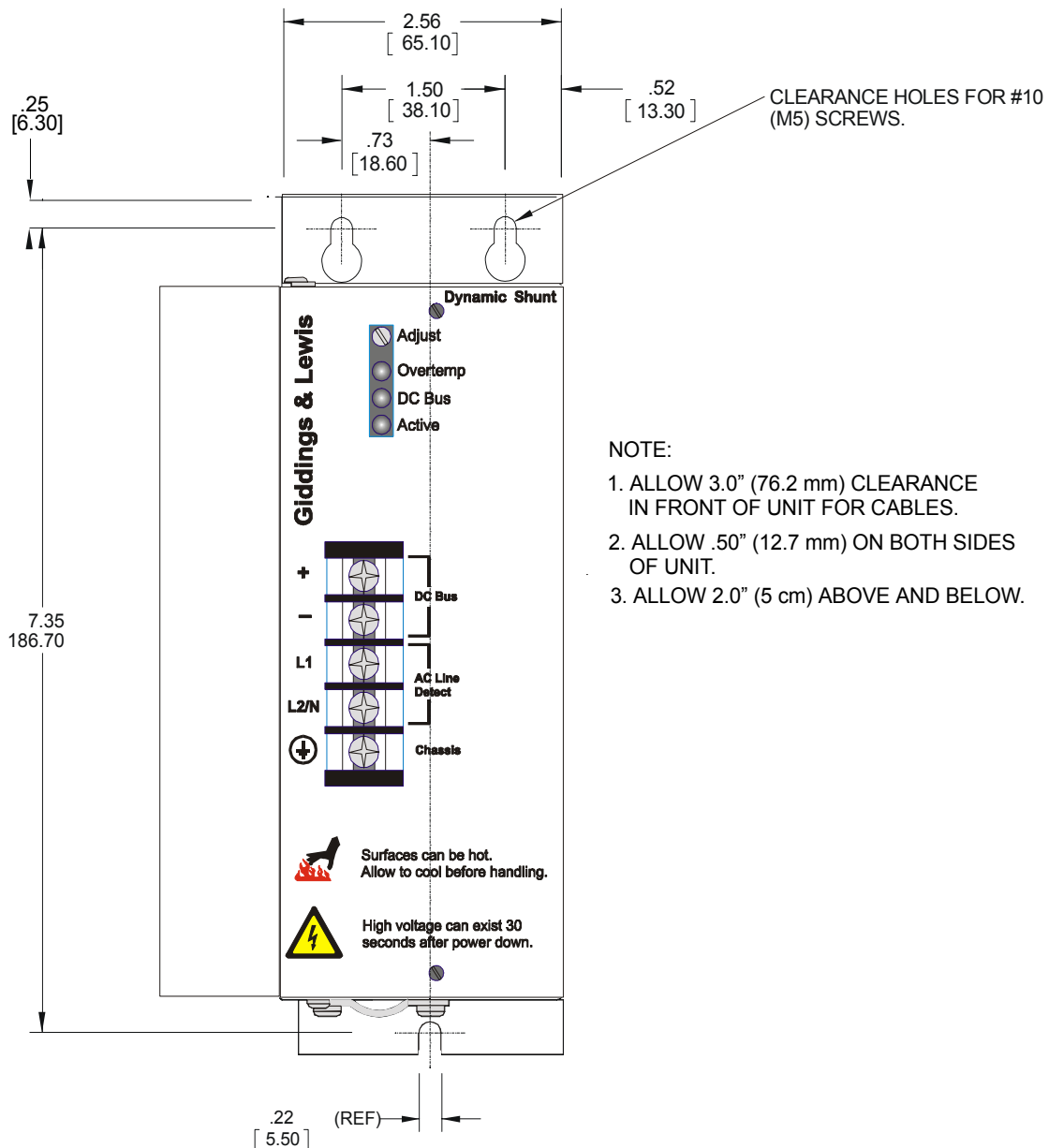
External Shunts

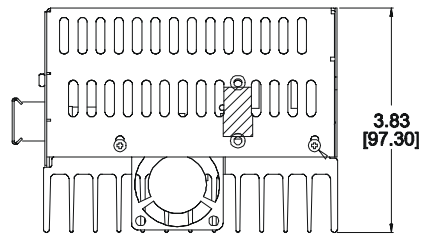
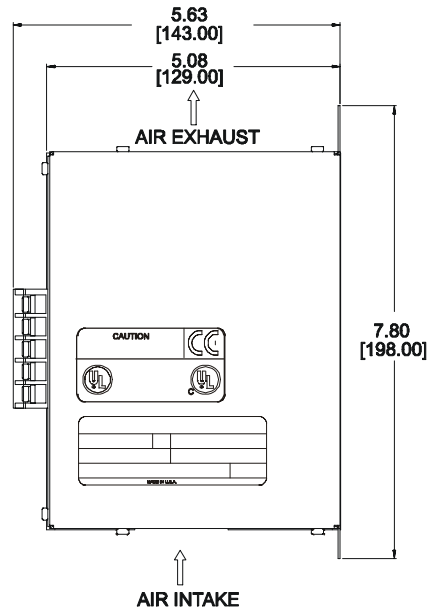
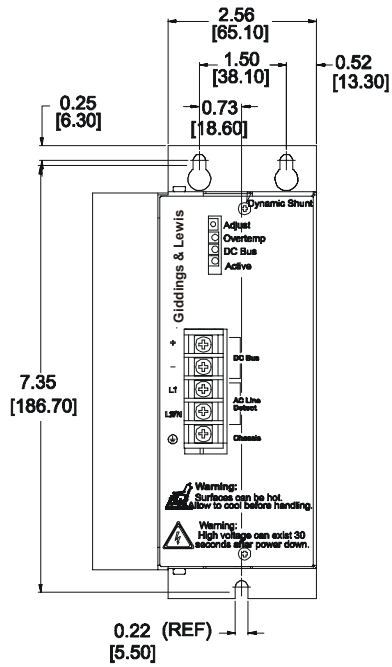
Part Numbers for External Shunts

Description	Part No.
MicroDSA Series Shunt	
DSA Series Passive Shunt 460 Volt, 900 Watt, 120 Ohms	M.1301.8818
Passive Shunt 460 Volt, 900 Watt, 40 Ohms	M.1301.8819
Passive Shunt 460 Volt, 900 Watt, 25 Ohms	M.1301.8870
Passive Shunt 460 Volt, 1800 Watt, 40 Ohms	M.1301.8871
Passive Shunt 460 Volt, 1800 Watt, 25 Ohms	M.1301.8872
Passive Shunt 460 Volt, 1800 Watt, 20 Ohms	M.1301.8873

Dimensions for External Shunts

MicroDSA Series Dynamic Shunt Dimensions

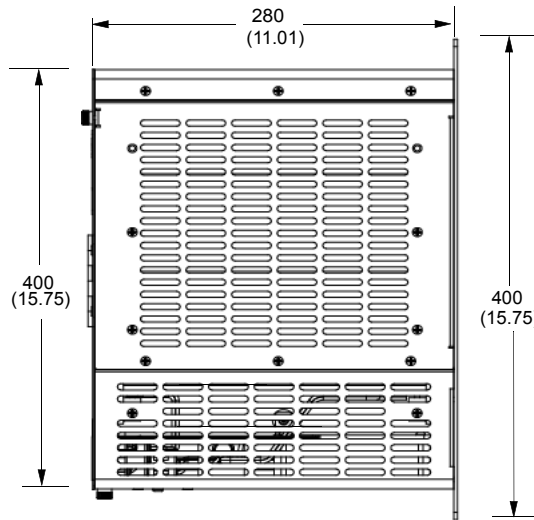
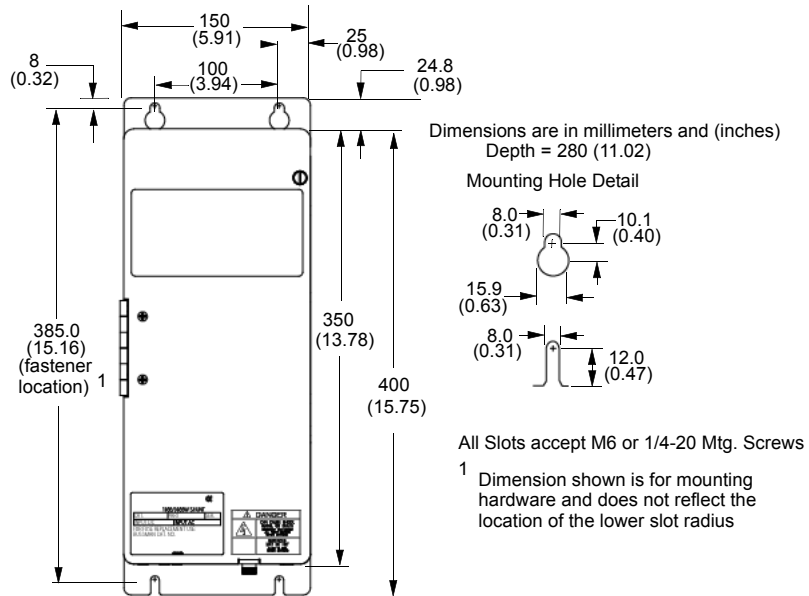




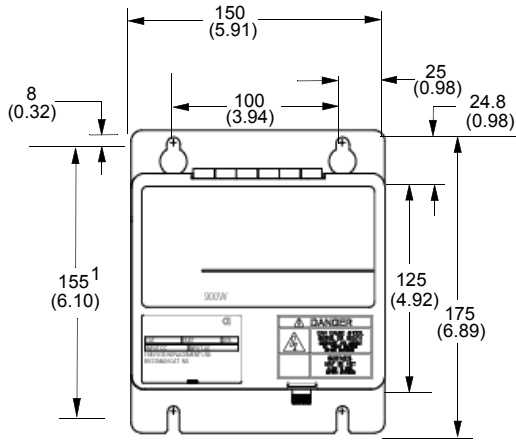
NOTES:

1. MUST CONFORM TO SPEC. 7058-9978.
2. MINIMUM UNOBSTRUCTED SURROUNDING SPACE FOR COOLING AIR INTAKE AND FAN EXHAUST ARE:
 - 5 cm (2 in.) ABOVE
 - 5 cm (2 in.) BELOW
 - 1.25 cm (0.5 in.) SIDES
 - 2.5 cm (1.0 in.) IN FRONT FOR WIRE CLEARANCE

1800 Watt DSA Series Dynamic Shunt Dimensions



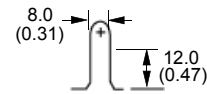
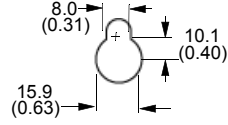
900 Watt DSA Series Shunt Kit



Dimensions are in millimeters and (inches)

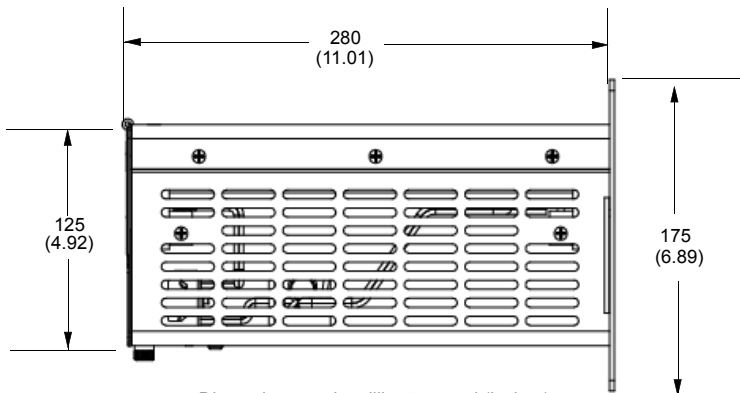
Depth = 280 (11.02)

Mounting Hole Detail



All Slots accept M6 or 1/4-20 Mtg. Screws

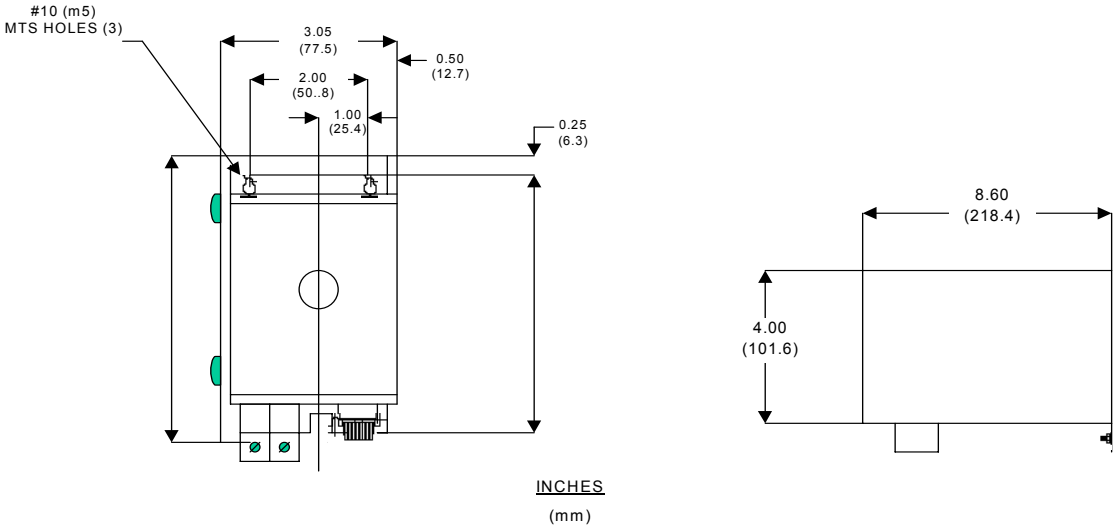
¹ Dimension shown is for mounting hardware and does not reflect the location of the lower slot radius



Dimensions are in millimeters and (inches)

300 Watt DSA Series Shunt

DSA130 Shunt - Description	Part No.
300 Watts Continuous, 600 Watts Peak	M.1015.7838



SERCOS Fiber Optic Cables

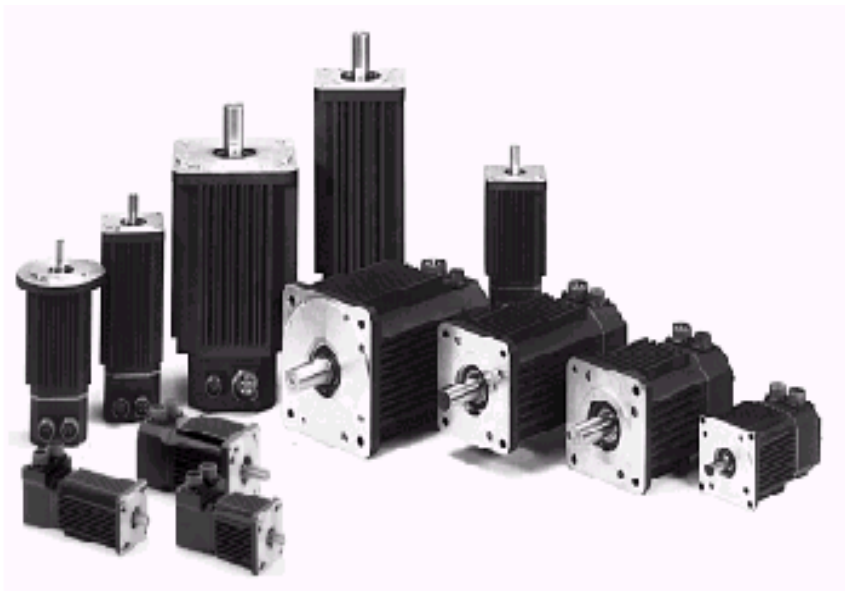
Description	Material Number	
Standard Cable	M.1016.9743	(Material Number is for 1-foot length. Call your Giddings & Lewis representative for other lengths.)
Heavy Duty Cable	M.1016.9758	(Material Number is for 1-foot length. Call your Giddings & Lewis representative for other lengths.)

Heavy Duty SERCOS Fiber Optic Cable



CENTURION DSA DRIVES AND MOTORS MOTION SOLUTIONS PRODUCT GUIDE

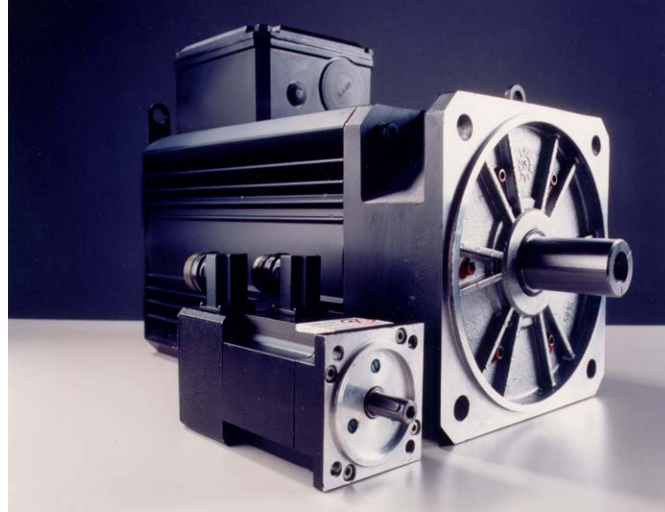
Centurion™ Brushless Servo Motors



Guide to Brushless Motor Section:

Motor Family	Torque Range	Attributes	Page
Factory Automation Applications			
LSM Series	2 to 575 lb.-in. (.33 to 65 Nm)	Low inertia	57
MSM Series	7 to 504 lb.-in. (.72 to 57 Nm)	Medium inertia	63
FSM Series	31 to 245 lb-in (3.5 to 28 Nm)	Medium inertia	80
HSM Series	5 to 450 lb-in (0.5 to 50 Nm)	Low inertia	85
XSM Series	14 to 525 lb.-in. (15 to 57.8 Nm)	Low inertia	92
Light Industrial Applications			
NSM Series	1.6 to 47 lb-in (0.18 to 5.3 Nm)	Compact NEMA mount	69
YSM Series	1.5 to 22 lb-in (0.17 to 2.5 Nm)	Compact, low inertia	76

LSM Brushless Servo Motors



Typical Applications

- “Smart” conveyors
- Packaging machinery
- Punch press/material feeding
- Robotic pick and place
- High duty cycle applications

Characteristics

- High acceleration and peak torques
- High speed point-to-point positioning
- Environmentally rugged

Standard Features

- High energy neodymium magnet rotors provide high acceleration/deceleration
- Temperature sensors built into windings allow intelligent shut down in overload conditions
- Unique stator design provides optimal thermal transfer allowing successful automation of high hit rate, demanding applications
- Use direct mount pinions and belt pulleys for cost-effective application
- Standard cable sets simplify machine design, build and commissioning
- Incremental encoder standard, high resolution and multi-turn absolute encoder available
- Machine design simplified using standard gearboxes and mounting plates
- Industrial packaging insures reliable operation in harsh environments
- UL, cUL and CE Mark allow worldwide application
- Maintenance-free design manufactured in ISO9000 facility
- Use available CAD (.DXF) drawings for easy design into your machine

LSM Motor And Performance Data

230 Volt Motors

Motor Model	LSM54-3-602		LSM63-6-602		LSM63-12-602		LSM75-21-602		LSM75-29-602	
Mechanical Data										
Rotor Moment of Inertia	lb-in-s ²	kg-m ²	lb-in-s ²	kg-m ²	lb-in-s ²	kg-m ²	lb-in-s ²	kg-m ²	lb-in-s ²	kg-m ²
	.00003	.0000029	.00011	.000013	.00017	.00002	.00029	.000033	.00039	.000044
Motor Net Weight	lb	kg	lb	kg	lb	kg	lb	kg	lb	kg
	1.5	.7	3.1	1.4	4.0	1.8	6.8	3.1	8.6	3.9
Winding Data										
KT (Nm/Amp)	.35		.35		.36		.42		.40	
KE Voltage Constant ² (V/kRPM)	43		43		43		49		49	
Winding Resistance Ph to phase @ 25°C	30.29		8.49		3.68		2.26		1.32	
Winding Inductance Phase to phase (mH)	57.5		26.2		13.0		17.9		12.4	

460 Volt Motors

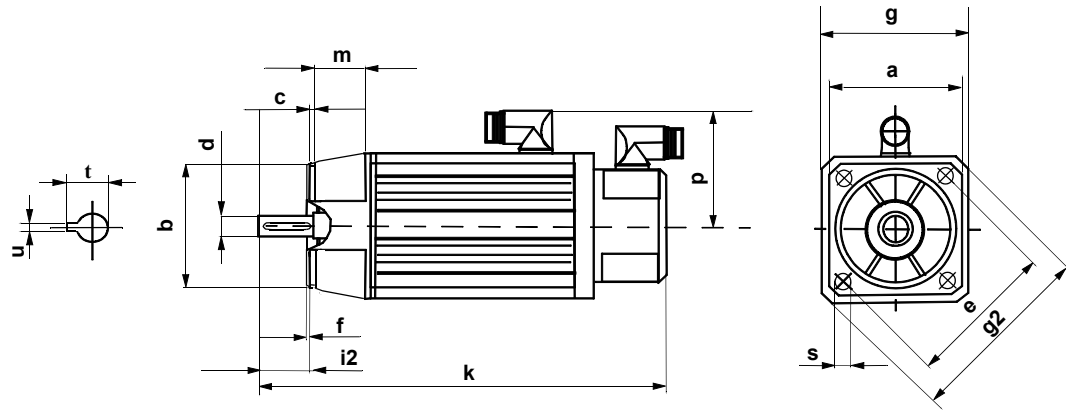
Motor Model	LSM100-22-454		LSM100-35-454		LSM100-46-454		LSM130-78-454		LSM130-102-304		LSM165-119-454		LSM165-173-304		LSM165-221-454		LSM215-301-304		LSM215-451-204		LSM215-589-204	
Mechanical Data																						
Rotor Moment of Inertia	lb-in-s ²	kg-m ²	lb-in-s ²	kg-m ²	lb-in-s ²	kg-m ²	lb-in-s ²	kg-m ²	lb-in-s ²	kg-m ²	lb-in-s ²	kg-m ²	lb-in-s ²	kg-m ²	lb-in-s ²	kg-m ²	lb-in-s ²	kg-m ²	lb-in-s ²	kg-m ²	lb-in-s ²	kg-m ²
	.001	.00011	.0013	.000144	.0015	.00017	.0036	.00041	.0049	.00055	.0081	.00092	.0113	.00128	.0146	.00165	.0376	.00425	.0531	.0060	.0681	.0077
Motor Net Weight	lb	kg	lb	kg	lb	kg	lb	kg	lb	kg	lb	kg	lb	kg	lb	kg	lb	kg	lb	kg	lb	kg
	9.3	4.2	11.7	5.3	13.9	6.3	22	10.0	26	11.8	35.7	16.2	41.2	18.7	46.3	21.0	68.4	31.0	84.9	38.5	100.3	45.5
Winding Data																						
KT (Nm/Amp) ¹	.82		.86		.88		.88		1.28		.87		1.29		.91		1.22		1.84		1.84	
KE (V/KRPM) Voltage Constant	99		103		106		107		154		105		1.56		109		147		222		222	
Winding Resistance Ph to phase @ 135°C	10.7		5.9		3.9		1.68		2.2		0.76		0.98		0.33		0.38		0.50		0.31	
Winding Inductance Phase to phase (mH)	25.8		16.8		12.44		8.46		12.4		6.68		9.6		3.6		6.94		10.0		7.4	

¹Peak value of per phase sine wave amps

²Peak value of sinusoidal phase to phase Volts

Note: LSM 55, 63 motors have 1000 Line encoder as standard

LSM Standard Motor Dimensions



Shaft End Threaded Hole		
Motor	Thread	Thread Depth
LSM100-XXX	M5 x 0.8 mm	12.5
LSM130-XXX	M8 x 1.25 mm	19
LSM165-XXX	M10 x 1.5 mm	22
LSM215-XXX	M12 x 1.75 mm	28

Note: Motors manufactured to millimeter dimensions

Model	Dimensions															
	Flange						Shaft				Motor					
	a mm	b mm	c mm	e mm	f mm	i2 mm	s mm	d mm	u mm	u+d-t (key depth) mm	k ¹ mm	k-i2 ¹ (length from face) mm	p mm	m mm	g mm	g2 mm
LSM54-3-602	45	40	6	54	2.5	20	4.4	9	3	1.8	119	99	59.5	50	55	75.5
LSM63-6-602	55	40	6	63	2.5	20	5.4	9	3	1.8	124	104	60	56	55	75.5
LSM63-12-602											154	134				
LSM75-21-602	70	60	8	75	2.5	23	5.5	11	4	2.5	171	148	67	56	70	94
LSM75-29-602											201	178				
LSM100-22-454	90/94	80	8	100	3	30	7	14	5	3	235	205	77	NA ²	94	115
LSM100-35-454											265	235				
LSM100-46-454											295	265				
LSM130-78-454	120	110	9	130	3.5	50	9	24	8	5	320	270	90	28	115	150
LSM130-102-304											358	308				
LSM165-119-454	142	130	10	165	3.5	58	12	28	8	5	338	280	126	31.4	142	186
LSM165-173-304											388	330				
LSM165-221-454											428	370				
LSM215-301-304	190	180	12	215	4	80	14	38	10	7	400	320	150	37	190	250
LSM215-451-204											452	372				
LSM215-589-204											504	424				

¹Add 38mm for LSM54 motors with brake, 42mm for LSM63 motors with brake, 49mm for LSM75 motors with brake, 67mm for LSM100 motors with brake, 79mm for LSM130 motors with brake, 78mm for LSM165 motors with brake, 113mm for LSM215 motors with brake. Add 25mm for LSM75 motor with Sin/Cos feedback. LSM100-215 are the same length with Sin/Cos feedback.

²Not Applicable

Motors manufactured to millimeter dimensions shown. Inch dimensions can be obtained by dividing by 25.4. For further motor detail, engineering specification drawings are available. Sin/Cos feedback is used with Single turn high resolution (-S) and Multiturn high resolution (-M) feedback options.

LSM Motor Connector Ordering Information

Ordering options include the following:

- 24 VDC Brake (Consult factory for brake motor availability)
- 1000 Line encoder is standard for LSM 55 and 63 motors
- Single turn high resolution
- Multi-turn high resolution

Consult the factory for information on any of these items.

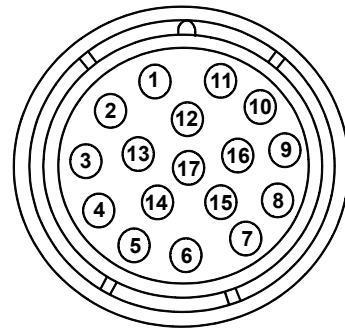
Note: Optional configurations or encoder line counts have extended lead times and additional charges.

Note: All options are not available.

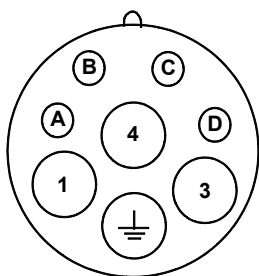
Connector	Part Number
Power Connectors	
Size 1, 16AWG	M.1302.0479
Size 1.5, 8-16AWG	M.1302.1998
Size 1.5, 6-10AWG	M.1302.1999
Encoder Feedback Connector	
17 Pin	M.1302.0510

LSM Motor Connector Data Tables

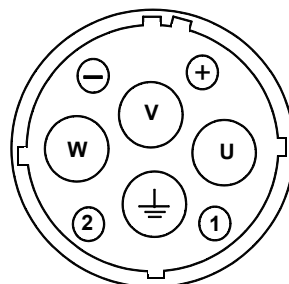
Feedback Connector			
Pin	2000 Line Encoder	High Resolution Encoder (SRS 50)	Absolute Encoder (SRM 50)
1	A+	Sine +	Sine +
2	A-	Sine -	Sine -
3	B+	Cos +	Cos +
4	B-	Cos -	Cos -
5	I+	485 +	485 +
6	I-	485 -	485 -
7	GND	GND	GND
8	Reserved	Reserved	Reserved
9	No connection	8-12 VDC	8-12 VDC
10	+5VDC	No Connection	No Connection
11	Common	Common	Common
12	Reserved	Reserved	Reserved
13	Temp +	Temp +	Temp +
14	Temp -	Temp -	Temp -
15	Hall A	No Connection	No Connection
16	Hall B	No Connection	No Connection
17	Hall C	No Connection	No Connection



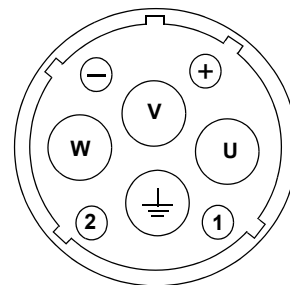
Motor Power Connector					
Size 1 Power Connector		Size 2 Power		Size 3 Power	
Pin	Signal	Pin	Signal	Pin	Signal
1	R	U	R	U	R
2	GND	GND	GND	GND	GND
3	T	W	T	W	T
4	S	V	S	V	S
A	Brake +	+	Brake +	+	Brake +
B	Brake -	-	Brake -	-	Brake -
C		1		1	
D		2		2	



Size 1; I < 13.5 Amps RMS



Size 1.5; I < 44 Amps RMS



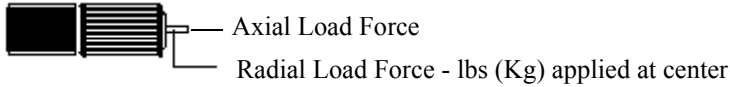
Size 3; I < 97 Amps RMS

Standard Motor Radial Load Force Ratings For LSM Motors

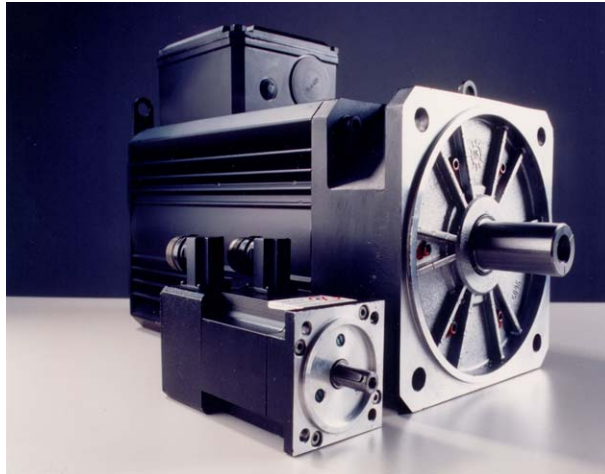
Motors are capable of operating with the maximum radial or maximum axial shaft loads listed in the following tables. Radial loads are applied midway along the shaft extension. The table represents 20,000-hour L10 bearing fatigue life. This 20,000-hour life does not account for possible application-specific life reduction that may occur due to bearing grease contamination from external sources.

RADIAL LOAD FORCE RATINGS (Maximum Radial Load)														
	500 RPM		1000 RPM		2000 RPM		3000 RPM		4000 RPM		5000 RPM		6000 RPM	
	kg	(lb)	kg	(lb)	kg	(lb)	kg	(lb)	kg	(lb)	kg	(lb)	kg	(lb)
LSM54	24	53	23	51	22	48	21	47	21	46	20	44	20	43
LSM63	28	61	27	60	26	58	25	55	24	53	24	52	23	50
LSM75	29	65	29	63	28	62	27	59	26	57	25	56	24	54
LSM100	56	123	56	123	48	106	42	94	36	80	34	76	33	73
LSM130	127	281	91	202	68	151	58	129	53	118	49	110	45	101
LSM165	147	325	107	236	76	168	63	140	56	123	46	103	43	95
LSM215	214	472	158	348	112	247	89	196	76	168	63	140	58	129

Note: The axial Load Force must always be zero.



MSM Brushless Servo Motors



Typical Applications

- Web and film processing
- Machine tool/metal cutting
- Textile machinery
- CAM replacements

Characteristics

- Higher inertia matching capability
- Heavy duty continuous operations
- Environmentally rugged

Standard Features

- High energy neodymium magnet rotors provide high acceleration/deceleration
- Temperature sensors built into windings allow intelligent shut down in overload conditions
- Unique stator design provides optimal thermal transfer allowing successful automation of high hit rate, demanding applications
- Use direct mount pinions and belt pulleys for cost-effective application
- Standard cable sets simplify machine design, build and commissioning
- Incremental encoder standard, high resolution and multi-turn absolute encoder available
- Machine design simplified using standard gearboxes and mounting plates
- Industrial packaging insures reliable operation in harsh environments
- UL, cUL and CE Mark allow worldwide application
- Maintenance-free design manufactured in ISO9000 facility
- Use available CAD (.DXF) drawings for easy design into your machine

MSM Motor And Performance Data

Motor Model	MSM100-6-604		MSM100-14-604		MSM115-34-404		MSM115-62-404		MSM115-89-404		MSM165-93-204		MSM165-146-304		MSM215-221-304		MSM215-319-304		MSM215-407-304		MSM215-505-304	
Mechanical Data																						
Rotor Moment of Inertia	lb-in-s ²	kg-m ²	lb-in-s ²	kg-m ²	lb-in-s ²	kg-m ²	lb-in-s ²	kg-m ²	lb-in-s ²	kg-m ²	lb-in-s ²	kg-m ²	lb-in-s ²	kg-m ²	lb-in-s ²	kg-m ²	lb-in-s ²	kg-m ²	lb-in-s ²	kg-m ²	lb-in-s ²	kg-m ²
	.0013	.00015	.0019	.00021	.0050	.00057	.0089	.0010	.0142	.0016	.0195	.0022	.0319	.0036	.0655	.0074	.0956	.0108	.1248	.0141	.0175	.1549
Motor Net Weight	lb	kg	lb	kg	lb	kg	lb	kg	lb	kg	lb	kg	lb	kg	lb	kg	lb	kg	lb	kg	lb	kg
	10.8	4.9	13.0	5.9	14.6	6.6	18.7	8.5	24.3	11.0	26.5	12.0	35.9	16.3	57.3	26.0	72.8	33.0	88.2	40.0	108	49
Winding Data																						
K _T Torque (Nm/Amp) Constant @ 25°C ¹	.46	.52	.95	.99	1.03	1.86	1.34	1.36	1.36	1.4	1.39											
KE Voltage Constant ³ (V/KRPM)	55	62	115	120	123	225	161	164	164	170	168											
Winding Resistance Ph to phase @ 25°C	24.4	9.0	8.4	3.4	2.0	5.7	1.56	0.76	0.40	0.28	0.24											
Winding Inductance Phase to phase (mH)	48	22.0	32.0	16.8	12.0	60.0	18.5	15.8	10.6	8.2	6.5											

¹Peak value of per phase sine wave amps

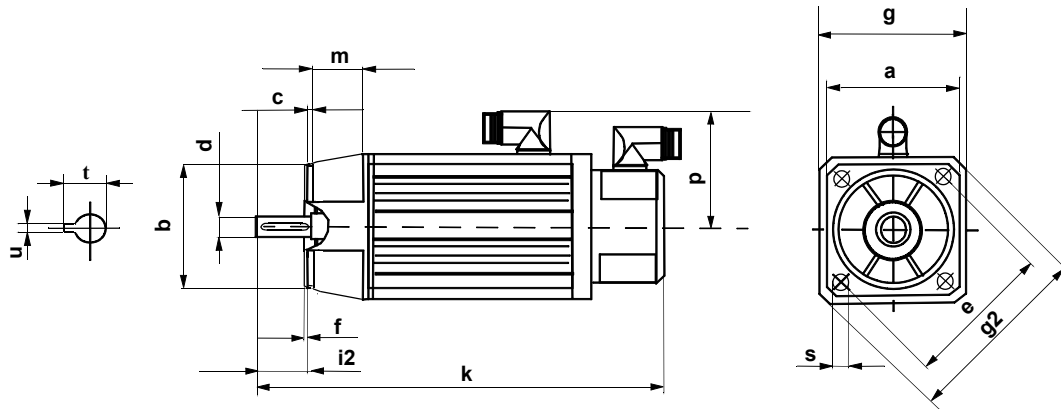
²Peak value of per phase square wave amps

³Peak value of sinusoidal phase to phase Volts

⁴At 125° C winding temperature, in a 40° C ambient, Motors, motors MSM100-115, 490 mounted on 12.5mm x 250mm x 250mm, Motors MSM165-215 mounted on 25mm x 400mm x 400mm aluminum heat sink

⁵With 230 VAC line voltage input

MSM Standard Motor Dimension



Shaft End Threaded Hole		
Motor	Thread	Thread Depth
MSM100-XXX	M5 x 0.8 mm	12.5
MSM115-XXX	M6 x 1.0 mm	16
MSM165-XXX	M8 x 1.25 mm	19
MSM215-XXX	M12 x 1.75 mm	28

Note: Motors manufactured to millimeter dimensions

Model	Dimensions															
	Flange							Shaft				Motor				
	a mm	b mm	c mm	e mm	f mm	i2 mm	s mm	d mm	u mm	u+d-t (key depth) mm	k ¹ mm	k-i2 ¹ (length from face) mm	p mm	m mm	g mm	g2 mm
MSM100-6-604	90	80	8	100	3	30	7	14	5	3	224	194	81	27	99	120
MSM100-14-604	-	-	-	-	-	-	-	-	-	-	249	219	-	-	-	-
MSM115-34-404	105	95	8	115	3	40	9	19	6	3.5	277	237	90	27	115	150
MSM115-62-404	-	-	-	-	-	-	-	-	-	-	317	277	-	-	-	-
MSM115-89-404	-	-	-	-	-	-	-	-	-	-	357	317	-	-	-	-
MSM165-93-204	142	130	12	165	3.5	50	12	24	8	5	316	266	126	32	142	186
MSM165-146-304	-	-	-	-	-	-	-	-	-	-	366	316	-	-	-	-
MSM215-221-304	190	180	13	215	4	58	14	32	10	7	367	309	150	45	190	250
MSM215-319-304	-	-	-	-	-	-	-	-	-	-	415	357	-	-	-	-
MSM215-407-304	-	-	-	-	-	-	-	-	-	-	463	405	-	-	-	-
MSM215-505-304	-	-	-	-	-	-	-	-	-	-	511	453	-	-	-	-

¹ Add 3mm for MSM100 motors with Sin/Cos feedback, 0 mm for MSM115 motors with Sin/Cos feedback, 21mm for MSM215 motors with Sin/Cos feedback, 22mm for MSM165 motors with Sin/Cos feedback.

Motors manufactured to millimeter dimensions shown. Inch dimensions can be obtained by dividing by 25.4. For further motor detail, engineering specification drawings are available.

Sin/Cos feedback is used with Single turn high resolution (-S) and Multiturn high resolution (-M) feedback options.

Brake motors are the same length as non-brake motors.

MSM Motor Connector Ordering Information

Ordering options include the following:

- 24 VDC Brake (Consult factory for brake motor availability)
- Single turn high resolution
- Multi-turn high resolution

Consult the factory for information on any of these items.

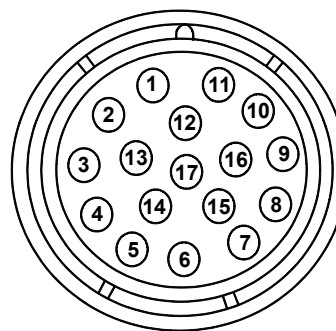
Note: Optional configurations or encoder line counts have extended lead times and additional charges.

Note: All options are not available.

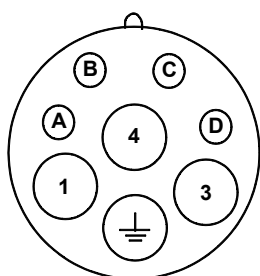
Connector	Part Number
Power Connectors	
Size 1, 16AWG	M.1302.0479
Size 1.5, 8-16AWG	M.1302.1998
Size 1.5, 6-10AWG	M.1302.1999
Encoder Feedback Connector	
17 Pin	M.1302.0510

MSM Motor Connector Tables

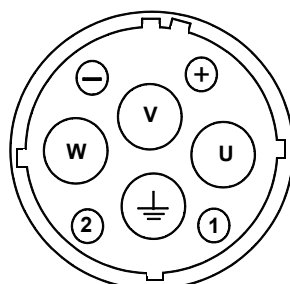
Feedback Connector			
Pin	2000 Line Encoder	High Resolution Encoder (SRS 50)	Absolute Encoder (SRM 50)
1	A+	Sine +	Sine +
2	A-	Sine -	Sine -
3	B+	Cos +	Cos +
4	B-	Cos -	Cos -
5	I+	485 +	485 +
6	I-	485 -	485 -
7	GND	GND	GND
8	Reserved	Reserved	Reserved
9	No connection	8-12 VDC	8-12 VDC
10	+5VDC	No Connection	No Connection
11	Common	Common	Common
12	Reserved	Reserved	Reserved
13	Temp +	Temp +	Temp +
14	Temp -	Temp -	Temp -
15	Hall A	No Connection	No Connection
16	Hall B	No Connection	No Connection
17	Hall C	No Connection	No Connection



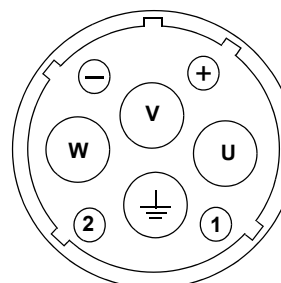
Motor Power Connector					
Size 1 Power Connector		Size 2 Power		Size 3 Power	
Pin	Signal	Pin	Signal	Pin	Signal
1	U	U	U	U	U
2	GND	GND	GND	GND	GND
3	V	W	V	V	V
4	W	V	W	W	W
A	Brake +	+	Brake +	+	Brake +
B	Brake -	-	Brake -	-	Brake -
C		1		1	
D		2		2	



Size 1; I < 13.5 Amps RMS



Size 1.5; I < 44 Amps RMS



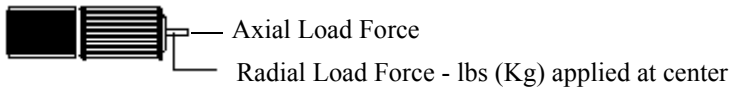
Size 3; I < 97 Amps RMS

Standard Motor Radial Load Force Ratings For MSM Motors

Motors are capable of operating with the maximum radial or maximum axial shaft loads listed in the following tables. Radial loads are applied midway along the shaft extension. The table represents 20,000-hour L10 bearing fatigue life. This 20,000-hour life does not account for possible application-specific life reduction that may occur due to bearing grease contamination from external sources.

Motor	500 RPM		1000 RPM		2000 RPM		3000 RPM		4000 RPM		5000 RPM		6000 RPM	
	kg	lb	kg	lb	kg	lb	kg	lb	kg	lb	kg	lb	kg	lb
MSM100	84	185	65	143	50	112	44	98	38	85	36	80	34	76
MSM115	95	211	82	182	63	139	54	119	48	106	44	98	42	93
MSM165	122	269	89	197	67	148	56	123	48	107	45	101	42	93
MSM215	209	469	163	359	122	269	101	224	86	191	81	179	77	170
MSM307	51.4	113	40.9	90	32.3	71	28.2	62	25.5	56	53	24.1		

Note: The axial Load Force must always be zero.



NSM Brushless Servo Motors



Typical Applications

- Semi-conductor manufacturing
- Material handling
- Web processing
- Robotics
- Packaging machinery

Standard Features

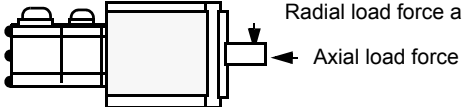
- Rugged industrial construction
- High torque to size ratio
- High energy ring magnet rotor
- Integral encoder
- Provision for optional shaft seal
- NEMA 23, 34, 42, 56 style mounting frames

NSM Series Motor and Performance Data

Motor Model	NSM2302		NSM2304		NSM3406		NSM3412		NSM4214		NSM4220		NSM5630		NSM5637		NSM5647	
Mechanical Data																		
Rotor Moment of Inertia	lb-in-s ²	kg-m ²	lb-in-s ²	kg-m ²	lb-in-s ²	kg-m ²	lb-in-s ²	kg-m ²	lb-in-s ²	kg-m ²	lb-in-s ²	kg-m ²	lb-in-s ²	kg-m ²	lb-in-s ²	kg-m ²	lb-in-s ²	kg-m ²
	0.00008	.000009	.00016	0.00002	0.0007	0.00008	0.0013	0.00015	0.0021	0.00024	0.0031	0.00035	0.008	0.0009	0.01	0.0011	0.013	0.0015
Motor Net Weight	lb	kg	lb	kg	lb	kg	lb	kg	lb	kg	lb	kg	lb	kg	lb	kg	lb	kg
	2.3	1.0	3.4	1.5	5.7	2.6	7.6	3.5	10.4	4.7	13.0	5.9	20.0	9.1	24.2	11.0	28.7	13.0
Friction Torque	lb-in	Nm	lb-in	Nm	lb-in	Nm	lb-in	Nm	lb-in	Nm	lb-in	Nm	lb-in	Nm	lb-in	Nm	lb-in	Nm
	0.11	0.012	0.13	0.014	0.19	0.021	0.31	0.035	0.38	0.043	0.406	0.046	0.688	0.078	0.875	0.1	0.938	0.11
Winding Data																		
Sine Wave K _T Torque Constant @ 25°C ⁽¹⁾	lb-in/A	Nm/A	lb-in/A	Nm/A	lb-in/A	Nm/A	lb-in/A	Nm/A	lb-in/A	Nm/A	lb-in/A	Nm/A	lb-in/A	Nm/A	lb-in/A	Nm/A	lb-in/A	Nm/A
	0.73	.08	1.6	0.18	1.5	0.17	3.0	0.34	3.6	0.41	2.5	0.28	3.5	.38	4.4	.50	5.6	.63
Sq Wave K _T Torque Constant @ 25°C ⁽²⁾																		
	0.80	0.09	1.8	0.20	1.6	0.18	3.3	0.37	4.0	0.45	2.7	0.31	3.7	0.42	4.8	0.54	6.2	0.70
KE Voltage Constant ⁽³⁾	10 V/kRPM		22 V/kRPM		21 V/kRPM		41 V/kRPM		49 V/kRPM		34 V/kRPM		47 V/kRPM		60 V/kRPM		77 V/kRPM	
Winding Resistance Ph to phase @ 25°C	3.18		4.9		2.2		2.7		2.8		0.77		0.89		1.0		1.23	
Winding Inductance Phase to phase (ohms)	4.1 mH		8.1 mH		6.1 mH		8.6 mH		11.0 mH		2.9 mH		4.3 mH		5.2 mH		7.0 mH	
Thermal Resistance ⁽⁴⁾	3.0°C/watt		2.2°C/watt		1.6°C/watt		1.2°C/watt		1.1°C/watt		0.83°C/watt		0.81°C/watt		0.76°C/watt		0.70°C/watt	
System Ratings																		
	DSA 007		DSA 007/015		DSA 015		DSA 015		DSA 015		DSA 030		DSA 030		DSA 030		DSA030	
Max. Continuous Operation Speed RPM	6000		6000		6000		5500		4500		5000		4000		4000		3000	
Continuous Stall Torque	lb-in	Nm	lb-in	Nm	lb-in	Nm	lb-in	Nm	lb-in	Nm	lb-in	Nm	lb-in	Nm	lb-in	Nm	lb-in	Nm
	1.6	0.2	3.5/4.4	0.4/0.5	6.8	0.8	13.8	1.6	15.5	2.0	22.0	2.5	30.0	3.4	40.0	4.5	52.0	5.9
Peak Torque	lb-in	Nm	lb-in	Nm	lb-in	Nm	lb-in	Nm	lb-in	Nm	lb-in	Nm	lb-in	Nm	lb-in	Nm	lb-in	Nm
	4.6	0.5	10/13	1.1/1.4	18.5	2.1	36.0	4.1	45.0	5.7	63.0	7.1	95.0	10.7	120	13.0	150	17.0
Drive Model											DSA 130		DSA130		DSA 130		DSA 130	
Max. Continuous Operation Speed RPM											5000		4000		4000		3000	
Continuous Stall Torque											lb-in	Nm	lb-in	Nm	lb-in	Nm	lb-in	Nm
											26.0	2.9	34.0	3.8	46.0	5.2	53.0	6.0
Peak Torque											lb-in	Nm	lb-in	Nm	lb-in	Nm	lb-in	Nm
	63.0	7.1	95.0	10.7	120	13.6	150	16.9										
¹ Peak value of per phase sine wave amps ² Peak value of per phase square wave amps ³ Peak value of sinusoidal phase to phase volt ⁴ Motor mounted on .5" x 12" x 12" (1.2 x 30 x 30 cm) aluminum heat sink.																		

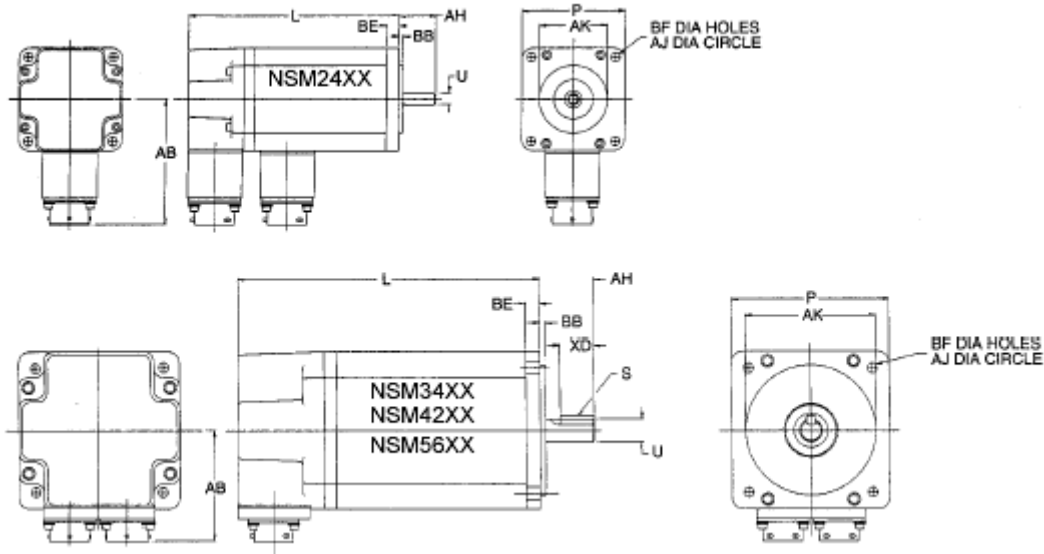
Motors are capable of carrying an axial load in most applications. The following table provides guidelines for 20,000 hour bearing life with a specified radial load applied to the center of the shaft. Please consult with Giddings & Lewis regarding loads, operating speeds and bearing life in your particular application to ensure the proper selection of motors.

STANDARD RADIAL LOAD FORCES RATINGS							
MOTOR	500 rpm lb (kg)	1000 rpm lb (kg)	2000 rpm lb (kg)	3000 rpm lb (kg)	4000 rpm lb (kg)	5000 rpm lb (kg)	6000 rpm lb (kg)
NSM2302	17 (8)	16(7)	14 (6)	12 (6)	11 (5)	9 (4)	8 (3)
NSM2304	19(9)	17 (8)	15 (7)	14 (6)	12 (5)	10 (5)	8 (4)
NSM3406	103 (47)	82 (37)	65 (29)	56 (26)	51 (23)	48 (22)	45 (20)
NSM3412	113 (51)	89 (40)	71 (32)	62 (28)	56 (26)	53 (24)	49 (22)
NSM4214	137 (62)	109 (49)	86 (39)	76 (34)	68 (31)	64 (29)	
NSM4220	146 (66)	116 (52)	92 (41)	80 (36)	73 (33)	68 (31)	
NSM5630	188 (85)	149 (67)	118 (53)	103 (47)	94 (43)		
NSM5637	197 (89)	156 (71)	124 (56)	108 (49)	98 (45)		
NSM5647	203 (92)	161 (73)	128 (58)	112 (51)			



NOTE: When motor shaft has no radial load, axial load rating = 100% of radial load rating above.
When motor shaft has both a radial load and an axial load, axial load rating = 44% of radial load rating above.

NSM Motor Dimensions



Model	AB	AH	AJ	AK	BB	BE	BF	L
	mm/in	mm/in	mm/in	mm/in	mm/in	mm/in	mm/in	mm/in
NSM2302	69/2.75	21/.81 ¹	67/2.625	38/1.50 ²	2/.09	7/.275	5/.205	118/4.634
NSM2304	69/2.75	21/.81 ¹	67/2.625	38/1.50 ²	2/.09	7/.275	5/.205	156/6.134
NSM3406	64/2.48	30/1.19 ¹	98/3.875	73/2.875 ⁴	3/.12	8/.315	6/.220	147/5.67
NSM3412	64/2.48	30/1.19 ¹	98/3.875	73/2.875 ⁴	3/.12	8/.315	6/.220	173/6.67
NSM4214	63/2.45	35/1.38 ¹	126/4.95	56/2.187 ⁷	3/.12	10/.394	7/.280	174/6.845
NSM4220	63/2.45	35/1.38 ¹	126/4.95	56/2.187 ⁷	3/.12	10/.394	7/.280	200/7.845
NSM5630	76/2.96	50/1.97 ¹	149/5.875	114/4.50 ⁸	3/.12	12/.472	9.5/.375 in UNC	199/7.825
NSM5637	76/2.96	50/1.97 ¹	149/5.875	114/4.50 ⁸	3/.12	12/.472	9.5/.375 in UNC	225/8.825
NSM5647	76/2.96	50/1.97 ¹	149/5.875	114/4.50 ⁸	3/.12	12/.472	9.5/.375 in UNC	250/9.825

Model	LA	LB	P	S	U	XD
	mm/in	mm/in	mm/in	mm/in	mm/in	mm/in
NSM2302	62/2.43	106/4.05	58/2.27	N/A	6/.25 ³	N/A
NSM2304	100/3.93	141/5.55	58/2.27	N/A	6/.25 ³	N/A
NSM3406	124/4.87	N/A	89/3.48	3.2 x 3.2/0.125 x 0.125 ⁵	13/.5 ³	20/.75 ⁶
NSM3412	149/5.87	N/A	89/3.48	3.2 x 3.2/0.125 x 0.125 ⁵	13/.5 ³	20/.75 ⁶
NSM4214	152/5.99	N/A	102/4.0	4.8 x 4.8/0.1875 x 0.1875 ⁵	16/.625 ³	25/0.94 ⁶
NSM4220	178/6.99	N/A	102/4.0	4.8 x 4.8/0.1875 x 0.1875 ⁵	16/.625 ³	25/0.94 ⁶
NSM5630	178/7.0	N/A	127/5.0	4.8 x 4.8/0.1875 x 0.1875 ⁵	19/.75 ³	40/1.5 ⁶
NSM5637	203/8.0	N/A	127/5.0	4.8 x 4.8/0.1875 x 0.1875 ⁵	19/.75 ³	40/1.5 ⁶
NSM5647	229/9.0	N/A	127/5.0	4.8 x 4.8/0.1875 x 0.1875 ⁵	19/.75 ³	40/1.5 ⁶

¹Tolerance is ±0.03/0.76, ²-0.005/0.05, ³-0.005/0.13 diameter, ⁴-0.006/0.15, ⁵-0.002/0.005 width -0.014/0.36 depth, ⁶-0.06/1.5, ⁷-0.001/0.025 diameter, ⁸-0.003/0.076

NOTE: Motors are manufactured to inch dimensions. Millimeter dimensions are approximate conversions from inches.

NSM Motor Encoder Data

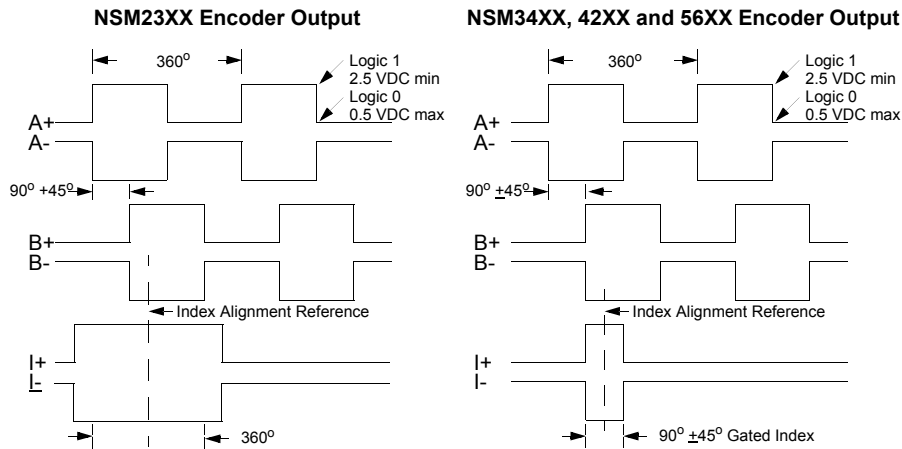
Encoders are factory aligned and must not be adjusted outside the factory.

Encoder Specifications		
Item	NSM23XX	NSM34XX, NSM42XX and NSM56XX
Line Count	1000 (1) (2)	2000 (1)
Supply Voltage	5 VDC	5 VDC
Supply Current	175 mA max.	300 mA max.
Line Driver	LM339	26LS31
Line Driver Output	TTL	A, B, I signals: Logic 1 = 2.5 VDC min @ 20 mA DC source, Logic 0 = 0.5 VDC max @ 20 mA DC sink. HALL signals: Logic 1 = 3.5 VDC min @ 1mA DC source, Logic 0 = 0.5 VDC max @ 5mA DC sink.
Index Pulse	Refer to diagrams below (No key for physical reference)	When facing the motor, the key is oriented 90°±10° clockwise (mechanical) from connectors

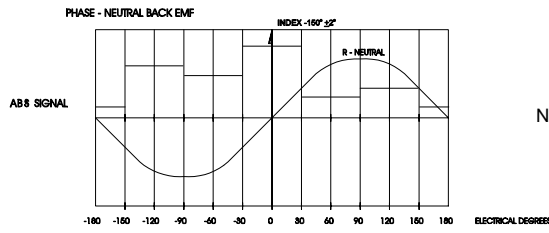
(1) Standard line count before quadrature.

(2) NSM23XX encoder lacks Absolute Signal (ABS)

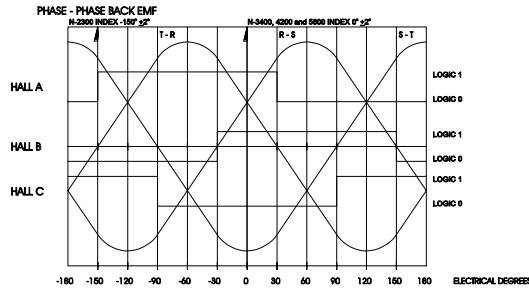
Encoder Outputs



Encoder Phase-to-Neutral and Phase-to-Phase Waveforms



NOTE: NSM34XX, NSM42XX and NSM56XX



NOTE: Hall and ABS signals are in electrical degrees.
For 4 pole commutation,
360° mechanical = 720° electrical.

NSM Motor Connector Ordering Information

Ordering options include the following:


- 24 VDC Brake (Consult factory for brake motor availability)
- Encoder Line Count - 2,000 or 5,000 line
- Motor Winding Voltage - 115 V or 230 V Drive Input Voltage

Consult the factory for information on any of these items.

Note: Options are not available on all sizes. Using optional configurations or encoder line counts may extend lead times and involve additional charges.

Note: 5000 line count encoder, motor top speed is limited to 3600 RPM due to frequency output limit of encoder-check drive system configuration data for any additional restrictions imposed by drive input.

NSM Connector Data

MOTOR MATING CONNECTORS	
	
Description	Part Number
Mating Power	M.1015.8056
Mating Encoder	M.1015.8057

NSM MOTOR SHAFT SEAL KITS	
Description	Part Number
NSM 2300 Series	M.1300.0422
NSM 3400 Series	M.1015.8058
NSM 4200 Series	M.1015.8059
NSM 5600 Series	M.1300.0003

YSM Brushless Servo Motors



Typical Applications

- Robotics
- Material handling
- Specialty machinery
- Medical and laboratory equipment
- X-Y tables
- Light packaging machines
- Office machinery
- Postal sorting

Standard Features

- 115V and 230V windings
- Popular metric mounting dimensions
- Three frame sizes, 10 models
- Torque range 1.5 - 22 lb-in (.17 - 2.5 Nm)
- Motor mounted optical encoder with differential line driver data (2,000 line) and commutation signals
- Low inertia rotor
- High energy neodymium magnets
- 4500 rpm maximum
- Optional internally mounted spring set, magnetic release 24 VDC holding brake
- IP-43 package

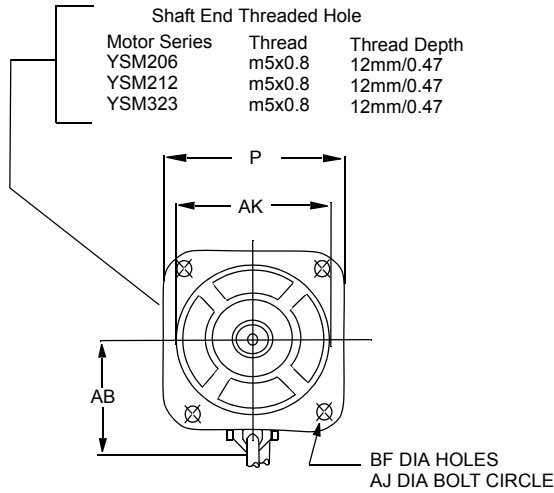
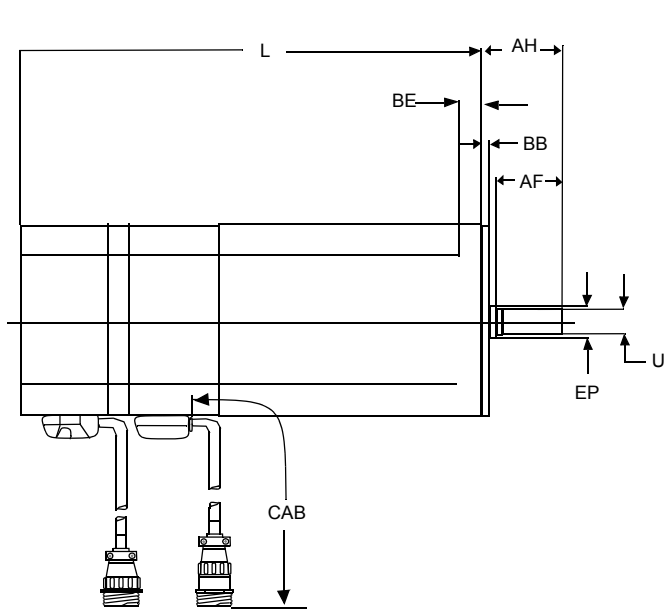
YSM Motors And Performance Data

Motor Model	YSM102 115/230				YSM103 115/230				YSM206 115/230				YSM212 115/230				YSM323 230					
Mechanical Data																						
Rotor Moment of Inertia	lb-in-s ²		kg-m ²		lb-in-s ²		kg-m ²		lb-in-s ²		kg-m ²		lb-in-s ²		kg-m ²		lb-in-s ²		kg-m ²			
Rotor Moment of Inertia (Brake Motors)	.000027		.0000031		.000045		.0000051		.000127		.000014		.00023		.000026		.00056		.000064			
Motor Net Weight	lb		kg		lb		kg		lb		kg		lb		kg		lb		kg			
Damping	lb-in/kRPM		Nm/kRPM		lb-in/kRPM		Nm/kRPM		lb-in/kRPM		Nm/kRPM		lb-in/kRPM		Nm/kRPM		lb-in/kRPM		Nm/kRPM			
Friction Torque	lb-in		Nm		lb-in		Nm		lb-in		Nm		lb-in		Nm		lb-in		Nm			
Winding Data																						
YSM102																						
YSM103																						
YSM206																						
YSM212																						
YSM323																						
115V 230V 115V 230V 115V 230V 115V 230V 115V 230V 115V 230V																						
Sine Wave K _T Torque Constant @ 25°C ⁽¹⁾	lb-in/A	Nm/A	lb-in/A	Nm/A	lb-in/A	Nm/A	lb-in/A	Nm/A	lb-in/A	Nm/A	lb-in/A	Nm/A	lb-in/A	Nm/A	lb-in/A	Nm/A	lb-in/A	Nm/A	lb-in/A	Nm/A		
Square Wave K _T Torque Constant @ 25°C ⁽²⁾	0.73	0.08	1.46	0.16	1.02	0.11	1.8	0.21	0.9	0.1	1.97	0.22	2.1	0.24	3.3	0.37	2.9	0.370				
KE Voltage Constant ⁽³⁾	10 V/kRPM	20 V/kRPM	14 V/kRPM	25 V/kRPM	13 V/kRPM	27V/kRPM	29 V/kRPM	45 V/kRPM	40 V/kRPM													
Winding Resistance phase to phase @ 25°C (ohms)	4.6		18.8		3.2		8.9		0.79		3.2		1.32		2.9		.78					
Winding Inductance phase to phase	5.5 mH		22.3 mH		3.8 mH		11.5 mH		2.7 mH		12 mH		5.1 mH		12.4 mH		6 mH					
Thermal Resistance ⁽⁴⁾	2.3°C/watt				2.2°C/watt				1.3°C/watt				1.3°C/watt				0.85°C/watt					
Encoder Resolution (P/R)	2000				2000				2000				2000				2000					
System Ratings⁽⁵⁾																						
YSM102																						
YSM103																						
YSM206																						
YSM212																						
YSM323																						
Centurion Micro DSA Drive Line	Drive Model		115V 230V		115V 230V		115V 230V		115V 230V		115V 230V		115V 230V		115V and 230V							
	DSA007		DSA007		DSA015		DSA007		DSA030		DSA015		DSA030		DSA015		DSA030		DSA030			
	Max. Continuous Operating Speed		4500 RPM				4500 RPM				4500 RPM				3800 RPM		4500 RPM		2500 RPM		4500 RPM	
	Continuous Stall Torque		lb-in	Nm	lb-in	Nm	lb-in	Nm	lb-in	Nm	lb-in	Nm	lb-in	Nm	lb-in	Nm	lb-in	Nm	lb-in	Nm	lb-in	Nm
Peak Torque		4.3	0.48	4.3	0.48	8.6	0.97	8.6	0.97	17	1.92	17	1.92	33.7	3.8	33.7	3.8	63	7.12	63	7.12	

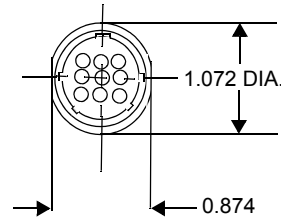
¹Peak value of per phase sine wave amps ²Peak value of per phase square wave amps ³Peak value of sinusoidal phase to phase Volts ⁴At 125° C winding temperature, in a 40° C ambient, with motors mounted on aluminum heat-sinks: Motors 102/103: .125" x 6" x 6", Motors 206/212: .250" x 8" x 8", Motor 323: .25" x 10" x 10" ⁵Ambient temperature is 0° C to 40°C for motors and 0° C to 50° C for drives

YSM Standard Motor Dimensions

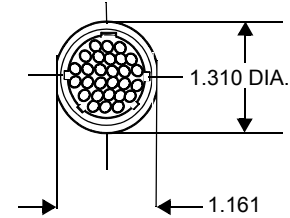
YSM102, YSM103, YSM206, YSM212, YSM323



Motor Feedback
For all YSM-Series Motors



Motor Power
For all YSM-Series Motors



Model	AB	AJ	AK	P	U	EP	AH	BB	BE	BF	AF	CAB	L	with Brake
	mm/in	mm/in	mm/in	mm/in	mm/in	mm/in	mm/in	mm/in	mm/in	mm/in	mm/in	mm/in	mm/in	mm/in
YSM102	30/1.18	46/1.81	30/1.18	40/1.57	8/0.31	-	25/0.98	2.5/0.10	5/0.20	4.5/0.18	-	1000/39.37	70/2.75	108/4.25
YSM103	30/1.18	46/1.81	30/1.18	40/1.57	8/0.31	-	25/0.98	2.5/0.10	5/0.20	4.5/0.18	-	1000/39.37	88/3.46	126/4.96
YSM206	41/1.61	70/2.75	50/1.97	60/2.36	14/0.55	-	30/1.18	3/0.12	6/0.24	5.5/0.22	-	1000/39.37	95/3.74	133/5.24
YSM212	41/1.61	70/2.75	50/1.97	60/2.36	14/0.55	-	30/1.18	3/0.12	6/0.24	5.5/0.22	-	1000/39.37	123/4.84	161/6.34
YSM323	52/2.05	90/3.54	70/2.75	80/3.15	16/0.63	19/0.75	40/1.57	3/0.12	8/0.31	6.5/0.25	35/1.38	1000/39.37	140/5.57	180/7.09

Motors are manufactured to millimeter dimensions shown. Inch dimensions shown are approximate conversions from millimeters. For further motor detail, engineering specification drawings are available upon request.

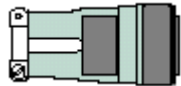
YSM Motor Connector Ordering Information

Ordering options include the following:

- 24 VDC Brake (Consult factory for brake motor availability)
- Motor Winding Voltage - 115 V or 230 V Drive Input Voltage
- Various NEMA style frame sizes

MOTOR MATING CONNECTORS

CONNECTOR KITS FOR YSM MOTORS



All YSM Motors
M.1301.4098

This kit includes connector, pins, and backshell for both the power and encoder connectors.

YSM Connector Data All YSM

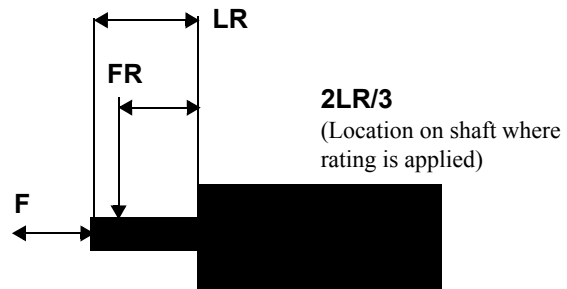
Motor Power Connector	
Pin	Signal
1	Phase R
2	Phase S
3	Phase T
4	-
5	Ground
6	-
7	Brake + ¹
8	-
9	Brake + ¹

¹No connection for nonbrake motors

Motor Feedback	
Pin	Signal
1-8	-
9	A+
10	A-
11	B+
12	B-
13	I+
14	I-
15	HALL A+
16	HALL A-
17	HALL B+
18	HALL B-
19	HALL C+
20	HALL C-
21	--
22	+5 VDC
23	Com
24	Encoder Case
25	--
26	--
27	--
28	--

YSM Brake and Shaft Load Data

Motor	Brake		Shaft	
	Holding Torque	Current at 24 VDC	Radial Load (FR)	Axial Load (F)
YSM102	0.157 Nm		10 kg	3 kg
YSM103	0.32 Nm	Consult	10 kg	3 kg
YSM206	0.637 Nm	Factory	20 kg	8 kg
YSM212	1.27		25 kg	10 kg
YSM323	2.38 Nm		35 kg	20 kg



NOTE: Above mating connector kit is not CE compliant. Please contact the factory for more information.

FSM Medium Inertia Brushless Servo Motors



Typical Applications

- Web and film processing
- Machine tool/metal cutting
- Textile machinery
- CAM replacements

Characteristics

- Higher inertia matching capability
- Heavy duty continuous operations
- Environmentally rugged

Standard Features

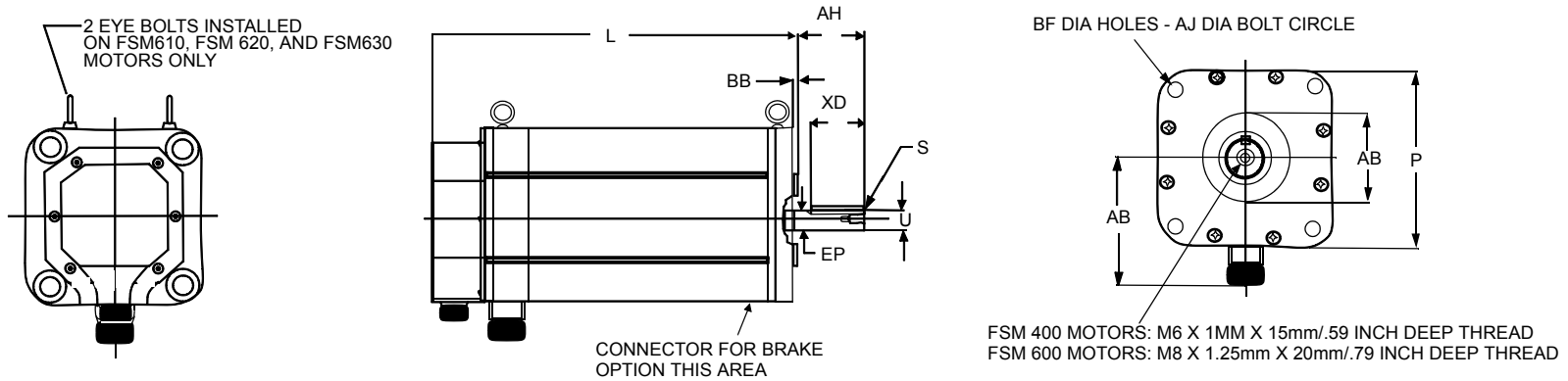
- Compact design is mechanically interchangeable with the FSM family
- Two frame sizes - six models
- Continuous torque from 31 to 245 lb-in (3.5 to 28 Nm)
- Speeds to 4000 RPM
- Ferrite permanent magnet rotors provide approximately four times greater rotor inertia than the FSM family for matching larger load inertias
- Internal thermal switch indicates overheating
- Motor mounted optical encoder includes 2000 quadrature pulses, index pulse and standard commutation channels for trapezoidal drives
- Water tight MS connections are compatible with standard cable assemblies; in addition, the extruded aluminum housing and environmental connectors provide an IP65 package (with the addition of the optional shaft seal kit)
- Economical, compact design ready for harsh environments
- Optional spring-set holding brakes available with 24 VDC or 90 VDC
- Axially trapped front bearing in a steel insert for long life at high speeds
- Vibration: 2.5 g peak 30-200 Hz
- Shock: 10.0 g peak 6 msec duration
- CE and UL recognized

FSM Motor And Performance Data

Motor Model	FSM430		FSM460		FSM490		FSM610		FSM620		FSM630		
Mechanical Data													
Rotor Moment of Inertia	lb-in-s ²	kg-m ²	lb-in-s ²	kg-m ²	lb-in-s ²	kg-m ²	lb-in-s ²	kg-m ²	lb-in-s ²	kg-m ²	lb-in-s ²	kg-m ²	
Rotor Moment of Inertia (Brake Motors)	.009	.0010	.019	.0021	.029	.0032	.057	.0064	.095	.0107	.144	.0162	
Motor Net Weight	lb	kg	lb	kg	lb	kg	lb	kg	lb	kg	lb	kg	
	19.6	8.9	31.0	14.1	42.0	14.1	49.2	22.3	68.2	30.9	95.2	43.2	
Damping	lb-in/kRPM	Nm/kRPM	lb-in/kRPM	Nm/kRPM	lb-in/kRPM	Nm/kRPM	lb-in/kRPM	Nm/kRPM	lb-in/kRPM	Nm/kRPM	lb-in/kRPM	Nm/kRPM	
	.5	.06	.94	.10	1.3	.15	1.4	.16	2.1	.24	3.3	.37	
Friction Torque	lb-in	Nm	lb-in	Nm	lb-in	Nm	lb-in	Nm	lb-in	Nm	lb-in	Nm	
	.56	.063	.94	.11	1.5	.17	1.5	.17	2.1	.24	4.1	.46	
Winding Data													
Sine Wave K _T Torque Constant @ 25°C ⁽¹⁾	lb-in/A	Nm/A	lb-in/A	Nm/A	lb-in/A	Nm/A	lb-in/A	Nm/A	lb-in/A	Nm/A	lb-in/A	Nm/A	
	4.8	.54	4.8	.54	6.5	.73	6.3	.71	6.2	.70	6.5	.73	
Sq Wave K _T Torque Constant @ 25°C ⁽²⁾													
	5.3	.60	5.3	.60	7.1	.80	6.9	.78	6.8	.80	7.1	.81	
KE Voltage Constant ⁽³⁾	66 V/kRPM		66 V/kRPM		89 V/kRPM		86 V/kRPM		85 V/kRPM		89 V/kRPM		
Winding Resistance - Phase to phase @ 25°C (ohms)	2.24		.89		.98		.51		.26		.16		
Winding Inductance - Phase to phase	6.8 mH		3.3 mH		3.4 mH		3.3 mH		1.7 mH		1.1 mH		
Thermal Resistance ⁽⁴⁾	.63°C/watt		.48°C/watt		.40°C/watt		.45°C/watt		.37°C/watt		.30°C/watt		
System Ratings													
Centurion Micro DSA Drive Line	(Sinusoidal Current)	DSA030		DSA030									
	Max. Cont. Operating Speed ⁽⁵⁾	3600 RPM		3500 RPM		N/A		N/A		N/A		N/A	
		lb-in	Nm	lb-in	Nm	lb-in	Nm	lb-in	Nm	lb-in	Nm	lb-in	Nm
	Continuous Stall Torque ⁽⁴⁾	31	3.5	46	5.2	N/A	N/A	N/A	N/A	N/A	N/A	N/A	N/A
	Peak Torque	100	11.3	120	13.6	N/A	N/A	N/A	N/A	N/A	N/A	N/A	
Centurion DSA100 Drive Line	(Sinusoidal Current)	n/a		DSA130		DSA130/175		DSA175		DSA175/1150		DSA175/1150	
	Max. Cont. Operating Speed ⁽⁵⁾	n/a		4000 RPM		3000 RPM		3000 RPM		3000 RPM		3000 RPM	
		n/a	n/a	lb-in	Nm	lb-in	Nm	lb-in	Nm	lb-in	Nm	lb-in	Nm
	Continuous Stall Torque ⁽⁴⁾	n/a	n/a	61	6.9	82/82	9.3/9.3	115	13	175/175	19.8/19.8	210/210	23.7/23.7
	Peak Torque	n/a	n/a	120	13.6	170/170	19.2/19.2	275	31	350/350	39.5/39.5	440/500	49.7/56.5

⁽¹⁾Peak value of per phase sine wave amps ⁽²⁾Peak value of per phase square wave amps ⁽³⁾Peak value of sinusoidal phase to phase volts ⁽⁴⁾At 125°C winding temperature, in a 40°C ambient, with motor mounted on 5" x 12" x 12" (1.2 x 30 x 30 cm) aluminum heat sink ⁽⁵⁾With 230 VAC line voltage input FSM Standard Motor Dimensions

FSM Standard Motor Dimensions



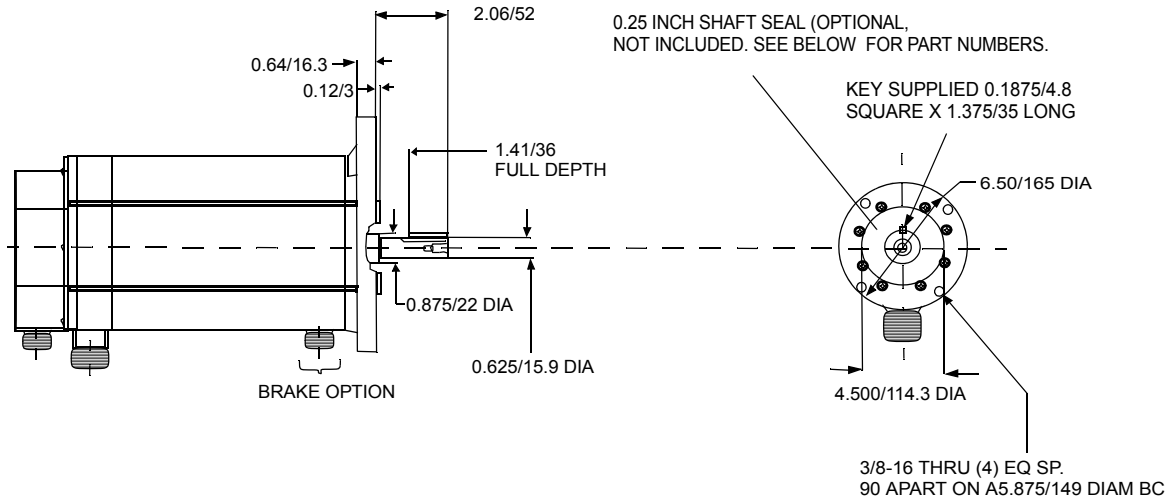
Model	AB	AJ	AK	P	U	EP	AH	BB	BF	XD	S	L	with Brake
	mm/in	mm/in	mm/in	mm/in	mm/in	mm/in	mm/in	mm/in	mm/in	mm/in	mm/in	mm/in	mm/in
FSM430	102/4.02	145/5.71	110/4.33	127/5.00	19/.75	22.2/8.75	50/1.97	3/.12	10/.39	38/1.49	6X6/.24X.24	194/7.64	257/10.12
FSM460	102/4.02	145/5.71	110/4.33	127/5.00	19/.75	22.2/8.75	50/1.97	3/.12	10/.39	38/1.49	6X6/.24X.24	272/10.71	335/13.19
FSM490	102/4.02	145/5.71	110/4.33	127/5.00	19/.75	22.2/8.75	50/1.97	3/.12	10/.39	38/1.49	6X6/.24X.24	350/13.78	413/16.26
FSM610	131/5.16	200/7.87	114.3/4.50	173/6.81	35/1.38	36.5/1.438	80/3.15	4.16	13.5/53	60/2.36	10X8/.39X.32	255/10.04	326/12.83
FSM620	131/5.16	200/7.87	114.3/4.50	173/6.81	35/1.38	36.5/1.438	80/3.15	4.16	13.5/53	60/2.36	10X8/.39X.32	320/12.60	390/15.35
FSM630	131/5.16	200/7.87	114.3/4.50	173/6.81	35/1.38	36.5/1.438	80/3.15	4.16	13.5/53	60/2.36	10X8/.39X.32	420/16.53	490/19.29

MOTORS ARE MANUFACTURED TO MILLIMETER DIMENSIONS SHOWN. INCH DIMENSIONS SHOWN ARE APPROXIMATE CONVERSIONS FROM MILLIMETERS.

FOR FURTHER MOTOR DETAIL, ENGINEERING SPECIFICATION DRAWINGS ARE AVAILABLE UPON REQUEST.

NEMA 56C ON FSM400 MOTORS

	L	L with Brake
FSM430	7.64/144	10.12/257
FSM460	10.71/272	13.19/335
FSM490	13.78/350	16.26/413



FSM Motor Connector Ordering Information

Ordering options include the following:

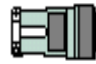
- 24 or 90 VDC Brake (Consult factory for brake motor availability)
- Encoder Line Count - 1,000, 2,000, 5,000, 500, or 3,000 line
- Special order motor windings available
- Various NEMA style frame sizes

Consult the factory for information on any of these items.


NOTE: Options are not available on all sizes. Optional configurations or encoder line counts have extended lead times and additional charges.

Motor Mating Connectors

MS Conn Kits FSM Motor Power:


	FSM400	<u>Straight</u> M.1015.7801	<u>Right Angle</u> M.1015.7802
	FSM600	M.1015.7804	M.1015.7805

MS Conn Kit FSM Encoder Feedback:

	<u>Straight</u> M.1015.7808
	<u>Right Angle</u> M.1015.7809

FSM Encoder Feedback

MS Conn Kit FSM Brake Power:

	<u>Straight</u> M.1015.7813
	<u>Right Angle</u> M.1015.7815

Brake Power

FSM Motor Shaft Seal Kits:

FSM400: M.1015.7904
FSM600: M.1015.7905

Shaft seals generally require the presence of a lubricant to reduce premature wear.

NOTE: Above mating connector kits are not CE compliant. Please contact the factory for more information.

FSM Connector Data
FSM400, 600

Motor Encoder Connector	
Pin	Signal
A	A+
B	A-
C	B+
D	B-
E	I+
F	I-
G	ENCODER CASE
H	ABS
J	+5VDC
K	-5VDC
L	COM
M	COM
N	Hall B
P	Hall C
R	TS+
S	TS-
T	Hall A

ALL FSM

Motor Power Connector	
Pin	Signal
A	R
B	S
C	T
D	MOTOR CASE

Motor Brake Connector	
PIN	SIGNAL
A	BR+
B	BR-

HSM Low Inertia Brushless Servo Motors



Typical Applications

- “Smart” conveyors
- Packaging machinery
- Punch press/material feeding
- Robotic pick and place
- High duty cycle applications

Characteristics

- High acceleration and peak torques
- High speed point-to-point positioning
- Environmentally rugged

Standard Features

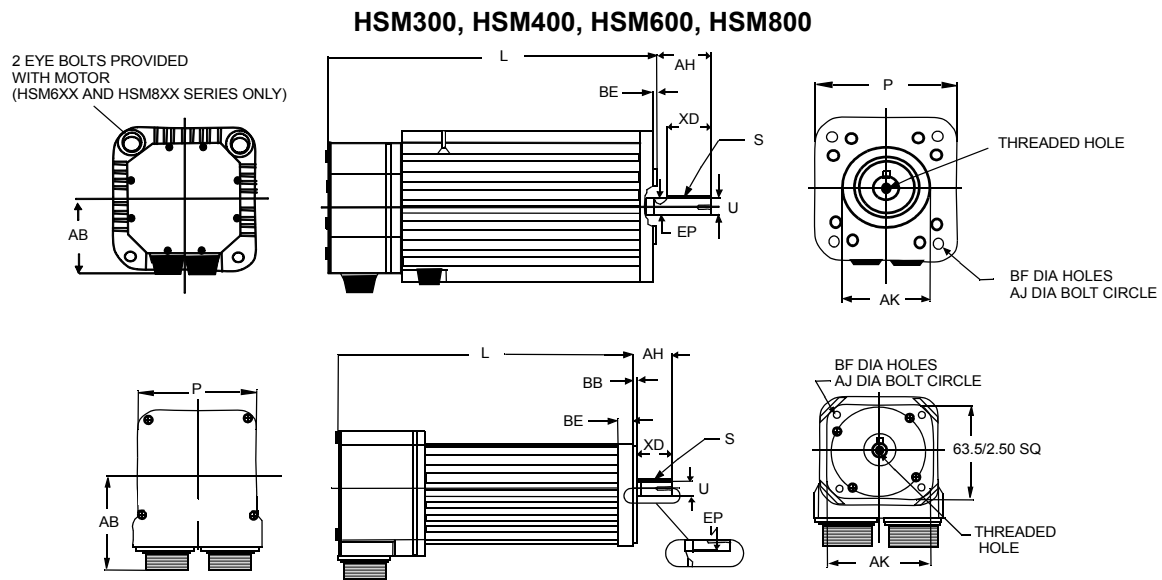
- Compact Design is mechanically interchangeable with the HSM400 and HSM600 motors
- Five frame sizes – twelve models
- Continuous torque from 5 to 450 lb-in (0.5 to 50 Nm)
- Speeds to 6000 RPM
- Neodymium-iron-boron permanent magnet rotors provide low inertias and high accelerations
- Internal thermal switch indicates overheating
- Motor mounted optical encoder includes 2000 quadrature pulses, index pulse and standard commutation channels for trapezoidal drives
- Watertight MS connections are compatible with standard cable assemblies; in addition, the extruded aluminum housing and environmental connectors provide an IP65 package (with the addition of the optional shaft seal kit)
- Economical, compact design ready for harsh environments
- Optional spring-set holding brakes available with 24 VDC or 90 VDC
- Axially trapped front bearing (in a steel insert in HSM4XX-, HSM6XX and HSM8XX series) for long life at high speeds
- Vibration: 2.5 g peak 30-2000 H
- Shock: 10.0 g peak 6 msec duration
- CE and UL recognized

HSM Motor And Performance Data

Motor Model	HSM205		HSM307		HSM320		HSM430		HSM460		HSM490		HSM610		HSM620		HSM630		HSM835		HSM845	
Mechanical Data																						
Rotor Moment of Inertia	lb-in-s ²	kg-m ²	lb-in-s ²	kg-m ²	lb-in-s ²	kg-m ²	lb-in-s ²	kg-m ²	lb-in-s ²	kg-m ²	lb-in-s ²	kg-m ²	lb-in-s ²	kg-m ²	lb-in-s ²	kg-m ²	lb-in-s ²	kg-m ²	lb-in-s ²	kg-m ²	lb-in-s ²	kg-m ²
	.00013	.000015	.00027	.000030	.00072	.000080	.0022	.00025	.0041	.00046	.0060	.00068	.012	.0014	.021	.0024	.030	.0034	.056	.0063	.083	.0094
Rot. Mom. of In (Brake Motors)	-	-	.00034	.000038	.00079	.000089	.0029	.00033	.0048	.00054	.0067	.00076	.015	.0017	.024	.0027	.033	.0037	.082	.0093	.109	.012
Motor Net Weight	lb	kg	lb	kg	lb	kg	lb	kg	lb	kg	lb	kg	lb	kg	lb	kg	lb	kg	lb	kg	lb	kg
	4.9	2.2	5.8	2.6	8.4	3.8	13.7	6.2	20.1	9.1	26.9	12.2	40.4	18.3	59.4	27.0	76.8	34.8	97.0	44.1	123.6	56.1
Damping	lb-in/kRPM	Nm/kRPM	lb-in/kRPM	Nm/kRPM	lb-in/kRPM	Nm/kRPM	lb-in/kRPM	Nm/kRPM	lb-in/kRPM	Nm/kRPM	lb-in/kRPM	Nm/kRPM	lb-in/kRPM	Nm/kRPM	lb-in/kRPM	Nm/kRPM	lb-in/kRPM	Nm/kRPM	lb-in/kRPM	Nm/kRPM	lb-in/kRPM	Nm/kRPM
	.06	.007	.09	.010	.12	.014	.30	.034	.40	.045	.60	.068	.90	.10	1.4	.16	1.7	.19	3.4	.38	3.8	.43
Friction Torque	lb-in	Nm	lb-in	Nm	lb-in	Nm	lb-in	Nm	lb-in	Nm	lb-in	Nm	lb-in	Nm	lb-in	Nm	lb-in	Nm	lb-in	Nm	lb-in	Nm
	.12	.014	.12	.014	.25	.028	.30	.034	.60	.068	1.2	.14	1.2	.14	2.1	.24	3.2	.36	2.8	.32	3.5	.40
Winding Data																						
Sine Wave K _T Torque Constant @ 25°C ¹	lb-in/A	Nm/A	lb-in/A	Nm/A	lb-in/A	Nm/A	lb-in/A	Nm/A	lb-in/A	Nm/A	lb-in/A	Nm/A	lb-in/A	Nm/A	lb-in/A	Nm/A	lb-in/A	Nm/A	lb-in/A	Nm/A	lb-in/A	Nm/A
	1.17	.13	2.5	.28	2.5	.28	4.4	.50	4.4	.50	6.6	.74	6.0	.68	5.8	.66	6.2	.70	7.6	.86	8.2	.92
Sq Wave K _T Torque Constant @ 25°C ²	lb-in	Nm	lb-in	Nm	lb-in	Nm	lb-in	Nm	lb-in	Nm	lb-in	Nm	lb-in	Nm	lb-in	Nm	lb-in	Nm	lb-in	Nm	lb-in	Nm
	1.3	.14	2.7	.31	2.7	.31	4.8	.54	4.8	.54	7.2	.81	6.6	.74	6.4	.72	6.8	.77	8.3	.94	9.0	1.0
KE Voltage Constant ³	16 V/kRPM		34 V/kRPM		343 V/kRPM		60 V/kRPM		60 V/kRPM		90 V/kRPM		82 V/kRPM		80 V/kRPM		85 V/kRPM		104 V/kRPM		112 V/kRPM	
Winding Resistance Ph to phase @ 25°C	2.6 %		6.6 %		1.3 %		2 %		0.69 %		0.90 %		0.49 %		0.18 %		0.12 %		0.13 %		0.10 %	
Winding Inductance Phase to phase	4.1 mH		12 mH		3.4 mH		9 mH		3.3 mH		5.4 mH		4.4 mH		2.2 mH		1.2 mH		2.5 mH		2.4 mH	
Thermal Resistance ⁴	1.45°C/watt		1.2°C/watt		0.89°C/watt		0.79°C/watt		0.57°C/watt		0.48°C/watt		0.34°C/watt		0.31°C/watt		0.24°C/watt		0.23°C/watt		0.21°C/watt	
System Ratings																						
Drive Model	DSA015		DSA015		DSA030		DSA030		DSA130/175		DSA130/175		DSA175/1150		DSA175/1150		DSA1150		DSA1150		DSA1150	
Max. Cont. Operating Speed (RPM) ⁵	6000		5000		5000		4000		4000/4000		3000/3000		3000		3000		3000		2000		2000	
Continuous Stall Torque ⁴	lb-in	Nm	lb-in	Nm	lb-in	Nm	lb-in	Nm	lb-in	Nm	lb-in	Nm	lb-in	Nm	lb-in	Nm	lb-in	Nm	lb-in	Nm	lb-in	Nm
	5.0	0.57	7	0.79	20	2.26	30	3.39	60/60	6.78/6.78	88/88	9.9/9.9	110	12.4	190/216	21.4/24.4	300	33.9	350	39.55	450	50.85
Peak Torque ⁹	lb-in	Nm	lb-in	Nm	lb-in	Nm	lb-in	Nm	lb-in	Nm	lb-in	Nm	lb-in	Nm	lb-in	Nm	lb-in	Nm	lb-in	Nm	lb-in	Nm
	14.0	1.6	22	2.49	44	4.97	73	8.25	120/190	13.5/21.47	180/270	20.3/30.5	290	32.8	360/480	40.7/54.2	700	79.1	600	67.8	960	108

¹Peak value of per phase sine wave amps⁴At 125° C winding temperature, in a 40° C ambient, Motors 307, 320 mounted on .25" x 10" x 10", motors 430, 460, 490 mounted on 0.5" x 12" x 12", Motors, 610, 620, 630, 835, 845 on a 1.0" x 12" x 12" aluminum heat sink.²Peak value of per phase square wave amps⁵With 230 VAC line voltage input³Peak value of sinusoidal phase to phase Volts

HSM Standard Motor Dimensions



Shaft End Threaded Hole

Motor	Thread	Thread Depth
HSM200	M3 x 0.5mm	10mm/.39in
HSM300	M4 x 0.7mm	10mm/.39in
HSM400	M6 x 1.0mm	15mm/.59in
HSM600	M8 x 1.25mm	20mm/.79in
HSM800	M8 x 1.25mm	20mm/.79in

NOTE: Motors manufactured to millimeter dimensions.

Model	AB	AH	AJ	AK	BB	BE	BF
	mm/in	mm/in	mm/in	mm/in	mm/in	mm/in	mm/in
HSM205	75/2.95	23/0.93 ³	75/2.95	60/2.36 ¹	2.4/0.09 ⁴	15.2/.60	5.8/0.23
HSM307	75/2.95	30/1.18 ³	100/3.94	80/3.15 ¹	3/.12 ⁴	10.9/.43	7/.28
HSM320	75/2.95	30/1.18 ³	100/3.94	80/3.15 ¹	3/.12 ⁴	10.9/.43	7/.28
HSM430	76/3.00	50/1.97 ³	145/5.71	110/4.33 ⁵	3/.12 ⁴	15.5/.61	10/.39
HSM460	76/3.00	50/1.97 ³	145/5.71	110/4.33 ⁵	3/.12 ⁴	15.5/.61	10/.39
HSM490	76/3.00	50/1.97 ³	145/5.71	110/4.33 ⁵	3/.12 ⁴	15.5/.61	10/.39
HSM610	101/4.00	80/3.15 ³	200/7.87	114.3/4.50 ⁵	4/.16 ⁴	21.3/.84	13.5/.53
HSM620	101/4.00	80/3.15 ³	200/7.87	114.3/4.50 ⁵	4/.16 ⁴	21.3/.84	13.5/.53
HSM630	101/4.00	80/3.15 ³	200/7.87	114.3/4.50 ⁵	4/.16 ⁴	21.3/.84	13.5/.53
HSM835	112/4.41	85/3.35 ³	265/10.43	230/9.06 ⁸	4/.16 ⁴	22.4/.88	15/.59
HSM845	112/4.41	85/3.35 ³	265/10.43	230/9.06 ⁸	4/.16 ⁴	22.4/.88	15/.59
Model	EP	L	L Brake	P	S	U	XD
	mm/in	mm/in	mm/in	mm/in	mm/in	mm/in	mm/in
HSM205	12/0.47	197/7.7	-	80/3.15	4x4/.16x.16	11/0.43 ²	18/0.71
HSM307	15/0.59	172/6.77	211/8.31	89/3.50	5x5/.20x.20	14/0.55 ²	20/0.79
HSM320	15/0.59	223/8.77	262/10.31	89/3.50	5x5/.20x.20	14/0.55 ²	20/0.79
HSM430	20/0.79	213/8.39	266/10.47	121/4.76	6x6/.24x.24	19/0.75 ⁶	40/1.57
HSM460	20/0.79	264/10.39	317/12.48	121/4.76	6x6/.24x.24	19/0.75 ⁶	40/1.57
HSM490	20/0.79	315/12.40	368/14.49	121/4.76	6x6/.24x.24	19/0.75 ⁶	40/1.57
HSM610	38/1.50	277/10.91	330/12.99	178/7.01	10x8/.39x.31	35/1.38 ⁷	60/2.36
HSM620	38/1.50	353/13.90	406/15.98	178/7.01	10x8/.39x.31	35/1.38 ⁷	60/2.36
HSM630	38/1.50	429/16.89	482/17.40	178/7.01	10x8/.39x.31	35/1.38 ⁷	60/2.36
HSM835	45/1.77	375/14.76	478/18.82	241/9.49	12x8/.47x.31	42/1.65 ⁷	60/2.36
HSM845	45/1.77	426/16.77	529/20.83	241/9.49	12x8/.47x.31	42/1.65 ⁷	60/2.36

¹Tolerance is -0.03/-0.0012 ²Tolerance is -0.01/-0.0004 ³Tolerance is +/- 0.5/ +/- 0.0196 ⁴Tolerance is +/- 0.2 / +/-0.0079 ⁵Tolerance is -0.035/-0.0014

⁶Tolerance is -0.013/-0.0051 ⁷Tolerance is -0.16/-0.006 ⁸Tolerance is -0.46/-0.0181

Motors are manufactured to millimeter dimensions shown. Inch dimensions shown are approximate conversions from millimeters. For further motor detail, engineering specification drawings are available upon request.

HSM Motor Connector Ordering Information

Ordering options include the following:

- 24 or 90 VDC Brake (Consult factory for brake motor availability)
- Encoder Line Count* - 1,000, 2,000, or 5,000** line
- Various NEMA style frame sizes

Consult the factory for information on any of these items.

*NOTE: Optional configurations or encoder line counts have extended lead times and additional charges.

**NOTE: 5000 Line count encoder motor top speed is limited to 3600 RPM due to frequency output limit of encoder. Check drive system configuration data for any additional restrictions imposed by drive input.

NOTE: All options are not available.

NOTE: Above mating connector kits are not CE compliant. Please contact the factory for more information.

HSM200, 300, 400, 600, 800 Connector Data

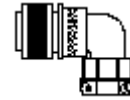
Motor Encoder Connector	
Pin	Signal
A	A+
B	A-
C	B+
D	B-
E	I+
F	I-
G	Encoder Case
H	ABS
J	+5VDC
K	-5VDC
L	COM
M	COM
N	Hall B
P	Hall C
R	TS+
S	TS-
T	Hall A

Motor Mating Connectors



Straight

M.1015.7798
M.1015.7801
M.1015.7804
M.1015.7807



Right Angle

M.1015.7799
M.1015.7802
M.1015.7805
M.1300.3509

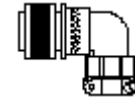
Motor
HSM200 & HSM300
HSM400
HSM600
HSM800

Brake Power Connectors



Straight
M.1015.7813

Right Angle
M.1015.7815

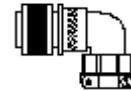


Encoder Feedback Connectors



Straight
M.1015.7808

Right Angle
M.1015.7809



HSM Motor Shaft Seal Kits

HSM200: M.1300.3484
HSM300: M.1007.0803
HSM400: M.1015.6923
HSM600: M.1015.6924
HSM800: M.1300.3485

Shaft seals generally require the presence of a lubricant to reduce premature wear.

ALL HSM Connector Data

Motor Power Connector	
Pin	Signal
A	R
B	S
C	T
D	Motor Case

Motor Brake Connector (Option)	
Pin	Signal
A	BR+
B	BR-

Application Guidelines For HSM, FSM, YSM, NSM Brake Motors

Brake Operation

The brakes offered as options in Giddings & Lewis motors are designed for holding the motor shaft at 0 RPM, up to the rated brake holding torque. The brakes are spring-set type and release when voltage is applied to the brake coil.

The brakes are not designed for stopping rotation of the motor shaft.

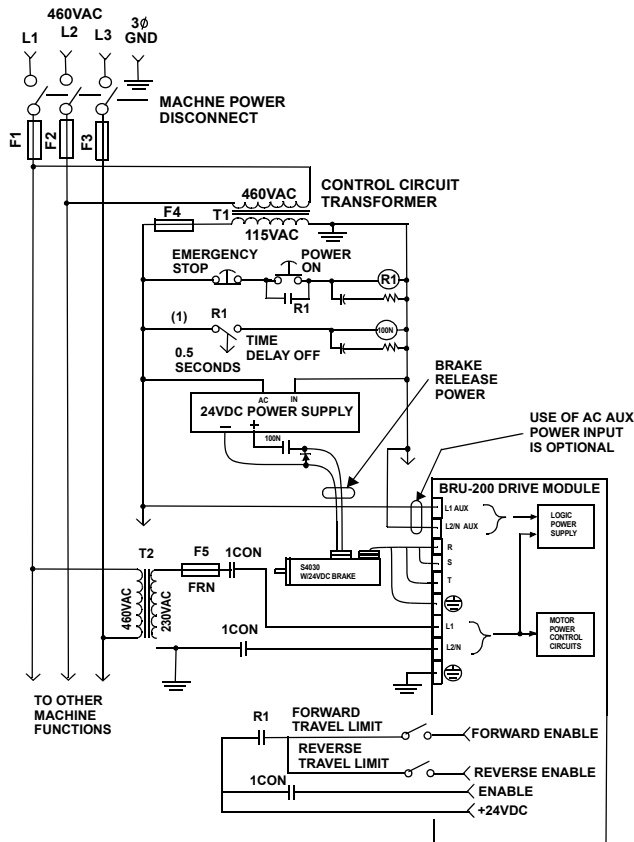
The primary method of stopping motor shaft rotation is to command the servo drive to decelerate the motor to 0 RPM. Servo drive inputs Command, Forward Enable, and Reverse Enable can be used to stop motor shaft rotation per timing and connection examples shown below.

Use of these brakes as stopping brakes will increase brake pad wear, increase rotational mechanical backlash, and reduce brake life.

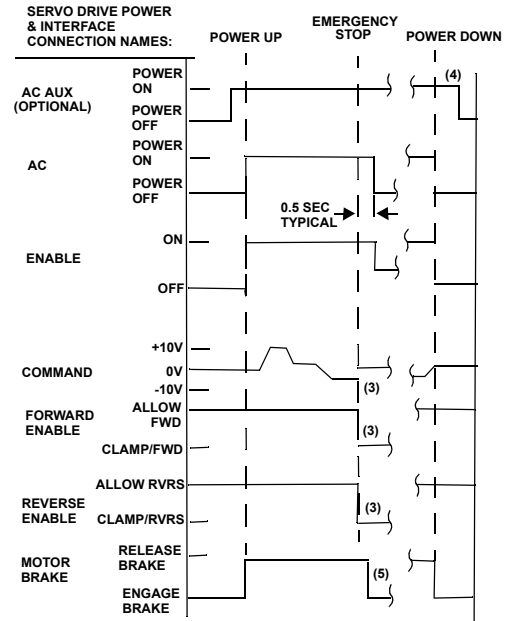
For an Emergency Stop condition, the servo drive should be used to decelerate the motor to 0 RPM before engaging the brake.

The brake should not be engaged until the servo drive has decelerated the motor to 0 RPM for an Emergency Stop condition.

Machine Wiring Example Showing Connections to DSA Drive Module



Power Up/Down Timing Examples of External Connections to DSA Drive Module



The previous drawing is intended as an example only. It does not show all interlocks required for safe operation of the equipment.

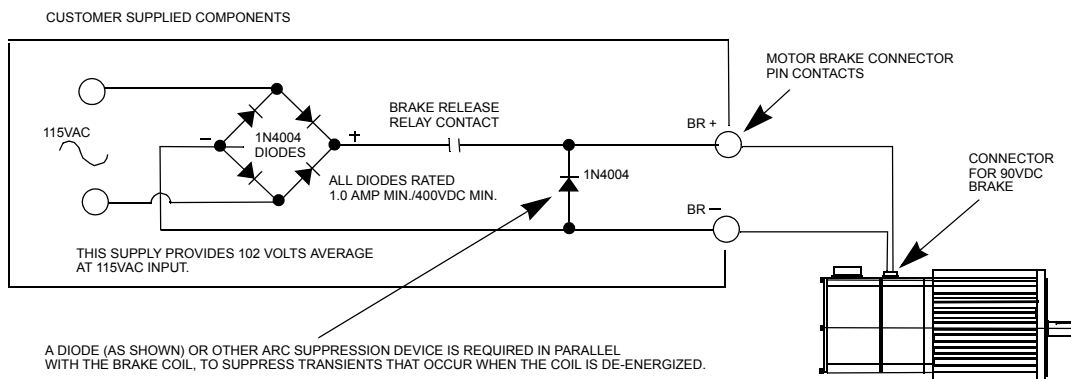
- (1) Time delay off contacts allow time for drive module to decelerate motor to 0 RPM before power to motor control circuits is removed.
- (2) Relay R1 contacts may be connected to Forward and Reverse Enable interface circuits as shown when no position controller is used. When the MMC or PiC900 is used, these R1 contacts would be connected to the position controller emergency stop input.

- (3) For emergency stop, Command should be immediately set to 0.0 VDC and/or Forward and Reverse Enable inputs set to clamp, to decelerate motor to 0 RPM before power to drive module is removed.
- (4) The only requirement for non-emergency power down sequence is to insure that the motor shaft is at 0 RPM before engaging the optional motor brake.
- (5) The brake available as an option on HSM Series and FSM Series motors is a holding brake, and is not rated for repeated use as a stopping brake.

Brake Data For HSM and FSM Motors

Motor	Maximum Back-lash (Brake Engaged)	Holding Torque (LB/IN)	Holding Torque NM	Coil Current at 24VDC	Coil Current at 90VDC
HSM300	1 degree, 30 minutes	20	2.26	0.6 ADC	0.21 ADC
HSM400, FSM400	44 minutes	90	10.2	0.88 ADC	0.26 ADC
HSM600, FSM600	29 minutes	300	22.6	1.13 ADC	0.33 ADC
HSM800	21 minutes	450	50.8	2.2 ADC	0.62 ADC

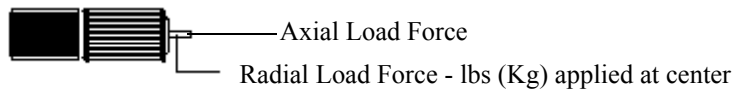
BRAKE VOLTAGE TOLERANCE: 24 VDC: 21.6 TO 27.6 VDC 90 VDC: 85 TO 115 VDC. DC or rectified AC voltage may be used to energize the brake coil.



Standard Motor Radial Load Force Ratings For NSM, HSM and FSM Motors

(Loads applied at center of shaft) For 20,000 HR Bearing Life

Motor	500 RPM		1000 RPM		2000 RPM		3000 RPM		4000 RPM		5000 RPM		6000 RPM	
	lb	kg	lb	kg	lb	kg	lb	kg	lb	kg	lb	kg	lb	kg
NSM2302	17	8	16	7	14	6	12	6	11	5	9	4	8	3
NSM2304	19	9	17	8	15	7	14	6	12	5	10	5	8	4
NSM3406	103	47	82	37	65	29	56	26	51	23	48	22	45	20
HSM205	105	47.7	84	38.2	66	30.0	58	26.4	53	24.1	49	22.3	45	20.5
HSM307	113	51.4	90	40.9	71	32.3	62	28.2	56	25.5	53	24.1		
NSM3412	113	51	89	40	71	32	62	28	56	26	53	24	49	22
HSM320	126	57.3	101	45.9	79	21.6	69	31.4	63	28.6	59	26.8		
NSM4214	137	62	109	49	86	39	76	34	68	31	64	29		
NSM4220	146	66	116	52	92	41	80	36	73	33	68	31		
HSM430	169	76.8	152	69.1	120	54.5	105	47.7	95	43.2				
NSM5630	188	85	149	67	118	53	103	47	94	43				
NSM5637	197	89	156	71	124	56	108	49	98	45				
FSM430	203	92.3	161	73.2	129	58.6	113	51.4	101	45.9				
NSM5647	203	92	161	73	128	58	112	51						
HSM460	205	93.2	164	74.5	129	58.6	113	51.4	103	46.8				
FSM460	229	104.1	184	83.6	144	65.5	126	57.3	116	52.7				
HSM490	215	97.7	173	78.6	137	62.3	118	53.6	108	49.1				
FSM490	244	110.9	194	88.2	154	70.0	133	60.5	121	55.0				
HSM610	435	197.7	345	156.8	274	124.5	240	109.1						
FSM610	428	194.5	341	155.0	268	121.8	236	107.3						
HSM620	469	213.2	375	170.5	296	134.5	259	117.7						
FSM620	465	211.4	368	167.3	293	133.2	255	115.9						
HSM630	495	225.0	390	177.3	311	141.4	270	122.7						
FSM630	495	225.0	390	177.3	311	141.4	270	122.7						
HSM835	495	225.0	394	179.1	311	141.4								
HSM845	518	235.4	413	187.7	326	148.2								



NOTE: Motors are capable of carrying an axial load in most applications per the following general guidelines which should be used only as an approximation. Please consult with Giddings & Lewis to discuss your application loads to ensure the proper selection of motors.

- When motor shaft has no radial load, Axial load rating = 100% of radial load rating from table above.
- When motor shaft has both a radial load and an axial load, axial load rating = 44% of radial load rating from table above.

XSM Low Inertia Brushless Servo Motors



Typical Applications

- “Smart” conveyors
- Packaging machinery
- Punch press/material feeding
- Robotic pick and place
- High duty cycle applications

Characteristics

- High acceleration and peak torques
- High speed point-to-point positioning
- Environmentally rugged

Standard Features

- High energy neodymium magnet rotors provide high acceleration/deceleration in minimum
- Temperature sensors built into windings allow intelligent shut down in overload conditions
- Unique stator design provides optimal thermal transfer allowing successful automation of high hit rate, demanding applications
- Use direct mount pinions and belt pulleys for cost-effective application
- Standard cable sets simplify machine design, build and commissioning
- Incremental encoder standard, high resolution and multi-turn absolute encoder available
- Machine design simplified using standard gearboxes and mounting plates
- Industrial packaging insures reliable operation in harsh environments
- UL, cUL and CE Mark allow worldwide application
- Maintenance-free design manufactured in ISO9000 facility
- Use available CAD (.DXF) drawings for easy design into your machine

XSM Motor Performance Data

Motor Model	XSM 100-14-502		XSM 100-14-302		XSM 100-27-502		XSM 100-27-352		XSM 100-37-502		XSM 115-42-502		XSM 115-53-502		XSM 115-55-352		XSM 130-53-502		XSM 130-53-402		
Mechanical Data																					
Rotor Moment of Inertia	lb-in-s ² .00037	kg-m ² .000042	lb-in-s ² .00037	kg-m ² .000042	lb-in-s ² .00067	kg-m ² .000076	lb-in-s ² .00067	kg-m ² .000076	lb-in-s ² .00097	kg-m ² .00011	lb-in-s ² .0023	kg-m ² .00026	lb-in-s ² .0034	kg-m ² .00038	lb-in-s ² .0034	kg-m ² .00038	lb-in-s ² .0024	kg-m ² .00027	lb-in-s ² .0024	kg-m ² .00027	
Motor Net Weight	lb 5.7	kg 2.6	lb 5.7	kg 2.6	lb 7.9	kg 3.6	lb 7.9	kg 3.6	lb 10	kg 4.6	lb 9.3	kg 4.2	lb 12	kg 5.5	lb 12	kg 5.5	lb 13	kg 5.9	lb 13	kg 5.9	
Winding Data																					
KE Voltage Constant ³ (V/krPM)	52		80		52		72		52		52		52		76		52		62		
Winding Resistance Ph to phase @ 25°C	4.7		12		1.8		3.9		1.2		1.0		0.63		1.3		.58		0.88		
Winding Inductance Phase to phase (mH)	25		55		12		24		7.5		5.6		3.6		7.5		5.6		7.6		

Motor Model	XSM 130-72-402		XSM 130-74-282		XSM 130-90-152		XSM 130-90-302		XSM 100-14-504		XSM 100-27-504		XSM 100-37-504		XSM 115-42-504		XSM 115-58-504		XSM 130-50-504		XSM 130-73-404		
Mechanical Data																							
Rotor Moment of Inertia	lb-in-s ² .0034	kg-m ² .00028	lb-in-s ² .0034	kg-m ² .00038	lb-in-s ² .0044	kg-m ² .0005	lb-in-s ² .0044	kg-m ² .0005	lb-in-s ² .00037	kg-m ² .00004	lb-in-s ² .00069	kg-m ² .00008	lb-in-s ² .001	kg-m ² .00012	lb-in-s ² .0023	kg-m ² .00026	lb-in-s ² .0033	kg-m ² .00038	lb-in-s ² .0024	kg-m ² .00028	lb-in-s ² .0036	kg-m ² .0004	
Motor Net Weight	lb 16	kg 7.3	lb 16	kg 7.3	lb 8.6	kg 19	lb 19	kg 8.6	lb 5.8	kg 2.7	lb 8.0	kg 3.7	lb 10	kg 4.6	lb 9.4	kg 4.3	lb 12	kg 5.5	lb 13	kg 5.9	lb 16	kg 7.3	
Winding Data																							
KE Voltage Constant ³ (V/krPM)	62		92		173		86		96		96		96		100		100		96		115		
Winding Resistance Ph to phase @ 25°C	0.51		1.2		2.6		.75		20		7.5		4.61		3.8		2.4		2.5		2		
Winding Inductance Phase to phase (mH)	4.7		12		30		7.5		93		42		28		21		13		21		18		

Motor Model	XSM 130-73-304		XSM 130-90-304		XSM 165-95-404		XSM 165-172-404		XSM 215-325-304		XSM 215-425-304		XSM 215-531-304		XSM 165-95-402		XSM 165-172-402		
Mechanical Data																			
Rotor Moment of Inertia	lb-in-s ² .0036	kg-m ² .0004	lb-in-s ² .0046	kg-m ² .00052	lb-in-s ² .0069	kg-m ² .00078	lb-in-s ² .013	kg-m ² .00147	lb-in-s ² .0354	kg-m ² .004	lb-in-s ² .051	kg-m ² .0058	lb-in-s ² .0685	kg-m ² .00775	lb-in-s ² .0069	kg-m ² .00078	lb-in-s ² .013	kg-m ² .00147	
Motor Net Weight	lb 16	kg 7.3	lb 19	kg 8.6	lb 21.5	kg 9.8	lb 33	kg 15	lb 59	kg 26.8	lb 77	kg 35	lb 89	kg 40.5	lb 21.5	kg 9.8	lb 33	kg 15	
Winding Data																			
KE Voltage Constant ³ (V/ kRPM)	180		158		130		130		168		168		168		65		65		
Winding Resistance Ph to phase @ 25°C	4.2		2.6		1.49		.65		.349		.254		.189		.4		.167		
Winding Inductance Phase to phase (mH)	41		25		27		13		11		7.2		5.5		7.0		3.3		

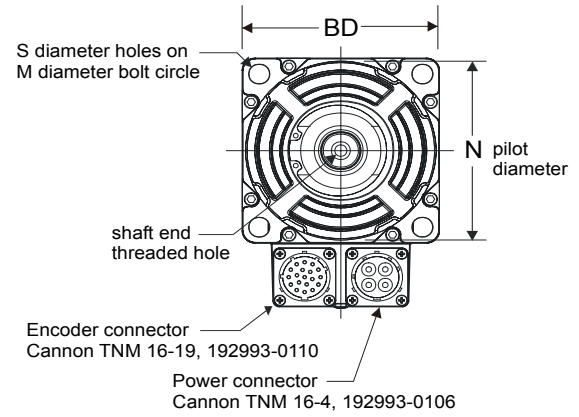
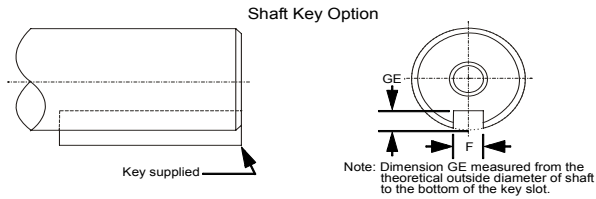
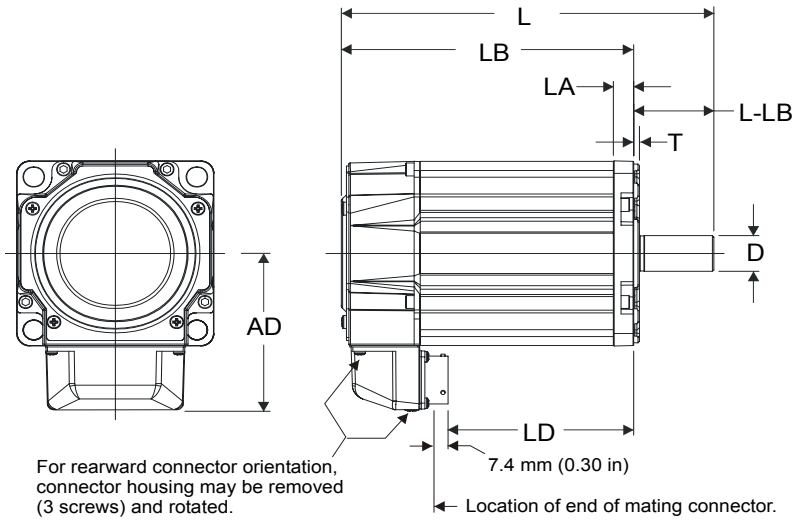
¹Peak value of per phase sine wave amps

²Peak value of per phase square wave amps

³Peak value of sinusoidal phase to phase Volts

⁴At 125° C winding temperature, in a 40° C ambient, Motors XSM100-165 mounted on 0.5” x 12” x 12”, Motors XSM215 mounted on 1” x 12” x 12” aluminum heat sink

XSM Standard Motor Dimensions



Shaft End Threaded Hole

Motor	Thread	Thread Depth
XSM100-14, 27, 37	M5 x .08 mm	12.5 mm (0.49 in.)
XSM 115-42, 53/55	M6 x 1.0 mm	16 mm (0.63 in.)
XSM130-53, 72/74, 90	M8 x 1.25 mm	19 mm (0.75 in.)
XSM165-95, 172	M10 x 1.5-6 mm	22 mm (0.87 in.)
XSM215-325, 425, 531	M12 x 1.75 mm	28.0 mm (1.10 in.)

Note: Motors manufactured to millimeter dimensions

DIMENSIONS														TOLERANCES
Model	AD	BD	D	F	GE	L	LA	LB	L-LB	M	N	S	T	mm/in
	mm/in	mm/in	mm/in	mm/in	mm/in	mm/in	mm/in	mm/in	mm/in	mm/in	mm/in	mm/in	mm/in	
XSM100-14	80.9 (3.19)	89.4 (3.52)	16.0 (0.6299)	5.0 (0.197)	30 (0.118)	163.9 (6.46)	9.9 (0.39)	123.9 (4.88)	40.0 (1.575)	100 (3.937)	80 (3.150)	7.0 (0.276)	2.87 (0.113)	D: +0.008/-0.003 (+0.0003/ 0.0001) L-LB: ±0.7 (±0.028) N: +0.012/-0.007 (+0.0005/- 0.0003) S: +0.36/-0.0 (+0.014/-0.0)
XSM100-27						189.3 (7.46)		149.3 (5.88)						
XSM100-37						214.7 (8.46)		174.7 (6.88)						
XSM115-42	83.9 (3.30)	98.3 (3.87)	19.0 (0.7480)	3.5 (0.14)	6.0 (0.2)	185.7 (7.32)	10.2 (0.40)	145.7 (5.74)	40.0 (1.575)	115 (4.528)	95 (3.7402)	10.0 (0.394)	2.87 (0.113)	D: +0.009/-0.004 (+0.0004/- 0.0002) L-LB: ±0.7 (±0.028) N: +0.013/-0.009 (+0.0005/- 0.0004) S: +0.36/-0.0 (+0.014/-0.0)
XSM115-53/55						211.1 (8.32)		171.1 (6.74)						
XSM130-53	91.5 (3.60)	113.7 (4.48)	24.0 (0.9449)	8.0 (0.315)	4.0 (0.158)	199 (7.84)	12.2 (0.48)	149 (5.87)	50 (1.969)	130 (5.118)	110 (4.3307)	10.0 (0.394)	3.38 (0.133)	D: +0.009/-0.004 (+0.0003/ 0.0002) F: -0.0036 (-0.0002) GE: ±0.10 (±0.0035) L-LB: ±0.7 (±0.028) N: +0.014/-0.009 (+0.0006/- 0.0003) S: +0.43/-0.0 (±0.008)
XSM130-72/74						224.4 (8.84)		174.4 (6.87)						
XSM130-90						249.8 (9.84)		199.8 (7.87)						
XSM165-95,	Non-Brake 106.2 (4.18) 24Vdc Brake 105.4 (4.15)	143.5 (5.65)	28.0 (1.1024)	8.0 (0.315)	4.10 (0.1615)	233 (9.173)	13.97 (0.55)	173 (6.81)	60 (2.362)	165.0 (6.496)	130 (5.1181)	12 (0.481)	3.38 (0.133)	D: +0.009/-0.004 (+0.0003/ 0.0002) F: -0.0036 (-0.0002) GE: ±0.10 (±0.0035) L-LB: ±0.7 (±0.028) N: +0.014/-0.009 (+0.0006/- 0.0003) S: +0.43/-0.0 (±0.008)
XSM 165-172						283.8 (11.173)		223.8 (8.81)						
XSM215-325	Non-Brake 142.9 (5.625) 24Vdc Brake 141.1 (5.56)	184.60 (7.27)	38.001 (1.4961)	10.00 (0.3937)	5.10 (0.201)	303.6 (11.95)	17.80 (0.70)	223.6 (8.80)	80 (3.150)	215.00 (8.465)	180.00 (7.0866)	14.175 (8.465)	3.86 (0.152)	D: +0.006/-0.0 (±0.0006/-0.0) F: +0.0/-0.036 (+0.0/-0.0014) GE: ±0.10 (±0.004) L-LB: ±0.7 (±0.028) N: +0.014/-0.009 (+0.0006/- 0.0004) S: +0.215 (±0.008)
XSM215-425						354.4 (13.95)		274.4 (10.8)						
XSM215-531						405.2 (15.95)		325.2 (12.8)						

¹Tolerance is -0.03/-0.0012 ²Tolerance is -0.01/-0.0004 ³Tolerance is +/- 0.5/ +/- 0.0196 ⁴Tolerance is +/- 0.2 / +/-0.0079 ⁵Tolerance is -0.035/-0.0014 ⁶Tolerance is -0.013/-0.0051 ⁷Tolerance is -0.16/-0.006

⁸Tolerance is -0.46/-0.0181

Motors are manufactured to millimeter dimensions shown. Inch dimensions shown are approximate conversions from millimeters. For further motor detail, engineering specification drawings are available upon request.

XSM Motor Connector Ordering Information

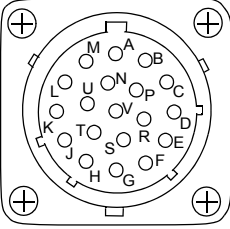
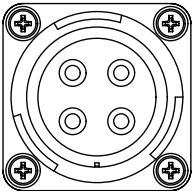
Ordering options include the following:

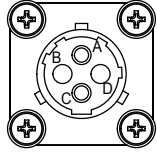
- 24VDC (Consult factory for brake motor availability)
- Encoder Line Count* - 2,000, line
- Single and line multiturn high resolution encoders yielding up to 1,048,576 counts per revolution

*Note: Optional configurations or encoder line counts may have extended lead times and additional charges. Not all options are available with all motor sizes.

Item	Motor Model	Part No.	Cable
Power Connector	XSM100, 115, 130, 165	M.1301.4035	CONN-PWR-XSM-ST-10
	XSM215	M.1301.9160	CONN-PWR-XSM-ST-08
Encoder Connector	All XSM motors	M.1301.4036	CONN-ENC-XSM-ST-22
Brake Connector	All XSM motors	M.1301.4037	CONN-BRK-XSM-ST-14
Motor Shaft Seal Kits	XSM100	M.1301.4031	N/A
	XSM115	M.1301.4032	N/A
	XSM130	M.1301.4033	N/A
	XSM165	M.1301.9161	N/A
	XSM215	M.1301.9162	N/A

XSM Connector Data

Feedback Connectors			
			
ITT Cannon TNM 16-19, 192993		ITT Cannon CA-COM 24-22P	
Pin	2000 Line Encoder	High Resolution Encoder for XSM 230VAC Motor	High Resolution Encoder for XSM 460VAC Motor
A	A+	Sin+	Sin+
B	A-	Sin-	Sin-
C	B+	Cos+	Cos+
D	B-	Cos-	Cos-
E	I+	Data+	Data+
F	I-	Data-	Data-
G	GROUND	Reserved	Reserved
H	ABS		
J	Reserved		
K	+5VDC		
L	Common	Common	Reserved
M	Reserved	Reserved	
N			
P			
R	TS+	TS+	TS+
S	TS	TS-	TS-
T	S1	Reserved	Reserved
U	S2		
V	S3		

Power/Brake Connectors	
	
ITT Cannon TNM 10-4	
Power Connector	
Pin	Signal
A	PHASE R
B	PHASE S
C	PHASE T
D	GROUND
Brake Connector	
Pin	Signal
A	BR+
B	Reserved
C	BR-
D	Reserved

Standard Motor Radial Load Force Ratings For XSM Motors

Motors are capable of operating with the maximum radial or maximum axial shaft loads listed in the following tables. Radial loads are applied midway along the shaft extension. The table represents 20,000-hour L10 bearing fatigue life. This 20,000-hour life does not account for possible application-specific life reduction that may occur due to bearing grease contamination from external sources

RADIAL LOAD FORCE RATINGS							
(Maximum Radial Load)							
MOTOR	500 rpm kg (lb)	1000 rpm kg (lb)	2000 rpm kg (lb)	3000 rpm kg (lb)	3500 rpm kg (lb)	4000 rpm kg (lb)	5000 rpm kg (lb)
XSM100-14	78 (171)	62 (136)	49 (108)	-	40 (89)	-	36 (79)
XSM100-27	87 (192)	69 (152)	55 (121)	-	45 (100)	-	40 (89)
XSM100-37	-	74 (163)	59 (129)	-	49 (107)	-	43 (95)
XSM115-42	-	78 (172)	62 (136)	-	51 (113)	-	45 (100)
XSM115-53/55	106 (234)	84 (186)	67 (148)	-	55 (122)	-	49 (109)
XSM130-53	-	97 (213)	77 (169)	67 (147)	64 (140)	61 (134)	56 (124)
XSM130-72/74	133 (292)	105 (232)	84 (184)	73 (161)	-	66 (146)	-
XSM130-90	140 (309)	111 (245)	89 (195)	77 (170)	-	-	-
XSM165-95	-	127 (280)	100 (222)	88 (194)	-	80 (176)	-
XSM165-172	-	143 (316)	114 (251)	99 (219)	-	90 (199)	-
XSM215-325	253 (552)	200 (442)	159 (351)	139 (307)	-	-	-
XSM215-425	275 (607)	219 (482)	173 (382)	151 (334)	-	-	-
XSM215-531	291 (641)	230 (509)	183 (404)	160 (353)	-	-	-

AXIAL LOAD FORCE RATINGS							
(Maximum Radial Load)							
MOTOR	500 rpm kg (lb)	1000 rpm kg (lb)	2000 rpm kg (lb)	3000 rpm kg (lb)	3500 rpm kg (lb)	4000 rpm kg (lb)	5000 rpm kg (lb)
XSM100-14	30 (66)	23 (50)	16 (36)	-	13 (29)	-	11 (24)
XSM100-27	34 (74)	25 (56)	19 (41)	-	15 (32)	-	13 (28)
XSM100-37	-	27 (59)	20 (44)	-	16 (35)	-	13 (29)
XSM115-42	-	36 (80)	27 (59)	-	21 (47)	-	18 (39)
XSM115-53/55	52 (115)	39 (86)	29 (63)	-	22 (49)	-	19 (42)
XSM130-53	-	31 (68)	23 (50)	19 (42)	18 (39)	17 (37)	15 (33)
XSM130-72/74	45 (100)	34 (74)	25 (55)	21 (46)	-	19 (41)	-
XSM130-90	49 (107)	36 (80)	27 (59)	22 (49)	-	-	-
XSM165-95	-	42 (94)	30 (68)	26 (58)	-	22 (50)	-
XSM165-172	-	48 (107)	35 (79)	30 (66)	-	26 (58)	-
XSM215-325	89 (197)	66 (146)	48 (107)	41 (90)	-	-	-
XSM215-425	98 (217)	72 (159)	53 (118)	45 (99)	-	-	-
XSM215-531	104 (230)	77 (169)	34 (125)	47 (104)	-	-	-

AXIAL LOAD FORCE RATINGS (Zero Radial Load)							
MOTOR	500 rpm kg (lb)	1000 rpm kg (lb)	2000 rpm kg (lb)	3000 rpm kg (lb)	3500 rpm kg (lb)	4000 rpm kg (lb)	5000 rpm kg (lb)
XSM100-14	49 (109)	36 (80)	27 (59)	-	21 (47)	-	18 (40)
XSM100-27	49 (109)	36 (80)	27 (59)	-	21 (47)	-	18 (40)
XSM100-37	-	36 (80)	27 (59)	-	21 (47)	-	18 (40)
XSM115-42	-	51 (112)	38 (83)	-	30 (65)	-	25 (55)
XSM115-53/55	69 (152)	51 (112)	38 (83)	-	30 (65)	-	25 (55)
XSM130-53	-	51 (112)	38 (83)	31 (69)	30 (65)	28 (61)	25 (55)
XSM130-72/74	69 (152)	51 (112)	38 (83)	31 (69)	-	28 (61)	-
XSM130-90	69 (152)	51 (112)	38 (83)	31 (69)	-	-	-
XSM165-95	-	67 (149)	49 (109)	41 (92)	-	26 (81)	-
XSM165-172	-	67 (149)	49 (109)	41 (92)	-	26 (81)	-
XSM215-325	136 (300)	99 (219)	74 (163)	62 (137)	-	-	-
XSM215-425	136 (300)	99 (219)	74 (163)	62 (137)	--	-	-
XSM215-531	136 (300)	99 (219)	74 (163)	62 (137)	--	-	-

