

Step up to a smart drive in a small package!

Introducing the Mini Stepper Drive from API Motion

Mini Stepper Drives bring the powerful features and performance benefits of our popular Digital and Intelligent servo drives to microstepping applications.

- Eliminate expensive motion controllers in most applications
- Ultra compact stepper drive supplies up to 6 Amps continuous current per phase
- More advanced features than you can get from even the most expensive drives:
 - High speed gearing
 - Registration
 - Camming
 - Programmable I/O
 - Full protection
- Works with APImate® 3, our graphical program development software
- Optional DeviceNet™ or Ethernet network interface
- Full two-year warranty



API Motion

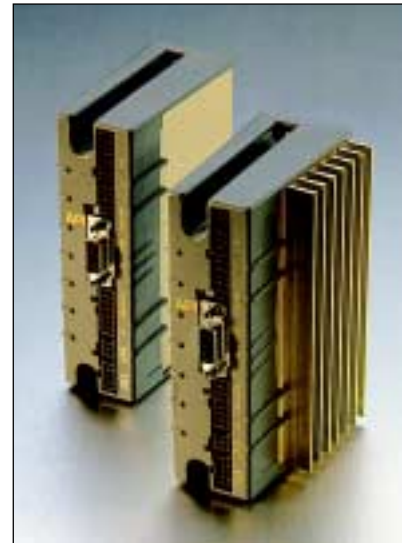
Intelligent Mini Step Drives

- Drives both standard hybrid stepper and low-inertia disc magnet stepper motors
 - Ultra compact package
 - Software selectable current and resolution to 51,200 spr
- Advanced all-digital drive design
 - APImate® 3 graphical software for rapid program development and easy setup
 - High speed camming, gearing and registration control

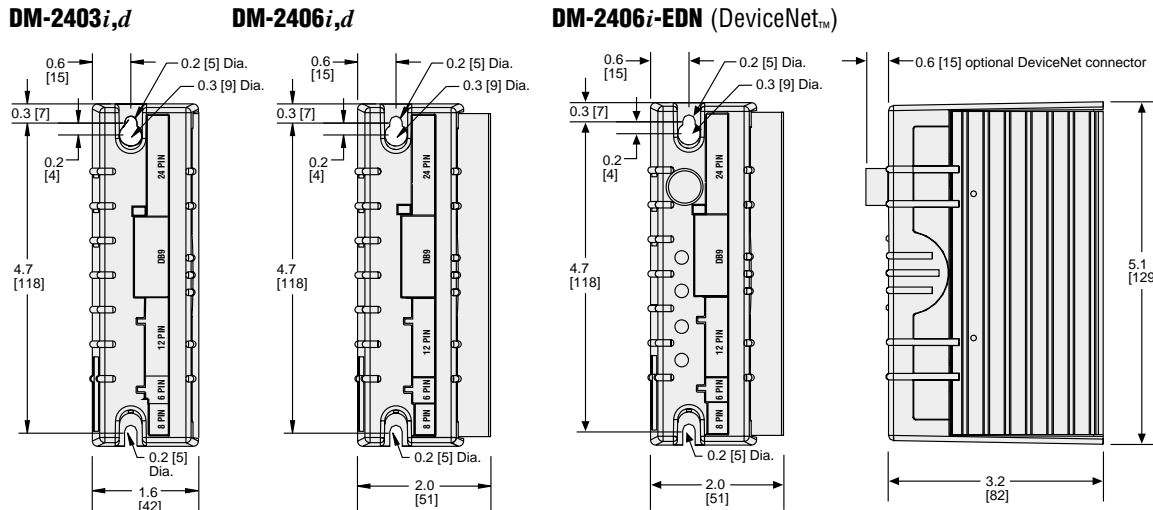
DM-2400 Mini Stepper drives incorporate API Motion's 4th generation hardware architecture for advanced reliable operation in rugged industrial environments. The 2400's feature fast 40 kHz switching; re-circulating digital current loop; anti-resonance control; and software selectable max current, step resolution, low power mode, and auto switching between full and microstep operation.

The Digital version accepts traditional step and direction commands at up to 2 MHz. The Intelligent version adds networking, full programmability and advanced I/O control. Intelligent drives eliminate the need for expensive motion controllers in many applications.

Both drives are fully protected against typical operational hazards, and include a regen energy circuit.



DM-2403i and DM-2406i models shown



Representative drawing only; request complete catalog for individual model data.

Model	Digital		Intelligent	
	DM-2403d	DM-2406d	DM-2403i	DM-2406i
Continuous (A)/Peak Current (A-1 sec)	3 / 5	6 / 10	3 / 5	6 / 10
Command Types	Step/dir; step up/down; encoder following		Digital; +/- 10V analog or velocity (10-bit); step/dir; step up/down; encoder following	
Communication	Serial RS-232 or RS-485 (setup only)		Serial RS-232 or RS-485 (optional DeviceNet™, or Ethernet)	
I/O (opto 5-30 VDC)	Enable input; limits; Drive OK / brake output		Enable input; Drive OK / brake output	
Programmable I/O (opto 5-30 VDC)	N/A		8 inputs including three 5 VDC high speed inputs; 3 outputs	
Extended I/O Version (opto 5-30 VDC)	N/A		24 inputs including three 5 VDC high speed inputs; 11 outputs	
Power Input (VDC)	18-74 VDC main drive power; 18-48 VDC back-up control power			
Motor Feedback Type	Encoder (2 MHz)			
Protection	Short-circuit; over/under voltage; over temperature; feedback loss; watchdog			
Connectors	3mm Locking Molex; DB9 serial port			

API Motion Products and their use are covered by one or more patents including, but not limited to US5357178.

API-M-CF012 3/00

