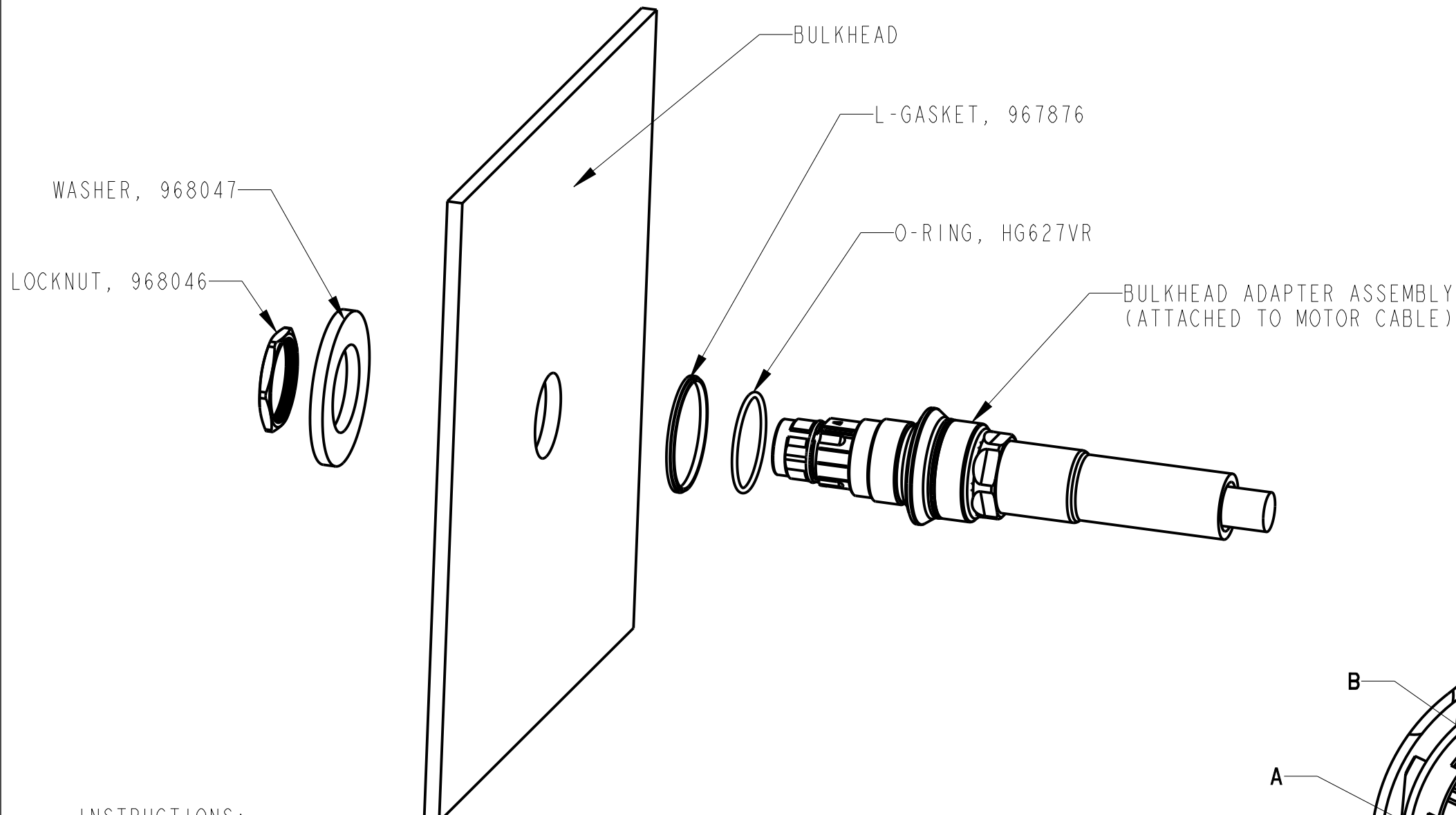


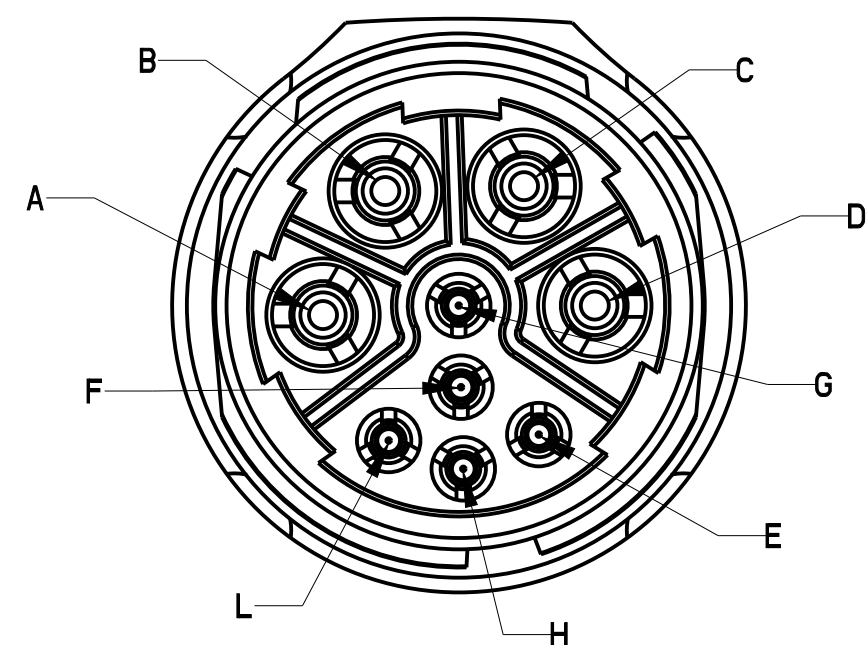
REVISION HISTORY

| REV | ECO NUMBER | DESCRIPTION | DATE | APP'D |
|-----|------------|-------------|------|-------|
| | | | | |



INSTRUCTIONS:

1. PLACE L-GASKET AND O-RING IN GROOVES ON FACE OF ADAPTER
2. PASS ADAPTER ASSEMBLY THROUGH BULKHEAD
3. PLACE WASHER AND LOCKNUT OVER ADAPTER ON OTHER SIDE OF BULKHEAD
4. TORQUE LOCKNUT TO 25 Nm



CONNECTOR PINOUT

| | |
|---|---------|
| A | PHASE U |
| B | PHASE V |
| C | PHASE W |
| D | GROUND |
| E | DATA + |
| F | BRAKE + |
| G | BRAKE - |
| H | DATA - |
| L | N/A |

This drawing contains PROPRIETARY information and is the property of KOLLMORGEN. This drawing may not be copied or used without prior written approval of KOLLMORGEN

INTERPRET GEOMETRIC SYMBOLS PER ANSI Y14.5M-1982

| | |
|----------------------|---------|
| Pro/E Model File Rev | P0 |
| Pro/E Instance Name | FZ00335 |
| Pro/E Drawing Name | FA0019H |
| Pro/E Model Type | PART |

Pro/Engineer Drawing

MILLIMETERS

| | | |
|------------------------------------|---|---|
| SIGNIFICANT PRODUCT CHARACTERISTIC | UNLESS OTHERWISE SPECIFIED: DIMENSIONS APPLY BEFORE COATINGS REMOVE ALL SHARP BURRS AND BREAK ALL SHARP EDGES | |
| | MILLIMETER VALUES: ANGULAR TOLERANCE: ±1° X DEC. PLACE: ±.4mm XX DEC. PLACE: ±.13mm | [INCH] VALUES: ANGULAR TOLERANCE: ±1° XX DEC. PLACE: ±.015" XXX DEC. PLACE: ±.005" |
| CRITICAL PRODUCT CHARACTERISTIC | DO NOT SCALE DRAWING USE DIMENSIONS ONLY ALL DIMENSIONS ARE MM [INCH] INCH DIMENSIONS IN BRACKETS [] ARE FOR REFERENCE ONLY | |
| THIRD ANGLE PROJECTION | DRAWN BY: KLG | DATE: Dec-19-16 |
| | CHECKED BY: KLG | DATE: 12/19/16 |
| | APPROVED BY: KLG | DATE: 12/19/16 |

KOLLMORGEN

Design Control Location:
201 West Rock Road
Radford, Virginia 24141
United States of America

INSTALLATION BULLETIN - AKMH
BULKHEAD ADAPTER

| | | | |
|--------------|--------------|----------|-----|
| SIZE | CAGE CODE | DWG. NO. | REV |
| B | - | FA0019H | - |
| SCALE: 1.000 | SHEET 1 OF 1 | | |