

INSTALLATION BULLETIN

AKMH MOTOR - VENTED CONNECTOR OPTION - DUAL CABLES "R" OPTION

PART NUMBER: FA0005H REV: A

PAGE 1 OF 2

AKMH DUAL CABLE OPTIONS - VENTED CONNECTOR, NON-STAINLESS STEEL IP67 CONNECTORS

OPTION "GG" = SINGLE TURN HYPERFACE SRS50 (AKMH 4 THRU 6)
 OPTION "GH" = MULTI-TURN HYPERFACE SRM50 (AKMH4 THRU 6)

SAMPLE MOTOR LISTING: AKMH52E-EKRN^{GG}_{GH}2K

OPTION LOCATION WITHIN MOTOR LISTING

POWER CONNECTOR

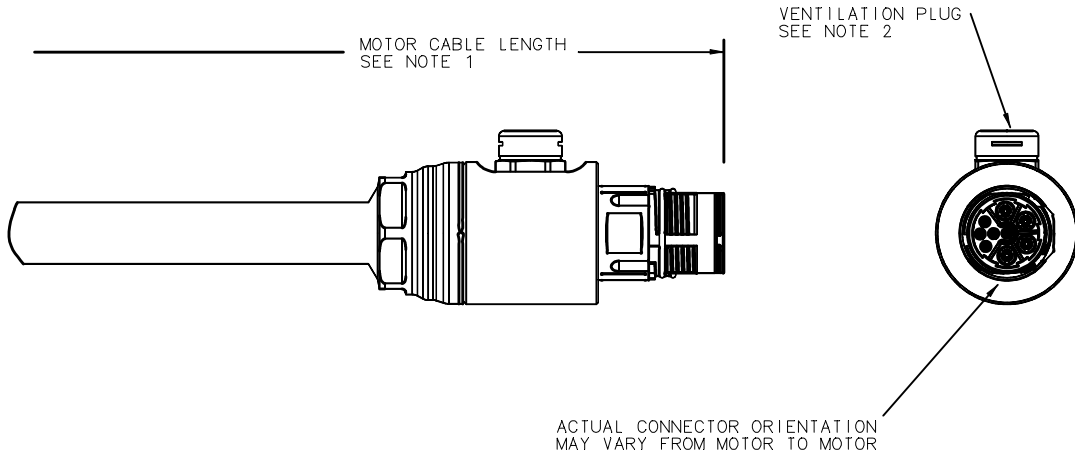
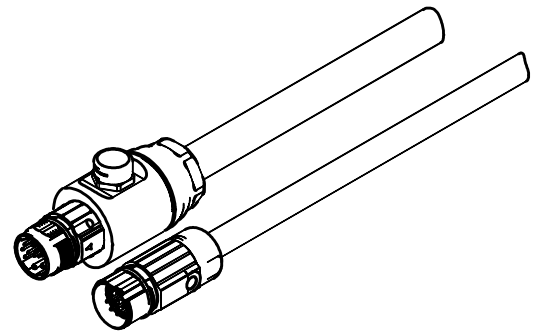
COMBINED POWER & BRAKE
 (VIEW FACING FRONT)



CONNECTOR PART NUMBER INTERCONTEC BEGA000MR28000222000	
PIN	FUNCTION
A	U BLUE
B	V BROWN
C	W BLACK
D	GROUND GREEN/YELLOW
E	N/C
F	BRAKE + RED
G	BRAKE - BLUE
H	N/C
L	N/C

SHIELDING CONNECTED TO MOTOR
 GROUND INTERNAL TO MOTOR

SUGGESTED MATING CONNECTOR
 INTERCONTEC BSTA082FR79590100000



NOTES:

- REFER TO OUTLINE DRAWING / PART NUMBER FOR OVERALL CABLE LENGTH.
- VENT PLUG IS NOT HYGIENIC, CABLE MUST HAVE SUFFICIENT LENGTH TO KEEP VENT PLUG OUTSIDE THE PRODUCT CONTACT ZONE.
- MOTOR SEALED TO IP69K, CONNECTOR IS IP67 ONLY.

INSTALLATION BULLETIN

AKMH MOTOR - VENTED CONNECTOR OPTION - DUAL CABLES "R" OPTION

PART NUMBER: FA0005H REV: A

PAGE 2 OF 2

AKMH DUAL CABLE OPTIONS - VENTED CONNECTOR, NON-STAINLESS STEEL IP67

OPTION "GG" = SINGLE TURN HYPERFACE SRS50 (AKMH 4 THRU 6)
 OPTION "GH" = MULTI-TURN HYPERFACE SRM50 (AKMH4 THRU 6)

SAMPLE MOTOR LISTING: AKMH52E-EKRN^{GG}_{GH}2K

OPTION LOCATION WITHIN MOTOR LISTING

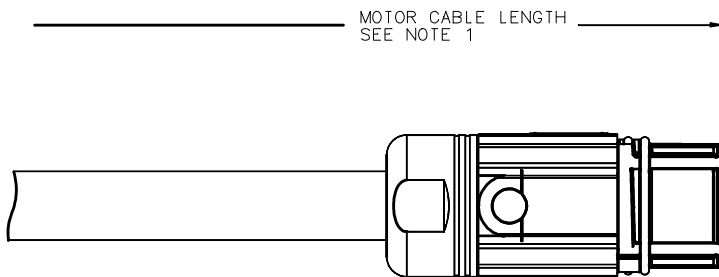
HYPERFACE ENCODER (VIEW FACING FRONT)



CONNECTOR PART NUMBER INTERCONTEC AKUA034NN00610200000		
PIN	FUNCTION	
1	SIN +	WHITE
2	SIN -	BROWN
3	COS +	PINK
4	COS -	GREY
5	DATA +	YELLOW
6	DATA -	GREEN
7	N/C	
8	N/C	
9	N/C	
10	N/C	
11	VCC	RED
12	GND	BLUE
13	THERMAL SENSOR +	VIOLET
14	THERMAL SENSOR -	BLACK
15	N/C	
16	N/C	
17	N/C	

SHIELD IS CONNECTED AT BOTH ENDS OF THE CABLE

SUGGESTED MATING CONNECTOR
 INTERCONTEC ASTA035NN00610235000



NOTES:

- 1 REFER TO OUTLINE DRAWING / PART NUMBER FOR OVERALL CABLE LENGTH.
- 2 VENT PLUG IS NOT HYGIENIC, CABLE MUST HAVE SUFFICIENT LENGTH TO KEEP VENT PLUG OUTSIDE THE PRODUCT CONTACT ZONE.
- 3 MOTOR SEALED TO IP69K, CONNECTOR IS IP67 ONLY.