

INSTALLATION BULLETIN

AKMH MOTOR - VENTED CONNECTOR OPTION

PART NUMBER: FA0003H REV: B
PAGE 1 OF 1

AKMH SINGLE CABLE OPTIONS - VENTED CONNECTOR, STAINLESS STEEL IP69K
 OPTION "CA" = SMART FEEDBACK DEVICE (GENERATION 3)
 OPTION "GE" = SINGLE-TURN DSL
 OPTION "GF" = MULTI-TURN DSL

SAMPLE MOTOR LISTING: AKMH52E-ACVNGE2K
 CA
 GF

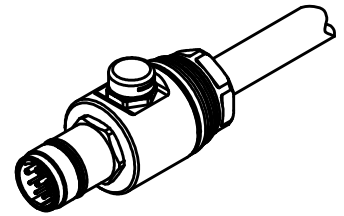
OPTION LOCATION WITHIN
MOTOR LISTING

OPTION "V" WITH "GE" "GF" & "CA" FEEDBACK

COMBINED POWER & FEEDBACK
(VIEW FACING FRONT)

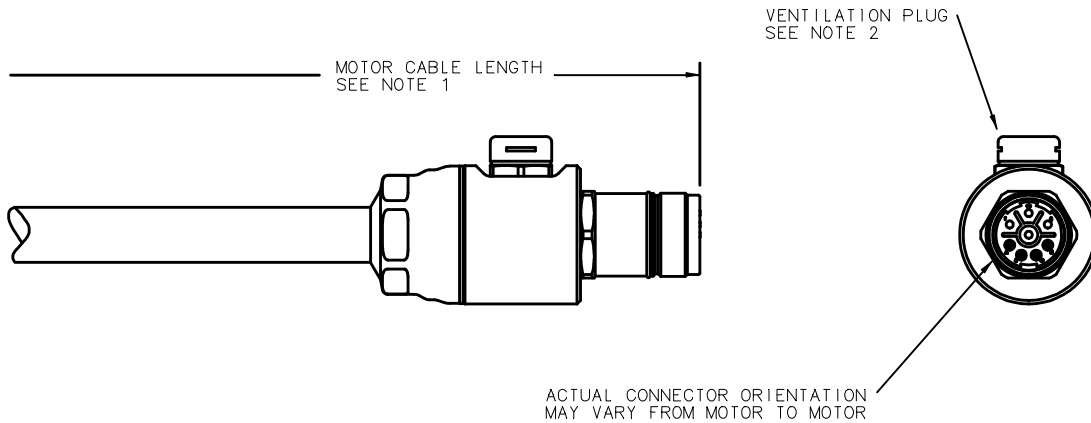


CONNECTOR PART NUMBER HUMMEL KIT 7.621.443.991	
PIN	FUNCTION
1	U BLUE
2	PE GRN/YEL
3	W BLACK
4	V BROWN
A	BRAKE + RED
B	BRAKE - BLUE
C	COM - WHITE
D	COM + BROWN



SHIELDING CONNECTED TO MOTOR
GROUND INTERNAL TO MOTOR

SUGGESTED MATING CONNECTOR	
HUMMEL KIT 7.554.608.991	



NOTES:

- REFER TO OUTLINE DRAWING / PART NUMBER FOR OVERALL CABLE LENGTH.
- VENT PLUG IS NOT HYGIENIC, CABLE MUST HAVE SUFFICIENT LENGTH TO KEEP VENT PLUG OUTSIDE THE PRODUCT CONTACT ZONE.