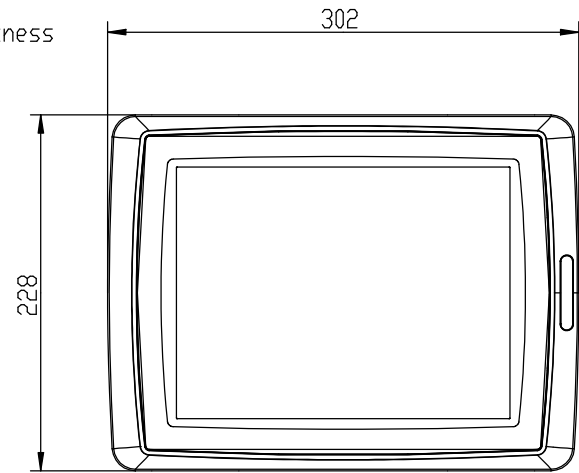
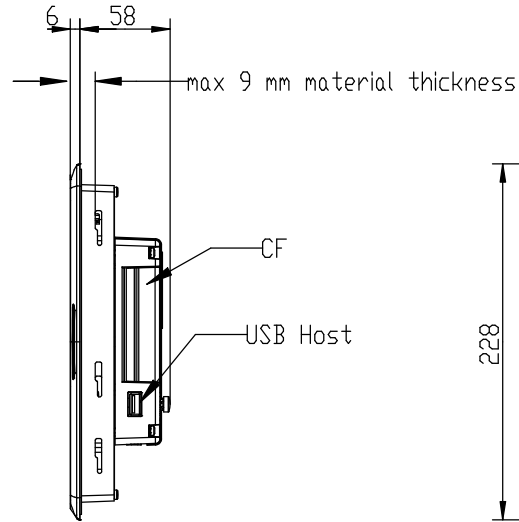
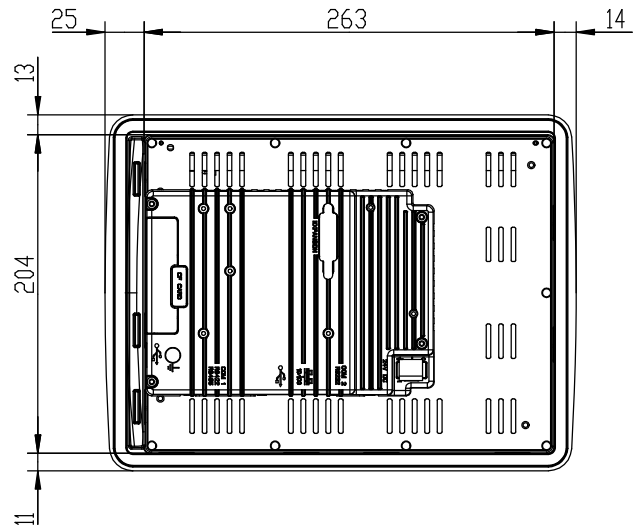
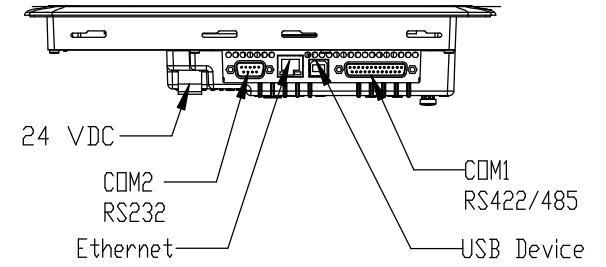
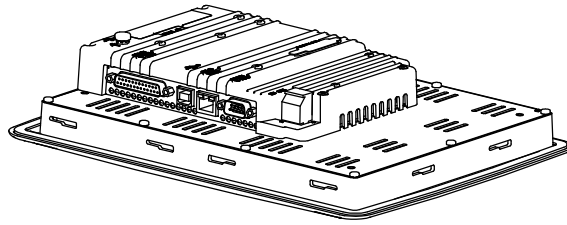
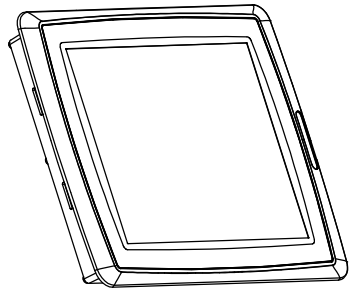


This document is our property and shall not without our permission in writing be altered, copied, used for manufacturing or communicated to any other person or company.



Cut out  
 264.5±1 x 206±1 mm  
 (10.4±0.04 x 8.1±0.04 inch)  
 Note: See AKI-CDT-MOD-10T\_DRW\_2\_REV\_1.dwg for cutout template.

Kollmorgen Automation Suite - HMI		
Product	AKI-CDT-MOD-10T	
Product Name	10.4" Touchscreen HMI	
Product Description	Graphic Operator Terminal	
Revision Number	1	
Document Number	AKI-CDT-MOD-10T_DRW_1_REV_1.dwg	
Date: 9/24/10	Sheet: 1(2)	Standard: ISO