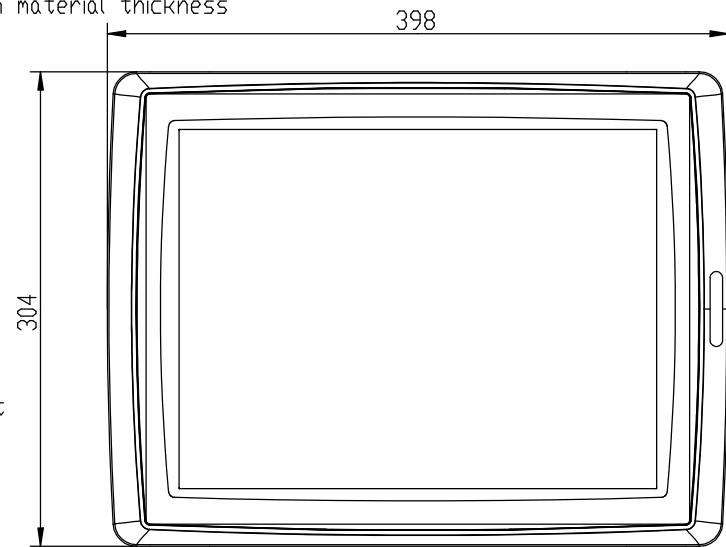
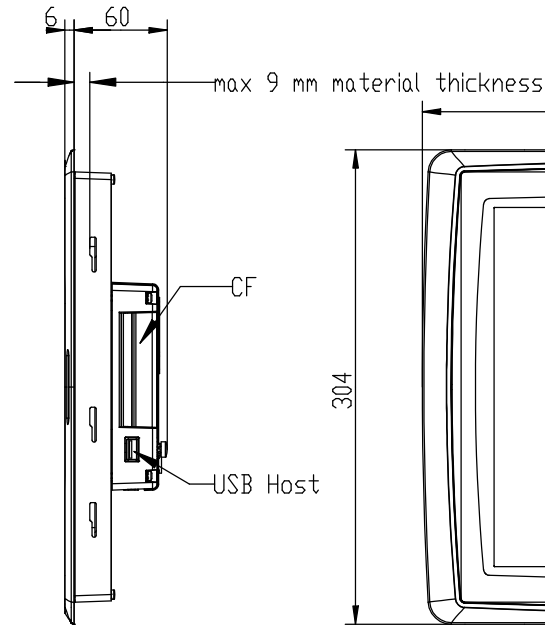
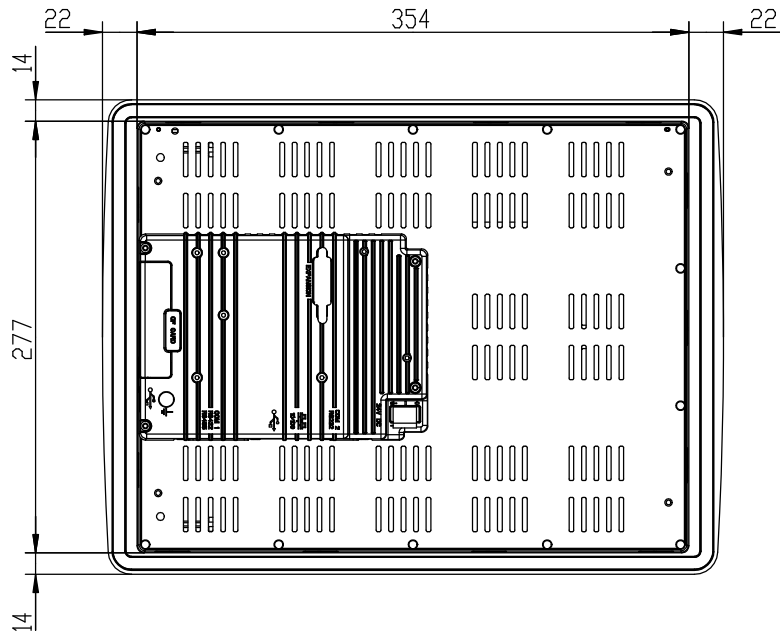
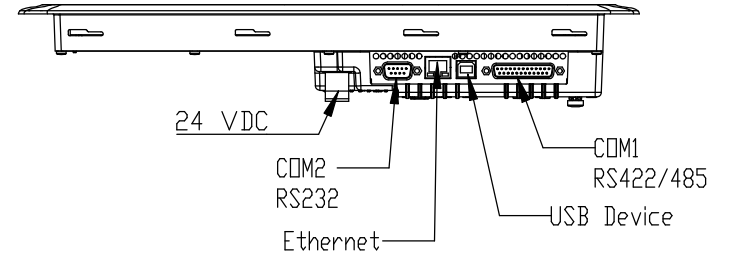
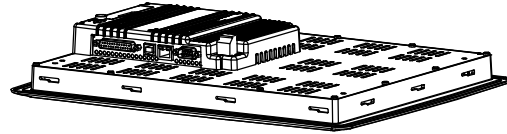
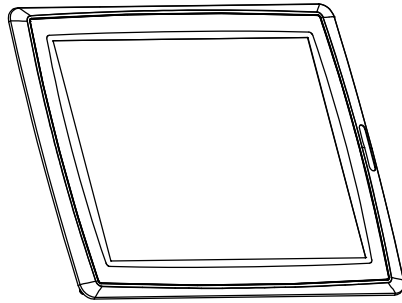


This document is our property and shall not without our permission in writing be altered, copied, used for manufacturing or communicated to any other person or company.



Cut out
 355.5±1 x 278.5±1 mm
 (14±0.04 x 10.96±0.04 inch)
 Note: See AKI-CDT-MDD-15T_DRW_2_REV_1.dwg for cutout template.

Kollmorgen Automation Suite - HMI		
Product	AKI-CDT-MDD-15T	
Product Name	15.1" Touchscreen HMI	
Product Description	Graphic Operator Terminal	
Revision Number	1	
Document Number	AKI-CDT-MDD-15T_DRW_1_REV_1.dwg	
Date: 9/24/10	Sheet: 1(2)	Standard: ISO