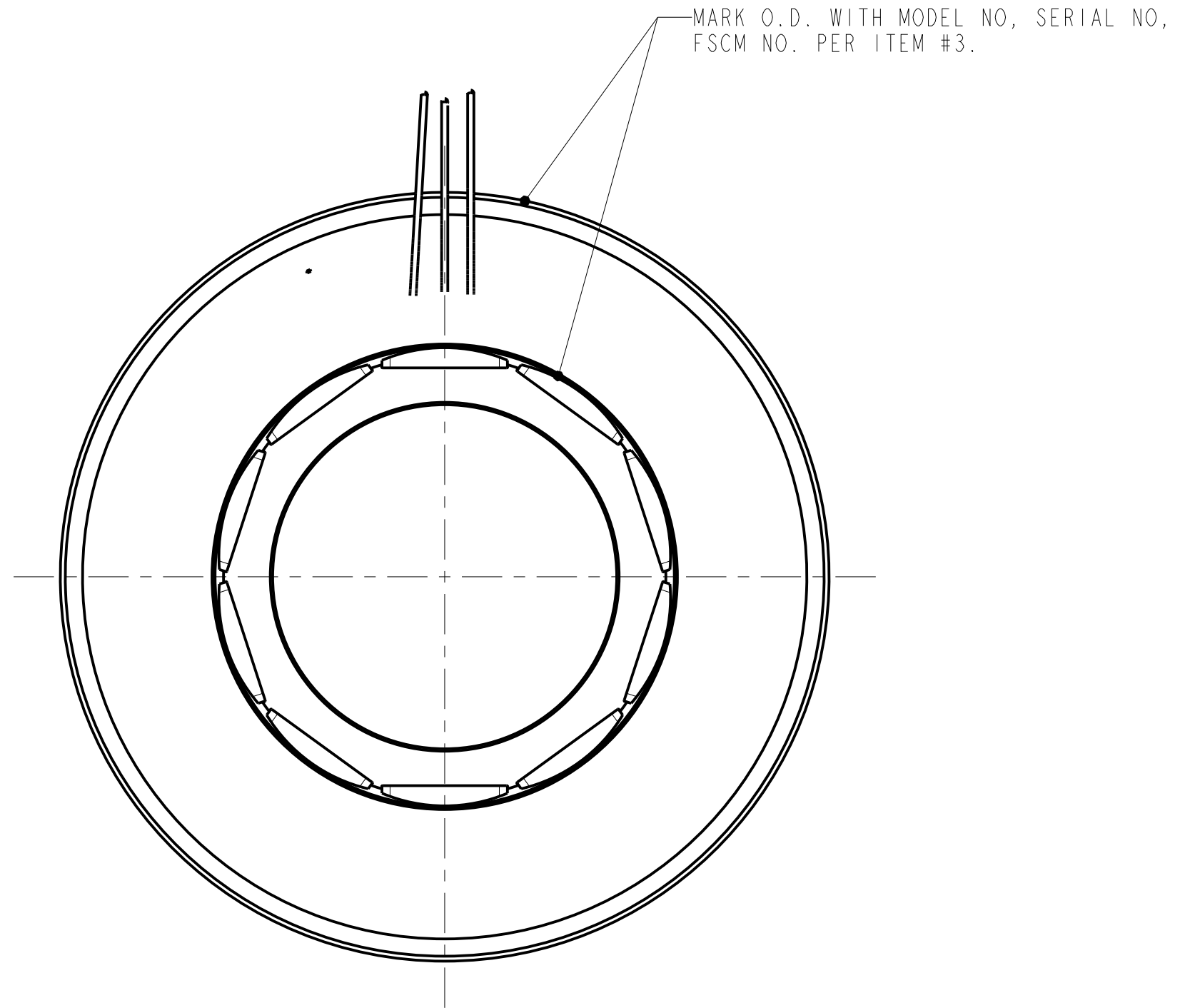
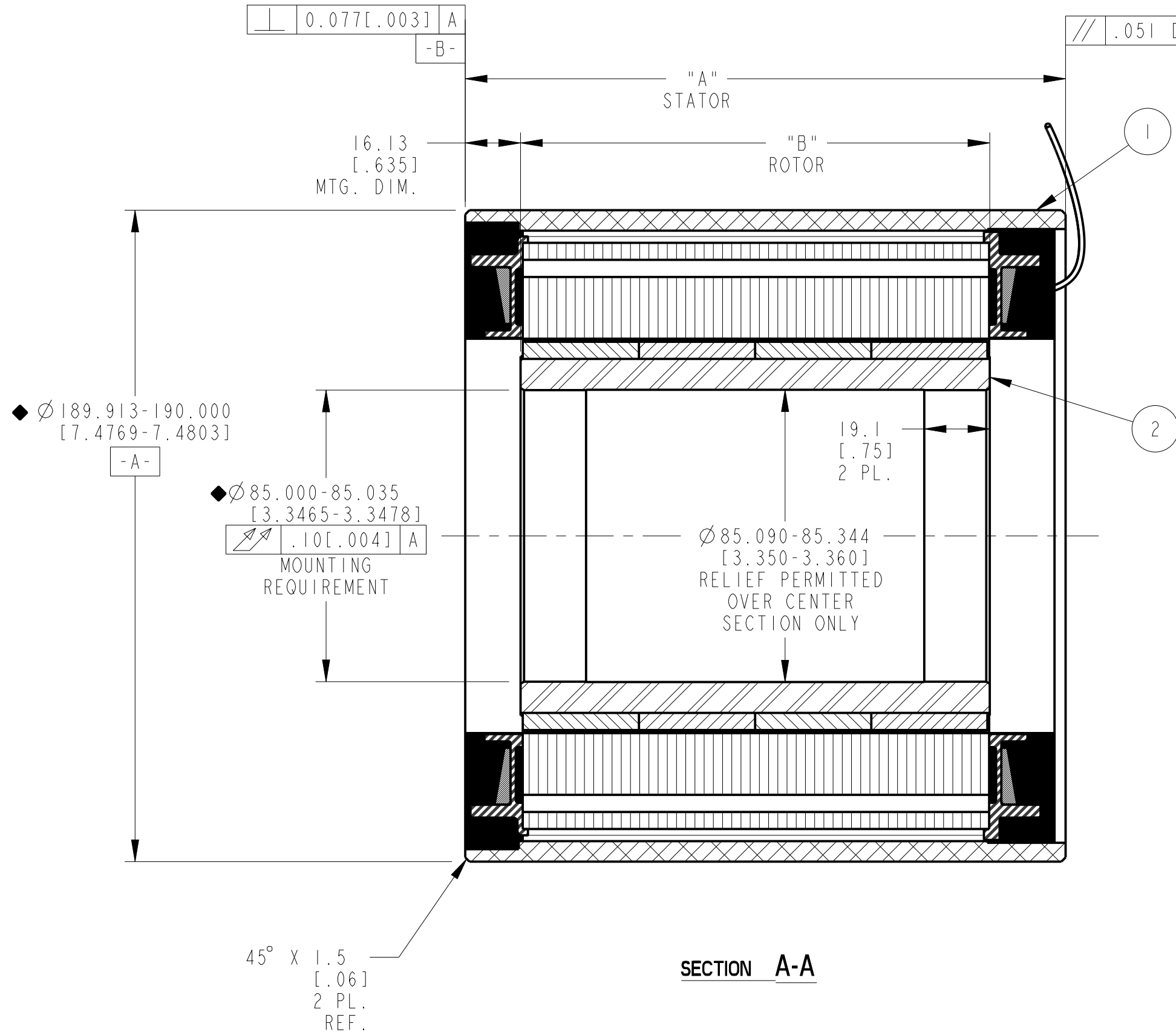


NOTES:
 1- MOTOR SUPPLIED AS TWO SEPERATE COMPONENTS, STATOR ASSEMBLY AND FIELD ASSEMBLY.
 2- FOR A C.C.W. ROTATION, AS VIEWED FROM LEAD END, ENERGIZE PER EXCITATION SEQUENCE TABLE.
 3- ROHS AND REACH COMPLIANCE REQUIRED IN ACCORDANCE WITH KOLLMORGEN PRODUCT ENVIRONMENTAL COMPLIANCE SPECIFICATION, 960303, IN ITS LATEST REVISION.

THERMISTOR LEADS:
 #26 AWG TEFLON COATED
 UL RATED 600V, 150°C MIN,
 400.00 [15.75"] MIN. LG.
 EACH 1-BLUE, 1-BLACK

MOTOR LEADS:
 #14 AWG TEFLON COATED PER
 UL 10086, 400.00 [15.75"] MIN. LG.
 EACH 1-BLUE, 1-BROWN, 1-VIOLET

REVISION				
REV	ECN NO.	DESCRIPTION	DATE	APPROVED
A	R01_14145	SEE ECO	L&T 20-Jan-11	LW
B	R01_15204	SEE ECO	L&T 13-Nov-12	LW
C	R01_15601	SEE ECO	ALM 8/12/13	KLR
D	R01_17048	SEE ECO	ALM 6/30/15	MAS



MODEL NUMBER	STATOR SEE BOM	FIELD ASSEMBLY	"A" DIM	"B" DIM
KBM-45X01	945905/01X	945903/01	107.06 [4.215]	69.04 [2.718]
KBM-45X02	945905/02X	945903/02	141.06 [5.554]	102.92 [4.052]
KBM-45X03	945905/03X	945903/03	175.05 [6.892]	136.81 [5.386]

STEP	PHASE "U" BLUE	PHASE "V" BROWN	PHASE "W" VIOLET
1	+	-	
2	+		-
3		+	-
4	-	+	
5	-		+
6		-	+

EXCITATION SEQUENCE TABLE

THIS DOCUMENT IS ONLY FOR USE BY THE INTENDED RECIPIENT AND CONTAINS KOLLMORGEN CONFIDENTIAL INFORMATION

Pro/E Instance Name	KBM_45XXX_945908
Pro/E Drawing Name	945908
Pro/E Model Type	ASSEM

Pro/Engineer Drawing

3	AR	IM-2709	MARKING PROCEDURE
2	I	SEE TABLE 1	FIELD ASSEMBLY
1	I	SEE TABLE 1	STATOR ASSEMBLY
ITEM	QTY	IDENTIFYING NO.	DESCRIPTION
LIST OF PARTS			
KOLLMORGEN		501 MAIN STREET RADFORD, VIRGINIA 24141	
OUTLINE AND ASSEMBLY KBM-45XXX-X00			
DO NOT SCALE DRAWING, USE DIMENSIONS ONLY ALL DIMENSIONS ARE IN MILLIMETERS DIMENSIONS IN BRACKETS [] ARE IN INCHES AND ARE FOR REFERENCE ONLY.		DRAWN BY: L&T CHECKED BY: LW APPROVED BY: AG	DATE: Jun-30-15 17-Sep-09 17-Sep-09
SIGNIFICANT PRODUCT CHARACTERISTIC CRITICAL PRODUCT CHARACTERISTIC		FSCM 11384 SIZE C DWG. NO. 945908	REV D SCALE: 3:4 JOB NO.: SHEET 1 OF 1

REV. NO. 945908