

PCMM, AKC-PCM-Mx





Installation Manual



Edition: C, February 2018

Valid for AKC-PCM-Mx (PCMM) Hardware Revision A

Part Number 903-300000-99

 English
  Deutsch
  Français
  Italiano
  Português
  Español
  Русский

Original Language is English. All other content is translated from the genuine English content.



Keep all manuals as a product component during the life span of the product. Pass all manuals to future users and owners of the product.	
Bewahren Sie alle Anleitungen während der gesamten Nutzungsdauer des Produkts als Produktkomponente auf. Händigen Sie alle Anleitungen künftigen Anwendern/Besitzern des Produkts aus.	Mantenha todos os manuais como um componente do produto durante a vida útil do produto. Passe todos os manuais para os futuros usuários e proprietários do produto.
Le manuel faisant partie intégrante du produit, conservez-le pendant toute la durée de vie du produit. Remettez le manuel au futur utilisateur ou propriétaire du produit.	Conserve el manual durante toda la vida útil del producto. Entregue el manual a posteriores usuarios o propietarios del producto.
Conservare il manuale per l'intera durata del prodotto. In caso di cambio di proprietà il manuale deve essere fornito al nuovo utilizzatore quale parte integrante del prodotto.	Сохраняйте все руководства как составную часть продукта в течение всего срока его эксплуатации. Передавайте руководство следующему пользователю или владельцу продукта.

KOLLMORGEN

Because Motion Matters™

Record of Document Revisions

Revision	Remarks
A, 03/2016	First edition
B, 07/2016	Unnecessary warning notes deleted, HWR A (UL certified), 24V supply current updated
C, 02/2018	Prohibited use section updated, X6/X32 LED mapping added, M2 version added

Contents

 English	(→ # 3)	 Português	(→ # 75)
 Deutsch	(→ # 21)	 Español	(→ # 93)
 Français	(→ # 39)	 Русский	(→ # 111)
 Italiano	(→ # 57)		
Appendix/Dimensions	(→ # 130)	Appendix/Faults and Warnings	(→ # 137)
Appendix/Connections	(→ # 131)	Appendix/Approvals	(→ # 138)

Hardware Revision (HR)

AKC-PCM	KAS SW	Remarks
-	-	Pilot series
A	from 2.10	Start revision, UL certified

Technical changes to improve the performance of the equipment may be made without prior notice!

All rights reserved. No part of this work may be reproduced in any form (by photocopying, microfilm or any other method) or stored, processed, copied or distributed by electronic means without the written permission of Kollmorgen.

Technische Änderungen, die der Verbesserung der Geräte dienen, vorbehalten!

Alle Rechte vorbehalten. Kein Teil des Werkes darf in irgendeiner Form (Fotokopie, Mikrofilm oder in einem anderen Verfahren) ohne schriftliche Genehmigung der Firma Kollmorgen reproduziert oder unter Verwendung elektronischer Systeme verarbeitet, vervielfältigt oder verbreitet werden.

Toutes modifications techniques concourant pour l'amélioration des appareils réservées !

Tous droits réservés. Aucune partie de l'ouvrage ne peut être reproduite sous quelque forme que ce soit (imprimée, photocopiée, microfilmée ou par un autre procédé) ou encore traitée, reproduite ou diffusée au moyen de systèmes électroniques sans autorisation écrite préalable de Kollmorgen.

Il produttore si riserva la facoltà di apportare modifiche tecniche volte al miglioramento degli apparecchi

Tutti i diritti riservati. Nessuna parte di questo documento può essere rielaborata, riprodotta in qualsiasi forma (fotocopia, microfilm o altro processo) o diffusa mediante l'uso di sistemi elettronici senza l'approvazione scritta della ditta Kollmorgen o rielaborata, riprodotta o diffusa mediante l'uso di sistemi elettronici.

Alterações técnicas que melhoram o desempenho do dispositivo podem ser feitos sem aviso prévio!

Todos os direitos reservados. Este documento é uma propriedade intelectual da Kollmorgen. Nenhuma parte deste trabalho pode ser reproduzida sob qualquer forma (por fotocópia, microfilme ou qualquer outro método) ou armazenado, processado, copiado ou distribuído por meios eletrônicos sem a permissão escrita da Kollmorgen.

Reservado el derecho de introducir modificaciones técnicas para la mejora de los equipos

Reservados todos los derechos. Prohibida la reproducción total o parcial de la presente obra por cualquier medio (fotocopia, microfilm u otros), así como su procesamiento, reproducción y divulgación por medio de sistemas electrónicos, sin expresa autorización escrita de la empresa Kollmorgen.

Сохраняется право вносить технические изменения, служащие для совершенствования устройств!

Все права защищены. Без письменного согласия фирмы Kollmorgen запрещается воспроизводить какие бы то ни было части данного руководства в любой форме (в печатной, в виде фотокопии, микрофильма или другим способом), а также обрабатывать, размножать или распространять их с использованием электронных систем.

1 English

1.1 General	4
1.1.1 Notes for the Printed Edition (paper version)	4
1.1.2 Symbols Used	4
1.1.3 Abbreviations Used	5
1.1.4 Standards Used	5
1.2 Safety	6
1.2.1 You should pay attention to this	6
1.2.2 Use as Directed	7
1.2.3 Prohibited Use	7
1.3 Handling	8
1.3.1 Transport	8
1.3.2 Packaging	8
1.3.3 Storage	8
1.3.4 Decommissioning	8
1.3.5 Maintenance and cleaning	9
1.3.6 Disassemble	9
1.3.7 System Repair	9
1.3.8 Disposal	10
1.4 Technical description and data	11
1.4.1 The PCMM Motion Controller	11
1.4.2 Package Supplied	11
1.4.3 Technical Data	12
1.5 Mechanical Installation	13
1.5.1 Important Notes	13
1.5.2 Guide to Mechanical Installation	13
1.6 Electrical Installation	14
1.6.1 Important Notes	14
1.6.2 Guide to electrical installation	14
1.6.3 Push-buttons (B2, B3)	15
1.6.4 SD Card Slot	16
1.6.5 Service Interface (X32)	17
1.6.6 Motion Bus Interface (X6)	18
1.6.7 Rotary Switch (RS1)	18
1.7 Setup	20
1.7.1 Important Notes	20
1.7.2 Setup with KAS IDE	20
1.8 Troubleshooting the PCMM	20

1.1 General

This manual, *PCMM Installation Manual*, presents the relevant information for safe installation and setup of the PCMM Motion Controller.

Additional documents include the following:

- **EtherCAT Communication** (PDF format):
Describes how to use your controller in EtherCAT applications.
- **Ethernet/IP Communication**: describes how to use your controller in Ethernet/IP applications.
- **KAS Online help** (WebHelp format):
Describes how to use your controller in common applications. It also provides tips for setup and maximizing your system performance. The online help includes the *Parameter and Command Reference Guide* which provides information for the parameters and commands used to program the motion system.

All documents are available from the KDN (<http://kdn.kollmorgen.com>) or Kollmorgen Website (<http://www.kollmorgen.com>).




1.1.1 Notes for the Printed Edition (paper version)

A printed version of the manual is enclosed with each product. For environmental reasons, the document was reduced in size and printed on DIN A5.

NOTE

Should you experience difficulties reading the font size of the scaled-down printed version, you can print and use the PDF version in DIN A4 format 1:1. You can find the PDF version on the DVD accompanying the product and on the Kollmorgen website.

1.1.2 Symbols Used

Symbol	Indication
 DANGER	Indicates a hazardous situation which, if not avoided, will result in death or serious injury.
 WARNING	Indicates a hazardous situation which, if not avoided, could result in death or serious injury.
 CAUTION	Indicates a hazardous situation which, if not avoided, could result in minor or moderate injury.
NOTICE	Indicates situations which, if not avoided, could result in property damage.
NOTE	This symbol indicates important notes.

1.1.3 Abbreviations Used

Abbreviation	Meaning
(→ # 53)	"see page 53" in this document
CE	Communauté Européenne
EMC	Electromagnetic compatibility
PC	Personal computer
PCMM	P rogrammable C ontroller M ulti-Axis M aster.
PE	Protective earth
RCD	Residual current device
SFF	Safe failure fraction
VAC	Volts, alternating current
VDC	Volts, direct current

1.1.4 Standards Used

Standard	Content
ISO 4762	Hexagon socket head cap screws
ISO 12100	Safety of machinery: Basic concepts, general principles for design
IEC 60085	Electrical insulation - Thermal evaluation and designation Maintenance
IEC 60204	Safety of Machinery: Electrical equipment of machinery
IEC 60364	Low-voltage electrical installations
IEC 60439	Low-Voltage Switchgear and Controlgear Assemblies
IEC 60529	International protection rating (IP code)
IEC 60721	Classification of environmental conditions
IEC 61000	Electromagnetic compatibility (EMC)
IEC 61131	Programmable controllers
IEC 61491	Electrical equipment of industrial machines – Serial data link for real-time communications between controls and drives.
IEC UL 61010-1	Safety requirements for electrical equipment for measurement, control, and laboratory use
IEC 82079	Preparation of instructions for use - Structuring, content and presentation

IEC - International Electrotechnical Commission

ISO - International Organization for Standardization

UL - Underwriters Laboratories

1.2 Safety

1.2.1 You should pay attention to this

Specialist staff required!

Only properly qualified personnel are permitted to perform such tasks as transport, assembly, setup and maintenance. Qualified specialist staff are persons who are familiar with the transport, installation, assembly, commissioning and operation of PCMM and who bring their relevant minimum qualifications to bear on their duties:

- Transport: only by personnel with knowledge of handling electrostatic sensitive components.
- Unpacking: only by electrically qualified personnel.
- Installation: only by electrically qualified personnel.
- Basic tests / Setup: only by qualified personnel with knowledge of electrical engineering and motion control technology

The qualified personnel must know and observe ISO 12100 / IEC 60364 / IEC 60664 and national accident prevention regulations.

Read the documentation!

Read the available documentation before installation and commissioning. Improper handling of the device can cause harm to people or damage to property. The operator of systems using the PCMM must ensure that all personnel who work with the motion system read and understand the manual before using the system.

Check Hardware Revision!

Check the Hardware Revision Number of the product (see product label). This number is the link between your product and the manual, it must match the Hardware Revision Number on the cover page of the manual.

Pay attention to the technical data!

Adhere to the technical data and the specifications on connection conditions (rating plate and documentation). If permissible voltage values or current values are exceeded, the PCMM can be damaged.

Perform a risk assessment!

The manufacturer of the machine must generate a risk assessment for the machine, and take appropriate measures to ensure that unforeseen movements cannot cause injury or damage to any person or property. Additional requirements on specialist staff may also result from the risk assessment.

Observe electrostatic sensitive components!

The PCMM contain electrostatic sensitive components which may be damaged by incorrect handling. Electrostatic discharge your body before touching the PCMM. Avoid contact with highly insulating materials (artificial fabrics, plastic film etc.). Place the PCMM on a conductive surface.

Never modify the products!

It is not allowed to modify the PCMM without permission by the manufacturer. Opening the housing causes loss of warranty.

1.2.2 Use as Directed

PCMMs are intended for controlling Kollmorgen drives in a motion system.

PCMMs are components that are built into electrical plants or machines and can only be operated as integral components of these plants or machines. The manufacturer of the machine used with a PCMM must generate a risk assessment for the machine.

When the PCMMs are built into machines or plant, the motion system must not be used until it has been established that the machine or plant fulfills the requirements of the regional directives.

Cabinet and wiring

PCMM must only be operated permanently connected in a closed control cabinet suitable for the ambient conditions (→ # 12). Ventilation or cooling may be necessary to keep the temperature within the cabinet below 55 °C.

Use only copper conductors for wiring. The conductor cross-sections can be derived from the standard IEC 60204 (alternatively for AWG cross-sections: NEC Table 310-16, 75 °C column).

Power supply

The PCMM can be supplied by 24V DC industrial supply networks.

1.2.3 Prohibited Use

Other use than that described in chapter “Use as directed” is not intended and can lead to personnel injuries and equipment damage. The PCMM may not be used with a machine that does not comply with appropriate national directives or standards. The use of the PCMM in the following environments is also prohibited:

- potentially explosive areas
- environments with corrosive and/or electrically conductive acids, alkaline solutions, oils, vapors, dusts

1.3 Handling

1.3.1 Transport

Transport the PCMM in accordance with IEC 61800-2 as follows:

- Transport only by qualified personnel in the manufacturer's original recyclable packaging. Avoid shocks while transporting.
- Store at or below maximum stacking height of 8 cartons.
- Transport only within specified temperature ranges: -25 to +70 °C, max. rate of change 20 K/hour, class 2K3.
- Transport only within specified humidity: max. 95% relative humidity, no condensation, class 2K3.

NOTICE

The PCMM contain electro-statically sensitive components that can be damaged by incorrect handling. Electro-statically discharge yourself before touching the PCMM. Avoid contact with highly insulating materials, such as artificial fabrics and plastic films. Place the PCMM on a conductive surface.

If the packaging is damaged, check the unit for visible damage. Inform the shipper and the manufacturer of any damage to the package or product.

1.3.2 Packaging

The PCMM packaging consists of recyclable cardboard with inserts and a label on the outside of the box.

Packaging dimension (HxWxL): 107 mm x 268 mm x 220 mm

Total weight: 1.2 kg

1.3.3 Storage

Store the PCMM in accordance with IEC 61800-2 as follows:

- Store only in the manufacturer's original recyclable packaging.
- Store at or below maximum stacking height of 8 cartons.
- Store only within specified temperature ranges: -25 to +55 °C, max. rate of change 20 K/hour, class 1K4.
- Storage only within specified humidity: 5 to 95% relative humidity, no condensation, class 1K3.

1.3.4 Decommissioning

NOTICE

Only professional staff who are qualified in electrical engineering are allowed to decommission parts of the system.

- Switch off the main switch of the switchgear cabinet.
- Secure the system against restarting.
- Block the main switch.

1.3.5 Maintenance and cleaning

The device does not require maintenance. Opening the device voids the warranty. The inside of the unit can only be cleaned by the manufacturer.

NOTICE

Do not immerse or spray the device. Avoid that liquid enters the device.

To clean the device exterior:

1. Decommission the device (see chapter 1.3.4 "Decommissioning").
2. Casing: Clean with isopropanol or similar cleaning solution.

Caution : Highly Flammable! Risk of injury by explosion and fire.

- Observe the safety notes given on the cleaning liquid package.
 - Wait at least 30 minutes after cleaning before putting the device back into operation.
3. Protective grill on fan: Clean with a dry brush.

1.3.6 Disassemble

NOTICE

Only professional staff who are qualified in electrical engineering are allowed to disassemble parts of the system.

1. Decommission the device (see chapter 1.3.4 "Decommissioning").
2. Remove the connectors. Disconnect the potential earth connection last.
3. Demount: loosen the fastening screws. Remove the device.

1.3.7 System Repair

NOTICE

Only professional staff who are qualified in electrical engineering are allowed to exchange parts of the drive system.

CAUTION: Automatic Start! During replacement work a combination of hazards and multiple episodes may occur.

- Work on the electrical installation may only be performed by trained and qualified personnel, in compliance with the regulations for safety at work, and only with use of prescribed personal safety equipment.

Exchange of PCMM

Only the manufacturer can repair the device. Opening the device voids the warranty.

1. Decommission the device (see chapter 1.3.4 "Decommissioning").
2. Demount the device (see chapter 1.3.6 "Disassemble").
3. Send the device to the manufacturer.
4. Install a new device as described in this manual.
5. Setup the system as described in this manual.

Exchange of other drive system parts

If parts of the drive system (for example cables) must be replaced, proceed as follows:

1. Decommission the device (see chapter 1.3.4 "Decommissioning").
2. Exchange the parts.
3. Check all connections for correct fastening.
4. Setup the system as described in this manual.

1.3.8 Disposal

NOTICE

To dispose the unit properly, contact a certified electronic scrap disposal merchant.

In accordance with the WEEE-2002/96/EC-Guidelines and similar, the manufacturer accepts returns of old devices and accessories for professional disposal. Transport costs are the responsibility of the sender.

Send the devices in the original packaging to the manufacturer address:

North America	South America
KOLLMORGEN 201 West Rock Road Radford, VA 24141, USA	KOLLMORGEN Avenida Tamboré - 1077 Tamboré Barueri - SP Brasil CEP: 06460-000, Brazil
Europe	Asia
KOLLMORGEN Europe GmbH Pempelfurtstr. 1 40880 Ratingen, Germany	KOLLMORGEN Floor 4, Building 9, No. 518, North Fuquan Road, Changning District, Shanghai 200335, China

1.4 Technical description and data

1.4.1 The PCMM Motion Controller

PCMM means **P**rogrammable **C**ontroller **M**ulti-Axis **M**aster. The controller Includes programmable motion control using PLCOpen or PipeNetwork motion engines and PLC with all 5 IEC 61131 languages.

EtherCAT connects the PCMM to other components in the drive system.

1.4.2 Package Supplied

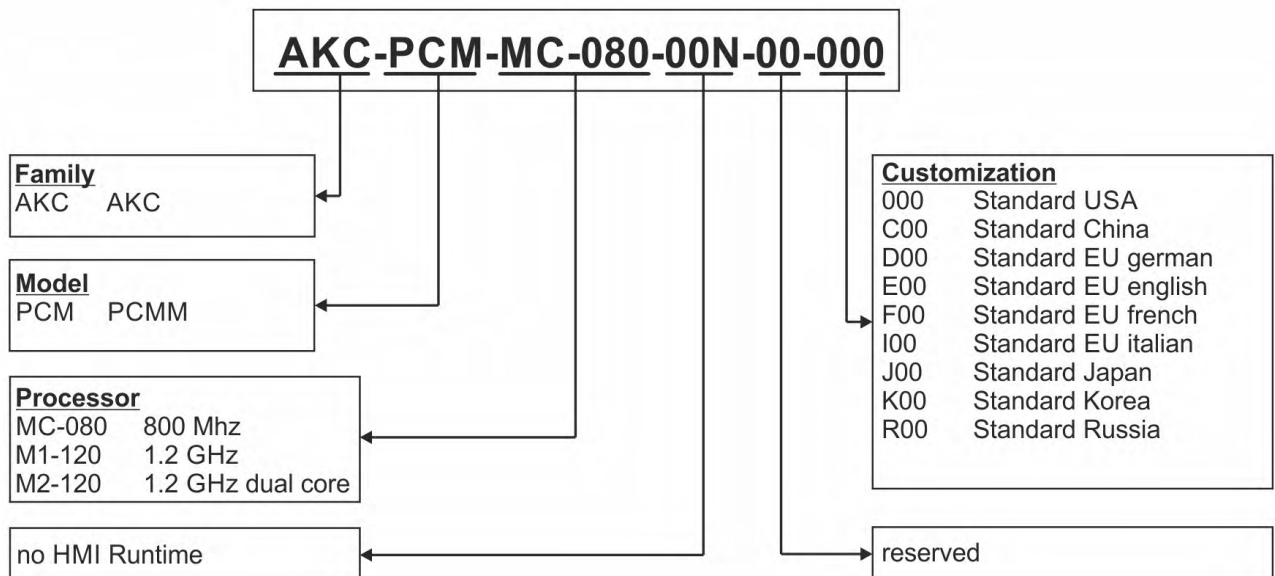
When a PCMM controller is ordered, the following items are included in the package:

- PCMM
- Printed copy of *PCMM Installation Manual*
- Mating connectors X1, X35 and X36

NOTE

The mating SubD and RJ45 connectors are not included in the package.

Part Number Scheme



1.4.3 Technical Data

Rated Data

Electrical Data	Units	PCMM
Rated supply voltage	V DC	24 V ±10% see (→ # 133)
Rated input current	A	1.25
Rated input power	W	30
Permitted switch on/off frequency	1/h	30
Mechanical data		
Weight	kg	0.45
Dimensions (HxWxD)	mm	174 x 50 x 111.5 see (→ # 130)
Dimensions (HxWxD) with connectors	mm	208 x 50 x 147.5 see (→ # 130)
Recommended Tightening Torques		
X1, X35, X36	Nm (in-lbf)	0.2 to 0.25 (2)
PE block	Nm (in-lbf)	1.7 (15)

Fusing

Circuit	Max. Ampere rating	Example class J Cooper Bussmann	Example class J Ferraz Shawmut
24 V DC supply	8A (Time-Delay)	LPJ8SP/DFJ8	AJT8

Inputs/Outputs

Interface	Electrical Data
Digital inputs see (→ # 135)	<ul style="list-style-type: none"> ● ON: 3.5 VDC to 30 VDC, 2 mA to 15 mA ● OFF: -2 VDC to 2 VDC, max. 15 mA ● Galvanic isolation for 250 VDC ● Update rate: Software 250 µs ● Source or Sink type
Digital outputs see (→ # 136)	<ul style="list-style-type: none"> ● Max. 30 VDC, 100 mA ● Short circuit proof ● Galvanic isolation for 250 VDC ● Update rate: 1 ms ● Active low or active high

Ambient Conditions, Ventilation, and Mounting Position

Storage, Transport	(→ # 8)
Ambient temperature in operation	0 to +55° C under rated conditions
Humidity in operation	Relative humidity 5 to 85%, no condensation, class 3K3 according to IEC 60721-3-3
Site altitude	Up to 2500 meters above mean sea level without restriction
Pollution level	Pollution level 2 as per IEC 61010-1
Vibrations	Class 3M1 according to IEC 60721-3-3
Enclosure protection	IP 20 according to IEC 60529
Mounting position	Vertical
Ventilation	Free convection

1.5 Mechanical Installation

NOTE

Dimensions overview see (→ # 130).

1.5.1 Important Notes

NOTICE

Protect the PCMM from impermissible stresses. In particular, do not let any components become bent or any insulation distances altered during transport and handling. Avoid contact with electronic components and contacts.

NOTICE

The PCMM will switch itself off in case of overheating. Ensure that there is an adequate flow of cool, filtered air into the bottom of the control cabinet, or use a heat exchanger.

NOTICE

Do not mount devices that produce magnetic fields directly beside the PCMM. Strong magnetic fields can directly affect internal components. Install devices which produce magnetic field with distance to the PCMM and/or shield the magnetic fields.

1.5.2 Guide to Mechanical Installation

The following tools are required (at a minimum) to install the PCMM; your specific installation may require additional tools:

- M4 hexagon socket-cap screws (ISO 4762)
- 3 mm T-handle Allen key
- No. 2 Phillips head screwdriver
- Small slotted screwdriver

Install the PCMM unit as follows:

1. Prepare the site.
Mount the PCMM in a closed control cabinet. The site must be free from conductive or corrosive materials.
2. Check ventilation.
Check that the ventilation of the PCMM is unimpeded, and keep within the permitted ambient temperature (→ # 12). Keep the required space clearance above and below the PCMM.
3. Check cooling system.
If cooling systems are used for the control cabinet, position the cooling system so that condensation water cannot drip onto the PCMM or peripheral devices.
4. Mount the PCMM.
Assemble the PCMM and power supply near each other on the conductive, grounded mounting plate in the cabinet.
5. Ground the PCMM.
Ground the mounting plate, PCMM housing and CNC-GND of the control system.

1.6 Electrical Installation

NOTE

For connector overview and I/O connection (→ # 131).

1.6.1 Important Notes

NOTICE

Only professional staff who are qualified in electrical engineering are allowed to install the controller. Wires with color green with one or more yellow stripes must not be used other than for protective earth (PE) wiring.

NOTICE

Excessively high external fusing will endanger cables and devices. The fusing of the 24 V supply must be installed by the user, best values (→ # 12).

NOTE

It is permissible to use the setup software (KAS IDE) to alter the device settings. Any other alterations will invalidate the warranty.

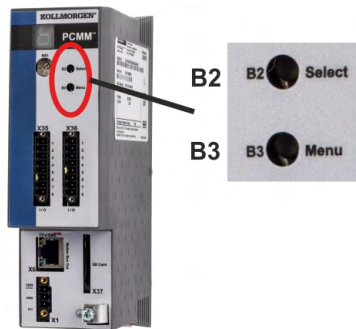
1.6.2 Guide to electrical installation

Install the PCMM electrical system as follows:

1. Select cables in accordance with IEC 60204 .
2. Install shielding and ground the PCMM.
Ground the mounting plate and CNC-GND of the control system.
3. Connect all interfaces according to the wiring diagrams in (→ # 131).

1.6.3 Push-buttons (B2, B3)

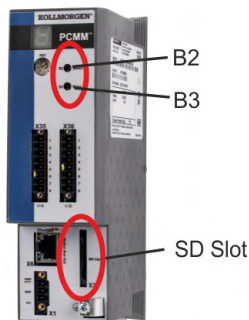
The push-buttons can be used to start predefined functions.



Function	Push-button	Remarks
Boot-time functions (press and hold button during power-on boot sequence)		
Recovery Mode	B2	Press and hold to boot into recovery mode.
Menu	B3	Press and hold to block the application auto-start and to start cycling through the menu items.
Operational functions (press button during normal operation mode)		
Menu	B3	Press to cycle through the menu items. The menu items will displayed on the 7-segment LED repeatedly for 10 s and can be selected by pressing B2.
Select Menu Item	B2	Press while the required menu item is displayed to perform action. Application is running , available menu items: <ul style="list-style-type: none"> • 'IP' address • 'stop' application (confirm) No application is running , available menu items: <ul style="list-style-type: none"> • 'IP' address • 'start' application (confirm) • 'reset' to defaults (confirm) • 'backup' to SD card (confirm) • 'restore' from SD card (confirm)
Confirm	B2	If the selected menu item selection requires a confirmation, "y" is displayed for 10 s - press B2 to confirm.

1.6.4 SD Card Slot

PCMM offers a SD card slot and push-buttons B2 and B3 to activate file transfers from/to the PCMM and SD Memory Card. These features can be started from the KAS IDE software as well. Detailed description can be found in the KAS Online Help.



The backup/restore operations (PCMM to SD or SD to PCMM) will not be possible if an application is running.

NOTE

Stop the application from the web-browser or use the B2/B3 “stop” action before initiating any SD card functionality.

If a fault occurs during save/load operations, the fault number is displayed in the one digit display with E followed by two digits. Error codes (→ # 137) .

Supported SD card types

SD cards are preformatted by the manufacturer. The following table outlines the SD card types and PCMM support.

SD Type	File System	Capacity	Supported
SD (SDSC)	FAT16	1MB to 2GB	YES
SDHC	FAT32	4GB to 32GB	YES
SDXC	exFAT (Microsoft)	>32GB to 2TB	NO

Features

If an SD card is plugged into the SD slot and no application program is running, the push-button menu (started with B3) shows the possible data transfer functions:

- 'backup' to copy firmware, configurations, user application, and user data files from the PCMM to SD card.
- 'restore' to load firmware, configuration, user application, and user data files from SD card to PCMM.

1.6.5 Service Interface (X32)

Operating, position control, and motion-block parameters can be set up by using the setup software on an ordinary commercial PC.



Pin	Signal	Pin	Signal
1	Transmit +	5	n.c.
2	Transmit -	6	Receive-
3	Receive+	7	n.c.
4	n.c.	8	n.c.

Protocol	Type
Modbus TCP	Service Bus
Ethernet TCP/IP	Service Bus

Connect the service interface (X32) of the PCMM to an Ethernet interface on the PC directly or via a network hub/switch, **while the supply to the equipment is switched off**. Use standard Cat. 5 Ethernet cables for connection (in some cases crossover cables will also work).

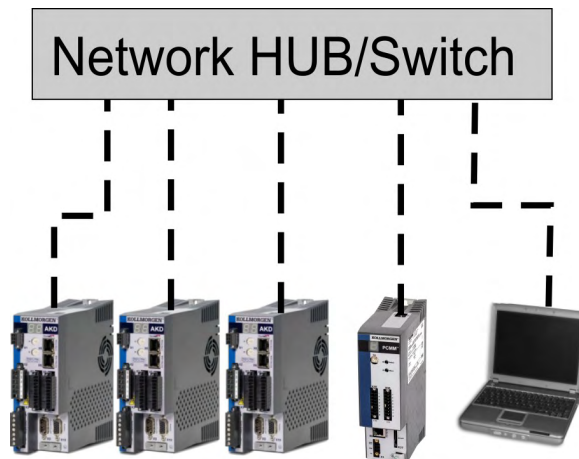
NOTICE

Do not connect the motion bus cable to the service interface X32. The motion bus cable must be connected to X6.

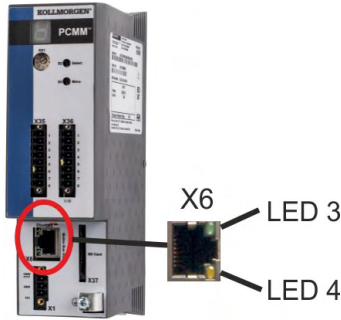
Confirm that the link LED on the PCMM (the green LED on the RJ45 connector) and on your PC (or network Hub/Switch) are both illuminated. If both lights are illuminated, then you have a good electrical connection.

Connector	LED#	Color	Name	Indication
X32	LED1	Green	Link	On = receive signal valid
	LED2	Yellow	Activity	Blink = Transmit or Receive packet

Possible Network Configurations



1.6.6 Motion Bus Interface (X6)



Pin	Signal
1	Receive+
2	Receive-
3	Transmit +
4, 5	n.c.
6	Transmit -
7, 8	n.c.

NOTICE

Do not connect the Ethernet service cable for the PC to the motion bus interface X6. The Ethernet service cable must be connected to X32.

Connector	LED#	Color	Name	Indication
X6	LED3	Green	Link	On = receive signal valid
	LED4	Yellow	Activity	Blink = Transmit or Receive packet

1.6.7 Rotary Switch (RS1)

You can use the rotary switch RS1 to set the IP address of the PCMM. The configured IP address (depending on the current rotary switch RS1 position) will be displayed on the 7 segment at Ethernet cable connection time and at power-on, if an Ethernet cable is connected. If no Ethernet cable is connected, no IP address will be indicated in the display.



Rotary Switch Setting	PCMM IP Address
0	DHCP/AutoIP address. The IP address of the device is obtained from the DHCP server on your network. If no DHCP server is found the IP addresses is an AutoIP address (it is internally generated following the AutoIP protocol and will be of the form 169.254.xx.xx).
1	Static IP Address. The IP address is software configurable from a web-browser. The default IP address at switch position 1 is 192.168.1.101. To configure the IP address, open a web browser and type the IP address in the URL box. The PCMM web page will appear. Navigate to the Settings tab and then the Network tab to configure the static IP address for the PCMM.
2 to 9	Static IP Address. The IP address is 192.168.0.10n, where n is the number from the rotary switch. This setting generates addresses in a range from 192.168.0.102 to 192.168.0.109. Example:if RS1 is set to 5 – the IP address is 192.168.0.105

NOTE

The PC subnet mask must be set to 255.255.255.0 or 255.255.255.128

Static IP addressing

When connecting the PCMM directly to a PC, static IP addressing must be used. Set rotary switch RS1 to a number from 2 to 9 (see table above)

Dynamic IP addressing (DHCP and Auto-IP)

With RS1 set to 0, the PCMM is in DHCP mode. The PCMM will acquire its IP address from an external DHCP server if present in the network. If a DHCP server is not present, the device will assume an Automatic Private IP Address of the form 169.254.x.x.

If your PC is directly connected to the device, and set to obtain an IP address automatically in the TCP/IP settings, a connection will be established with both devices using compatible automatic generated addresses. It can take up to 60 seconds for a PC to configure an Automatic Private IP Address (169.254.x.x).

Changing the IP address

If the switch is altered while 24 V Logic power is supplied to the PCMM, you must switch off and then switch on again the 24 V supply voltage. This action will reset the address.

1.7 Setup

1.7.1 Important Notes

NOTICE

Before testing and setup, the manufacturer of the machine must generate a risk assessment for the machine and take appropriate measures so that unforeseen movements cannot cause injury or damage to any person or property.

NOTICE

Only professional personnel with extensive knowledge in the fields of electrical engineering and drive technology are allowed to test and set up the device.

NOTICE

Sets of data that have been stored on data media are not safe against unintended alteration by other persons. Unexpected move could be the result if you use unchecked data. After loading a set of data you must therefore always check all parameters before enabling the device.

1.7.2 Setup with KAS IDE

The controller and drives must be adapted to the requirements of your machine. For most applications, you can use a PC and KAS IDE software ("Kollmorgen Automation Suite Integrated development environment) to set up the operating conditions and parameters for your motion system. The PC is connected to the PCMM by an Ethernet cable.

The KAS IDE integrated development environment contains tools for configuring the Ether-CAT Network, setup and tuning Kollmorgen drives, creating a PLC program, and creating an HMI.

The KAS IDE is available by DVD or electronic delivery. Please contact your Kollmorgen sales representative for information. The PCMM Runtime is available from the KDN (<http://kdn.kollmorgen.com>) or Kollmorgen Website (<http://www.kollmorgen.com>).

Kollmorgen offers training and familiarization courses.

NOTE

See "*KAS getting started*" guide for proceeding with setup.

1.8 Troubleshooting the PCMM

Motion Controller problems occur for a variety of reasons, depending on the conditions in your installation. The causes of faults in multi-axis systems can be especially complex. If you cannot resolve a fault or other issue using the troubleshooting guidance presented below, customer support can give you further assistance.

NOTE

The most common faults are listed in Chapter "Fault and Warning Messages" (→ # 137). More details on the removal of faults can be found in the online help.

2 Deutsch

2.1 Allgemeines	22
2.1.1 Hinweise für die gedruckte Ausgabe (Papierversion)	22
2.1.2 Verwendete Symbole	22
2.1.3 Verwendete Abkürzungen	23
2.1.4 Verwendete Normen	23
2.2 Sicherheit	24
2.2.1 Das sollten Sie beachten	24
2.2.2 Bestimmungsgemäße Verwendung	25
2.2.3 Nicht bestimmungsgemäße Verwendung	25
2.3 Handhabung	26
2.3.1 Transport	26
2.3.2 Verpackung	26
2.3.3 Lagerung	26
2.3.4 Außer Betrieb nehmen	26
2.3.5 Wartung und Reinigung	27
2.3.6 Demontage	27
2.3.7 System Reparatur	27
2.3.8 Entsorgung	28
2.4 Technische Beschreibung und Daten	29
2.4.1 Der PCMM Motion Controller	29
2.4.2 Lieferumfang	29
2.4.3 Technische Daten	30
2.5 Mechanische Installation	31
2.5.1 Wichtige Hinweise	31
2.5.2 Leitfaden zur mechanischen Installation	31
2.6 Elektrische Installation	32
2.6.1 Wichtige Hinweise	32
2.6.2 Leitfaden für die elektrische Installation	32
2.6.3 Taster (B2, B3)	33
2.6.4 SD-Speicherkarte	34
2.6.5 Serviceschnittstelle (X32)	35
2.6.6 Motion-Bus-Schnittstelle (X6)	36
2.6.7 Drehschalter (RS1)	36
2.7 Inbetriebnahme	38
2.7.1 Wichtige Hinweise	38
2.7.2 Inbetriebnahme mit KAS IDE	38
2.8 Fehlersuche und -behebung beim PCMM	38

2.1 Allgemeines

Dieses Handbuch, der *PCMM Installation Manual*, beschreibt die sichere Installation und Inbetriebnahme des PCMM Motion Controllers.

Weiterführende Dokumente:

- **EtherCAT-Kommunikation** (PDF-Format):
Beschreibt, wie Sie Ihren Controller in EtherCAT-Anwendungen verwenden.
- **Ethernet/IP-Kommunikation**: Beschreibt, wie Sie Ihren Controller in Ethernet/IP-Anwendungen verwenden.
- **KAS Onlinehilfe** (WebHelp-Format):
Beschreibt, wie Sie Ihren Controller in allgemeinen Anwendungen verwenden. Die Onlinehilfe bietet Ihnen auch Tipps für die Inbetriebnahme und zur Optimierung der Systemleistung. Die Onlinehilfe umfasst das *Referenzhandbuch für Parameter und Befehle* mit Informationen zu den Parametern und Befehlen, die für die Programmierung des Antriebssystems verwendet werden.

Alle Dokumente sind über das KDN (<http://kdn.kollmorgen.com>) oder die Kollmorgen Website (<http://www.kollmorgen.com>) erhältlich.




2.1.1 Hinweise für die gedruckte Ausgabe (Papierversion)

Jedem Produkt liegt eine gedruckte Ausgabe dieses Handbuchs bei. Aus ökologischen Gründen wurde das Dokument verkleinert auf DIN A5 gedruckt.

INFO

Sollten Sie Schwierigkeiten haben, die Schriftgröße des verkleinert gedruckten Exemplars zu lesen, können Sie die PDF Version im DIN A4 Format 1:1 ausdrucken und verwenden. Sie finden die PDF Version auf der dem Produkt beiliegenden DVD und auf der Kollmorgen Internetseite.

2.1.2 Verwendete Symbole

Symbol	Bedeutung
 GEFAHR	Weist auf eine gefährliche Situation hin, die, wenn sie nicht vermieden wird, zum Tode oder zu schweren, irreversiblen Verletzungen führen wird.
 WARNUNG	Weist auf eine gefährliche Situation hin, die, wenn sie nicht vermieden wird, zum Tode oder zu schweren, irreversiblen Verletzungen führen kann.
 VORSICHT	Weist auf eine gefährliche Situation hin, die, wenn sie nicht vermieden wird, zu leichten Verletzungen führen kann.
ACHTUNG	Dieses Symbol weist auf eine Situation hin, die, wenn sie nicht vermieden wird, zu Beschädigung von Sachen führen kann.
INFO	Dieses Symbol weist auf wichtige Informationen hin.

2.1.3 Verwendete Abkürzungen

Abkürzung	Bedeutung
(→ # 53)	„siehe Seite 53“ in diesem Dokument
CE	Europäische Gemeinschaft
EMV	Elektromagnetische Verträglichkeit
PC	Personal Computer
PCMM	P rogrammable C ontroller M ulti-Axis M aster.
PE	Schutzerde
RCD	Fehlerstromschutzschalter (FI-Schalter)
SFF	Anteil sicherer Ausfälle
VAC	Volt, Wechselspannung
VDC	Volt, Gleichspannung

2.1.4 Verwendete Normen

Norm	Inhalt
EN 4762	Zylinderschrauben mit Innensechskant
EN 12100	Sicherheit von Maschinen: Grundbegriffe, allgemeine Gestaltungsleitsätze
EN 60085	Elektrische Isolierung – Thermische Bewertung und Bezeichnung
EN 60204	Sicherheit von Maschinen: Elektrische Ausrüstung von Maschinen
IEC 60364	Errichten von Niederspannungsanlagen
EN 60439	Niederspannungs-Schaltgerätekombinationen
EN 60529	Schutzarten durch Gehäuse (IP-Code)
EN 60721	Klassifizierung von Umweltbedingungen
EN 61000	Elektromagnetische Verträglichkeit (EMV)
EN 61131	Speicherprogrammierbare Steuerungen
EN 61491	Ausrüstung von Industriemaschinen – Serielle Datenverbindung für Echtzeit-Kommunikation zwischen Steuerungen und Antrieben.
IEC UL 61010-1	Sicherheitsbestimmungen für elektrische Mess-, Steuer-, Regel- und Laborgeräte
EN 82079	Erstellen von Anleitungen – Gliederung, Inhalt und Darstellung

IEC – International Electrotechnical Commission

ISO – International Organization for Standardization

UL – Underwriters Laboratories

2.2 Sicherheit

2.2.1 Das sollten Sie beachten

Fachpersonal erforderlich

Nur qualifiziertes Fachpersonal darf Arbeiten wie Transport, Montage, Inbetriebnahme und Instandhaltung ausführen. Qualifiziertes Fachpersonal sind Personen, die mit Transport, Aufstellung, Montage, Inbetriebnahme und Betrieb des PCMM vertraut sind und über die erforderlichen Mindestqualifikationen für ihre Aufgabe verfügen:

- Transport: nur durch Personal mit Kenntnissen in der Behandlung elektrostatisch gefährdeter Bauelemente
- Auspacken: nur durch Fachleute mit elektrotechnischer Ausbildung
- Installation: nur durch Fachleute mit elektrotechnischer Ausbildung
- Einrichtung/Inbetriebnahme: nur durch Fachleute mit weitreichenden Kenntnissen in den Bereichen Elektrotechnik/Antriebstechnik

Das Fachpersonal muss ebenfalls die ISO 12100 / IEC 60364 / IEC 60664 und nationale Unfallverhütungsvorschriften kennen und beachten.

Dokumentation lesen

Lesen Sie vor der Montage und Inbetriebnahme die vorliegende Dokumentation. Falsches Handhaben des Gerätes kann zu Personen- oder Sachschäden führen. Der Betreiber muss daher sicherstellen, dass alle mit Arbeiten am PCMM betrauten Personen das Handbuch vor Verwendung des Systems gelesen und verstanden haben.

Hardware-Revision prüfen

Prüfen Sie die Hardware-Revisionsnummer des Produkts (siehe Typenschild). Diese Nummer ordnet Ihr Produkt dem Handbuch zu und muss mit der Hardware-Revisionsnummer auf der Titelseite des Handbuchs übereinstimmen.

Technische Daten beachten

Beachten Sie die technischen Daten und die Angaben zu den Anschlussbedingungen (Typenschild und Dokumentation). Wenn zulässige Spannungswerte oder Stromwerte überschritten werden, kann der PCMM beschädigt werden.

Risikobeurteilung durchführen

Der Maschinenhersteller muss eine Risikobeurteilung für die Maschine erstellen und geeignete Maßnahmen dafür treffen, dass unvorhergesehene Bewegungen nicht zu Sach- oder Personenschäden führen können. Aus der Risikobeurteilung leiten sich eventuell auch zusätzliche Anforderungen an das Fachpersonal ab.

Elektrostatisch empfindliche Bauteile

Die PCMMs enthalten elektrostatisch gefährdete Bauelemente, die durch unsachgemäße Behandlung beschädigt werden können. Entladen Sie Ihren Körper, bevor Sie den PCMM berühren. Vermeiden Sie den Kontakt mit hochisolierenden Stoffen (Kunstfaser, Kunststofffolien usw.). Legen Sie den PCMM auf eine leitfähige Unterlage.

Geräte nicht verändern

Veränderungen am PCMM ohne Genehmigung des Herstellers sind nicht zulässig. Durch Öffnen der Geräte erlischt die Gewährleistung.

2.2.2 Bestimmungsgemäße Verwendung

PCMMs werden zur Steuerung von Kollmorgen Servoverstärkern in einem Servoantriebssystem verwendet.

PCMMs werden als Komponenten in elektrische Anlagen oder Maschinen eingebaut und dürfen nur als integrierte Komponenten der Anlage in Betrieb genommen werden. Der Hersteller der mit dem PCMM verwendeten Maschine muss eine Risikobeurteilung für die Maschine erstellen und geeignete Maßnahmen dafür treffen, dass unvorhergesehene Bewegungen nicht zu Sach- oder Personenschäden führen können.

Wenn PCMMs in Maschinen oder Anlagen eingebaut werden, darf das Antriebssystem nicht verwendet werden, bis sichergestellt wurde, dass die Maschine oder Anlage die Anforderungen der geltenden Richtlinien erfüllt.

Einbau und Verdrahtung

Sie dürfen PCMMs nur fest angeschlossen im geschlossenen Schaltschrank unter geeigneten Umgebungsbedingungen betreiben (→ # 30). Um die Temperatur im Schaltschrank unter 55 °C zu halten, kann Belüftung oder Kühlung erforderlich sein.

Verwenden Sie für die Verdrahtung ausschließlich Kupferleiter. Der Leiterquerschnitt kann von der Norm EN 60204 abgeleitet werden (alternativ für AWG-Leiterquerschnitte: NEC-Tabelle 310-16, Spalte 75 °C).

Spannungsversorgung

Der PCMM kann an 24-V-Gleichstrom-Industriernetzen angeschlossen werden.

2.2.3 Nicht bestimmungsgemäße Verwendung

Eine andere Verwendung als in Kapitel „Bestimmungsgemäße Verwendung“ beschrieben ist nicht bestimmungsgemäß und kann zu Schäden bei Personen, Gerät oder Sachen führen. Der PCMM darf nicht mit Maschinen betrieben werden, die nicht den geltenden nationalen Richtlinien oder Normen entsprechen. Der Betrieb des PCMM in folgenden Umgebungen ist verboten:

- explosionsgefährdete Bereiche
- Umgebungen mit korrosiven und/oder elektrisch leitenden Säuren, Alkali-Lösungen, Ölen, Dämpfen und Staub

2.3 Handhabung

2.3.1 Transport

Transportieren Sie den PCMM gemäß EN 61800-2 wie folgt:

- Transport nur in der recycelbaren Originalverpackung des Herstellers durch qualifiziertes Personal. Beim Transport Stöße vermeiden.
- Höchstens mit der maximalen Stapelhöhe (8 Kartons) stapeln.
- Temperatur beim Transport:
-25 bis +70 °C, max. Änderungsrate 20 K/Stunde, Klasse 2K3.
- Feuchtigkeit beim Transport:
max. 95 % relative Luftfeuchtigkeit, ohne Betauung, Klasse 2K3.

ACHTUNG

Die PCMM enthalten elektrostatisch gefährdete Bauelemente, die durch unsachgemäße Behandlung beschädigt werden können. Entladen Sie Ihren Körper, bevor Sie den PCMM berühren. Vermeiden Sie den Kontakt mit hochisolierenden Stoffen (Kunstfaser, Kunststofffolien usw.). Legen Sie den PCMM auf eine leitfähige Unterlage.

Wenn die Verpackung beschädigt ist, prüfen Sie das Gerät auf sichtbare Schäden. Informieren Sie den Spediteur und den Hersteller über jegliche Schäden an der Verpackung oder am Produkt.

2.3.2 Verpackung

Die Verpackung des PCMM besteht aus recycelbarem Karton mit Einlagen und einem Aufkleber auf der Außenseite.

Verpackungsmaße (H x B x T): 107 mm x 268 mm x 220 mm

Gesamtgewicht: 1,2 kg

2.3.3 Lagerung

Lagern Sie den PCMM gemäß EN 61800-2 wie folgt:

- Lagerung nur in der recycelbaren Originalverpackung des Herstellers.
- Höchstens mit der maximalen Stapelhöhe (8 Kartons) stapeln.
- Temperatur bei Lagerung: -25 bis +55 °C, max. Änderungsrate 20 K/Stunde, Klasse 1K4.
- Feuchtigkeit bei Lagerung: 5 bis 95 % relative Luftfeuchtigkeit, ohne Betauung, Klasse 1K3.

2.3.4 Außer Betrieb nehmen

ACHTUNG

Nur Fachpersonal mit Kenntnissen im Bereich der Elektrotechnik darf Systemkomponenten außer Betrieb nehmen.

- Schalten Sie den Hauptschalter des Schaltschranks aus.
- Sichern Sie das System gegen Wiedereinschalten.
- Blockieren Sie den Hauptschalter .

2.3.5 Wartung und Reinigung

Das Gerät ist wartungsfrei. Wenn das Gerät geöffnet wird, erlischt die Garantie. Das Innere des Geräts kann nur vom Hersteller gereinigt werden.

ACHTUNG

Das Gerät nicht in Flüssigkeiten tauchen oder besprühen. Vermeiden Sie, dass Flüssigkeit in das Gerät eindringt

So reinigen Sie das Gerät von außen:

1. Nehmen Sie das Gerät außer Betrieb (siehe Kapitel 2.3.4 "Außer Betrieb nehmen").
2. Gehäuse: Mit Isopropanol oder einer ähnlichen Reinigungslösung reinigen.
VORSICHT : Leicht Entflammbar! Gefahr von Verletzung durch Verpuffung und Feuer.
 - Beachten Sie die Sicherheitshinweise auf der Verpackung des Reinigungsmittels.
 - Warten Sie nach der Reinigung mindestens 30 Minuten, bevor Sie das Gerät wieder in Betrieb nehmen.
3. Schutzgitter am Lüfter: Mit einer trockenen Bürste reinigen.

2.3.6 Demontage

ACHTUNG

Nur Fachpersonal mit Kenntnissen im Bereich der Elektrotechnik darf Systemkomponenten demontieren.

1. Nehmen Sie das Gerät außer Betrieb (siehe Kapitel 2.3.4 "Außer Betrieb nehmen").
2. Entfernen Sie die Stecker. Trennen Sie den PE Anschluss zuletzt.
3. Ausbauen: Lösen Sie die Befestigungsschrauben und entfernen Sie das Gerät.

2.3.7 System Reparatur

ACHTUNG

Nur Fachpersonal mit Kenntnissen im Bereich der Elektrotechnik darf Systemkomponenten austauschen.

VORSICHT: Unerwarteter Anlauf! Bei der Durchführung von Austauscharbeiten kann es zur Kombination von Gefährdungen und multiplen Folgen kommen.

- Arbeiten sind nur unter Beachtung der Vorschriften für Arbeitssicherheit, durch geschultes Personal und mit Benutzung der jeweils vorgeschriebenen persönlichen Schutzausrüstung zulässig.

Austausch PCMM

Nur der Hersteller kann das Gerät reparieren. Öffnen des Gerätes bedeutet Verlust der Gewährleistung.

1. Nehmen Sie das Gerät außer Betrieb (siehe Kapitel 2.3.4 "Außer Betrieb nehmen").
2. Demontieren Sie das Gerät (siehe Kapitel 2.3.6 "Demontage").
3. Senden Sie das Gerät an den Hersteller.
4. Installieren Sie ein neues Gerät wie in diesem Handbuch beschrieben.
5. Nehmen Sie das System in Betrieb, wie in diesem Handbuch beschrieben.

Austausch sonstiger Teile des Antriebssystems

Wenn Teile des Antriebssystems ausgetauscht werden müssen (zum Beispiel Kabel), gehen Sie wie folgt vor:

1. Nehmen Sie das Gerät außer Betrieb (siehe Kapitel 2.3.4 "Außer Betrieb nehmen").
2. Tauschen Sie die Teile aus.
3. Prüfen Sie alle Steckverbindungen auf korrekten Sitz.
4. Nehmen Sie das System in Betrieb, wie in diesem Handbuch beschrieben.

2.3.8 Entsorgung

ACHTUNG

Für die fachgerechte Entsorgung des Gerätes wenden Sie sich an einen zertifizierten Elektronikschrottverwerter.

Gemäß den WEEE-2002/96/EG-Richtlinien u.ä. nimmt der Hersteller Altgeräte und Zubehör zur fachgerechten Entsorgung zurück. Die Transportkosten muss der Versender tragen.

Senden Sie die Geräte in der Originalverpackung an die in der folgenden Tabelle aufgeführten Herstelleradressen.

Nordamerika	Südamerika
KOLLMORGEN 201 West Rock Road Radford, VA 24141, USA	KOLLMORGEN Avenida Tamboré - 1077 Tamboré Barueri - SP Brasil CEP: 06460-000, Brazil
Europa	Asien
KOLLMORGEN Europe GmbH Pempelfurtstr. 1 40880 Ratingen, Germany	KOLLMORGEN Floor 4, Building 9, No. 518, North Fuquan Road, Changning District, Shanghai 200335, China

2.4 Technische Beschreibung und Daten

2.4.1 Der PCMM Motion Controller

PCMM steht für **P**rogrammable **C**ontroller **M**ulti-Axis **M**aster (programmierbare zentrale Mehrachssteuerung). Der Controller bietet eine programmierbare Antriebssteuerung über die PLCOpen- oder PipeNetwork-Software und SPS mit allen fünf IEC 61131-Sprachen.

EtherCAT verbindet den PCMM mit den anderen Komponenten im Antriebssystem.

2.4.2 Lieferumfang

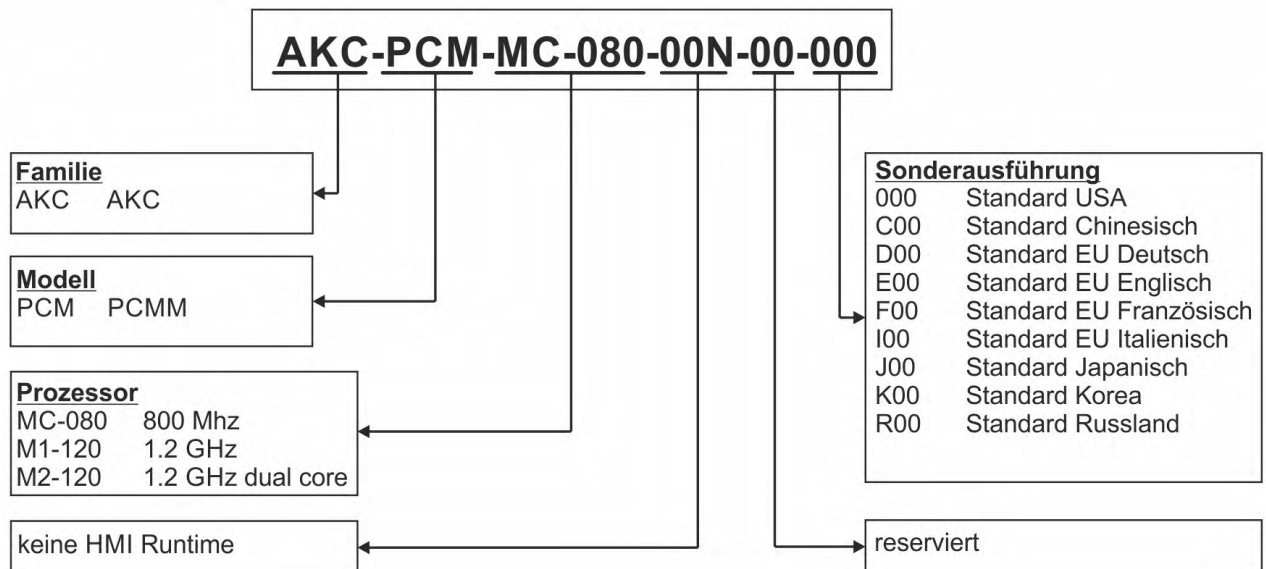
Wenn Sie einen PCMM Controller bei uns bestellen, erhalten Sie:

- PCMM
- *PCMM Installation Manual* (gedruckt)
- Gegenstecker X1, X35 und X36

INFO

Die SubD- und RJ45-Gegenstecker gehören nicht zum Lieferumfang.

Typenschlüssel



2.4.3 Technische Daten

Nenndaten

Elektrische Daten	Einheiten	PCMM
Nennversorgungsspannung	V DC	24 V ±10 % siehe (→ # 133)
Nenneingangsstrom	A	1,25
Nenneingangsleistung	W	30
Zulässige Einschalthäufigkeit	1/h	30
Mechanische Daten		
Gewicht	kg	0,45
Maße (H x B x T)	mm	174 x 50 x 111,5 siehe (→ # 130)
Maße (H x B x T) mit Steckern	mm	208 x 50 x 147,5 siehe (→ # 130)
Empfohlene Anzugsmomente		
X1, X35, X36	Nm (in-lbf)	0,2 bis 0,25 (2)
Erdungsbolzen	Nm (in-lbf)	1,7 (15)

Absicherung

Stromkreis	Max. Strom-Nennwert	Beispiel Klasse J Cooper Bussmann	Beispiel Klasse J Ferraz Shawmut
24 V DC Versorgung	8 A (zeitverzögert)	LPJ8SP/DFJ8	AJT8

Ein-/Ausgänge

Schnittstelle	Elektrische Daten
Digitaleingänge siehe (→ # 135)	<ul style="list-style-type: none"> • EIN: 3,5 V DC bis 30 V DC, 2 mA bis 15 mA • AUS: -2 V DC bis 2 V DC, max. 15 mA • Potenzialtrennung für 250 V DC • Aktualisierungsrate: Software 250 µs • Source- oder Sink-Anschluss
Digitalausgänge siehe (→ # 136)	<ul style="list-style-type: none"> • Max. 30 V DC, 100 mA • Kurzschlussfest • Potenzialtrennung für 250 V DC • Aktualisierungsrate: 1 ms • Low-aktiv oder High-aktiv

Umgebungsbedingungen, Belüftung und Einbaulage

Lagerung und Transport	(→ # 26)
Umgebungstemperatur im Betrieb	0 bis +55 °C bei Nennwerten
Feuchtigkeit im Betrieb	Relative Luftfeuchtigkeit 5 bis 85 %, ohne Betauung, Klasse 3K3 gemäß EN 60721-3-3
Einsatzhöhe	Bis zu 2500 Meter über NN ohne Einschränkungen
Verschmutzungsgrad	Verschmutzungsgrad 2 gemäß EN 61010-1
Schwingungen	Klasse 3M1 gemäß EN 60721-3-3
Gehäuseschutzart	IP 20 gemäß EN 60529
Einbaulage	Vertikal
Belüftung	Freie Konvektion

2.5 Mechanische Installation

INFO

Maßübersicht siehe (→ # 130).

2.5.1 Wichtige Hinweise

ACHTUNG

Schützen Sie den PCMM vor unzulässiger Beanspruchung. Insbesondere dürfen bei Transport und Handhabung keine Bauelemente verbogen und / oder Isolationsabstände verändert werden. Vermeiden Sie den Kontakt mit elektronischen Komponenten und Kontakten.

ACHTUNG

Der PCMM schaltet sich bei Überhitzung selbst ab. Sorgen Sie für ausreichende, gefilterte Kaltluftzufuhr von unten im Schaltschrank oder verwenden Sie einen Wärmetauscher.

ACHTUNG

Montieren Sie keine Komponenten, die Magnetfelder erzeugen, direkt neben dem PCMM. Starke Magnetfelder können interne Bauteile direkt beeinflussen. Montieren Sie magnetfelderzeugende Geräte mit Abstand zu dem PCMM und/oder schirmen Sie die Magnetfelder ab.

2.5.2 Leitfaden zur mechanischen Installation

Sie benötigen zum Einbau des PCMM (mindestens) das folgende Material, für Ihre spezifische Anlage möglicherweise noch mehr:

- M4-Zylinderschrauben mit Innensechskant (EN 4762)
- 3-mm-Innensechskantschlüssel mit T-Griff
- Nr. 2 Kreuzschlitzschraubendreher
- Kleiner Schlitzschraubendreher

Bauen Sie den PCMM wie folgt ein:

1. Bereiten Sie den Einbauort vor.
Bauen Sie den PCMM in einen geschlossenen Schaltschrank ein. Der Einbauort muss frei von leitfähigen und aggressiven Stoffen sein.
2. Prüfen Sie die Belüftung.
Stellen Sie die ungehinderte Belüftung des PCMM sicher und beachten Sie die zulässige Umgebungstemperatur (→ # 30). Beachten Sie die erforderlichen Freiräume ober- und unterhalb des PCMM.
3. Prüfen Sie das Kühlsystem.
Wenn Sie ein Kühlsystem für den Schaltschrank verwenden, platzieren Sie das Kühlsystem so, dass kein Kondenswasser in den PCMM oder Peripheriegeräte tropfen kann.
4. Bauen Sie den PCMM ein.
Platzieren Sie den PCMM und die Stromversorgung nahe bei einander auf der leitfähigen, geerdeten Montageplatte im Schaltschrank.
5. Erden Sie den PCMM.
Erden Sie die Montageplatte, das Gehäuse des PCMM und die CNC-GND der Steuerung.

2.6 Elektrische Installation

INFO

Eine Übersicht über Stecker und Ein-/Ausgangsanschlüsse finden Sie auf (→ # 131).

2.6.1 Wichtige Hinweise

ACHTUNG

Der Antrieb darf nur von Fachpersonal mit Kenntnissen im Bereich der Elektrotechnik installiert werden. Grüne Drähte mit einem oder mehreren gelben Streifen dürfen nur für die Verdrahtung der Schutz Erde (PE) verwendet werden.

ACHTUNG

Überdimensionierte externe Sicherungen gefährden Kabel und Geräte. Die Absicherung der 24-V-Versorgung muss benutzerseitig installiert werden, empfohlene Werte (→ # 30).

INFO

Zum Ändern der Geräteeinstellungen kann die Setup-Software (KAS IDE) verwendet werden. Alle anderen Veränderungen führen zum Erlöschen der Garantie.

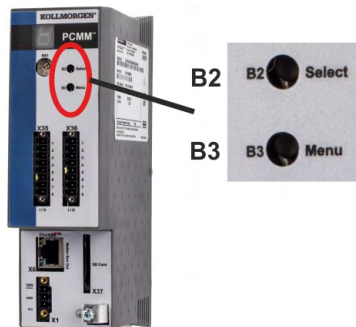
2.6.2 Leitfaden für die elektrische Installation

Installieren Sie das elektrische System des PCMM wie folgt:

1. Wählen Sie Leitungen gemäß EN 60204 aus.
2. Montieren Sie die Abschirmung und erden Sie den PCMM.
Erden Sie die Montageplatte und den CNC-GND der Steuerung.
3. Schließen Sie alle Schnittstellen gemäß den Schaltbildern in (→ # 131) an.

2.6.3 Taster (B2, B3)

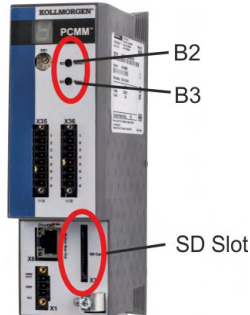
Mit den Tastern können vordefinierte Funktionen gestartet werden.



Funktion	Taster	Bemerkung
Startfunktionen (Taster drücken und halten, während der Hochlaufphase des Verstärkers)		
Recovery	B2	Drücken und Halten startet den Verstärker im Recovery Modus.
Menü	B3	Drücken und Halten blockiert den Autostart der Applikation und startet die Anzeige des Menüs.
Operative Funktionen (Taster bei normalem Betrieb drücken)		
Menü	B3	Drücken startet die Anzeige der Menüpunkte. Die Menüpunkte werden 10s lang angezeigt und können durch Drücken von B2 ausgewählt werden.
Menüpunkt ausführen	B2	Drücken, während der gewünschte Menüpunkt angezeigt wird. Applikation läuft , verfügbare Menüpunkte: <ul style="list-style-type: none"> • - 'IP' Adresse • - 'stop' Applikation (bestätigen) Applikation läuft nicht , verfügbare Menüpunkte: <ul style="list-style-type: none"> • - 'IP' Adresse • - 'start' Applikation (bestätigen) • - 'reset' auf Werkseinstellungen (bestätigen) • - 'backup' zu SD-Karte (bestätigen) • - 'restore' von SD-Karte (bestätigen)
Bestätigen	B2	Falls der gewählte Menüpunkt eine Bestätigung erfordert, wird im Display 10 Sek. lang ein „y“ angezeigt. Drücken Sie B2 zur Bestätigung.

2.6.4 SD-Speicherkarte

Der PCMM verfügt über einen Steckplatz für eine SD-Speicherkarte und mit den Tastern B2 und B3 können Dateiübertragungen von der SD-Karte und auf die PCMM SD-Karte aktiviert werden. Diese Funktionen können auch über die KAS IDE-Software gestartet werden. Eine ausführliche Beschreibung finden Sie in der KAS-Onlinehilfe.



Die Backup/Restore-Funktionen (PCMM nach SD oder SD nach PCMM) können bei laufender Applikation nicht aktiviert werden.

INFO

Stoppen Sie die Applikation über den Webbrowser oder aktivieren Sie die Stopp-Funktion mit den Tasten B2/B3, bevor Sie die SD-Funktionen nutzen. Wenn während der Save/Load-Funktionen ein Fehler auftritt, wird die Fehlernummer im einstelligen LED-Display mit „E“ gefolgt von zwei Zahlen angezeigt. Fehlernummern (→ # 137).

Unterstützte SD-Speicherkarten

SD-Speicherkarten sind von den Herstellern vorformatiert. Die folgende Tabelle zeigt die vom PCMM unterstützten Speicherkartentypen.

SD-Typ	Dateisystem	Kapazität	Unterstützt
SD (SDSC)	FAT16	1 MB bis 2 GB	JA
SDHC	FAT32	4 GB bis 32 GB	JA
SDXC	exFAT (Microsoft)	>32 GB bis 2 TB	NEIN

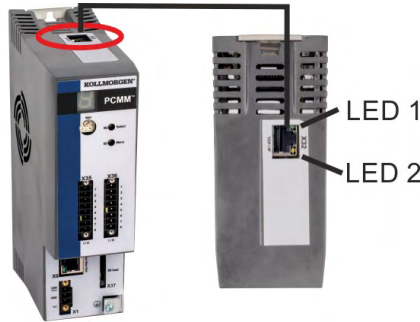
Funktionen

Wenn eine SD-Speicherkarte in den SD-Kartenleser eingesteckt ist und kein Anwendungsprogramm läuft, zeigt das Menü im einstelligen Display (mit B3 starten) die möglichen Funktionen:

- 'backup' kopiert Firmware, Konfigurationsdaten, Anwenderprogramme und Nutzerdaten vom PCMM auf die SD-Karte.
- 'restore' kopiert Firmware, Konfigurationsdaten, Anwenderprogramme und Nutzerdaten von der SD-Karte auf den PCMM.

2.6.5 Serviceschnittstelle (X32)

Die Parameter für den Betrieb, die Positionsregelung und Fahraufträge können mit der Setup-Software auf einem handelsüblichen PC konfiguriert werden.



Pin	Signal	Pin	Signal
1	Senden +	5	n.v.
2	Senden -	6	Empfangen -
3	Empfangen +	7	n.v.
4	n.v.	8	n.v.

Protokoll	Typ
Modbus TCP	Service Bus
Ethernet TCP/IP	Service Bus

Schließen Sie die Serviceschnittstelle (X32) des PCMM an eine Ethernet-Schnittstelle am PC direkt oder über einen Netzwerk-Hub/-Switch an, **während die Stromversorgung zu den Geräten abgeschaltet ist**. Verwenden Sie bevorzugt Standard-Ethernet-Kabel der Kategorie 5 (in manchen Fällen können auch Crossover-Kabel verwendet werden).

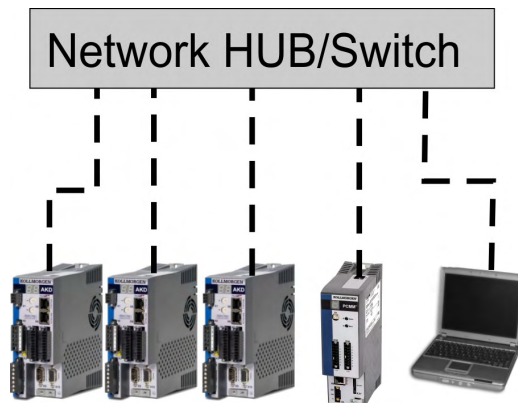
ACHTUNG

Schließen Sie das Motion Bus-Kabel nicht an die Serviceschnittstelle X32 an. Das Motion Bus-Kabel muss an X6 angeschlossen werden.

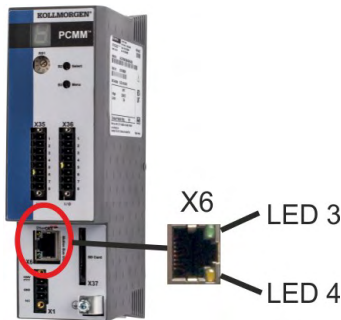
Prüfen Sie, ob die Verbindungs-LEDs am PCMM (grüne LED am RJ45-Stecker) und an Ihrem PC (oder Netzwerkhub/-switch) beide leuchten. Wenn beide LEDs leuchten, besteht eine gute elektrische Verbindung.

Stecker	LED#	Farbe	Name	Anzeige
X32	LED1	Grün	Link	Ein = Empfangssignal gültig
	LED2	Gelb	Activity	Blinkt = Sende oder Empfang Datenpaket

Mögliche Netzwerkkonfigurationen



2.6.6 Motion-Bus-Schnittstelle (X6)



Pin	Signal
1	Empfangen +
2	Empfangen -
3	Senden +
4, 5	n.v.
6	Senden -
7, 8	n.v.

ACHTUNG

Schließen Sie das Ethernet-Servicekabel für den PC nicht an die Motion-Bus-Schnittstelle X6 an. Das Ethernet-Servicekabel muss an X32 angeschlossen werden.

Stecker	LED#	Farbe	Name	Anzeige
X6	LED3	Grün	Link	Ein = Empfangssignal gültig
	LED4	Gelb	Activity	Blinkt = Sende oder Empfange Datenpaket

2.6.7 Drehschalter (RS1)

Mit dem Drehschalter RS1 können Sie die IP-Adresse des PCMM einstellen. Die mit dem Drehschalter RS1 konfigurierte IP-Adresse wird am 7-Segment Display angezeigt, wenn beim Einschalten der 24-V-Versorgung ein Ethernet-Kabel an X32 angeschlossen ist. Wenn kein Ethernet Kabel angeschlossen ist, wird keine IP-Adresse angezeigt.



Drehschalter-Einstellung	PCMM IP-Adresse
0	DHCP/Automatische IP-Adresse. Die IP-Adresse des Geräts wird vom DHCP-Server in Ihrem Netzwerk abgerufen. Wenn kein DHCP-Server vorhanden ist, wird eine Automatische IP-Adresse vergeben (sie wird intern gemäß dem AutoIP-Protokoll im Format 169.254.xx.xx generiert).
1	Statische IP-Adresse. Die IP Adresse kann mit einem Web Browser konfiguriert werden. Die default IP Adresse ist 192.168.1.101. Um diese Adresse zu ändern, starten Sie einen Webbrowser und geben Sie die Standard-IP-Adresse in die Adresszeile ein. Die PCMM-Webseite wird angezeigt. Navigieren Sie zur Registerkarte „Settings“ und stellen Sie die gewünschte statische IP Adresse für den PCMM ein.
2 bis 9	Statische IP-Adresse. Die IP-Adresse ist 192.168.0.10n, wobei n für die Zahl steht, auf die der Drehschalter eingestellt ist. Diese Einstellung generiert Adressen im Bereich von 192.168.0.102 bis 192.168.0.109. Beispiel: Wenn RS1 auf 5 eingestellt ist, lautet die IP-Adresse 192.168.0.105.

INFO

Die PC-Subnetmask muss auf 255.255.255.0 oder 255.255.255.128 gesetzt sein.

Statische IP-Adressierung

Wenn der PCMM direkt an einen PC angeschlossen wird, muss die statische IP-Adressierung benutzt werden. Stellen Sie den Drehschalter RS1 auf einen Wert zwischen 2 und 9 ein (siehe Tabelle oben)

Dynamische IP-Adressierung (DHCP und Auto-IP)

Wenn RS1 auf 0 gestellt ist, befindet sich der PCMM im DHCP-Modus. Der PCMM ruft seine IP-Adresse von einem externen DHCP-Server ab, wenn im Netzwerk einer vorhanden ist. Wenn kein DHCP-Server vorhanden ist, erzeugt das Gerät automatisch eine private IP-Adresse im Format 169.254.x.x.

Wenn Ihr PC direkt mit dem Gerät verbunden ist und in den TCP/IP-Einstellungen festgelegt ist, dass die IP-Adresse automatisch abgerufen werden soll, wird zwischen den Geräten eine Verbindung mithilfe von automatisch generierten kompatiblen Adressen hergestellt. Ein PC kann bis zu 60 Sekunden benötigen, um eine automatische private IP-Adresse zu konfigurieren (169.254.x.x).

Ändern der IP-Adresse

Wenn Sie die Drehschalter verstellen, während der PCMM mit 24 V versorgt wird, müssen Sie die 24-V-Hilfsspannung aus- und wieder einschalten. Dadurch wird die Adresse zurückgesetzt.

2.7 Inbetriebnahme

2.7.1 Wichtige Hinweise

ACHTUNG

Vor der Inbetriebnahme muss der Maschinenhersteller eine Risikobeurteilung für die Maschine erstellen und geeignete Maßnahmen dafür treffen, dass unvorhergesehene Bewegungen nicht zu Person- oder Sachschäden führen können.

ACHTUNG

Der Verstärker darf nur von Fachpersonal mit umfassenden Kenntnissen in der Elektrotechnik und der Antriebstechnik getestet und konfiguriert werden.

ACHTUNG

Datensätze, die auf Datenträgern gespeichert wurden, sind nicht gegen unbeabsichtigte Veränderungen durch andere Personen gesichert. Die Verwendung von ungeprüften Daten kann zu unerwarteten Bewegungen führen. Nachdem Sie Datensätze geladen haben, müssen Sie daher alle Parameter prüfen, bevor Sie den Verstärker freigeben.

2.7.2 Inbetriebnahme mit KAS IDE

Der Controller und die Verstärker müssen an die Anforderungen für Ihre Maschine angepasst werden. Für die meisten Anwendungen können Sie einen PC und KAS IDE („Kollmorgen Automation Suite Integrated Development Environment“) verwenden, um die Parameter für Ihr Antriebssystem festzulegen. Der PC ist über ein Ethernet-Kabel mit dem PCMM verbunden.

Die integrierte Entwicklungsumgebung KAS IDE enthält Werkzeuge zum Konfigurieren des EtherCAT-Netzwerks, zur Inbetriebnahme und Abstimmung von Kollmorgen-Servoverstärkern, zur Erstellung von SPS-Programmen und zum Erstellen einer HMI.

KAS IDE ist auf DVD verfügbar oder kann elektronisch übermittelt werden. Informationen erhalten Sie von Ihrem Kollmorgen-Kundenberater. PCMM Runtime ist über das KDN (<http://kdn.kollmorgen.com>) oder die Kollmorgen-Website (<http://www.kollmorgen.com>) erhältlich.

Kollmorgen bietet Schulungs- und Vertiefungskurse auf Anfrage.

INFO

Erläuterungen zur Inbetriebnahme finden Sie im Handbuch „KAS Getting Started“.

2.8 Fehlersuche und -behebung beim PCMM

Fehler am Motion Controller können aus den verschiedensten Gründen auftreten, die von den Bedingungen in Ihrer Installation abhängen. Die Ursachen für Fehler in Mehrachsensystemen können besonders komplex sein. Wenn Sie einen Fehler mit der nachstehenden Anleitung zur Fehlerbehebung nicht beheben können, bietet Ihnen unser Kundendienst weitere Unterstützung.

INFO

Die gängigsten Fehler sind im Kapitel „Fehler und Warnmeldungen“ aufgeführt (→ # 137). Weitere Informationen zur Fehlerbeseitigung finden Sie in der Onlinehilfe.

3 Français

3.1 Généralités	40
3.1.1 Remarques sur la version imprimée (version papier)	40
3.1.2 Symboles utilisés	40
3.1.3 Abréviations utilisées	41
3.1.4 Normes utilisées	41
3.2 Sécurité	42
3.2.1 Votre attention est requise pour ce chapitre	42
3.2.2 Utilisation recommandée	43
3.2.3 Utilisation interdite	43
3.3 Manipulation	44
3.3.1 Transport	44
3.3.2 Emballage	44
3.3.3 Stockage	44
3.3.4 Mise hors service	44
3.3.5 Maintenance et nettoyage	45
3.3.6 Désinstallation	45
3.3.7 Réparation	45
3.3.8 Mise au rebut	46
3.4 Description et caractéristiques techniques	47
3.4.1 Contrôleur de mouvement PCMM	47
3.4.2 Éléments du coffret	47
3.4.3 Caractéristiques techniques	48
3.5 Installation mécanique	49
3.5.1 Remarques importantes	49
3.5.2 Guide d'installation mécanique	49
3.6 Installation électrique	50
3.6.1 Remarques importantes	50
3.6.2 Guide d'installation électrique	50
3.6.3 Boutons-poussoirs (B2, B3)	51
3.6.4 Emplacement pour carte SD	52
3.6.5 Interface de service (X32)	53
3.6.6 Interface du bus de mouvement (X6)	54
3.6.7 Commutateur rotatif (RS1)	54
3.7 Configuration	56
3.7.1 Remarques importantes	56
3.7.2 Configuration à l'aide de KAS IDE	56
3.8 Dépannage du PCMM	56

3.1 Généralités

Ce *PCMM Installation Manual* fournit des informations pertinentes relatives à l'installation et à la configuration en toute sécurité du contrôleur de mouvement PCMM.

Documents supplémentaires :

- **EtherCAT Communication** (PDF, anglais) :
Décrit l'utilisation de votre contrôleur dans des applications EtherCAT.
- **Ethernet/IP Communication** (anglais) : décrit l'utilisation de votre contrôleur dans des applications Ethernet/IP.
- **KAS Aide en ligne** (WebHelp) :
Décrit l'utilisation de votre contrôleur dans des applications générales. Ce document fournit également des conseils pour configurer et optimiser les performances de votre système. L'aide en ligne inclut le guide *Parameter and Command Reference Guide*, qui fournit des informations sur les paramètres et commandes utilisés pour la programmation du système de mouvement.






Tous les documents sont disponibles sur le KDN (<http://kdn.kollmorgen.com>) ou sur le site Web de Kollmorgen (<http://www.kollmorgen.com>).

3.1.1 Remarques sur la version imprimée (version papier)

Chaque produit est fourni avec une version imprimée du manuel. Par respect de l'environnement, la taille du document a été réduite et celui-ci a été imprimé au format DIN A5.

INFORMATION Si vous rencontrez des difficultés de lecture en raison de la taille de la police, vous pouvez imprimer la version PDF au format DIN A4 1:1. La version PDF du document figure sur le DVD joint avec le produit, ainsi que sur le site de Kollmorgen.

3.1.2 Symboles utilisés

Symbole	Indication
 DANGER	Indique une situation dangereuse qui, faute de prendre les mesures adéquates, entraînera des blessures graves, voire mortelles.
 AVERTISSEMENT	Indique une situation dangereuse qui, faute de prendre les mesures adéquates, peut entraîner des blessures graves, voire mortelles.
 ATTENTION	Indique une situation dangereuse qui, faute de prendre les mesures adéquates, peut entraîner des blessures assez graves ou légères.
 AVIS	Il ne s'agit pas d'un symbole de sécurité. Indique des situations qui, faute de prendre les mesures adéquates, peuvent entraîner des dommages matériels.
 INFORMATION	Il ne s'agit pas d'un symbole de sécurité. Ce symbole indique des remarques importantes.

3.1.3 Abréviations utilisées

Abréviations	Signification
(→ # 53)	"voir page 53" dans ce document
CE	Communauté européenne
CEM	Compatibilité électromagnétique
PC	Ordinateur personnel
PCMM	P rogrammable C ontroller M ulti-Axis M aster.
PE	Conducteur de protection
RCD	Dispositif de courant résiduel
SFF	Proportion de défaillances non dangereuses
V c.a.	Tension en volts ; courant alternatif
V c.c.	Tension en volts ; courant continu

3.1.4 Normes utilisées

Norme	Contenu
ISO 4762	Vis à tête cylindrique à six pans creux
ISO 12100	Sécurité des machines : concepts de base, principes généraux de conception
IEC 60085	Isolation électrique - Évaluation et désignation thermiques - Maintenance
IEC 60204	Sécurité des machines : équipement électrique des machines
IEC 60364	Installations électriques à basse tension
IEC 60439	Ensembles d'appareillage à basse tension
IEC 60529	Degrés de protection procurés par les enveloppes (code IP)
IEC 60721	Classification des conditions d'environnement
IEC 61000	Compatibilité électromagnétique (CEM)
IEC 61131	Automates programmables
IEC 61491	Équipement électrique des machines industrielles – Liaison des données sérielles pour communications en temps réel entre unités de commande et dispositifs d'entraînement.
IEC UL 61010-1	Règles de sécurité pour appareils électriques de mesurage, de régulation et de laboratoire
IEC 82079	Établissement des instructions d'utilisation - Structure, contenu et présentation

IEC : Commission électrotechnique internationale

ISO : Organisation internationale de normalisation

UL : Underwriters Laboratories

3.2 Sécurité

3.2.1 Votre attention est requise pour ce chapitre

Personnel spécialisé

Seul un personnel convenablement qualifié est autorisé à effectuer des opérations de transport, d'installation, de configuration et de maintenance. Par personnel spécialisé qualifié, on entend toute personne familiarisée avec le transport, l'installation, le montage, la mise en service et l'utilisation du PCMM et disposant des qualifications minimales en rapport avec ses activités :

- Transport : exclusivement réservé à un personnel possédant des connaissances en matière de manipulation de composants sensibles à l'électricité statique.
- Déballage : exclusivement réservé à des électriciens.
- Installation : exclusivement réservée à des électriciens.
- Tests de base / configuration : exclusivement réservés à des spécialistes de l'électrotechnique et de la technologie de transmission

Le personnel qualifié doit connaître et respecter les normes ISO 12100 / CEI 60364 / CEI 60664 ainsi que les réglementations nationales en matière de prévention des accidents.

Lecture de la documentation

Lisez la documentation disponible avant l'installation et la mise en service. Toute manipulation incorrecte du PCMM peut provoquer des blessures ou des dégâts. L'opérateur de systèmes faisant intervenir le PCMM doit exiger de tous les membres du personnel travaillant avec le système de mouvement qu'ils connaissent et comprennent le manuel avant d'utiliser le système.

Contrôle de la version matérielle

Vérifiez le numéro de version matérielle du produit (voir plaque signalétique). Ce numéro est le lien entre votre produit et le manuel. Il doit correspondre au numéro de révision matérielle figurant sur la page de garde du manuel.

Prise en compte des caractéristiques techniques

Respectez les caractéristiques techniques et les spécifications relatives aux conditions de connexion (plaque signalétique et documentation). Le dépassement des valeurs de tension ou d'intensité autorisées peut entraîner des dommages sur le PCMM.

Évaluation des risques

Le fabricant de l'appareil doit procéder à une évaluation des risques pour celui-ci et prendre les mesures appropriées afin d'éviter tout dommage corporel ou matériel provoqué par un éventuel mouvement inopportun. Des exigences supplémentaires concernant le personnel spécialisé peuvent également découler de l'évaluation des risques.

Composants sensibles à l'électricité statique

Le PCMM contient des composants sensibles à l'électricité statique qui peuvent être endommagés par une manipulation incorrecte. Déchargez l'électricité statique de votre corps avant de toucher le PCMM. Évitez le contact avec des matériaux à haute isolation (fibres synthétiques, film plastique, etc.). Placez le PCMM sur une surface conductrice.

Interdiction de modifier les produits

Il est interdit d'apporter des modifications au PCMM sans avoir obtenu l'autorisation du fabricant au préalable. L'ouverture du boîtier peut annuler la garantie.

3.2.2 Utilisation recommandée

Les PCMM sont destinés à commander des variateurs Kollmorgen dans un système de servo-variateur.

Les PCMM sont des composants montés sur des machines ou installations électriques et peuvent être exploités uniquement en tant que composants intégrés de ces installations ou machines. Le fabricant de l'appareil utilisé avec un PCMM doit procéder à une évaluation des risques pour l'appareil.

Dans le cas d'un montage de PCMM dans des machines ou des installations, l'utilisation du système de variateur est interdite tant que la conformité de la machine ou de l'installation aux directives régionales n'a pas été établie.

Armoire et câblage

PCMM ne doit être exploité que dans une armoire de commande fermée (connecté en permanence), adaptée aux conditions ambiantes (→ # 48). Une aération ou un refroidissement peut être nécessaire pour conserver l'armoire à une température inférieure à 55 °C.

Utilisez uniquement des conducteurs en cuivre pour le câblage. La section des conducteurs peut être basée sur la norme CEI 60204 (ou pour les sections AWG : tableau CEN 310-16, colonne 75 °C).

Alimentation

Le PCMM peut être alimenté par des réseaux industriels 24 V c.c.

3.2.3 Utilisation interdite

Toute utilisation autre que celle décrite dans le chapitre "Utilisation recommandée" n'est pas prévue et peut entraîner des dommages corporels et matériels. Le PCMM ne doit pas être utilisé avec des machines ne respectant pas les normes ou les réglementations nationales appropriées. L'utilisation du PCMM dans les environnements suivants est également proscrite :

- Zones potentiellement explosives
- Environnements avec acides corrosifs et/ou conducteurs, solutions alcalines, huiles, vapeurs, poussières

3.3 Manipulation

3.3.1 Transport

Le transport du PCMM doit se faire conformément à la norme CEI 61800-2 :

- Le transport doit être effectué par du personnel qualifié, avec le variateur dans l'emballage recyclable d'origine du fabricant. Il convient d'éviter les chocs lors du transport.
- La hauteur d'empilage maximum correspond à la hauteur de 8 cartons.
- Le transport doit être effectué dans les plages de températures spécifiées : -25 à +70 °C variation de 20 K/heure maximum, classe 2K3.
- Le transport doit être effectué dans les conditions d'humidité spécifiées : humidité relative maximum de 95 %, sans condensation, classe 2K3.

AVIS

Le PCMM contient des composants sensibles à l'électricité statique qui peuvent être endommagés par une manipulation incorrecte. Déchargez l'électricité statique de votre corps avant de toucher le PCMM. Évitez le contact avec des matériaux à haute isolation (fibres synthétiques, films plastique, etc.). Placez le PCMM sur une surface conductrice.

Si l'emballage est abîmé, vérifiez si l'unité présente des dommages visibles. Avertissez l'expéditeur et le fabricant des éventuels dommages constatés sur l'emballage ou le produit.

3.3.2 Emballage

L'emballage du PCMM est composé d'un carton recyclable avec pièces et d'une étiquette sur la partie extérieure du boîtier.

Dimensions de l'emballage (H x l x L) : 107 mm x 268 mm x 220 mm

Poids total : 1,2 kg

3.3.3 Stockage

Le stockage du PCMM doit se faire conformément à la norme CEI 61800-2 :

- Le stockage doit être effectué uniquement dans l'emballage d'origine recyclable du fabricant.
- La hauteur d'empilage maximum correspond à la hauteur de 8 cartons.
- Le stockage doit être effectué dans les plages de températures spécifiées : -25 à +55 °C, variation de 20 K/heure maximum, classe 1K4.
- Le stockage doit être effectué dans les conditions d'humidité spécifiées : humidité relative entre 5 et 95 %, sans condensation, classe 1K3.

3.3.4 Mise hors service

AVIS

Seuls des spécialistes en électrotechnique sont habilités à mettre des composants du système hors service.

- Coupez l'interrupteur principal de l'armoire de commande.
- Protégez le système contre toute remise en marche.
- Bloquez l'interrupteur principal..

3.3.5 Maintenance et nettoyage

L'appareil ne requiert aucune maintenance. Le fait d'ouvrir l'appareils annule la garantie. L'intérieur de l'unité ne peut être nettoyé que par le fabricant.

AVIS

N'immergez ou ne pulvérisez pas le dispositif . Évitez toute pénétration de liquides dans l'appareil.

Pour nettoyer l'extérieur d'appareil :

1. Mettez l'appareil hors service (reportez-vous au chapitre 3.3.4 "Mise hors service").
2. Carter : nettoyez avec de l'isopropanol ou une solution de nettoyage similaire.
ATTENTION : Facilement inflammable ! Risque de blessure par déflagration et d'incendie.
 - Respectez les consignes de sécurité figurant sur l'emballage du produit de nettoyage.
 - Après le nettoyage, patientez au moins 30 min. avant de remettre l'appareil en service.
3. Grille de protection du ventilateur : nettoyez à l'aide d'une brosse à sec.

3.3.6 Désinstallation

AVIS

Seuls des spécialistes en électrotechnique sont habilités à remplacer les composants du système.

1. Mettez l'appareil hors service (reportez-vous au chapitre 3.3.4 "Mise hors service").
2. Retirez les connecteurs. Déconnectez la prise de terre en dernier le cas échéant.
3. Démontage : desserrez les vis de fixation et retirez l'appareil.

3.3.7 Réparation

AVIS

Seuls des spécialistes en électrotechnique sont habilités à remplacer les composants du système.

ATTENTION: Démarrage automatique ! Lors d'opérations de remplacement, une combinaison de dangers et de plusieurs événements peut se produire.

- Seul du personnel dûment formé et qualifié est habilité à travailler sur l'installation électrique, conformément aux réglementations sur la sécurité au travail, et uniquement en utilisant l'équipement de protection personnelle prescrit.

Remplacement de l'PCMM

Seul le fabricant est habilité à réparer l'appareil. Le fait d'ouvrir l'appareil annule la garantie.

1. Mettez l'appareil hors service (reportez-vous au chapitre 3.3.4 "Mise hors service").
2. Désinstallation d'appareil (voir chapitre 3.3.6 "Désinstallation").
3. Renvoyez l'appareil au fabricant.
4. Installez un nouvel appareil conformément aux instructions de ce manuel.
5. Mettez le système en service, conformément aux instructions de ce manuel.

Remplacement d'autres éléments du système d'entraînement

S'il s'avère nécessaire de remplacer des éléments du système d'entraînement (par exemple, des câbles), procédez comme suit:

1. Mettez l'appareil hors service (reportez-vous au chapitre 3.3.4 "Mise hors service").
2. Remplacez les éléments.
3. Vérifiez si toutes les connexions sont bien en place.
4. Mettez le système en service, conformément aux instructions de ce manuel.

3.3.8 Mise au rebut

AVIS

Pour une mise au rebut conforme de l'appareil, adressez-vous à une société certifiée de recyclage de déchets électroniques.

Conformément à la directive WEEE-2002/96/CE ou réglementation similaire, le fabricant accepte le retour d'appareils ou d'accessoires usagés pour une mise au rebut professionnelle. Les frais de transport incombent à l'expéditeur.

Envoyez les appareils dans son emballage d'origine aux adresses du fabricant affichées dans le tableau ci-dessous.

North America	South America
KOLLMORGEN 201 West Rock Road Radford, VA 24141, USA	KOLLMORGEN Avenida Tamboré - 1077 Tamboré Barueri - SP Brasil CEP: 06460-000, Brazil
Europe	Asia
KOLLMORGEN Europe GmbH Pempelfurtstr. 1 40880 Ratingen, Germany	KOLLMORGEN Floor 4, Building 9, No. 518, North Fuquan Road, Changning District, Shanghai 200335, China

3.4 Description et caractéristiques techniques

3.4.1 Contrôleur de mouvement PCMM

PCMM signifie **P**rogrammable **C**ontroller **M**ulti-Axis **M**aster. Le contrôleur inclut une commande de mouvement programmable utilisant des moteurs de mouvement PLCOpen ou PipeNetwork et un API avec les 5 langages spécifiés dans la norme CEI 61131.

EtherCAT connecte le PCMM aux autres composants du système de variateur.

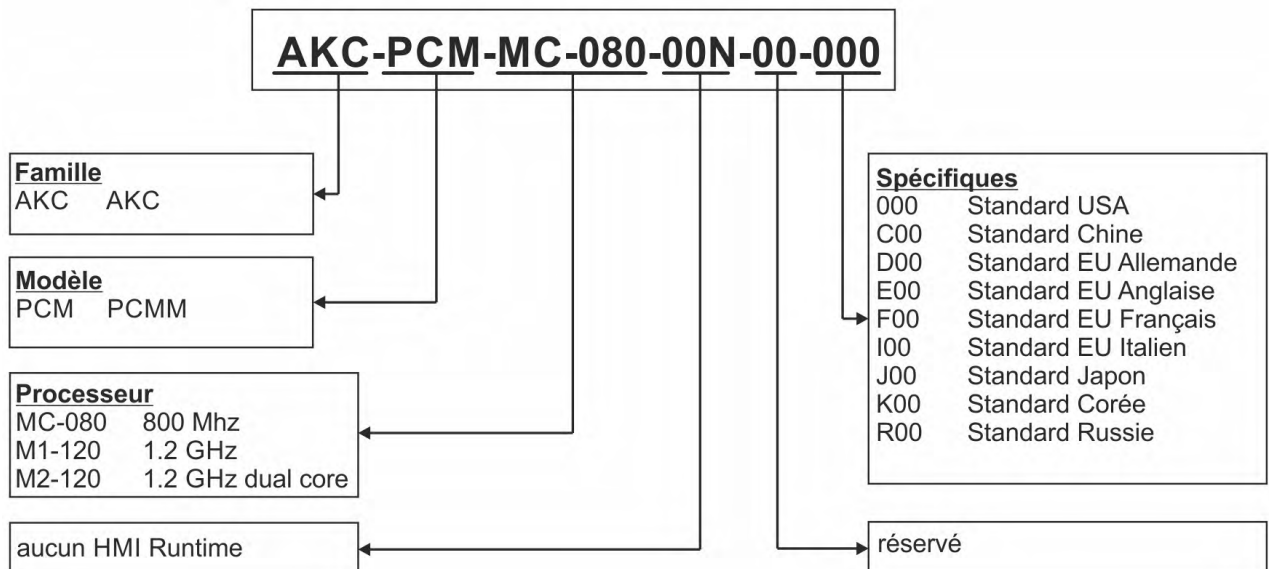
3.4.2 Éléments du coffret

Lors de la commande d'un contrôleur PCMM, les éléments suivants sont inclus dans le coffret :

- PCMM
- Version imprimée du *PCMM Installation Manual*
- Connecteurs homologues X1, X35 et X36

INFORMATION Les connecteurs homologues SubD et RJ45 ne sont pas inclus dans le coffret.

Tableau des références



3.4.3 Caractéristiques techniques

Caractéristiques nominales

Caractéristiques électriques	Unité	PCMM
Tension d'alimentation nominale	V c.c.	24 V \pm 10 % voir (→ # 133)
Courant d'entrée nominal	A	1,25
Puissance d'entrée nominale	W	30
Fréquence de mise en marche/arrêt autorisée	1/h	30
Caractéristiques mécaniques		
Poids	kg	0,45
Dimensions (H x l x P)	mm	174 x 50 x 111,5 voir (→ # 130)
Dimensions (H x l x P) avec connecteurs	mm	208 x 50 x 147,5 voir (→ # 130)
Couples de serrage recommandés		
X1, X35, X36	Nm (in-lbf)	0,2 à 0,25 (2)
Bloc PE	Nm (in-lbf)	1,7 (15)

Fusibles

Circuit	Courant nominale max.	Exemple classe J Cooper Bussmann	Exemple classe J Ferraz Shawmut
Alimentatio 24 V c.c.	8 A (temporisation)	LPJ8SP/DFJ8	AJT8

Entrées / sorties

Interface	Caractéristiques électriques
Entrées numériques voir (→ # 135)	<ul style="list-style-type: none"> • Marche : 3,5 V c.c. à 30 V c.c., 2 mA à 15 mA • Arrêt : -2 V c.c. à 2 V c.c., max. 15 mA • Isolation galvanique pour 250 V c.c. • Fréquence de rafraîchissement : logiciel 250 μs • Source ou Sink type
Sorties numériques voir (→ # 136)	<ul style="list-style-type: none"> • Max. 30 V c.c., 100 mA • Protection contre les courts-circuits • Isolation galvanique pour 250 V c.c. • Fréquence de rafraîchissement : 1 ms • Active bas ou active haut

Conditions ambiantes, aération et position de montage

Stockage, transport	(→ # 44)
Température ambiante en fonctionnement	0 à +55° C dans des conditions nominales
Humidité en fonctionnement	Humidité relative 5 à 85 %, sans condensation, classe 3K3 suivant CEI 60721-3-3
Altitude du site	Jusqu'à 2 500 mètres au-dessus du niveau de la mer sans restriction
Niveau de pollution	Niveau de pollution 2 suivant la norme CEI 61010-1
Vibrations	Classe 3M1 suivant la norme CEI 60721-3-3
Type de protection	IP 20 suivant la norme CEI 60529
Position de montage	Verticale
Aération	Convection libre

3.5 Installation mécanique

INFORMATION Aperçu des dimensions, voir (→ # 130).

3.5.1 Remarques importantes

AVIS

Protégez le PCMM des contraintes inacceptables. En particulier, tâchez d'éviter la déformation des composants ou l'altération des distances d'isolement pendant le transport et la manipulation. Évitez tout contact avec les composants électroniques et les contacts.

AVIS

Le PCMM se mettra hors tension en cas de surchauffe. Prévoyez une circulation suffisante d'air froid filtré dans le bas de l'armoire de commande ou utilisez un échangeur de chaleur.

AVIS

Ne montez pas d'appareils produisant des champs magnétiques à proximité directe du PCMM. De forts champs magnétiques peuvent directement affecter les composants internes. Installez les appareils produisant un champ magnétique loin du PCMM et/ou blindez les champs magnétiques.

3.5.2 Guide d'installation mécanique

Les outils suivants sont requis pour installer le PCMM ; des outils supplémentaires peuvent être nécessaires pour votre installation spécifique :

- Vis à tête cylindrique à six pans creux M4 (ISO 4762)
- Clé hexagonale en T 3 mm
- Tournevis cruciforme de taille 2
- Petit tournevis pour écrous à fente

Installez le PCMM de la façon suivante :

1. Préparez le site.
Montez le PCMM dans une armoire de commande fermée. Le site ne doit contenir aucun matériau conducteur ou corrosif.
2. Vérifiez l'aération.
Assurez une aération continue du PCMM et respectez la température ambiante autorisée (→ # 48). Laissez un espace libre suffisant au-dessus et sous le PCMM.
3. Vérifiez le système de refroidissement.
Si les systèmes de refroidissement sont utilisés pour l'armoire de commande, positionnez le système de refroidissement de manière à ce que l'eau de condensation ne puisse pas couler sur le PCMM ou les appareils périphériques.
4. Montez le PCMM.
Assemblez le PCMM et le bloc d'alimentation à proximité l'un de l'autre, sur la plaque de fixation conductrice mise à la terre dans l'armoire.
5. Mettez à la terre le PCMM.
Raccordez à la terre la plaque de fixation, le boîtier du PCMM et le composant CNC-GND du système de commande.

3.6 Installation électrique

INFORMATION Pour un aperçu des connecteurs et de la connexion E/S (→ # 131).

3.6.1 Remarques importantes

AVIS

Seuls des spécialistes en électrotechnique sont habilités à installer la système. Les câbles verts ayant une seule ou plusieurs rayures jaunes doivent seulement être utilisés en tant que conducteurs de protection.

AVIS

Des fusibles externes trop élevés peuvent endommager les câbles et les appareils. Les fusibles de l'alimentation 24 V doivent être installés par l'utilisateur ; valeurs idéales (→ # 48).

INFORMATION

L'utilisation du logiciel de configuration (KAS IDE) pour modifier les paramètres de l'appareil est autorisée. Toute autre modification entraîne automatiquement la perte des droits de garantie.

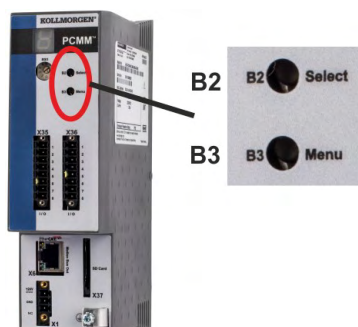
3.6.2 Guide d'installation électrique

Installez le système électrique du PCMM de la façon suivante :

1. Choisissez les câbles conformément à la norme CEI 60204.
2. Installez le blindage et mettez à la terre le PCMM.
Raccordez à la terre la plaque de fixation et le composant CNC-GND du système de commande.
3. Connectez toutes les interfaces conformément aux schémas de câblage de (→ # 131).

3.6.3 Boutons-poussoirs (B2, B3)

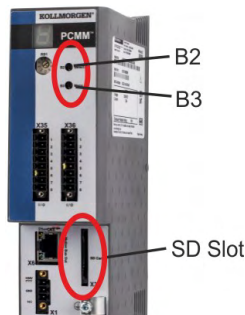
Les boutons-poussoirs peuvent être utilisés pour exécuter des fonctions prédéfinies.



Fonction	Bouton-poussoir	Remarques
Fonctions de démarrage (maintenez le bouton enfoncé pendant la séquence de démarrage à la mise sous tension)		
Mode de récupération	B2	Maintenez ce bouton enfoncé pour démarrer en mode de récupération.
Menu	B3	Maintenez ce bouton enfoncé pour bloquer le démarrage automatique de l'application et pour parcourir les différentes options de menu.
Fonctions opérationnelles (appuyez sur le bouton en mode de fonctionnement normal)		
Menu	B3	Appuyez sur ce bouton pour parcourir les options de menu. Les options de menu apparaissent sur l'afficheur LED à 7 segments de manière répétée pendant 10 s et peuvent être sélectionnées en appuyant sur B2.
Sélection d'une option de menu	B2	Appuyez sur ce bouton lorsque l'option de menu désirée est affichée afin d'exécuter l'action. Application en cours d'exécution , options de menu disponibles : <ul style="list-style-type: none"> • Adresse "IP" • Application "stop" (confirmation) Aucune application en cours d'exécution , options de menu disponibles : <ul style="list-style-type: none"> • Adresse "IP" • Application "start" (démarrage) (confirmation) • Rétablissement des valeurs par défaut ("reset") (confirmation) • Sauvegarde sur la carte SD ("backup") (confirmation) • Restauration à partir de la carte SD ("restore") (confirmation)
Confirmation	B2	Si l'option de menu sélectionnée nécessite une confirmation, "y" s'affiche pendant 10 s. Appuyez sur B2 pour confirmer.

3.6.4 Emplacement pour carte SD

Le PCMM inclut un emplacement pour carte SD et les boutons-poussoirs B2 et B3 qui permettent d'activer le transfert de fichiers entre le PCMM et la carte mémoire SD et inversement. Ces fonctions peuvent également être exécutées depuis le logiciel du KAS IDE. Une description détaillée est disponible dans l'aide en ligne du KAS.



Les opérations de sauvegarde/restauration (du PCMM sur la carte SD ou de la carte SD sur le PCMM) ne sont pas possibles si une application est en cours d'exécution.

INFORMATION

Arrêtez l'application depuis le navigateur Web ou utilisez la fonction "stop" du bouton B2/B3 avant toute opération avec la carte SD.

Si une erreur se produit pendant des opérations d'enregistrement/chargement, le numéro de l'erreur apparaît sur l'afficheur à un chiffre avec E suivi de deux chiffres. Codes d'erreur (→ # 137).

Types de cartes SD pris en charge

Les cartes SD sont préformatées par le fabricant. Le tableau suivant présente les types de cartes SD et leur compatibilité avec le PCMM.

Type SD	Système de fichiers	Capacité	Pris en charge
SD (SDSC)	FAT16	De 1 Mo à 2 Go	OUI
SDHC	FAT32	De 4 à 32 Go	OUI
SDXC	exFAT (Microsoft)	>32 Go à 2 To	NON

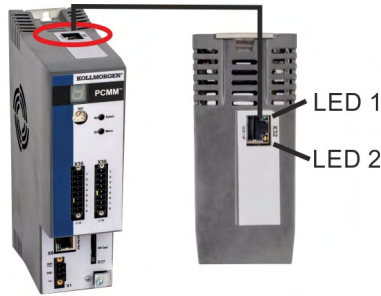
Caractéristiques

Si une carte SD est insérée dans son emplacement et qu'aucune application n'est en cours d'exécution, le bouton-poussoir Menu (activé avec B3) indique les fonctions de transfert de données possibles :

- Sauvegarde ("backup") pour copier le micrologiciel, les configurations, l'application utilisateur et les fichiers de données utilisateur entre le PCMM et la carte SD.
- Restauration ("restore") pour charger le micrologiciel, la configuration, l'application utilisateur et les fichiers de données utilisateur entre la carte SD et le PCMM.

3.6.5 Interface de service (X32)

Le réglage des paramètres de fonctionnement, de régulation de position et de bloc de mouvement peut être réalisé à l'aide du logiciel de configuration sur un PC ordinaire vendu dans le commerce.



Broche	Signal	Broche	Signal
1	Transmission +	5	n.f.
2	Transmission -	6	Réception-
3	Réception+	7	n.f.
4	n.f.	8	n.f.

Protocole	Type
Modbus TCP	Bus de service
Ethernet TCP/IP	Bus de service

Connectez l'interface de service (X32) du PCMM à une interface Ethernet directement sur le PC ou via un concentrateur/commutateur réseau. **Assurez-vous que l'alimentation de l'équipement est coupée.** Utilisez des câbles Ethernet standard de catégorie 5 pour la connexion (des câbles croisés fonctionnent également dans certains cas).

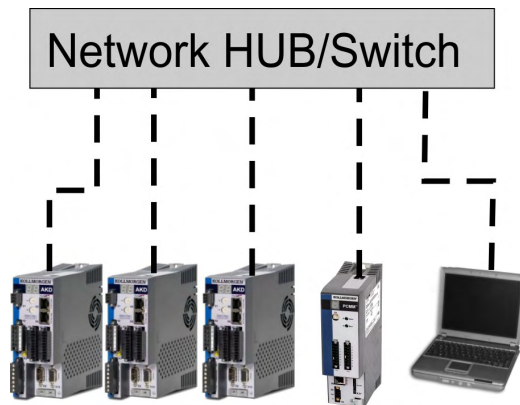
AVIS

Ne connectez pas le câble du bus de mouvement à l'interface de service X32. Le câble du bus de mouvement doit être connecté à X6.

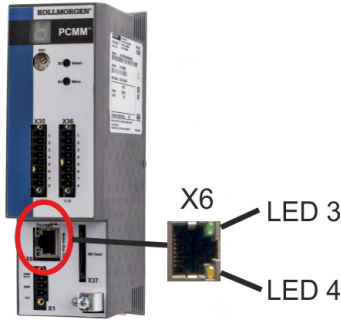
Assurez-vous que les DEL de liaison du PCMM (DEL verte sur le connecteur RJ45) et de votre PC (ou concentrateur/commutateur réseau) sont allumées. Si c'est le cas, cela signifie que votre connexion électrique fonctionne.

Connecteur	DEL#	Couleur	Nom	Indication
X32	LED1	Vert	Link	Allumé = réception valide
	LED2	Jaune	Aktivité	Clignotant= Transmettre ou recevoir le paquet

Configurations réseau possibles



3.6.6 Interface du bus de mouvement (X6)



Broche	Signal
1	Réception+
2	Réception-
3	Transmission +
4, 5	n.f.
6	Transmission -
7, 8	n.f.

AVIS

Ne connectez pas le câble de service Ethernet pour le PC à l'interface du bus de mouvement X6. Le câble de service Ethernet doit être connecté à X32.

Connecteur	DEL#	Couleur	Nom	Indication
X6	LED3	Vert	Link	Allumé = réception valide
	LED4	Jaune	Aktivité	Clignotant= Transmettre ou recevoir le paquet

3.6.7 Commutateur rotatif (RS1)

Vous pouvez utiliser le commutateur rotatif RS1 pour définir l'adresse IP du PCMM. L'adresse IP configurée (selon la position actuelle du commutateur rotatif RS1) apparaîtra sur l'afficheur à 7 segments au moment de la connexion du câble Ethernet et à la mise sous tension, si un câble Ethernet est branché. En l'absence de câble Ethernet, aucune adresse IP n'apparaîtra sur l'afficheur.



Configuration du commutateur rotatif	Adresse IP du PCMM
0	Adresse DHCP/AutoIP. L'adresse IP de l'appareil est obtenue à partir du serveur DHCP de votre réseau. En cas d'absence de serveur DHCP, l'adresse IP est une adresse AutoIP (générée en interne conformément au protocole AutoIP et sous la forme 169.254.xx.xx).
1	Adresse IP statique. L'adresse IP est configurable par logiciel à partir d'un navigateur Web. L'adresse IP par défaut à la position 1 du commutateur est 192.168.1.101. Pour configurer l'adresse IP, ouvrez un navigateur Web et tapez l'adresse IP dans la zone de l'URL. La page Web du PCMM s'affiche. Accédez à l'onglet Settings (paramètres), puis à l'onglet Network (réseau) pour configurer l'adresse IP statique du PCMM.
2 à 9	Adresse IP statique. L'adresse IP est 192.168.0.10n, où n correspond au chiffre du commutateur rotatif. Ce paramètre génère des adresses allant de 192.168.0.102 à 192.168.0.109. Exemple : si le commutateur RS1 est placé sur 5, l'adresse IP est 192.168.0.105

INFORMATION

Le masque de sous-réseau du PC doit être réglé sur 255.255.255.0 ou 255.255.255.128

Définition d'une adresse IP statique

Lors de la connexion du PCMM directement à un PC, il convient de définir une adresse IP statique. Placez le commutateur rotatif RS1 sur un chiffre compris entre 2 et 9 (voir tableau ci-dessus)

Définition d'une adresse IP dynamique (DHCP et auto)

Lorsque le commutateur RS1 est placé sur 0, le PCMM se trouve en mode DHCP. Une adresse IP est alors attribuée au PCMM par un serveur DHCP externe présent sur le réseau. En cas d'absence de serveur DHCP, l'appareil utilise une adresse IP privée automatique du type 169.254.x.x.

Si votre PC est connecté directement à l'appareil et configuré de façon à obtenir une adresse IP automatiquement dans les paramètres TCP/IP, des adresses compatibles sont générées automatiquement afin d'assurer la connexion entre les deux appareils. La configuration d'une adresse IP privée automatique par un PC peut durer jusqu'à 60 secondes (169.254.x.x).

Modification de l'adresse IP

En cas de changement de position du commutateur pendant l'alimentation 24 V du PCMM, vous devez couper la tension d'alimentation 24 V, puis la réenclencher. Cette action entraîne la réinitialisation de l'adresse.

3.7 Configuration

3.7.1 Remarques importantes

AVIS

Avant le test et la configuration, le fabricant de la machine doit effectuer une évaluation des risques pour celle-ci et prendre les mesures appropriées afin d'éviter tout dommage corporel ou matériel provoqué par un éventuel mouvement inopportun.

AVIS

Seul un personnel compétent disposant de connaissances approfondies dans les domaines du génie électrique et de la technologie de transmission est autorisé à tester et à configurer le variateur.

AVIS

Les jeux de données stockés sur des supports de données ne sont pas protégés contre les risques de modification par des personnes non autorisées. L'utilisation de données non vérifiées peut entraîner un mouvement inattendu. C'est pourquoi, après le chargement d'un jeu de données, vous devez toujours vérifier tous les paramètres avant d'activer le variateur.

3.7.2 Configuration à l'aide de KAS IDE

Le contrôleur et les variateurs doivent être adaptés aux spécifications de votre machine. Pour la plupart des applications, vous pouvez utiliser un PC et le logiciel KAS IDE ("Kollmorgen Automation Suite Integrated Development Environment) pour configurer les conditions de fonctionnement et les paramètres de votre système de mouvement. Le PC est connecté au PCMM par un câble Ethernet.

L'environnement de développement intégré KAS IDE contient des outils permettant de configurer le réseau EtherCAT, de configurer et de régler des variateurs Kollmorgen, de créer un programme API et de créer une HMI.

Le KAS IDE est disponible sur DVD ou sous forme électronique. Contactez votre représentant commercial Kollmorgen pour plus d'informations. Le moteur d'exécution du PCMM est disponible sur le KDN (<http://kdn.kollmorgen.com>) ou sur le site Web de Kollmorgen (<http://www.kollmorgen.com>).

Kollmorgen propose des cours de formation et d'initiation.

INFORMATION

Consultez le guide "*KAS getting started*" pour obtenir des instructions de configuration.

3.8 Dépannage du PCMM

En fonction des spécifications de votre installation, différentes causes peuvent être à l'origine de problèmes du contrôleur de mouvement. Les causes des erreurs dans les systèmes multi-axes peuvent s'avérer particulièrement complexes. Si vous ne parvenez pas à résoudre une erreur ou tout autre problème à l'aide du guide de dépannage présenté ci-dessous, le service client peut vous fournir une aide supplémentaire.

INFORMATION

Le chapitre "Messages d'erreur et d'avertissement" répertorie les erreurs les plus courantes (→ # 137). Consultez l'aide en ligne pour plus d'informations sur la suppression des erreurs.

4 Italiano

4.1 Informazioni generali	58
4.1.1 Note per la versione stampata (versione cartacea)	58
4.1.2 Simboli usati	58
4.1.3 Abbreviazioni usate	59
4.1.4 Normative applicate	59
4.2 Sicurezza	60
4.2.1 Prestare molta attenzione a quanto segue	60
4.2.2 Uso secondo le istruzioni	61
4.2.3 Uso vietato	61
4.3 Utilizzo	62
4.3.1 Trasporto	62
4.3.2 Imballaggio	62
4.3.3 Conservazione	62
4.3.4 Messa fuori servizio	62
4.3.5 Manutenzione e pulizia	63
4.3.6 Smontaggio	63
4.3.7 Riparazione	63
4.3.8 Smaltimento	64
4.4 Descrizione e dati tecnici	65
4.4.1 Il Motion Controller PCMM	65
4.4.2 Imballaggio fornito	65
4.4.3 Dati tecnici	66
4.5 Installazione meccanica	67
4.5.1 Note importanti	67
4.5.2 Guida all'installazione meccanica	67
4.6 Installazione elettrica	68
4.6.1 Note importanti	68
4.6.2 Guida all'installazione elettrica	68
4.6.3 Pulsanti (B2, B3)	69
4.6.4 Slot per scheda SD	70
4.6.5 Interfaccia di servizio (X32)	71
4.6.6 Interfaccia del motion bus (X6)	72
4.6.7 Selettore rotativo (RS1)	72
4.7 Configurazione	74
4.7.1 Note importanti	74
4.7.2 Configurazione con KAS IDE	74
4.8 Risoluzione dei guasti del PCMM	74

4.1 Informazioni generali

Il presente manuale, *Installation Manual PCMM*, contiene le informazioni necessarie per un'installazione e una configurazione sicura del motion controller PCMM.

Sono disponibili documenti aggiuntivi, tra cui:

- **Comunicazione EtherCAT** (formato PDF):
descrive come utilizzare il controller nelle applicazioni EtherCAT.
- **Comunicazione Ethernet/IP**: descrive come utilizzare il controller nelle applicazioni Ethernet/IP.
- **KAS Guida in linea** (formato WebHelp):
descrive come utilizzare il controller nelle applicazioni classiche. Inoltre fornisce suggerimenti per la configurazione e per ottimizzare le prestazioni del sistema. La guida in linea contiene la *Guida ai parametri e ai riferimenti dei comandi*, che fornisce informazioni sui parametri e sui comandi utilizzati per programmare il sistema di automazione.




Tutti i documenti sono disponibili dalla KDN (<http://kdn.kollmorgen.com>) o dal sito web Kollmorgen (<http://www.kollmorgen.com>).

4.1.1 Note per la versione stampata (versione cartacea)

A ogni prodotto è allegata una copia stampata del presente manuale. Per motivi ecologici, il documento stampato è stato ridotto al formato DIN A5.

INFORMAZIONI In caso di difficoltà a leggere il testo nel formato stampato ridotto, è possibile stampare e utilizzare la versione PDF in formato DIN A4 1:1. La versione PDF è memorizzata sul DVD del prodotto, oltre a essere disponibile sul sito Web di Kollmorgen.

4.1.2 Simboli usati

Simbolo	Indicazione
 PERICOLO	Indica una situazione pericolosa che, se non evitata, provoca morte o lesioni gravi.
 AVVERTENZA	Indica una situazione pericolosa che, se non evitata, provoca morte o lesioni gravi.
 ATTENZIONE	Indica una situazione pericolosa che, se non evitata, provoca lesioni non gravi o moderate.
AVVISO	Questo non è un simbolo di sicurezza. Questo simbolo indica una situazione pericolosa che, se non evitata, provoca danni materiali.
INFORMAZIONI	Questo non è un simbolo di sicurezza. Questo simbolo indica note importanti.

4.1.3 Abbreviazioni usate

Abbreviazione	Significato
(→ # 53)	“vedere 53” nel presente documento
CE	Comunità europea
CEM	Compatibilità elettromagnetica
PC	Personal computer
PCMM	P rogrammable C ontroller M ulti-Axis M aster.
PE	Terra protettiva
RCD	Dispositivo della corrente residua
SFF	Safe failure fraction
VAC	Volt, corrente alternata
VCC	Volt, corrente continua

4.1.4 Normative applicate

Normativa	Contenuti
ISO 4762	Viti a esagono incassato
ISO 12100	Sicurezza dei macchinari: concetti di base, principi generali per la progettazione
IEC 60085	Isolamento elettrico – Valutazione termica e designazione Manutenzione
IEC 60204	Sicurezza dei macchinari: apparecchiature elettriche dei macchinari
IEC 60364	Impianti elettrici a bassa tensione
IEC 60439	Quadro di comando a bassa tensione
IEC 60529	Classe di protezione internazionale (codice IP)
IEC 60721	Classificazione di condizioni ambientali
IEC 61000	Compatibilità elettromagnetica (EMC)
IEC 61131	Controller programmabili
IEC 61491	Apparecchiature elettriche di macchine industriali – Collegamento seriale per dati per comunicazioni in tempo reale tra controlli e servoamplificatori.
IEC UL 61010-1	Prescrizioni di sicurezza per apparecchi elettrici di misura, controllo e per utilizzo in laboratorio
IEC 82079	Preparazione di istruzioni – Struttura, contenuto e presentazione

IEC - International Electrotechnical Commission

ISO - International Organization for Standardization

UL - Underwriters Laboratories

4.2 Sicurezza

4.2.1 Prestare molta attenzione a quanto segue

Occorre personale specializzato

Solo personale debitamente qualificato può eseguire attività di trasporto, installazione, configurazione e manutenzione. Con personale qualificato si intendono persone che hanno dimestichezza con il trasporto, l'installazione, il montaggio, la messa in funzione e l'utilizzo del PCMM e che sfruttano le conoscenze in materia per lo svolgimento delle proprie mansioni:

- Trasporto: solo a cura di personale con nozioni di movimentazione di componenti sensibili alle cariche elettrostatiche.
- Disimballaggio: solo a cura di elettricisti qualificati.
- Installazione: solo a cura di elettricisti qualificati.
- Prove di base/configurazione: solo a cura di personale qualificato con nozioni in materia di elettrotecnica e tecnologia di azionamento.

Il personale qualificato deve conoscere e rispettare le norme ISO 12100 / IEC 60364 / IEC 60664 e le disposizioni antinfortunistiche nazionali.

Leggere la documentazione in materia

Leggere la documentazione disponibile prima di procedere all'installazione e alla messa in funzione. L'utilizzo improprio il PCMM può provocare danni alle persone o alle cose. L'operatore di sistemi che utilizzano il PCMM deve assicurarsi che tutto il personale che lavora con il sistema di automazione abbia letto e compreso il manuale prima di usare il sistema.

Controllare la revisione hardware

Controllare il numero di revisione hardware del prodotto (vedere l'etichetta del prodotto). Questo numero è il collegamento tra il prodotto e il manuale e deve corrispondere a quello riportato sulla copertina del manuale.

Prestare attenzione ai dati tecnici

Attenersi ai dati tecnici e alle specifiche relative ai collegamenti (targhetta e documentazione). In caso di superamento dei valori di tensione o corrente ammessi potrebbero verificarsi danni al PCMM.

Eeguire una valutazione dei rischi

Il costruttore della macchina deve eseguire una valutazione dei rischi per la macchina ed adottare misure adeguate per assicurare che movimenti imprevisti non possano causare lesioni o danni a persone o cose. Tale valutazione potrebbe anche mettere in rilievo requisiti supplementari per il personale specializzato.

Prestare attenzione ai componenti sensibili alle cariche elettrostatiche.

I PCMM contengono componenti sensibili alle cariche elettrostatiche che potrebbero venire danneggiati in caso di uso improprio. Eliminare le cariche elettrostatiche dal proprio corpo prima di toccare il PCMM. Evitare il contatto con materiali altamente isolanti (tessuti sintetici, pellicole di plastica, eccetera). Collocare il PCMM su una superficie conduttiva.

Non modificare mai i prodotti

Non è consentito modificare il PCMM senza il permesso del costruttore. L'apertura dell'alloggiamento comporta la decadenza della garanzia.

4.2.2 Uso secondo le istruzioni

I PCMM sono destinati al controllo degli azionamenti Kollmorgen in un sistema di servoazionamento.

I PCMM sono componenti incorporati in impianti o macchinari elettrici e possono funzionare esclusivamente come componenti integrati di tali impianti o macchinari. Il costruttore della macchina utilizzata con un PCMM deve eseguire una valutazione dei rischi per la macchina.

Quando i PCMM sono integrati in macchinari o impianti, il sistema di azionamento non va utilizzato finché non è stato accertato che il macchinario o l'impianto è conforme ai requisiti delle normative locali.

Armadio elettrico e cablaggio

Il PCMM deve essere utilizzato esclusivamente in un armadio di controllo chiuso (collegate in modo permanente) e adatto alle condizioni ambientali (→ # 66). La ventilazione o il raffreddamento possono essere necessari per mantenere la temperatura dell'armadio elettrico a un livello inferiore a 55 °C.

Utilizzare esclusivamente conduttori di rame per il cablaggio. Per le sezioni dei conduttori fare riferimento alla norma IEC 60204 (in alternativa per le sezioni AWG: NEC tabella 310-16, colonna 75°C).

Alimentazione

Il PCMM può essere alimentato da reti industriali a 24 V CC.

4.2.3 Uso vietato

Un uso diverso da quanto descritto nel capitolo "Uso secondo le istruzioni" non è previsto e può provocare lesioni personali e danni materiali. Non usare il PCMM con una macchina non conforme alle direttive o normative nazionali corrispondenti. È inoltre vietato l'uso del PCMM nei seguenti ambienti:

- aree potenzialmente esplosive
- ambienti con acidi corrosivi e/o elettricamente conduttivi, soluzioni alcaline, oli, vapori, polveri

4.3 Utilizzo

4.3.1 Trasporto

Trasportare il PCMM secondo IEC 61800-2 procedendo come segue:

- affidare il trasporto esclusivamente a personale qualificato, mantenere il dispositivo nell'imballaggio riciclabile originale del produttore evitare urti durante il trasporto
- conservare a un'altezza di impilaggio pari o inferiore a 8 cartoni.
- trasportare solo entro intervalli di temperatura specifici: da -25 a +70°C, tasso di variazione max. 20 K/ora, classe 2K3.
- trasportare solo entro intervalli di umidità specifici: max. 95% di umidità relativa, senza condensa, classe 2K3.

AVVISO

I PCMM contengono componenti sensibili alle cariche elettrostatiche che potrebbero venire danneggiati in caso di uso improprio. Eliminare le cariche elettrostatiche dal proprio corpo prima di toccare il PCMM. Evitare il contatto con materiali altamente isolanti come tessuti artificiali o pellicole di plastica. Collocare il PCMM su una superficie conduttiva.

Se l'imballaggio è danneggiato, controllare che l'unità non presenti danni visibili. Informare il trasportatore e il costruttore di eventuali danni all'imballaggio o al prodotto.

4.3.2 Imballaggio

L'imballaggio del PCMM è composto da cartone riciclabile con inserti e un'etichetta all'esterno della scatola.

Dimensioni dell'imballaggio (AxLxP): 107 mm x 268 mm x 220 mm

Peso totale: 1,2 kg

4.3.3 Conservazione

Conservare il PCMM secondo IEC 61800-2 procedendo come segue:

- solo nell'imballaggio riciclabile originale del produttore
- conservare a un'altezza di impilaggio pari o inferiore a 8 cartoni.
- conservare soltanto entro intervalli di temperatura specifici: da -25 a +55°C, tasso di variazione max. 20 K/ora, classe 1K4.
- conservare soltanto entro intervalli di umidità specifici: dal 5 al 95% di umidità relativa, senza condensa, classe 1K3.

4.3.4 Messa fuori servizio

AVVISO

La messa fuori servizio di parti del sistema di azionamento può avvenire unicamente ad opera di personale qualificato specializzato in elettrotecnica.

- Disinserire l'interruttore generale dell'armadio elettrico.
- Mettere in sicurezza il sistema per evitarne il riavvio accidentale.
- Bloccare l'interruttore principale.

4.3.5 Manutenzione e pulizia

Lo strumento non necessita di alcuna manutenzione. L'apertura degli strumenti comporta l'estinzione della validità della garanzia. La parte interna dell'unità può essere pulita soltanto dal costruttore.

AVVISO

Non immergere il strumento né spruzzare sulla sua superficie. Evitare l'ingresso di liquidi nel dispositivo.

Per pulire la parte esterna del servoamplificatore:

1. Messa fuori servizio del dispositivo (vedere il capitolo 4.3.4 "Messa fuori servizio").
2. Alloggiamento: pulire con isopropanolo o una soluzione detergente simile
 - ATTENZIONE** : Facilmente infiammabile! Pericolo di lesioni da esplosione e incendio.
 - Attenersi alle indicazioni di sicurezza riportate sulla confezione del detergente.
 - Dopo la pulizia attendere almeno 30 minuti prima di rimettere in funzione il dispositivo.
3. Griglia protettiva o ventola: pulire con una spazzola asciutta

4.3.6 Smontaggio

AVVISO

La sostituzione di componenti del sistema può essere svolta unicamente da personale specializzato con conoscenze nel campo dell'elettrotecnica.

1. Messa fuori servizio del dispositivo (vedere il capitolo 4.3.4 "Messa fuori servizio").
2. Rimuovere i connettori. Scollegare il collegamento della terra potenziale per ultimo.
3. Smontaggio: Allentare le viti di fissaggio e rimuovere il dispositivo.

4.3.7 Riparazione

AVVISO

La sostituzione di componenti del sistema può essere svolta unicamente da personale specializzato con conoscenze nel campo dell'elettrotecnica.

ATTENZIONE: Avvio automatico! Durante le operazioni di sostituzione può verificarsi una combinazione di pericoli ed eventi diversi.

- I lavori sull'impianto elettrico possono essere eseguiti unicamente da personale qualificato e debitamente addestrato, nel rispetto della normativa vigente in materia di sicurezza sul lavoro e utilizzando le attrezzature di protezione personale prescritte.

Sostituzione PCMM

La riparazione del dispositivo può essere effettuata solo dal costruttore. L'apertura del dispositivo comporta l'annullamento della garanzia.

1. Messa fuori servizio del dispositivo (vedere il capitolo 4.3.4 "Messa fuori servizio").
2. Smontare il dispositivo (vedi capitolo 4.3.6 "Smontaggio").
3. Inviare il dispositivo al costruttore.
4. Installare un nuovo dispositivo come descritto nel presente manuale.
5. Mettere in funzione il sistema come descritto nel presente manuale.

Sostituzione di altri componenti del sistema di azionamento

Se occorre sostituire componenti del sistema di azionamento (ad esempio cavi) procedere come segue:

1. Messa fuori servizio del dispositivo (vedere il capitolo 4.3.4 "Messa fuori servizio").
2. Sostituire i componenti.
3. Verificare che tutti i collegamenti ad innesto siano correttamente in posizione.
4. Mettere in funzione il sistema come descritto nel presente manuale.

4.3.8 Smaltimento

AVVISO

Per il corretto smaltimento del dispositivo rivolgersi ad un ente certificato per il recupero dei rifiuti di apparecchiature elettroniche.

In conformità alle linee guida della direttiva 2002/96/CE (RAEE) e simili, il costruttore accetta la restituzione di vecchi dispositivi ed accessori per uno smaltimento professionale. I costi di trasporto sono a carico del mittente.

Spedire i dispositivi utilizzando la confezione originale all'indirizzo del costruttore riportato nella tabella sottostante.

North America	South America
KOLLMORGEN 201 West Rock Road Radford, VA 24141, USA	KOLLMORGEN Avenida Tamboré - 1077 Tamboré Barueri - SP Brasil CEP: 06460-000, Brazil
Europe	Asia
KOLLMORGEN Europe GmbH Pempelfurtstr. 1 40880 Ratingen, Germany	KOLLMORGEN Floor 4, Building 9, No. 518, North Fuquan Road, Changning District, Shanghai 200335, China

4.4 Descrizione e dati tecnici

4.4.1 Il Motion Controller PCMM

PCMM significa **P**rogrammable **C**ontroller **M**ulti-Axis **M**aster. Il controller include un controllo di movimento programmabile che utilizza i motori PLCOpen o PipeNetwork e PLC con tutti e 5 i linguaggi secondo IEC 61131.

EtherCAT collega PCMM agli altri componenti del sistema di azionamento.

4.4.2 Imballaggio fornito

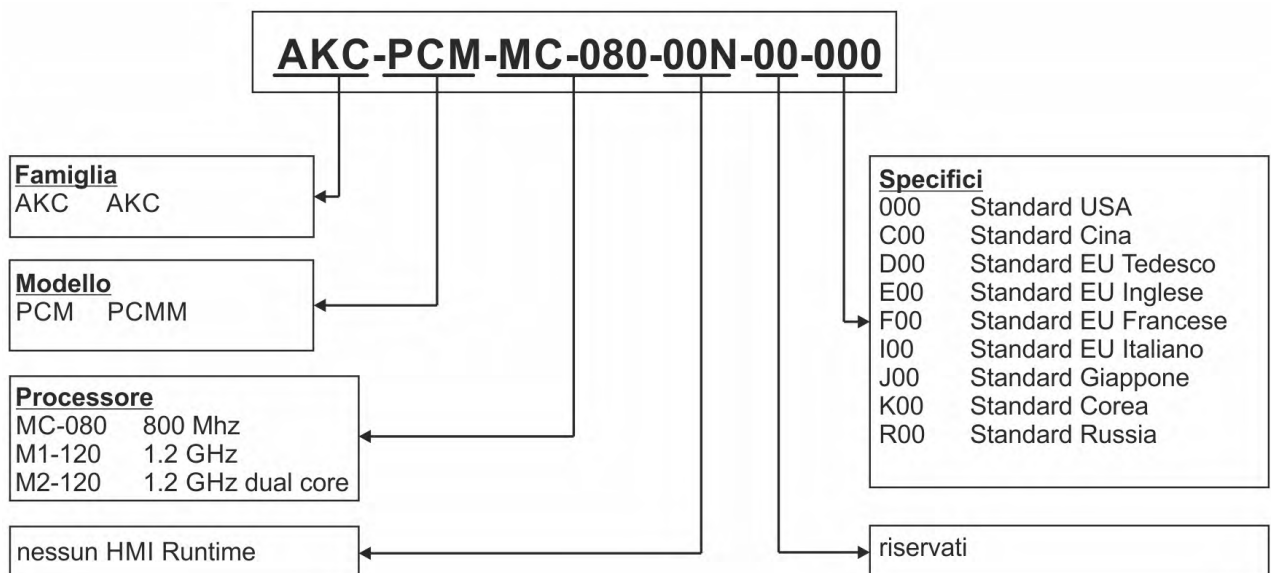
Ordinando un controller PCMM si riceve una confezione contenente i seguenti articoli:

- PCMM
- copia cartacea della *Installation Manual PCMM*
- connettori X1, X35 e X36

INFORMAZIONI

I connettori SubD e RJ45 non sono compresi nella confezione.

Schema del codice articolo



4.4.3 Dati tecnici

Dati nominali

Dati elettrici	Unità	PCMM
Tensione di alimentazione nominale vedere (→ # 133)	V CC	24 V ±10%
Corrente nominale in ingresso	A	1,25
Potenza nominale in ingresso	W	30
Frequenza di accensione/spengimento ammessa	1/h	30
Dati meccanici		
Peso	kg	0,45
Dimensioni (AxLxP) vedere (→ # 130)	mm	174 x 50 x 111,5
Dimensioni (AxLxP) con connettori vedere (→ # 130)	mm	208 x 50 x 147,5
Coppie di serraggio raccomandate		
X1, X35, X36	Nm (in-lbf)	da 0,2 a 0,25 (2)
Blocco PE	Nm (in-lbf)	1,7 (15)

Fusibili

Circuito	Max. amperaggio	Esempio classe J Cooper Bussmann	Esempio classe J Ferraz Shawmut
Alimentazione 24 V CC	8 A (ritardo)	LPJ8SP/DFJ8	AJT8

Ingressi/uscite

Interfaccia	Dati elettrici
Ingressi digitali vedere (→ # 135)	<ul style="list-style-type: none"> ● ON: da 3,5 V CC a 30 V CC, da 2 mA a 15 mA ● OFF: da -2 V CC a 2 V CC, max. 15 mA ● Isolamento galvanico per 250 V CC ● Frequenza di aggiornamento: software 250 µs ● Tipo source o sink
Uscite digitali vedere (→ # 136)	<ul style="list-style-type: none"> ● Max. 30 V CC, 100 mA ● A prova di cortocircuito ● Isolamento galvanico per 250 V CC ● Frequenza di aggiornamento: 1 ms ● Attive basse o attive alte

Condizioni ambientali, ventilazione e posizione di montaggio

Conservazione, trasporto	(→ # 62)
Temperatura ambiente in uso	Da 0 a +55°C in condizioni nominali
Umidità in uso	Dal 5 all'85% di umidità relativa, senza condensa, classe 3K3 secondo IEC 60721-3-3
Altitudine	Fino a 2500 metri s.l.m. senza limitazioni
Livello d'inquinamento	Livello d'inquinamento 2 secondo IEC 61010-1
Vibrazioni	Classe 3M1 secondo IEC 60721-3-3
Tipo di protezione	IP 20 secondo IEC 60529
Posizione di montaggio	Verticale
Ventilazione	Convezione naturale

4.5 Installazione meccanica

INFORMAZIONI Per una panoramica delle dimensioni vedere (→ # 130).

4.5.1 Note importanti

AVVISO

Proteggere il PCMM da sollecitazioni non ammesse. In particolare, non permettere che venga piegato alcun componente o che venga modificata alcuna distanza d'isolamento durante il trasporto e la movimentazione. Evitare il contatto con componenti elettrici e contatti.

AVVISO

In caso di surriscaldamento il PCMM si spegne da solo. Assicurarsi che vi sia un flusso di aria fresca filtrata adeguato sul fondo dell'armadio di controllo o utilizzare uno scambiatore di calore.

AVVISO

Non montare dispositivi che generano campi magnetici direttamente accanto al PCMM. Campi magnetici forti possono influenzare direttamente i componenti interni. Installare dispositivi che generano campi magnetici ad una certa distanza dal PCMM e/o schermare i campi magnetici.

4.5.2 Guida all'installazione meccanica

Per installare il PCMM sono necessari i seguenti attrezzi (come dotazione minima); installazioni specifiche potrebbero richiedere attrezzi aggiuntivi:

- viti a esagono incassato M4 (ISO 4762)
- chiave a brugola con manico a T da 3 mm
- N. 2 cacciaviti per viti a testa svasata
- cacciavite scanalato piccolo

Installare l'unità PCMM procedendo come segue:

1. Preparare il sito.
Montare PCMM in un armadio di controllo chiuso. Il sito deve essere privo di materiali conduttivi o corrosivi.
2. Controllare la ventilazione.
Verificare che non vi siano ostacoli alla ventilazione del PCMM e mantenere la temperatura ambiente entro i limiti ammessi (→ # 66). Mantenere lo spazio necessario al di sopra e al di sotto del PCMM.
3. Controllare il sistema di raffreddamento.
Se si usano sistemi di raffreddamento per l'armadio di controllo, posizionare il sistema di raffreddamento in modo tale che l'acqua di condensa non possa cadere sul PCMM o sui dispositivi periferici.
4. Montare il PCMM.
Assemblare il PCMM e l'alimentazione l'uno accanto all'altra sulla piastra di montaggio conduttiva messa a terra all'interno dell'armadio.
5. Mettere a terra il PCMM.
Mettere a terra la piastra di montaggio, l'alloggiamento del PCMM e CNC-GND del sistema di controllo.

4.6 Installazione elettrica

INFORMAZIONI Per una panoramica dei connettori e dei collegamenti I/O (→ # 131).

4.6.1 Note importanti

AVVISO

Solo elettricisti qualificati possono installare il sistema. Usare i cavi verdi con una o più strisce gialle solo per la terra protettiva (PE).

AVVISO

Una protezione esterna mediante fusibili eccessivamente elevata può danneggiare cavi e dispositivi. I fusibili dell'alimentazione da 24 V devono essere installati dall'utente, valori ottimali (→ # 66).

INFORMAZIONI

È consentito usare il software di configurazione (KAS IDE) per modificare le impostazioni del dispositivo. Qualsiasi altra modifica può invalidare la garanzia.

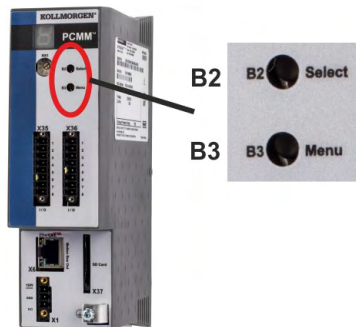
4.6.2 Guida all'installazione elettrica

Installare l'impianto elettrico del PCMM procedendo come segue:

1. Scegliere i cavi in conformità con la norma IEC 60204.
2. Installare la schermatura e mettere a terra il PCMM.
Mettere a terra la piastra di montaggio e CNC-GND del sistema di controllo.
3. Collegare tutte le interfacce in base agli schemi di cablaggio in (→ # 131).

4.6.3 Pulsanti (B2, B3)

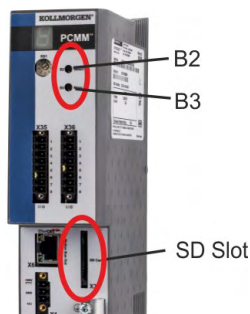
I pulsanti possono essere utilizzati per avviare funzioni predefinite.



Funzione	Pulsante	Commenti
Funzioni all'avvio (tenere premuto il pulsante durante la sequenza di accensione all'avvio)		
Modalità di ripristino	B2	Tenere premuto per l'avvio in modalità di ripristino.
Menu	B3	Tenere premuto per bloccare l'avvio automatico delle applicazioni e per scorrere tra le voci di menu.
Funzioni operative (premere il pulsante durante la normale modalità di funzionamento)		
Menu	B3	Premere per scorrere tra le voci di menu. Le voci del menu verranno visualizzate sul display LED a 7 segmenti ripetutamente per 10 s e potranno essere selezionate premendo B2.
Selezione voce di menu	B2	Premere quando viene visualizzata la voce desiderata per eseguire un'azione. Applicazione in esecuzione , voci di menu disponibili: <ul style="list-style-type: none"> ● Indirizzo "IP" ● "arresto" applicazione (conferma) Nessuna applicazione in esecuzione , voci di menu disponibili: <ul style="list-style-type: none"> ● Indirizzo "IP" ● "avvio" applicazione (conferma) ● "ripristino" delle impostazioni predefinite (conferma) ● "backup" sulla scheda SD (conferma) ● "ripristino" dalla scheda SD (conferma)
Conferma	B2	Se per la voce di menu selezionata occorre una conferma, viene visualizzato "y" per 10 s, premere B2 per confermare.

4.6.4 Slot per scheda SD

Nel PCMM è presente una slot per una scheda SD e con i pulsanti B2 e B3 è possibile attivare il trasferimento di file dal PCMM alla scheda di memoria SD e viceversa. Queste funzioni possono essere avviate anche dal software KAS IDE. Per una descrizione dettagliata consultare la guida in linea KAS.



Le operazioni di backup/ripristino (da PCMM a SD o da SD a PCMM) non sono possibili se è in esecuzione un'applicazione.

INFORMAZIONI

Arrestare l'applicazione dal browser web o usare l'"arresto" con i pulsanti B2/B3 prima di avviare le funzioni della scheda SD.

Se si verifica un guasto durante le operazioni di salvataggio/caricamento, il numero di guasto viene visualizzato nel display a una cifra con la lettera E seguita da due numeri. Codici di errore (→ # 137).

Tipi di scheda SD supportati

Le schede SD sono preformattate dal costruttore. La tabella seguente riporta i tipi di scheda SD e indica se sono supportate dal PCMM.

Tipo di SD	File system	Capacità	Supportata
SD (SDSC)	FAT16	da 1 MB a 2 GB	Sì
SDHC	FAT32	da 4 GB a 32 GB	Sì
SDXC	exFAT (Microsoft)	>32 GB a 2 TB	NO

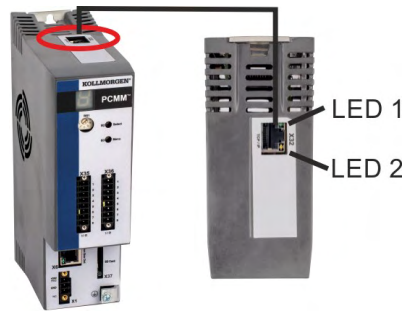
Caratteristiche

Se una scheda SD è inserita nell'apposita slot e non è in esecuzione alcuna applicazione, il menu a pulsanti (avviato con B3) mostra le possibili funzioni di trasferimento dati:

- "backup" per copiare firmware, configurazioni, applicazione utente e file di dati utente dal PCMM alla scheda SD.
- "ripristino" per caricare firmware, configurazione, applicazione utente e file di dati utente dalla scheda SD al PCMM.

4.6.5 Interfaccia di servizio (X32)

I parametri di funzionamento, controllo della posizione e blocco del movimento possono essere impostati utilizzando il software di configurazione su un normale PC.



Pin	Segnale	Pin	Segnale
1	Trasmissione +	5	n.c.
2	Trasmissione -	6	Ricezione -
3	Ricezione +	7	n.c.
4	n.c.	8	n.c.

Protocollo	Tipo
Modbus TCP	Service Bus
Ethernet TCP/IP	Service Bus

Collegare l'interfaccia di servizio (X32) del PCMM a un'interfaccia Ethernet sul PC direttamente o tramite un hub/switch di rete, **mentre l'alimentazione alle apparecchiature è disattivata**. Usare cavi Ethernet Cat. 5 per il collegamento (in alcuni casi si possono usare anche cavi incrociati).

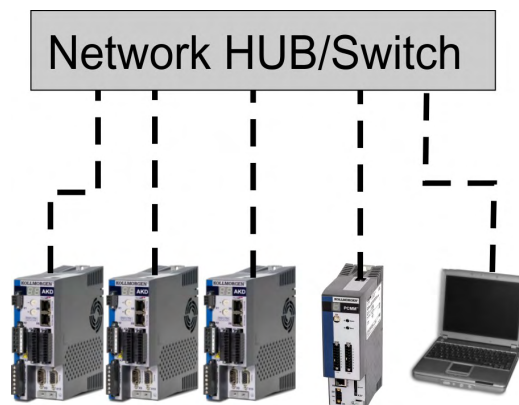
AVVISO

Non collegare il cavo del motion bus all'interfaccia di servizio X32. Il cavo del motion bus va collegato a X6.

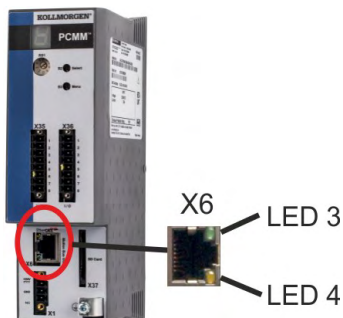
Verificare che entrambi i LED di collegamento sul PCMM (LED verde sul connettore RJ45) e sul PC (o hub/switch di rete) siano accesi. In caso affermativo, si è stabilito un buon collegamento elettrico.

Connettore	LED#	Colore	Nome	Indicazione
X32	LED1	Verde	Link	Acceso = ricezione valida
	LED2	Giallo	Attività	Intermittente = Trasmetti o Ricevi pacchetto

Configurazioni di rete possibili



4.6.6 Interfaccia del motion bus (X6)



Pin	Segnale
1	Ricezione +
2	Ricezione -
3	Trasmissione +
4, 5	n.c.
6	Trasmissione -
7, 8	n.c.

AVVISO

Non collegare il cavo di servizio Ethernet per il PC all'interfaccia del motion bus X6. Il cavo di servizio Ethernet va collegato a X32.

Connettore	LED#	Colore	Nome	Indicazione
X6	LED3	Verde	Link	Acceso = ricezione valida
	LED4	Giallo	Attività	Intermittente = Trasmetti o Ricevi pacchetto

4.6.7 Selettore rotativo (RS1)

Il selettore rotativo RS1 può essere utilizzato per impostare l'indirizzo IP del PCMM. L'indirizzo IP configurato (a seconda della posizione corrente del selettore RS1) verrà visualizzato sul display a 7 segmenti al momento del collegamento del cavo Ethernet e all'accensione se è collegato un cavo Ethernet. Se invece non è collegato alcun cavo Ethernet, il display non mostrerà alcun indirizzo IP.



Impostazione del selettore rotativo	PCMM Indirizzo IP
0	DHCP/indirizzo AutoIP. L'indirizzo IP del dispositivo si ottiene dal server DHCP della rete. Se non vi è alcun server DHCP, l'indirizzo IP è un indirizzo AutoIP (generato internamente seguendo il protocollo AutoIP con il formato 169.254.xx.xx).
1	Indirizzo IP statico. L'indirizzo IP è configurabile mediante software da un browser web. L'indirizzo IP predefinito con il selettore in posizione 1 è 192.168.1.101. Per configurare l'indirizzo IP aprire un browser web e digitare l'indirizzo IP nella riga dell'URL. Verrà visualizzata la pagina web PCMM. Andare alla scheda Impostazioni e quindi alla scheda Rete per configurare l'indirizzo IP statico per il PCMM.
da 2 a 9	Indirizzo IP statico. L'indirizzo IP è 192.168.0.10n, dove n è il numero indicato dal selettore rotativo. Questa impostazione genera indirizzi in un intervallo compreso tra 192.168.0.102 e 192.168.0.109. Esempio: se RS1 è impostato su 5 l'indirizzo IP è 192.168.0.105

INFORMAZIONI

La maschera di sottorete del PC va impostata su 255.255.255.0 a 255.255.255.128

Indirizzamento IP statico

Per collegare il PCMM direttamente ad un PC occorre utilizzare un indirizzamento IP statico. Impostare il selettore rotativo su un numero da 2 a 9 (vedere tabella sopra)

Indirizzo IP dinamico (DHCP e Auto-IP)

Con RS1 impostato su 0 il PCMM è in modalità DHCP. Il PCMM acquisisce il proprio indirizzo IP da un server DHCP esterno, se presente nella rete. Se non è presente alcun server DHCP, il dispositivo assume un indirizzo IP privato automatico con formato 169.254.x.x.

Se il PC è collegato automaticamente al dispositivo ed è impostato per ottenere un indirizzo IP automaticamente nelle impostazioni TCP/IP, viene stabilito un collegamento con entrambi i dispositivi usando indirizzi compatibili generati automaticamente. Un PC può impiegare fino a 60 secondi per configurare un indirizzo IP privato automatico (169.254.x.x).

Modifica dell'indirizzo IP

Se il selettore viene modificato mentre viene fornita alimentazione logica a 24 V al PCMM, è necessario spegnere e poi riaccendere la tensione di alimentazione a 24 V. Questa azione resetta l'indirizzo.

4.7 Configurazione

4.7.1 Note importanti

AVVISO

Prima di eseguire i test e la configurazione, il costruttore della macchina deve eseguire una valutazione dei rischi per la macchina e adottare misure adeguate per evitare che movimenti imprevisti causino lesioni o danni a persone o cose.

AVVISO

Solo personale specializzato con ampie nozioni nel campo dell'elettronica e della tecnologia di azionamento può eseguire i test e la configurazione del servoamplificatore.

AVVISO

I set di dati che sono stati memorizzati su supporto possono essere modificati accidentalmente da altre persone. Se si usano dati non controllati può verificarsi un movimento imprevisto. Dopo aver caricato un set di dati, occorre pertanto controllare sempre tutti i parametri prima di abilitare l'azionamento.

4.7.2 Configurazione con KAS IDE

Il controller e gli azionamenti devono essere adattati ai requisiti della macchina cui sono collegati. Per la maggior parte delle applicazioni si può usare un PC e il software KAS IDE ("Kollmorgen Automation Suite Integrated development environment") per configurare le condizioni e i parametri di esercizio del sistema di automazione. Il PC è collegato al PCMM tramite un cavo Ethernet.

L'ambiente di sviluppo integrato KAS IDE contiene gli strumenti per configurare la rete EtherCAT, impostare e mettere a punto gli azionamenti Kollmorgen, creare un programma PLC e creare una HMI.

Il KAS IDE è disponibile in DVD o può essere inviato per via elettronica. Contattare il rivenditore Kollmorgen per maggiori informazioni. Il software PCMM è disponibile dalla KDN (<http://kdn.kollmorgen.com>) o dal sito web Kollmorgen (<http://www.kollmorgen.com>).

Kollmorgen offre corsi di formazione e addestramento.

INFORMAZIONI

Vedere la guida "*Primi passi con KAS*" per procedere con la configurazione.

4.8 Risoluzione dei guasti del PCMM

Possono esservi numerose ragioni per un problema al motion controller, a seconda delle condizioni dell'impianto. Le cause di un guasto in sistemi multiasse possono essere particolarmente complesse. Se non si riesce a risolvere un guasto o un altro problema usando la guida alla risoluzione dei guasti presentata di seguito, l'assistenza clienti può offrire ulteriore aiuto.

INFORMAZIONI

I guasti più frequenti sono elencati al capitolo "Messaggi di errore e di avviso" (→ # 137). Nella guida in linea sono disponibili ulteriori dettagli sulla risoluzione dei guasti.

5 Português

5.1 Geral	76
5.1.1 Observações para a edição impressa (versão em papel)	76
5.1.2 Símbolos utilizados	76
5.1.3 Abreviaturas utilizadas	77
5.1.4 Normas utilizadas	77
5.2 Segurança	78
5.2.1 Deve-se prestar atenção ao que se segue	78
5.2.2 Utilizar conforme indicado	79
5.2.3 Utilização proibida	79
5.3 Manuseio	80
5.3.1 Transporte	80
5.3.2 Embalagem	80
5.3.3 Armazenamento	80
5.3.4 Desativando	80
5.3.5 Manutenção e limpeza	81
5.3.6 Desinstalando	81
5.3.7 Reparo	81
5.3.8 Eliminação	82
5.4 Dados e descrição técnica	83
5.4.1 O controlador de movimento PCMM	83
5.4.2 Embalagem fornecida	83
5.4.3 Dados técnicos	84
5.5 Instalação mecânica	85
5.5.1 Observações importantes	85
5.5.2 Guia para a instalação mecânica	85
5.6 Instalação elétrica	86
5.6.1 Observações importantes	86
5.6.2 Guia para a instalação elétrica	86
5.6.3 Botões (B2, B3)	87
5.6.4 Abertura para cartão SD	88
5.6.5 Interface de serviço (X32)	89
5.6.6 Interface de rede de movimento (X6)	90
5.6.7 Chave rotativa (RS1)	90
5.7 Configuração	92
5.7.1 Observações importantes	92
5.7.2 Configuração com o KAS IDE	92
5.8 Solução de problemas do PCMM	92

5.1 Geral

Este manual, *Installation Manual PCMM*, apresenta as informações relevantes para a instalação e configuração seguras do controlador de movimento PCMM.

Os documentos adicionais incluem o seguinte:

- **Comunicação EtherCAT** (formato PDF):
Descreve o modo de utilização do controlador em aplicações EtherCAT.
- **Comunicação Ethernet/IP**: Descreve o modo de utilização do controlador em aplicações Ethernet/IP.
- **Ajuda Online KAS** (formato WebHelp):
Descreve o modo de utilização do controlador em aplicações comuns. Também oferece dicas para a configuração e maximização do desempenho do seu sistema. A Ajuda Online inclui o *Guia de referência de comandos e parâmetros* que fornece informações para os parâmetros e comandos utilizados no programa do sistema de movimento.




Todos os documentos estão disponíveis no KDN (<http://kdn.kollmorgen.com>) ou no site da Kollmorgen (<http://www.kollmorgen.com>).

5.1.1 Observações para a edição impressa (versão em papel)

Uma versão impressa do manual é inclusa com cada produto. Por motivos ambientais, o documento teve seu tamanho reduzido e foi impresso em DIN A5.

INFORMAÇÃO Se você tiver dificuldade em ler o tamanho da fonte na versão impressa reduzida, você pode imprimir e usar a versão PDF em DIN A4, no formato 1:1. Você pode encontrar a versão PDF no DVD que acompanha o produto.

5.1.2 Símbolos utilizados

Símbolo	Indicação
 PERIGO	Indica uma situação de perigo que, se não for evitada, resultará em morte ou sérias lesões.
 ATENÇÃO	Indica uma situação de perigo que, se não for evitada, pode resultar em morte ou sérias lesões.
 CUIDADO	Indica uma situação de perigo que, se não for evitada, pode resultar em lesões pequenas ou moderadas.
AVISO	Indica situações que, se não forem evitadas, podem resultar em danos materiais.
INFORMAÇÃO	Este não é um símbolo de segurança. Este símbolo indica observações importantes.

5.1.3 Abreviaturas utilizadas

Abreviatura	Significado
(→ n.º 53)	"consulte a página 53" deste documento
CE	Comunidade europeia
CEM	Compatibilidade eletromagnética
PC	Computador pessoal
PCMM	Controlador Programável Multi-Eixos Mestre
TP	Terra de proteção
DCR	Dispositivo de corrente residual
FFS	Fração de falha segura
VCA	Volts, corrente alternada
VCC	Volts, corrente contínua

5.1.4 Normas utilizadas

Norma	Conteúdo
ISO 4762	Parafusos de cabeça cilíndrica com sextavado interno
ISO 12100	Segurança de máquinas: Noções fundamentais, princípios gerais para projetos
IEC 60085	Isolamento elétrico - avaliação térmica e designação de manutenção
IEC 60204	Segurança de máquinas: Equipamento elétrico de máquinas
IEC 60364	Instalações elétricas de baixa tensão
IEC 60439	Montagem de painéis de baixa tensão
IEC 60529	Classificação de proteção internacional (código IP)
IEC 60721	Classificação das condições ambientais
IEC 61000	Compatibilidade eletromagnética (CEM)
IEC 61131	Controladores programáveis
IEC 61491	Equipamentos elétricos de máquinas industriais – conexão de dados seriais para comunicações em tempo real entre controladores e drives.
IEC UL 61010-1	Requisitos de segurança para equipamento elétrico de medição, comando e de uso em laboratório
IEC 82079	Preparação de instruções para utilização - estruturação, conteúdo e apresentação

IEC - Comissão Eletrotécnica Internacional

ISO - Organização Internacional de Normalização

UL - Underwriters Laboratories

5.2 Segurança

5.2.1 Deve-se prestar atenção ao que se segue

São necessários funcionários especializados!

Apenas o pessoal adequadamente qualificado poderá desempenhar tarefas como, transporte, montagem, configuração e manutenção. O pessoal especializado e qualificado são pessoas familiares com o transporte, instalação, montagem, colocação em funcionamento e operação do PCMM e que usam as suas qualificações mínimas relevantes para efetuar as suas funções:

- Transporte: efetuado apenas por pessoal com conhecimentos sobre o manuseamento de componentes sensíveis à eletrostática.
- Desembalagem: apenas por pessoal qualificado na área da eletricidade.
- Instalação: apenas por pessoal qualificado na área da eletricidade.
- Testes básicos/configuração: apenas por pessoal qualificado com conhecimentos de engenharia elétrica e tecnologia de acionamento

O pessoal qualificado deverá conhecer e observar as normas ISO 12100/IEC 60364/IEC 60664 e os regulamentos de prevenção de acidentes nacionais.

Leia a documentação!

Leia a documentação disponível antes de efetuar a instalação e colocação em funcionamento do equipamento. O manuseamento inadequado da unidade poderá causar danos a pessoas ou bens. O operador de sistemas a utilizar o PCMM deve solicitar a todo o pessoal que trabalhe com o sistema de movimento que leia e compreenda o manual, antes da utilização do sistema.

Verifique a revisão do hardware!

Verifique o Número da revisão de hardware do produto (consulte a etiqueta do produto). Este número é a ligação entre o seu produto e o manual e deverá corresponder ao Número da revisão de hardware na página de rosto do manual.

Preste atenção aos dados técnicos!

Respeite os dados técnicos e as especificações sobre as condições de ligação (placa de características e documentação). Se os valores de tensão ou corrente permitidos forem excedidos, poderá danificar o PCMM.

Execute uma avaliação de riscos!

O fabricante da máquina deve gerar uma avaliação de riscos da máquina e tomar medidas adequadas para se certificar de que movimentos inesperados não irão causar ferimentos ou danos a quaisquer pessoas ou bens. Da avaliação de riscos poderão resultar requisitos adicionais da parte do pessoal especializado.

Observe os componentes sensíveis à eletrostática!

O PCMM contém componentes sensíveis à eletrostática que podem ser danificados devido ao manuseamento incorreto. Elimine a descarga eletrostática do seu corpo antes de tocar no PCMM. Evite o contacto com materiais altamente isolantes (tecidos artificiais, película de plástico, etc.). Coloque o PCMM numa superfície condutora.

Nunca modifique os produtos!

Não é permitido modificar o PCMM sem a permissão do fabricante. A abertura da caixa causa a perda da garantia.

5.2.2 Utilizar conforme indicado

Os PCMM são destinados ao controle de drives Kollmorgen num sistema servo acionado.

Os PCMM são componentes integrados em máquinas ou instalações elétricas e só podem ser operados como componentes integrais destas máquinas ou instalações. O fabricante da máquina com um PCMM deve gerar uma avaliação de riscos da máquina.

Quando os PCMM são integrados nas máquinas ou instalações, o sistema de acionamento não deve ser utilizado até que tenha sido estabelecido que a máquina ou instalação preenche os requisitos das diretivas regionais.

Quadro e ligações elétricas

O PCMM deve ser operado apenas num quadro de comando fechado (permanentemente ligado) que seja adequado às condições ambientais (→ # 84). Poderá ser necessária ventilação ou refrigeração para manter a temperatura dentro do quadro abaixo dos 55 °C.

Utilize apenas condutores de cobre para as ligações elétricas. As secções transversais do condutor podem ser derivadas da norma IEC 60204 (alternativamente, para secções transversais AWG: Tabela NEC 310-16, coluna de 75 °C).

Fonte de alimentação

O PCMM pode ser alimentado por redes de alimentação industrial de 24 VCC.

5.2.3 Utilização proibida

Outra utilização além da descrita no capítulo "Utilizar conforme indicado" não é a prevista e poderá levar a ferimentos do pessoal e danos no equipamento. O PCMM não pode ser utilizado com uma máquina que não cumpra com as diretivas ou normas nacionais adequadas. A utilização do PCMM também é proibida nos seguintes ambientes:

- áreas potencialmente explosivas
- ambientes com ácidos, soluções alcalinas, óleos, vapores e pós que sejam condutores de eletricidade e/ou corrosivos

5.3 Manuseio

5.3.1 Transporte

Transporte o PCMM de acordo com a norma IEC 61800-2 conforme segue:

- Transporte apenas por pessoal qualificado e na embalagem reciclável original do fabricante. Evite choques durante o transporte.
- Armazene a uma altura de empilhamento máxima, ou abaixo, de 8 caixas.
- Transporte apenas dentro do intervalo de temperatura especificado: máx. -25 a +70 °C taxa de alteração de 20 K/hora, classe 2K3.
- Transporte apenas dentro da humidade especificada: máx. 95% de humidade relativa, sem condensação, classe 2K3.

AVISO

O PCMM contém componentes sensíveis à eletrostática que podem ser danificados devido ao manuseamento incorreto. Elimine a eletrostática do seu corpo antes de tocar no PCMM. Evite o contato com materiais altamente isolantes, tais como, tecidos artificiais e películas de plástico. Coloque o PCMM numa superfície condutora.

Se a embalagem estiver danificada, verifique se existem danos visíveis na unidade. Informe o expedidor e o fabricante sobre qualquer dano na embalagem ou produto.

5.3.2 Embalagem

A embalagem do PCMM consiste em cartão reciclável com orifícios e uma etiqueta no exterior da caixa.

Dimensão da embalagem (A x L x C): 107 mm x 268 mm x 220 mm

Peso total: 1,2 kg

5.3.3 Armazenamento

Armazene o PCMM de acordo com a norma IEC 61800-2 conforme segue:

- Armazene apenas na embalagem reciclável original do fabricante.
- Armazene a uma altura de empilhamento máxima, ou abaixo, de 8 caixas.
- Armazene apenas dentro dos intervalos de temperatura especificados: -25 a +55 °C, taxa de alteração máxima de 20 K/hora, classe 1K4.
- Armazenamento apenas dentro da humidade especificada: 5 a 95% de humidade relativa, sem condensação, classe 1K3.

5.3.4 Desativando

AVISO

Apenas funcionários profissionais qualificados em engenharia elétrica estão habilitados a desativar partes do sistema de acionamento.

- Desligue a chave principal do armário de distribuição.
- Proteja o sistema contra uma ligação inadvertida.
- Bloqueie a chave principal.

5.3.5 Manutenção e limpeza

O dispositivo não precisa de manutenção. A abertura do dispositivo anula a garantia. A parte interna da unidade só pode ser limpa pelo fabricante.

AVISO

Não imergir ou pulverizar o dispositivo. Evite a infiltração de líquidos no aparelho.

Para limpar a parte externa do dispositivo:

1. Desativar o dispositivo (ver capítulo 5.3.4 "Desativando").
2. Revestimento: Limpar com isopropanol ou solução de limpeza semelhante.
 - CUIDADO**: Facilmente inflamável! Risco de ferimentos por deflagração e incêndio.
 - Tenha em atenção as indicações de segurança inscritas na embalagem do produto de limpeza.
 - Após a limpeza, aguarde no mínimo 30 minutos antes de voltar a colocar o aparelho em funcionamento.
3. Grade de proteção do ventilador: Limpar com uma escova seca.

5.3.6 Desinstalando

AVISO

A substituição de componentes do sistema é de exclusiva responsabilidade de pessoal especializado, que detenham conhecimentos no domínio da eletrotécnica.

1. Desativar o dispositivo (ver capítulo 5.3.4 "Desativando").
2. Remova os conectores. Desconecte a última conexão de aterramento potencial.
3. Desmontar: Desaperte os parafusos de fixação e retire o aparelho.

5.3.7 Reparo

AVISO

A substituição de componentes do sistema é da exclusiva responsabilidade de pessoal especializado, que detenham conhecimentos no domínio da eletrotécnica.

CUIDADO: Início Automático! Durante o procedimento de substituição, pode ocorrer uma combinação de riscos e múltiplos episódios.

- Qualquer trabalho na instalação elétrica deve ser desempenhado apenas por funcionários treinados e qualificados, em conformidade com as normas de segurança no trabalho, e somente com o uso de equipamento de segurança individual recomendado.

Substituição PCMM

Só o fabricante pode reparar o aparelho. A abertura do aparelho representa a perda da garantia.

1. Desativar o dispositivo (ver capítulo 5.3.4 "Desativando").
2. Desmontar o dispositivo (ver capítulo 5.3.6 "Desinstalando").
3. Envie o aparelho para o fabricante.
4. Instale um novo aparelho conforme a descrição que se encontra neste manual.
5. Coloque o sistema em funcionamento conforme a descrição que se encontra neste manual.

Substituição de outras peças do sistema de acionamento

Se for necessário substituir peças do sistema de acionamento (por exemplo, cabos), proceda da seguinte forma:

1. Desativar o dispositivo (ver capítulo 5.3.4 "Desativando").
2. Substitua as peças.
3. Verifique a fixação correta das uniões de encaixe.
4. Coloque o sistema em funcionamento conforme a descrição que se encontra neste manual.

5.3.8 Eliminação

AVISO

Para a eliminação do aparelho em conformidade com as normas técnicas entre em contacto com uma entidade certificada que se dedique à reciclagem ou reaproveitamento de componentes electrónicos.

Em conformidade com as Orientações WEEE-2002/96/EC e similares, o fabricante aceita devoluções de dispositivos e acessórios antigos para descarte profissional. Os custos de envio são da responsabilidade do remetente.

Envie os dispositivos, na embalagem original, para os endereços do fabricante mostrados na tabela abaixo.

North America	América do Sul
KOLLMORGEN 201 West Rock Road Radford, VA 24141, USA	KOLLMORGEN Avenida Tamboré - 1077 Tamboré Barueri - SP Brasil CEP: 06460-000, Brazil
Europe	Ásia
KOLLMORGEN Europe GmbH Pempelfurtstr. 1 40880 Ratingen, Germany	KOLLMORGEN Floor 4, Building 9, No. 518, North Fuquan Road, Changning District, Shanghai 200335, China

5.4 Dados e descrição técnica

5.4.1 O controlador de movimento PCMM

PCMM significa Controlador programável multi-eixos mestre. O controlador inclui programação de movimentos em PLCOpen ou PipeNetwork com todos as 5 linguagens da norma IEC 61131.

O EtherCAT conecta PCMM aos outros componentes do sistema de acionamento.

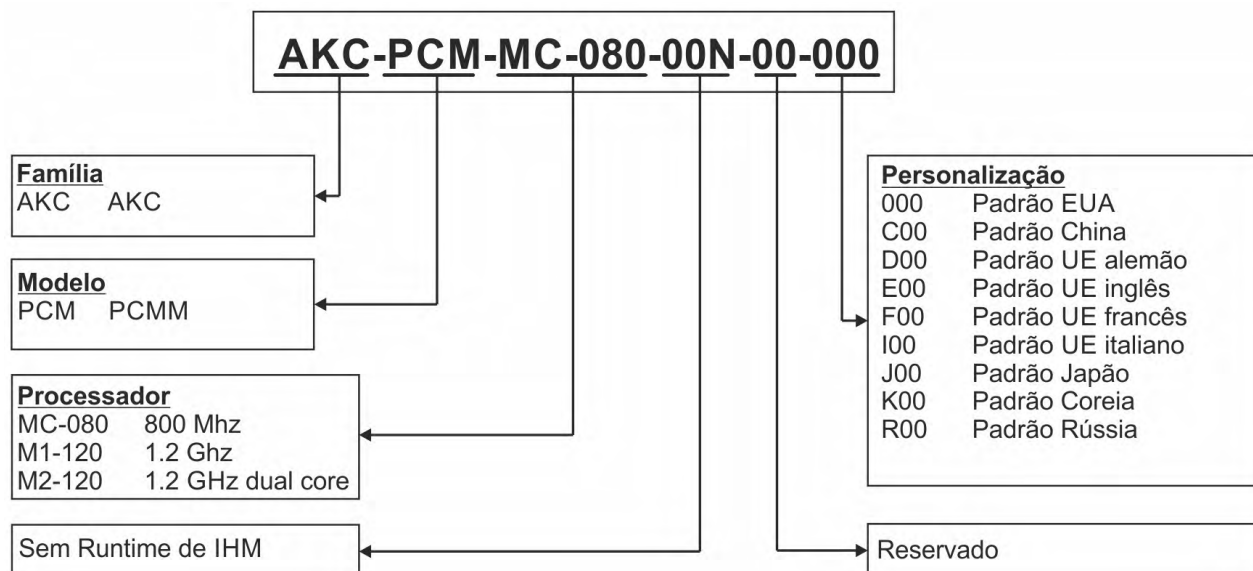
5.4.2 Embalagem fornecida

Quando um controlador PCMM é encomendado, são incluídos na embalagem os seguintes itens:

- PCMM
- Cópia impressa do *Installation Manual PCMM*
- Conectores de acoplamento X1, X35 e X36

INFORMAÇÃO Os conectores de acoplamento D-Sub e RJ45 não estão incluídos na embalagem.

Esquema do código do produto



5.4.3 Dados técnicos

Dados nominais

Dados elétricos	Unidades	PCMM
Tensão de alimentação nominal consulte (→ # 133)	VCC	24 V ±10%
Corrente de entrada nominal	A	1,25
Potência de entrada nominal	W	30
Frequência entre ligar/desligar permitida	1/h	30
Dados mecânicos		
Peso	kg	0,45
Dimensões (A x L x P) consulte (→ # 130)	mm	174 x 50 x 111,5
Dimensões (A x L x P) com conectores consulte (→ # 130)	mm	208 x 50 x 147,5
Torque de aperto recomendados		
X1, X35, X36	Nm (in-lbf)	0,2 a 0,25 (2)
Bloco TP	Nm (in-lbf)	1,7 (15)

Fusíveis

Circuito	Classificação de corrente máx.	Exemplo classe J Cooper Bussmann	Exemplo classe J Ferraz Shawmut
Alimentação 24 VCC	8 A (tempo de atraso)	LPJ8SP/DFJ8	AJT8

Entradas/saídas

Interface	Dados elétricos
Entradas digitais consulte (→ # 135)	<ul style="list-style-type: none"> ● LIGADO: 3,5 VCC a 30 VCC, 2 mA a 15 mA ● DESLIGADO: -2 VCC a 2 VCC, máx. 15 mA ● Isolamento galvânico para 250 VCC ● Taxa de atualização: Software 250 µs ● Tipo Sink ou Source
Saídas digitais consulte (→ # 136)	<ul style="list-style-type: none"> ● Máx. 30 VCC, 100 mA ● À prova de curto-circuito ● Isolamento galvânico para 250 VCC ● Taxa de atualização: 1 ms ● Ativa nível alto ou ativa nível baixo

Condições ambientais, ventilação e posição de montagem

Armazenamento, transporte	(→ # 80)
Temperatura ambiente em operação	0 a +55 °C em condições nominais
Humidade em operação	Humidade relativa de 5 a 85%, sem condensação, classe 3K3 de acordo com a norma IEC 60721-3-3
Altitude do local	Até 2500 metros acima do nível médio do mar sem restrições
Nível de poluição	Nível de poluição 2 segundo a norma IEC 61010-1
Vibrações	Classe 3M1 de acordo com a norma IEC 60721-3-3
Proteção do invólucro	IP 20 de acordo com a norma IEC 60529
Posição de montagem	Vertical
Ventilação	Convecção natural

5.5 Instalação mecânica

INFORMAÇÃO Para a visão geral das dimensões consulte (→ # 130).

5.5.1 Observações importantes

AVISO

Proteja o PCMM de tensões não autorizadas. Em particular, não permita que quaisquer componentes dobrem ou que quaisquer distâncias de isolamento sejam alteradas durante o transporte e manuseamento. Evite o contato com componentes eletrônicos e contatos.

AVISO

O PCMM irá desligar-se automaticamente em caso de sobreaquecimento. Certifique-se de que existe um nível adequado de ar filtrado e frio no fundo do quadro de comando ou, então, utilize um trocador de calor.

AVISO

Não monte dispositivos que produzam campos magnéticos diretamente ao lado do PCMM. Campos magnéticos fortes podem afetar diretamente os componentes internos. Instale os dispositivos que produzam campos magnéticos a alguma distância do PCMM e/ou proteja os campos magnéticos.

5.5.2 Guia para a instalação mecânica

As seguintes ferramentas são necessárias (no mínimo) para instalar o PCMM; a sua instalação em específico poderá necessitar de ferramentas adicionais:

- Parafusos de cabeça cilíndrica com sextavado interno M4 (ISO 4762)
- Chave Allen com cabo em T de 3 mm
- Chave de parafuso Philips N° 2
- Chave de fenda pequena

Instale a unidade PCMM conforme segue:

1. Prepare o local.
Monte o PCMM em um quadro de comando fechado. O local deve estar livre de materiais corrosivos ou condutores.
2. Verifique a ventilação.
Verifique se a ventilação do PCMM está desimpedida e mantenha-o dentro da temperatura ambiente permitida(→ # 84). Mantenha espaço liberado acima e abaixo do PCMM.
3. Verifique o sistema de refrigeração.
Se são utilizados sistemas de refrigeração para o quadro de comando, posicione o sistema de refrigeração de modo a que a água da condensação não goteje sobre o PCMM ou dispositivos periféricos.
4. Monte o PCMM.
Monte o PCMM e a fonte de alimentação próximos da placa de montagem condutora e com ligação à terra ao quadro.
5. Efetue a ligação do terra do PCMM.
Efetue a ligação do terra da placa de montagem, carcaça do PCMM e CNC-GND do sistema de controle.

5.6 Instalação elétrica

INFORMAÇÃO Para a visão geral dos conectores e a ligação das E/S (→ # 131).

5.6.1 Observações importantes

AVISO

Apenas os funcionários profissionais qualificados em engenharia elétrica podem instalar a unidade. Fios de cor verde com uma ou mais riscas amarelas não devem ser utilizados a não ser para as ligações elétricas de terra de proteção (TP).

AVISO

Fusíveis externos excessivamente altos irão colocar em perigo os cabos e dispositivos. Os fusíveis da alimentação 24 V devem ser instalados pelo utilizador, os melhores valores em (→ # 84).

INFORMAÇÃO

É permitido utilizar o software de configuração (KAS IDE) para alterar as definições do dispositivo. Quaisquer outras alterações irão invalidar a garantia.

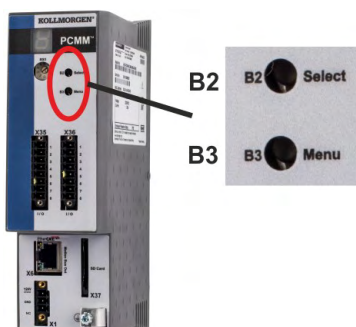
5.6.2 Guia para a instalação elétrica

Instale o sistema elétrico do PCMM conforme segue:

1. Selecione os cabos de acordo com a norma IEC 60204 .
2. Instale a blindagem e efetue a ligação do terra do PCMM.
Efetue a ligação do terra da placa de montagem e CNC-GND do sistema de controle.
3. Ligue todas as interfaces de acordo com o diagrama de ligações elétricas em (→ # 131).

5.6.3 Botões (B2, B3)

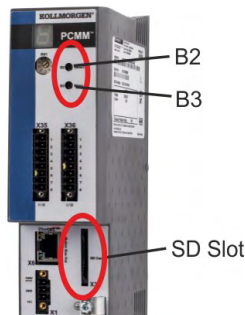
Os botões podem ser utilizados para iniciar funções predefinidas.



Função	Botão	Comentários
Funções de inicialização (pressione e mantenha o botão pressionado durante a sequência de inicialização)		
"Recovery Mode" (Modo de recuperação)	B2	Pressione e mantenha pressionado para inicializar em modo de recuperação.
Menu	B3	Pressione e mantenha pressionado para bloquear o início automático da aplicação e para iniciar ciclando através dos itens do menu.
Funções operacionais (pressione o botão durante o modo de operação normal)		
Menu	B3	Pressione para completar um ciclo ao longo dos itens do menu. Os itens do menu serão apresentados LED de 7 segmentos repetidamente durante 10 s e podem ser selecionados pressionando o B2.
"Select Menu Item" (Selecionar item do menu)	B2	Pressione enquanto o item do menu é apresentado para executar a ação. A aplicação rodando , itens do menu disponíveis: <ul style="list-style-type: none"> • Endereço "IP" • "parar" aplicação (confirmar) Sem aplicação rodando , itens do menu disponíveis: <ul style="list-style-type: none"> • Endereço "IP" • "start" (iniciar) aplicação (confirmar) • "reset" para os padrões de fábrica (confirmar) • "backup" (cópia de segurança) para o cartão SD (confirmar) • "restore" (restaurar) a partir do cartão SD (confirmar)
"Confirm" (Confirmar)	B2	Se o item do menu selecionado necessitar de uma confirmação, "y" é apresentado durante 10 s - pressione B2 para confirmar.

5.6.4 Abertura para cartão SD

O PCMM oferece uma abertura para cartão SD e botões B2 e B3 para ativar a transferência de arquivos a partir do/para o PCMM e para o cartão de memória SD. Estas características também podem ser iniciadas a partir do software KAS IDE. Pode ser encontrada uma descrição detalhada na Ajuda Online KAS.



As operações restaurar/cópia de segurança (PCMM para SD ou SD para PCMM) não serão possíveis se a aplicação estiver em funcionamento.

INFORMAÇÃO

Pare a aplicação através do navegador da Internet ou utilize a ação "parar" do B2/B3 antes de iniciar qualquer funcionalidade do cartão SD.

Se ocorrer uma falha durante as operações de guardar/carregar, o número da falha é apresentado no visor de um dígito com a letra E seguida de dois dígitos. Códigos de erro (→ # 137).

Tipos de cartão SD suportados

Os cartões SD são pré-formatados pelo fabricante. A tabela seguinte esquematiza os tipos de cartão SD e se são suportados pelo PCMM.

Tipo de SD	Sistema de arquivos	Capacidade	Suportado
SD (SDSC)	FAT16	1 MB a 2 GB	SIM
SDHC	FAT32	4 GB a 32 GB	SIM
SDXC	exFAT (Microsoft)	>32 GB a 2 TB	NÃO

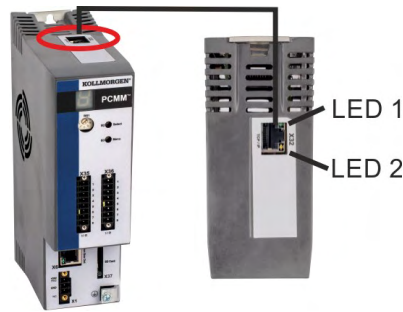
Características

Se existir um cartão SD inserido na abertura para SD e se nenhum programa de aplicação estiver rodando, o menu dos botões (iniciado com B3) exibe as funções de transferência de dados possíveis:

- "backup" (cópia de segurança) para copiar o firmware, configurações, aplicação do usuário e arquivos de dados do PCMM para o cartão SD.
- "restore" (restaurar) para carregar o firmware, configurações, aplicação do usuário e arquivos de dados do cartão SD para o PCMM.

5.6.5 Interface de serviço (X32)

Os parâmetros de bloqueio de movimento, controle de posição e operação podem ser definidos utilizando o software de configuração em um PC comercial normal.



Pino	Sinal	Pino	Sinal
1	Transmite +	5	NF
2	Transmite -	6	Recebe -
3	Recebe +	7	NF
4	NF	8	NF

Protocolo	Tipo
Modbus TCP	Rede de serviço
Ethernet TCP/IP	Rede de serviço

Conecte a interface de serviço (X32) do PCMM a uma interface Ethernet ao PC diretamente ou através de um hub/switch de rede, **enquanto a alimentação ao equipamento estiver desligada**. Utilize os cabos Ethernet Cat.5 padrão para a ligação (em alguns casos, os cabos crossover também poderão ser utilizados).

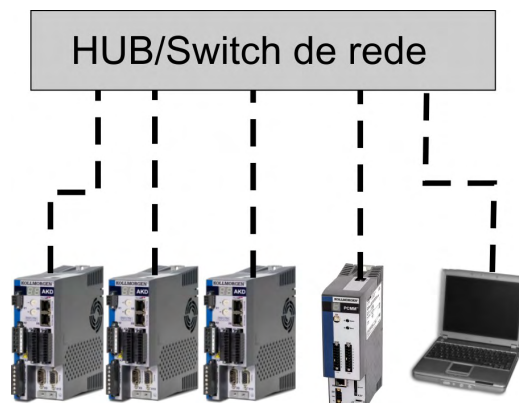
AVISO

Não ligue o cabo da rede de movimento à interface de serviço X32. O cabo bus de movimento deve estar ligado na porta X6.

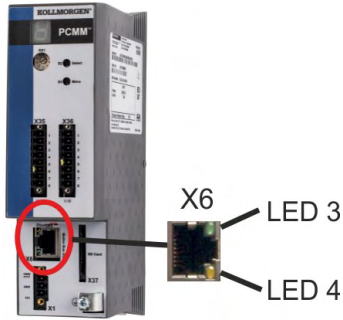
Confirme se o LED de ligação no PCMM (o LED verde no conector RJ45) e no seu PC (ou hub/switch de rede) estão ambos acesos. Se ambas as luzes estiverem acesas, é porque existe uma boa ligação elétrica.

Conector	LED#	Cor	Nome	Indicação
X32	LED1	Verde	Link	Ligado = sinal de recepção válido
	LED2	Amarelo	Atividade	Piscar = Transmitir ou receber pacote

Configurações de rede possíveis



5.6.6 Interface de rede de movimento (X6)



Pino	Sinal
1	Recebe +
2	Recebe -
3	Transmite +
4, 5	NF
6	Transmite -
7, 8	NF

AVISO

Não ligue o cabo de serviço Ethernet do PC à interface de rede de movimento X6. O cabo de serviço Ethernet deve estar ligado na porta X32.

Conector	LED#	Cor	Nome	Indicação
X6	LED3	Verde	Link	Ligado = sinal de recepção válido
	LED4	Amarelo	Atividade	Piscar = Transmitir ou receber pacote

5.6.7 Chave rotativa (RS1)

Pode-se utilizar a chave rotativa RS1 para definir o endereço IP do PCMM. O endereço IP configurado (dependendo da posição atual da chave rotativa RS1) será apresentado display de 7 segmentos na hora da conexão do cabo Ethernet e na inicialização, caso um cabo Ethernet esteja ligado. Se não houver ligado nenhum cabo Ethernet, não será indicado nenhum endereço IP no visor.



Configuração da chave	Endereço IP do PCMM
0	Endereço DHCP/Auto-IP. O endereço IP do dispositivo é obtido a partir do servidor DHCP na sua rede. Se não for encontrado nenhum servidor DHCP, o endereço IP será um endereço Auto-IP (é gerado internamente seguindo o protocolo Auto-IP e terá o formato 169.254.xx.xx).
1	Endereço IP estático. O endereço IP é configurável por software a partir de um navegador de Internet. O endereço IP predefinido na posição 1 do interruptor é 192.168.1.101. Para configurar o endereço IP, abra um navegador de Internet e introduza o endereço IP na caixa URL. A página web do PCMM irá ser apresentada. Navegue para a aba "Settings" (Configurações) e, em seguida, para a aba "Network" (Rede), de modo a configurar o endereço IP estático para o PCMM.
2 a 9	Endereço IP estático. O endereço IP é 192.168.0.10n, no qual n é o número da chave rotativa. Esta configuração gera endereços num intervalo entre 192.168.0.102 e 192.168.0.109. Exemplo: se RS1 estiver definida em 5 - o endereço IP é 192.168.0.105

INFORMAÇÃO

A máscara de subrede do PC deve estar definida em 255.255.255.0 ou 255.255.255.128

Endereçamento IP estático

Ao conectar o PCMM diretamente a um PC deve ser utilizado o endereçamento IP estático. Defina a chave rotativa RS1 para um número entre 2 e 9 (consultar a tabela acima)

Endereçamento IP dinâmico (DHCP e Auto-IP)

Com a RS1 definida em 0, o PCMM estará no modo DHCP. O PCMM irá adquirir o seu endereço IP a partir de um servidor DHCP externo, caso esteja presente na rede. Se não estiver presente um servidor DHCP, o dispositivo irá assumir um endereço IP privado automático com o formato 169.254.x.x.

Se o seu PC estiver ligado diretamente ao dispositivo e definido para obter um endereço IP automaticamente nas configurações TCP/IP, será estabelecida uma ligação com ambos dispositivos utilizando endereços gerados automaticamente que sejam compatíveis. Poderá demorar até 60 segundos para que um PC configure um endereço IP privado automático (169.254.x.x).

Alterar o endereço IP

Se a chave for alterada enquanto a alimentação lógica de 24 V é fornecida ao PCMM, deve desligar e, em seguida, ligar novamente a tensão de alimentação de 24 V. Esta ação irá substituir o endereço.

5.7 Configuração

5.7.1 Observações importantes

AVISO

Antes dos testes e da configuração, o fabricante da máquina deve gerar uma avaliação de riscos para a máquina e tomar as medidas adequadas para que movimentos imprevistos não possam causar ferimentos ou danos a quaisquer pessoas ou bens.

AVISO

Apenas o pessoal profissional com um conhecimento abrangente dos campos de engenharia elétrica e tecnologia de acionamento pode testar e configurar a unidade.

AVISO

Conjuntos de dados armazenados em mídias de dados não estarão seguros face a alterações não intencionais efetuadas por outras pessoas. O movimento inesperado poderá ser o resultado de dados não verificados. Após carregar um conjunto de dados, deve-se verificar sempre todos os parâmetros antes de ativar o drive.

5.7.2 Configuração com o KAS IDE

O controlador e as unidades devem ser adaptados aos requisitos da sua máquina. Para a maioria das aplicações pode utilizar um PC e o software KAS IDE ("Kollmorgen Automation Suite Integrated development environment") para configurar as condições de operação e os parâmetros para o seu sistema de movimento. O PC está ligado ao PCMM através de um cabo Ethernet.

O ambiente de desenvolvimento integrado KAS IDE contém ferramentas para configurar a rede EtherCAT, configurar e tunar os drives Kollmorgen e criar um programa PLC e IHM.

O KAS IDE está disponível através de entrega eletrónica ou DVD. Contate o seu representante de vendas Kollmorgen para obter informações. O PCMM Runtime está disponível no KDN (<http://kdn.kollmorgen.com>) ou no site Kollmorgen (<http://www.kollmorgen.com>).

Kollmorgen oferece cursos de familiarização e formação.

INFORMAÇÃO

Consulte o guia de "Introdução ao KAS" para continuar a configuração.

5.8 Solução de problemas do PCMM

Os problemas do controlador de movimento ocorrem por diversas razões, dependendo das condições da sua instalação. As causas de falhas em sistemas multieixos podem ser particularmente complexas. Se você não for capaz de resolver uma falha ou outro problema seguindo as orientações para a solução de problemas apresentadas abaixo, o apoio ao cliente poderá oferecer-lhe mais assistência.

INFORMAÇÃO

As falhas mais comuns estão listadas no capítulo "Falhas e mensagens de aviso" (→ # 137). Você pode encontrar mais detalhes sobre a remoção de falhas na Ajuda Online.

6 Español

6.1 General	94
6.1.1 Notas para la edición impresa (versión en papel)	94
6.1.2 Símbolos utilizados	94
6.1.3 Abreviaturas usadas	95
6.1.4 Estándares utilizados	95
6.2 Seguridad	96
6.2.1 Debería prestar atención a las siguientes indicaciones	96
6.2.2 Usar según las indicaciones	97
6.2.3 Uso prohibido	97
6.3 Manejo	98
6.3.1 Transporte	98
6.3.2 Embalajes	98
6.3.3 Almacenamiento	98
6.3.4 Desmantelamiento	98
6.3.5 Mantenimiento y limpieza	99
6.3.6 Desinstalación	99
6.3.7 Reparación	99
6.3.8 Eliminación	100
6.4 Datos y descripción técnica	101
6.4.1 El controlador de movimiento PCMM	101
6.4.2 Paquete suministrado	101
6.4.3 Datos técnicos	102
6.5 Instalación mecánica	103
6.5.1 Notas importantes	103
6.5.2 Guía de instalación mecánica	103
6.6 Instalación eléctrica	104
6.6.1 Notas importantes	104
6.6.2 Guía de instalación eléctrica	104
6.6.3 Push-buttons (B2, B3)	105
6.6.4 Ranura para la tarjeta SD	106
6.6.5 Interfaz de servicio (X32)	107
6.6.6 Interfaz de bus de movimiento (X6)	108
6.6.7 Conmutador giratorio (RS1)	108
6.7 Configuración	110
6.7.1 Notas importantes	110
6.7.2 Configuración con KAS IDE	110
6.8 Resolución de problemas del PCMM	110

6.1 General

Este manual, *Installation Manual PCMM*, presenta la información relevante para instalar y configurar de manera segura el controlador de movimiento PCMM.

Los documentos adicionales incluyen:

- **Comunicación EtherCAT** (formato PDF):
Describe cómo utilizar el controlador en aplicaciones EtherCAT.
- **Comunicación Ethernet/IP**: describe cómo utilizar el controlador en aplicaciones Ethernet/IP.
- **KAS Ayuda en línea** (formato de ayuda en web):
Describe cómo utilizar el controlador en aplicaciones comunes. También incluye consejos para configurar y maximizar el rendimiento de su sistema. La ayuda en línea incluye la *Guía de referencia de comandos y parámetros*, que muestra información sobre los parámetros y comandos que se emplean para programar el sistema de movimiento.




Todos los documentos están disponibles en el KDN (<http://kdn.kollmorgen.com>) o Kollmorgen en la página web (<http://www.kollmorgen.com>).

6.1.1 Notas para la edición impresa (versión en papel)

Con cada producto, se incluye una versión impresa del manual. Por razones ecológicas, se redujo el tamaño del documento y se imprimió en DIN A5.

INFORMACIÓN Si experimenta dificultades para leer el tamaño de la fuente de la versión impresa reducida, puede imprimir y usar la versión en PDF en formato 1:1 DIN A4. Puede encontrar la versión en PDF en el DVD que acompaña el producto y en el sitio web de Kollmorgen.

6.1.2 Símbolos utilizados

Symbol	Indication
 PELIGRO	Indica una situación de peligro que, si no se evita, puede ocasionar lesiones graves o la muerte.
 ADVERTENCIA	Indica una situación de peligro que, si no se evita, podría ocasionar lesiones graves o la muerte.
 ATENCIÓN	Indica una situación de peligro que, si no se evita, podría ocasionar lesiones leves a moderadas.
AVISO	Indica una situación que, si no se evita, podría ocasionar daños a la propiedad.
INFORMACIÓN	Este no es un símbolo de seguridad. Este símbolo indica notas importantes.

6.1.3 Abreviaturas usadas

Abreviatura	Significado
(→ # 53)	«ver página 53» de este documento
CE	Comunidad Europea
CEM	Compatibilidad electromagnética
PC	Ordenador personal
PCMM	Controlador Programable Multieje Maestro.
PE	Protección a tierra
RCD	Dispositivo de corriente residual
SFF	Fracción de fallo seguro
V AC	Voltios, corriente alterna
V CC	Voltios, corriente continua

6.1.4 Estándares utilizados

Estándar	Contenido
ISO 4762	Tornillos de cabeza cilíndrica con hueco hexagonal
ISO 12100	Seguridad de las máquinas: conceptos básicos, principios generales para el diseño
IEC 60085	Aislamiento eléctrico: evaluación y designación térmica, mantenimiento
IEC 60204	Seguridad de las máquinas: equipo eléctrico de las máquinas
IEC 60364	Instalaciones eléctricas de baja tensión
IEC 60439	Conjuntos de aparata de baja tensión
IEC 60529	Grado de protección IP (código IP)
IEC 60721	Clasificación de las condiciones ambientales
IEC 61000	Compatibilidad electromagnética (CEM)
IEC 61131	Controladores programables
IEC 61491	Equipo eléctrico de las máquinas industriales: enlace de datos serie para la comunicación en tiempo real entre las unidades de mando y los dispositivos de accionamiento de motores.
IEC UL 61010-1	Requisitos de seguridad de equipos eléctricos de medida, control y uso en laboratorio
IEC 82079	Preparación de instrucciones de uso: estructura, contenido y presentación

IEC - International Electrotechnical Commission

ISO - International Organization for Standardization

UL - Underwriters Laboratories

6.2 Seguridad

6.2.1 Debería prestar atención a las siguientes indicaciones

¡Se requiere personal especializado!

Solamente se permite al personal cualificado realizar tareas como el transporte, el montaje, la configuración y el mantenimiento. El personal cualificado son personas que están familiarizadas con el transporte, la instalación, el montaje, la puesta en marcha y el funcionamiento de PCMM y que aplican sus cualificaciones mínimas pertinentes en sus tareas:

- Transporte: solo por personal con conocimientos en la manipulación de componentes sensibles a la electricidad electrostática.
- Desembalaje: solo por personal con formación en electrotecnia.
- Instalación: solo por personal con formación en electrotecnia.
- Pruebas básicas / configuración: solo por personal cualificado con conocimientos de ingeniería eléctrica y de tecnología de la unidad.

El personal cualificado debe conocer y respetar ISO 12100 / IEC 60364 / IEC 60664 y las regulaciones nacionales de prevención de accidentes.

¡Lea la documentación!

Lea la documentación disponible antes de realizar la instalación y la puesta en marcha. Un manejo inadecuado de la unidad puede provocar lesiones en las personas o daños materiales. El operador de sistemas que utilice PCMM debe exigir a todo el personal que trabaje con el sistema de movimiento que lea y entienda el manual antes de utilizar el sistema.

¡Compruebe la revisión del hardware!

Compruebe el número de revisión del hardware del producto (ver etiqueta del producto) Este número es el enlace entre el producto y el manual, debe coincidir con el número de revisión de hardware de la cubierta del manual.

¡Preste atención a los datos técnicos!

Respete los datos técnicos y las especificaciones sobre las condiciones de conexión (placa de características y documentación). Si se superan los valores de tensión o los valores de corriente permitidos, PCMM podría resultar dañado.

¡Realice una evaluación de riesgos!

El fabricante de la máquina debe generar una evaluación de riesgos para la máquina y tomar las medidas apropiadas para asegurar que ningún movimiento imprevisto pueda provocar lesiones a alguien o daños materiales. De la evaluación de riesgos pueden surgir requisitos adicionales para el personal especializado.

¡Tenga cuidado con los componentes sensibles a la electricidad electrostática!

El PCMM contiene componentes sensibles a la electricidad electrostática que pueden resultar dañados si no se manejan correctamente. Descargue la electricidad electrostática del cuerpo antes de tocar el PCMM. Evite el contacto con materiales altamente aislantes (tejidos artificiales, películas de plástico, etc.). Coloque el PCMM sobre una superficie conductora.

¡No modifique nunca los productos!

No está permitido modificar el PCMM si no cuenta con permiso del fabricante. Si abre la carcasa, perderá la garantía.

6.2.2 Usar según las indicaciones

Los PCMM están fabricados para controlar unidades Kollmorgen en un sistema de accionamiento servo drive.

Los PCMM son componentes integrados en plantas eléctricas o en máquinas y que solo se pueden usar como componentes integrales de dichas plantas o máquinas. El fabricante de la máquina usada con un PCMM debe generar una evaluación de riesgos para la máquina.

Cuando los PCMM estén integrados en máquinas o plantas, el sistema de accionamiento no deberá utilizarse hasta que se haya determinado que la máquina cumple los requisitos de las directivas regionales.

Armario de distribución y cableado

El PCMM solo se debe usar en un armario de distribución cerrado (permanentemente conectado) adecuado a las condiciones ambientales (→ # 102). Para mantener la temperatura del armario de distribución por debajo de 55 °C, puede ser necesario ventilar o enfriar.

Para el cableado use solamente conductores de cobre. La sección del conductor se puede obtener en el estándar IEC 60204 (de manera alternativa para las secciones AWG: tabla 310-16 de la NEC, columna 75 °C).

Fuente de alimentación

El PCMM pueden abastecerse con redes de suministro industriales de 24 V DC.

6.2.3 Uso prohibido

No está previsto ningún otro uso que el indicado en el capítulo «Usar según las indicaciones», que podría provocar lesiones personales o daños en el equipo. El PCMM no puede usarse con una máquina que no cumpla las directivas o los estándares nacionales pertinentes. También está prohibido el uso del PCMM en los siguientes entornos:

- áreas potencialmente explosivas
- entornos con ácidos conductores corrosivos y/o eléctricos, soluciones alcalinas, aceites, vapores, polvo

6.3 Manejo

6.3.1 Transporte

Transporte el PCMM de acuerdo con IEC 61800-2 tal y como se indica a continuación:

- Transpórtelo solamente por personal cualificado en el embalaje reciclable original del fabricante. Evite choques durante el transporte.
- Almacénelo a una altura de apilado máxima de 8 cajas o inferior.
- Realice el transporte solamente dentro de los rangos de temperatura especificados: -25 a +70 °C, tasa de cambio máx. 20 K/hora, clase 2K3.
- Realice el transporte solamente a la humedad especificada: máx. 95% de humedad relativa, sin condensación, clase 2K3.

AVISO

El PCMM contiene componentes sensibles a la electricidad electrostática que pueden resultar dañados si no se manejan correctamente. Descargue la electricidad electrostática de su cuerpo antes de tocar el PCMM. Evite el contacto con materiales altamente aislantes como, por ejemplo, tejidos artificiales y películas de plástico. Coloque el PCMM sobre una superficie conductora.

Si el embalaje está dañado, compruebe si la unidad tiene daños visibles. Informe al transportista y al fabricante de cualquier daño en el embalaje o en el producto.

6.3.2 Embalajes

El embalaje del PCMM está hecho de cartón reciclable con encartes y una etiqueta en la parte exterior de la caja.

Dimensiones del embalaje (altura x ancho x profundidad): 107 mm x 268 mm x 220 mm

Peso total: 1,2 kg

6.3.3 Almacenamiento

Almacene el PCMM de acuerdo con IEC 61800-2 tal y como se indica a continuación:

- Almacénelo solamente en el embalaje reciclable original del fabricante.
- Almacénelo a una altura de apilado máxima de 8 cajas o inferior.
- Almacénelo solo dentro de los rangos de temperatura especificados: -25 a +55 °C, rango de cambio máx. 20 K/hora, clase 1K4.
- Almacénelo solo a la humedad especificada: 5 a 95% de humedad relativa, sin condensación, clase 1K3.

6.3.4 Desmantelamiento

AVISO

Solo el personal profesional que esté cualificado en electrotecnia puede desmantelar piezas del sistema.

- Apague el interruptor principal del armario eléctrico.
- Asegure el sistema contra reinicios
- Bloquear el interruptor principal.

6.3.5 Mantenimiento y limpieza

La unidad no requiere mantenimiento. Si abre la unidad, se anulará la garantía. La limpieza del interior de la unidad solo puede realizarla el fabricante.

AVISO

No sumerja ni pulverice la unidad. Evite que el líquido entre en el dispositivo.

Para limpiar el exterior de la unidad:

1. Desmantelar el dispositivo (consulte el capítulo 6.3.4 "Desmantelamiento").
2. Carcasa: limpie con alcohol isopropílico o una solución de limpieza similar.

ATENCIÓN : ¡Altamente inflamable! Riesgo de lesiones por explosión e incendio.

- Respete las notas de seguridad incluidas en el paquete del líquido de limpieza.
- Espere al menos 30 minutos tras realizar la limpieza antes de utilizar de nuevo el dispositivo.

3. Parrilla de protección del ventilador: limpie con un cepillo seco.

6.3.6 Desinstalación

AVISO

Solo el personal profesional que esté cualificado en electrotecnia puede cambiar piezas del sistema de potencia.

Retire el dispositivo

1. Desmantelar el dispositivo (consulte el capítulo 6.3.4 "Desmantelamiento").
2. Quite los conectores. Por último, desconecte la posible conexión a tierra.
3. Desinstale: afloje los tornillos de fijación. Extraiga el dispositivo.

6.3.7 Reparación

AVISO

Solo el personal profesional que esté cualificado en electrotecnia puede cambiar piezas del sistema de potencia.

ATENCIÓN: ¡Inicio automático! Durante las tareas de sustitución, pueden producirse varios incidentes y situaciones peligrosas.

- Solo el personal formado y cualificado puede trabajar en la instalación eléctrica, de acuerdo con las regulaciones sobre seguridad en el trabajo y usando únicamente el equipo de seguridad personal prescrito.

Cambio del PCMM

Solamente el fabricante puede reparar el dispositivo. Si abre el dispositivo se anula la garantía.

1. Desmantelar el dispositivo (consulte el capítulo 6.3.4 "Desmantelamiento").
2. Desinstalar el dispositivo (consulte el capítulo 6.3.6 "Desinstalación").
3. Envíe el dispositivo al fabricante.
4. Instale un nuevo dispositivo como se describe en este manual.
5. Configure el sistema como se describe en este manual.

Cambio de otras piezas del sistema de potencia

Si deben sustituirse piezas del sistema de potencia (por ejemplo, los cables), siga el procedimiento que se indica a continuación:

1. Desmantelar el dispositivo (consulte el capítulo 6.3.4 "Desmantelamiento").
2. Cambie las piezas.
3. Compruebe que todas las conexiones estén bien fijadas.
4. Configure el sistema como se describe en este manual.

6.3.8 Eliminación

AVISO

Para desechar la unidad correctamente, póngase en contacto con una empresa de reciclaje de aparatos electrónicos certificada.

De acuerdo con las directivas WEEE-2002/96/EC y leyes similares, el fabricante acepta la devolución de dispositivos y accesorios viejos para una eliminación profesional. Los costos de transporte están a cargo del remitente.

Envíe los dispositivos en el embalaje original a las direcciones de los fabricantes que se muestran en la tabla de abajo.

América del Norte	América del Sur
KOLLMORGEN 201 West Rock Road Radford, VA 24141, USA	KOLLMORGEN Avenida Tamboré - 1077 Tamboré Barueri - SP Brasil CEP: 06460-000, Brazil
Europe	Asia
KOLLMORGEN Europe GmbH Pempelfurtstr. 1 40880 Ratingen, Germany	KOLLMORGEN Floor 4, Building 9, No. 518, North Fuquan Road, Changning District, Shanghai 200335, China

6.4 Datos y descripción técnica

6.4.1 El controlador de movimiento PCMM

PCMM significa **C**ontrolador **P**rogramable **M**ultieje **M**aestro. El controlador incluye un control de movimiento programable que usa motores de movimiento PLCOpen o PipeNetwork y PLC con los 5 lenguajes IEC 61131.

EtherCAT conecta el PCMM a los otros componentes en el sistema de accionamiento.

6.4.2 Paquete suministrado

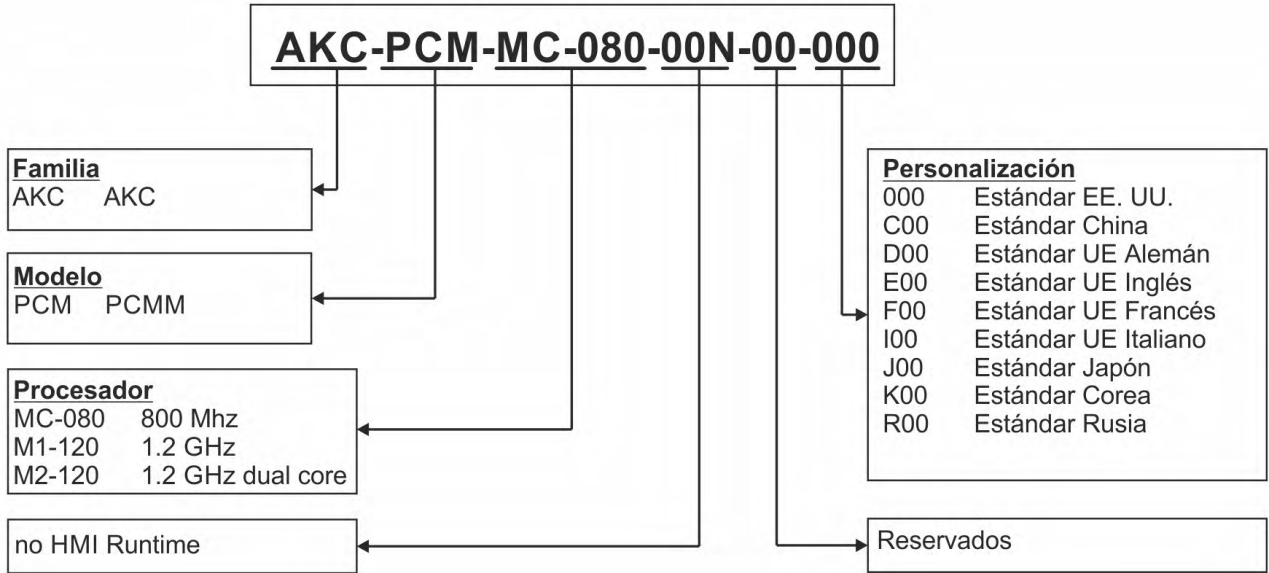
Cuando se pide un controlador PCMM, los siguientes elementos están incluidos en el paquete:

- PCMM
- Copia impresa de la *Installation Manual PCMM*
- Conectores ficha X1, X35 y X36

INFORMACIÓN

Los conectores ficha SubD y RJ45 no están incluidos en el paquete.

Esquema de número de pieza



6.4.3 Datos técnicos

Datos nominales

Datos eléctricos	Unidades	PCMM
Tensión de alimentación nominal, ver (→ # 133)	V CC	24 V ±10%
Corriente nominal de entrada	A	0,75
Potencia nominal de entrada	W	18
Frecuencia de apagado/encendido permitida	1/h	30
Datos mecánicos		
Peso (ancho estándar)	kg	0,45
Dimensiones (altura x ancho x profundidad), ver (→ # 130)	mm	174 x 50 x 111,5
Dimensiones (altura x ancho x profundidad) con conectores, ver (→ # 130)	mm	208 x 50 x 147,5
Pares de apriete recomendados		
X1, X35, X36	Nm (in-lbf)	0,2 a 0,25 (2)
Bloque PE	Nm (in-lbf)	1,7 (15)

Fusión

Circuito	Máx. Rango de amperaje	Ejemplo clase J Cooper Bussmann	Ejemplo clase J Ferraz Shawmut
Alimentación de 24 V CC	8A (tiempo de retardo)	LPJ8SP/DFJ8	AJT8

Entradas/salidas

Interfaz	Datos eléctricos
Entradas digitales ver (→ # 135)	<ul style="list-style-type: none"> ● ON: 3,5 V CC a 30 V CC, 2 mA a 15 mA ● OFF: -2 V CC a 2 V CC, máx. 15 mA ● Aislamiento galvánico para 250 V CC ● Frecuencia de actualización: Software 250 µs ● Tipo Sink o Source
Salidas digitales ver (→ # 136)	<ul style="list-style-type: none"> ● Máx. 30 V CC, 100 mA ● A prueba de cortocircuitos ● Aislamiento galvánico para 250 V CC ● Frecuencia de actualización: 1 ms ● Activo bajo o activo alto

Condiciones ambientales, ventilación y posición de montaje

Almacenamiento, transporte	(→ # 98)
Temperatura ambiente durante el funcionamiento	0 a +55 °C en condiciones normales
Humedad durante el funcionamiento	Humedad relativa de 5 a 85%, sin condensación, clase 3K3 según la IEC 60721-3-3
Altitud del emplazamiento	Hasta 2500 metros sobre el nivel del mar sin restricciones
Nivel de contaminación	Nivel de contaminación 2 según IEC 61010-1
Vibraciones	Clase 3M1 según la IEC 60721-3-3
Protección con envolventes	IP 20 según la IEC 60529
Posición de montaje	Vertical
Ventilación	Convección libre

6.5 Instalación mecánica

INFORMACIÓN Descripción general de las dimensiones, consulte (→ # 130).

6.5.1 Notas importantes

AVISO

Proteja el PCMM de tensiones inadmisibles. En particular, evite que se doblen los componentes o que se alteren las distancias de aislamiento durante el transporte y la manipulación. Evite tocar los componentes electrónicos y los contactos.

AVISO

El PCMM se apagará automáticamente en caso de sobrecalentamiento. Asegúrese de que haya un flujo adecuado de aire fresco y filtrado en la parte inferior del armario de distribución o use un intercambiador de calor.

AVISO

No monte dispositivos que produzcan campos magnéticos directamente junto al PCMM. Los campos magnéticos intensos pueden afectar directamente a los componentes internos. Instale los dispositivos que produzcan campos magnéticos a distancia del PCMM y/o aíslle el campo magnético.

6.5.2 Guía de instalación mecánica

Las siguientes herramientas son necesarias (como mínimo) para instalar el PCMM; para su instalación específica puede que se necesiten herramientas adicionales:

- Tornillos M4 de cabeza cilíndrica con hueco hexagonal (ISO 4762)
- Llave Allen con mango en T de 3 mm
- Destornilladores núm. 2 con cabeza Phillips
- Destornillador plano pequeño

Instale la unidad PCMM tal y como se indica a continuación:

1. Prepare el lugar.
Monte el PCMM en un armario de distribución cerrado. El lugar debe estar libre de materiales conductores o corrosivos.
2. Compruebe la ventilación.
Compruebe que la ventilación del PCMM está libre y que se mantiene dentro de la temperatura ambiente permitida (→ # 102). Mantenga el espacio libre necesario entre la parte superior e inferior del PCMM.
3. Compruebe el sistema de refrigeración.
Si los sistemas de refrigeración se usan para el armario de distribución, coloque el sistema de refrigeración de tal manera que la condensación no caiga sobre el PCMM o sobre los dispositivos periféricos.
4. Monte el PCMM.
Monte el PCMM y la fuente de alimentación cerca el uno del otro en la placa de montaje conductora conectada a tierra en el armario.
5. Conecte a tierra el PCMM.
Conecte a tierra la placa, la carcasa del PCMM y el CNC-GND del sistema de control.

6.6 Instalación eléctrica

INFORMACIÓN Para una visión general de los conectores y de las conexiones E/S (→ # 131).

6.6.1 Notas importantes

AVISO

La instalación de la unidad debe encomendarse única y exclusivamente a personal profesional y cualificado en ingeniería eléctrica. Los cables de color verde con una o varias franjas amarillas solo deben utilizarse para el cableado de la conexión a tierra de protección (PE).

AVISO

Una fusión externa excesivamente alta dañará el cable y el dispositivo. El usuario debe instalar la fusión del suministro de 24 V, mejores valores (→ # 102).

INFORMACIÓN

Está permitido usar el software de configuración (KAS IDE) para modificar la configuración del dispositivo. Cualquier otra alteración anulará la garantía.

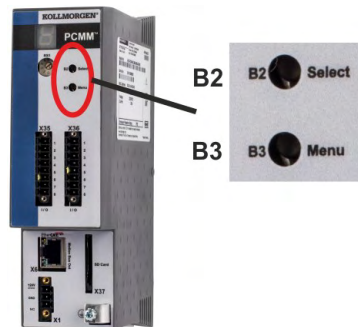
6.6.2 Guía de instalación eléctrica

Instale el sistema eléctrico del PCMM tal y como se indica a continuación:

1. Seleccione los cables según la norma IEC 60204.
2. Instale una pantalla de protección y conecte a tierra el PCMM.
Conecte a tierra la placa y el CNC-GND del sistema de control.
3. Conecte todas las interfaces de acuerdo con los diagramas de cableado de (→ # 131).

6.6.3 Push-buttons (B2, B3)

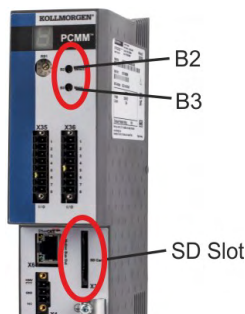
Los botones se pueden usar para arrancar funciones predefinidas.



Función	Botón	Comentarios
Funciones de tiempo de arranque (pulse y mantenga pulsado el botón durante la secuencia de arranque)		
Modo de regeneración	B2	Pulse y mantenga pulsado para arrancar el modo de regeneración.
Menú	B3	Pulse y mantenga pulsado para bloquear el arranque automático de la aplicación y para empezar a desplazarse por los elementos del menú.
Funciones operativas (pulse el botón durante el modo de funcionamiento normal)		
Menú	B3	Pulse para desplazarse por los elementos del menú. Los elementos del menú aparecerán en el LED de 7 segmentos repetidamente durante 10 s y se pueden seleccionar pulsando B2.
Seleccionar un elemento del menú	B2	Pulse mientras se muestra el elemento del menú requerido para realizar la acción. La aplicación se está ejecutando , elementos del menú disponibles: <ul style="list-style-type: none"> • Dirección IP • aplicación «parada» (confirmar) No se está ejecutando ninguna aplicación , elementos del menú disponibles: <ul style="list-style-type: none"> • Dirección IP • aplicación «arranque» (confirmar) • «reiniciar» a predeterminados (confirmar) • «copia de seguridad» en la tarjeta SD (confirmar) • «restaurar» desde la tarjeta SD (confirmar)
Confirmar	B2	Si el elemento del menú seleccionado requiere una confirmación, se muestra «y» durante 10 s - pulse B2 para confirmar.

6.6.4 Ranura para la tarjeta SD

PCMM ofrece una ranura para la tarjeta SD y los botones B2 y B3 para activar la transferencia de ficheros desde/al PCMM y la tarjeta de memoria SD. Estas características también se pueden arrancar desde el software del KAS IDE. En la ayuda en línea del KAS se puede encontrar una descripción detallada.



Las operaciones de copia de seguridad/restauración (PCMM a SD o SD a PCMM) no se podrán usar si se está ejecutando una aplicación.

INFORMACIÓN

Detenga la aplicación desde el navegador web o utilice la «parada» B2/B3 antes de iniciar cualquier función de la tarjeta SD.

Si se produce algún fallo durante las operaciones de guardar/cargar, se muestra el número de fallo en la pantalla de dígitos con una E seguida de dos números. Códigos de error (→ # 137).

Tipos de tarjetas SD admitidas

Las tarjetas SD están preformateadas por el fabricante. En la tabla siguiente se describen los tipos de tarjetas SD y la compatibilidad con el PCMM.

Tipo de SD	Sistema de archivos	Capacidad	Compatibilidad
SD (SDSC)	FAT16	1MB a 2GB	SÍ
SDHC	FAT32	4GB a 32GB	SÍ
SDXC	exFAT (Microsoft)	>32 GB a 2 TB	NO

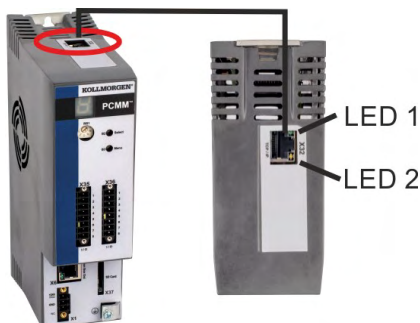
Características

Si una tarjeta SD está conectada en la ranura para SD y no se está ejecutando ninguna aplicación, el menú (iniciado con B3) muestra las posibles funciones de transferencia de datos:

- «copia de seguridad» para copiar el firmware, las configuraciones, las aplicaciones del usuario y los ficheros de datos del usuario del PCMM a la tarjeta SD.
- «restablecer» para cargar el firmware, las aplicaciones del usuario y los ficheros de datos del usuario de la tarjeta SD al PCMM.

6.6.5 Interfaz de servicio (X32)

El control de funcionamiento y de posición y los parámetros de bloqueo del movimiento se pueden configurar usando el software de configuración en un PC comercial normal.



Pin	Señal	Pin	Señal
1	Transmisión +	5	n.c.
2	Transmisión -	6	Recepción -
3	Recepción +	7	n.c.
4	n.c.	8	n.c.

Protocolo	Tipo
Modbus TCP	Bus de servicio
Ethernet TCP/IP	Bus de servicio

Conecte la interfaz de servicio (X32) del PCMM a una interfaz Ethernet directamente en el PC o a través de un conmutador / interruptor de red, **con la alimentación del equipo apagada**. Use cables estándar Cat. 5 Ethernet para la conexión (en algunos casos, los cables cruzados también funcionarán).

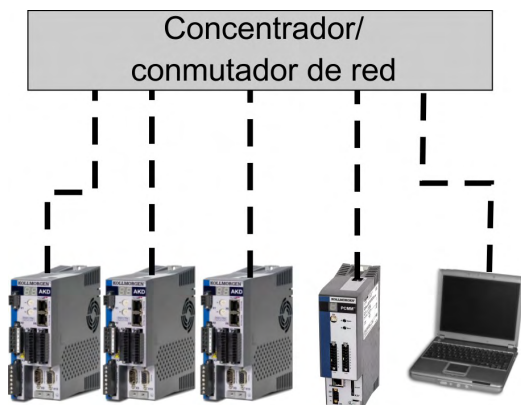
AVISO

No conecte el cable del bus de movimiento a la interfaz de servicio X32. El cable del bus de movimiento debe estar conectado a X6.

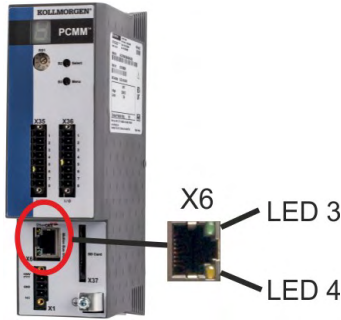
Confirme que el LED de enlace del PCMM (el LED verde en el conector RJ45) y del PC (o conmutador/interruptor de red) están iluminados. Si ambas luces están encendidas, significa que tiene una buena conexión eléctrica.

Conector	LED#	Color	Nombre	Indicación
X32	LED1	Verde	Link	Encendido = recibir señal válida
	LED2	Amarillo	Actividad	Parpadeo = paquete de transmisión o recepción

Configuraciones de red posibles



6.6.6 Interfaz de bus de movimiento (X6)



Pin	Señal
1	Recepción +
2	Recepción -
3	Transmisión +
4, 5	n.c.
6	Transmisión -
7, 8	n.c.

AVISO

No conecte el cable de servicio Ethernet del PC a la interfaz de bus de movimiento X6. El cable de servicio Ethernet debe estar conectado a X32.

Conector	LED#	Color	Nombre	Indicación
X6	LED3	Verde	Link	Encendido = recibir señal válida
	LED4	Amarillo	Actividad	Parpadeo = paquete de transmisión o recepción

6.6.7 Conmutador giratorio (RS1)

Puede usar el conmutador giratorio RS1 para configurar la dirección IP del PCMM. La dirección IP configurada (que depende de la posición actual del conmutador giratorio RS1) se mostrará en los 7 segmentos en el tiempo de conexión del cable Ethernet y en el encendido, si hay un cable Ethernet conectado. Si no hay ningún cable Ethernet conectado, no se mostrará ninguna dirección IP en la pantalla.



Configuración del conmutador giratorio	Dirección IP del PCMM
0	DHCP/dirección AutoIP La dirección IP del dispositivo se obtiene del servidor DHCP de su red. Si no se encuentra el servidor DHCP, la dirección IP será una dirección AutoIP (se genera de manera interna siguiendo el protocolo AutoIP y tendrá el formato 169.254.xx.xx).
1	Dirección IP estática. La dirección IP se configura a través de un software desde un navegador web. La dirección IP por defecto en la posición de conmutador 1 es 192.168.1.101. Para configurar la dirección IP, abra un navegador web e introduzca la dirección IP en la barra de direcciones URL. Aparecerá la página web del PCMM. Vaya a la pestaña Configuración y, a continuación, a la pestaña Red para configurar la dirección IP estática del PCMM.
De 2 a 9	Dirección IP estática. La dirección IP es 192.168.0.10n y n es el número del conmutador giratorio. Esta configuración genera direcciones en un rango entre 192.168.0.102 y 192.168.0.109. Ejemplo: si RS1 está en 5 – la dirección IP es 192.168.0.105

INFORMACIÓN

La máscara de subred del PC debe estar configurada en 255.255.255.0 o 255.255.255.128

Direccionamiento IP estático

Al conectar el PCMM directamente a un PC, hay que usar el direccionamiento IP estático. Coloque el conmutador giratorio RS1 en un número entre el 2 y el 9 (ver tabla más arriba)

Direccionamiento IP dinámico (DHCP y Auto-IP)

Con el RS1 en 0, el PCMM se encuentra en el modo DHCP. El PCMM adquirirá la dirección IP de un servidor DHCP externo, si se encuentra en a red. Si no hay ningún servidor DHCP, el dispositivo asumirá una dirección IP privada automática con el formato 169.254.x.x.

Si su PC está directamente conectado al dispositivo y configurado para obtener una dirección IP de manera automática en la configuración de TCP/IP, se establecerá una conexión entre ambos dispositivos usando direcciones compatibles generadas automáticamente. Un PC puede tardar hasta 60 segundos en configurar una dirección IP privada automática (169.254.x.x).

Cambiar la dirección IP

Si el conmutador se altera mientras se proporciona alimentación lógica de 24 V al PCMM, debe apagar y volver a encender la tensión de alimentación de 24 V. Esto repondrá la dirección.

6.7 Configuración

6.7.1 Notas importantes

AVISO

Antes de realizar la prueba y la configuración, el fabricante de la máquina debe generar una evaluación de riesgos para la máquina y tomar las medidas apropiadas para asegurar que ningún movimiento imprevisto pueda provocar lesiones a alguien o daños materiales.

AVISO

Solo pueden realizar la prueba y la configuración de la unidad el personal especializado y aquellas personas con amplios conocimientos de ingeniería eléctrica y de tecnología de la unidad.

AVISO

Los datos almacenados en el soporte de datos no están protegidos contra alteraciones realizadas por otras personas. Se pueden producir acciones inusuales si usa datos sin comprobar. Después de cargar un conjunto de datos tiene que comprobar siempre todos los parámetros antes de activar la unidad.

6.7.2 Configuración con KAS IDE

Tiene que adaptar el controlador y las unidades a los requisitos de su máquina. Para la mayoría de las aplicaciones, puede usar el software del PC y del KAS IDE (entorno de desarrollo integrado "Kollmorgen Automation Suite) para configurar las condiciones de funcionamiento y los parámetro de su sistema de accionamiento. El PC está conectado al PCMM por medio de un cable Ethernet.

El entorno de desarrollo integrado de KAS IDE contiene herramientas para configurar la red EtherCAT, configurar y ajustar unidades de Kollmorgen, crear un programa PLC y crear un HMI.

El KAS IDE esta disponible en DVD o como envío electrónico. Póngase en contacto con su distribuidor autorizado de Kollmorgen para obtener información. El Runtime de PCMM está disponible en la página web de KDN (<http://kdn.kollmorgen.com>) o Kollmorgen en (<http://www.kollmorgen.com>).

Kollmorgen ofrece formaciones y cursos de familiarización.

INFORMACIÓN

Consulte la guía "*Primeros pasos con KAS*" para realizar la configuración.

6.8 Resolución de problemas del PCMM

Los problemas del controlador de movimiento suceden por diferentes razones, dependiendo de las condiciones de instalación. Las causas de los fallos en los sistemas multieje pueden ser especialmente complejas. Si no puede resolver un fallo o cualquier otro problema usando la guía de resolución de problemas que se presenta más abajo, la asistencia al cliente puede ayudarle.

INFORMACIÓN

Los fallos más comunes aparecen en una lista en el capítulo «Mensajes de error y de advertencia» (→ # 137). En la ayuda en línea podrá encontrar más información sobre cómo resolver fallos.

7 Русский

7.1 Общие сведения	112
7.1.1 Примечания к изданию в печатной версии	112
7.1.2 Используемые символы	112
7.1.3 Используемые сокращения	113
7.1.4 Используемые стандарты	113
7.2 Безопасность	114
7.2.1 Необходимо обратить внимание на следующее	114
7.2.2 Использование по назначению	115
7.2.3 Запрещенное использование	115
7.3 Эксплуатация	116
7.3.1 Транспортировка	116
7.3.2 Упаковка	116
7.3.3 Хранение	116
7.3.4 Вывод из эксплуатации	116
7.3.5 Техническое обслуживание и очистка	117
7.3.6 Демонтаж	117
7.3.7 Ремонт	117
7.3.8 Утилизация	118
7.4 Техническое описание и характеристики	119
7.4.1 PCMM Motion Controller	119
7.4.2 Комплект поставки	119
7.4.3 Технические характеристики	120
7.5 Механический монтаж	121
7.5.1 Важные замечания	121
7.5.2 Руководство по механическому монтажу	121
7.6 Электрический монтаж	122
7.6.1 Важные замечания	122
7.6.2 Руководство по электрическому монтажу	122
7.6.3 Кнопки (B2, B3)	123
7.6.4 Слот для SD-карты	124
7.6.5 Сервисный интерфейс (X32)	125
7.6.6 Интерфейс шины перемещения (X6)	126
7.6.7 Поворотный выключатель (RS1)	126
7.7 Настройка	128
7.7.1 Важные замечания	128
7.7.2 Настройка при помощи KAS IDE	128
7.8 Устранение неисправностей в PCMM	128

7.1 Общие сведения

Настоящее *Installation Manual PCMM* содержит важную информацию, относящуюся к установке и настройке PCMM Motion Controller (контроллера перемещения).

К дополнительной документации относится следующее:

- **Связь по протоколу EtherCAT** (в формате PDF): описывает порядок использования приобретенного контроллера в системах EtherCAT.
- **Связь по протоколу Ethernet/IP**: описывает порядок использования приобретенного контроллера в системах Ethernet/IP.
- **KAS Онлайн-справка** (в формате WebHelp): описывает порядок использования приобретенного контроллера в стандартных системах. Кроме того, документ содержит советы по настройке и обеспечению максимальной производительности вашей системы. Онлайн-справка включает *Справочное руководство по параметрам и командам*, содержащее информацию о параметрах и командах, используемых для программирования системы перемещения.

Все документы можно загрузить в KDN (<http://kdn.kollmorgen.com>) или Kollmorgen на сайте (<http://www.kollmorgen.com>).




7.1.1 Примечания к изданию в печатной версии

К каждому изделию прилагается печатное издание руководства. По экологическим соображениям этот документ отпечатан в формате DIN A5.

INFO

Если мелкий шрифт этого экземпляра вызывает проблемы при чтении, можно распечатать PDF-версию в формате DIN A4 (масштаб 1:1) и использовать ее. PDF-версия имеется на компакт-диске, прилагаемом к изделию, и на интернет-сайте Kollmorgen.

7.1.2 Используемые символы

Symbol	Значение
 ОПАСНО	Указывает на опасную ситуацию, которая приведет к смерти или тяжелым и неизлечимым травмам, если ее не предотвратить.
 ВНИМАНИЕ	Указывает на опасную ситуацию, которая может привести к смерти или тяжелым и неизлечимым травмам, если ее не предотвратить.
 ОСТОРОЖНО	Указывает на опасную ситуацию, которая может привести к легким травмам, если ее не предотвратить.
УКАЗАНИЕ	Не является условным обозначением, относящимся к обеспечению безопасности. Указывает на ситуацию, которая может привести к материальному ущербу, если ее не предотвратить.
INFO	Не является условным обозначением, относящимся к обеспечению безопасности. Данное условное обозначение указывает на важную информацию.

7.1.3 Используемые сокращения

Сокращение	Значение
(→ # 53)	«см. стр. 53» в данном документе
CE	Европейское сообщество
EMC	Электромагнитная совместимость
ПК	Персональный компьютер
PCMM	означает P rogrammable C ontroller M ulti-Axis M aster. (программируемый многоосевой контроллер).
PE	Защитное заземление
RCD	Устройство защитного отключения
SFF	Доля безопасных отказов
VAC	Вольты, переменного тока
VDC	Вольты, постоянного тока

7.1.4 Используемые стандарты

Standard	Content
ISO 4762	Винты с цилиндрической головкой и внутренним шестигранником под ключ
ISO 12100	Безопасность машинного оборудования: основные положения, общие принципы конструирования
IEC 60085	Электрическая изоляция - оценка нагревостойкости и обозначения, техническое обслуживание
IEC 60204	Безопасность машинного оборудования: электрооборудование машин
IEC 60364	Низковольтные электроустановки
IEC 60439	Низковольтная коммутационная аппаратура и механизмы управления
IEC 60529	Система классификации степеней защиты (код IP)
IEC 60721	Классификация условий окружающей среды
IEC 61000	Электромагнитная совместимость (ЭМС)
IEC 61131	Программируемые контроллеры
IEC 61491	Электрооборудование станков – канал для последовательной передачи данных в реальном времени между системами управления и приводами.
IEC UL 61010-1	Требования по безопасности для электрооборудования при проведении измерений, контроле и использовании в лабораторных условиях
IEC 82079	Подготовка руководств по эксплуатации - структура, содержание и подача материала

IEC - Международная электротехническая комиссия

ISO - Международная организация по стандартизации

UL - Underwriters Laboratories Inc.

7.2 Безопасность

7.2.1 Необходимо обратить внимание на следующее

Следует обратиться к специалисту!

К выполнению таких задач, как транспортировка, монтаж, настройка и техническое обслуживание, допускается только квалифицированный персонал. Квалифицированными специалистами считаются лица, имеющие опыт транспортировки, установки, монтажа, пуско-наладочных работ и эксплуатации РСММ и обладающие минимально достаточной квалификацией для выполнения своих обязанностей:

- Транспортировка: только персонал, умеющий работать с компонентами, чувствительными к электростатическому разряду.
- Распаковка: только персонал, имеющий навыки работы с электрооборудованием.
- Монтаж: только персонал, имеющий навыки работы с электрооборудованием.
- Базовые проверки / пусконаладка: только персонал, имеющий навыки работы с электрооборудованием и приводами

Квалифицированный персонал должен знать и соблюдать требования стандартов ISO 12100 / IEC 60364 / IEC 60664, а также национальных правил по предотвращению несчастных случаев.

Прочитайте документацию!

Прочитайте доступную документацию перед монтажом и вводом в эксплуатацию. Неправильное обращение с приводом может стать причиной травм или повреждения оборудования. Оператор систем, в которых используется РСММ, обязан допускать к работе с системой перемещения только тех лиц, которые прочитали и осознали требования Руководства.

Проверьте версию аппаратного обеспечения!

Проверьте номер версии аппаратного обеспечения (см. заводскую табличку). Этот номер связывает ваше изделие и руководство, он должен совпадать с номером версии аппаратного обеспечения на обложке руководства.

Обратите внимание на технические характеристики!

Придерживайтесь технических данных и спецификаций при выборе условий подключения (заводская табличка и документация). Превышение допустимых значений напряжения или тока может привести к повреждению РСММ.

Выполните оценку рисков!

Производитель машины должен произвести оценку рисков для машины и принять соответствующие меры, исключая возможность нанесения травм или повреждений имущества вследствие непредвиденных движений машины. По результатам оценки рисков к специалистам могут быть предъявлены дополнительные требования.

Учитывайте наличие компонентов, чувствительных к электростатическому разряду!

РСММ содержит компоненты, которые чувствительны к электростатическому разряду и могут быть повреждены при некорректном обращении. Необходимо сбросить электростатический заряд с тела перед прикосновением к РСММ. Избегайте контакта с материалами с высоким электрическим сопротивлением (искусственными тканями, полимерными пленками и т.п.). Установите РСММ на проводящую поверхность.

Запрещается вносить модификации в продукты!

Не допускается внесение изменений в конструкцию РСММ без разрешения производителя. Вскрытие корпуса приведет к потере гарантии.

7.2.2 Использование по назначению

PCMM предназначены для управления Kollmorgen приводами в системах с сервоприводами.

PCMM встраиваются в электрические установки или машины и могут эксплуатироваться исключительно в качестве встроенных компонентов этих установок или машин. Производитель машины, в которой используется PCMM должен выполнить оценку рисков для машины.

Если PCMM встраиваются в машины или установки, эксплуатация приводной системы разрешается только после того, как будет установлено, что машина или установка соответствует местным директивам.

Электрический шкаф и проводка

Эксплуатация PCMM разрешена только в закрытом шкафу управления соответствующем (Постоянное подключение) условиям окружающей среды (→ # 120).

Может потребоваться обеспечить вентиляцию или охлаждение для поддержания температуры внутри шкафа ниже 55 °C.

Для кабельной разводки используйте только медные провода. Сечение проводов определяется стандартом IEC 60204 (альтернатива сечению AWG: NEC таблица 310-16, графа 75 °C).

Источник питания

PCMM может питаться от промышленных электросетей 24 В пост. тока.

7.2.3 Запрещенное использование

Запрещается использовать устройство в целях, отличающихся от изложенных в главе «Использование по назначению», так как это может привести к травмам персонала и повреждению оборудования. PCMM не может использоваться в машине, не соответствующей подходящим национальным директивам или стандартам Кроме того, запрещается использовать PCMM в следующих средах:

- в потенциально взрывоопасных зонах
- в присутствии коррозионно-активных и / или электропроводящих кислот, щелочных растворов, масел, паров, пыли

7.3 Эксплуатация

7.3.1 Транспортировка

При транспортировке РСММ следует руководствоваться стандартом IEC 61800-2:

- Изделие должно транспортироваться только квалифицированным персоналом в оригинальной экологичной упаковке. Избегайте ударов при транспортировке.
- При хранении высота штабеля не должна превышать 8 рядов.
- При транспортировке должен соблюдаться температурный диапазон: -25 до +70 °С, макс. скорость изменения 20 К/час, класс 2К3.
- При транспортировке должен соблюдаться диапазон влажности: относительная влажность не выше 95%, без конденсации, класс 2К3.

УКАЗАНИЕ

РСММ содержит компоненты, которые чувствительны к электростатическому разряду и могут быть повреждены при некорректном обращении. Необходимо сбросить электростатический заряд с тела перед прикосновением к РСММ. Избегайте контакта с материалами с высоким электрическим сопротивлением, такими как искусственные ткани и полимерные пленки. Установите РСММ на проводящую поверхность.

В случае повреждения упаковки проверьте изделие на отсутствие видимых повреждений. Проинформируйте перевозчика и производителя о любых повреждениях упаковки или продукта.

7.3.2 Упаковка

Упаковка РСММ содержит картон, пригодный для повторного использования, со вкладышами и табличкой на наружной стороне коробки.

Габариты упаковки (ВхШхГ): 107 мм x 268 мм x 220 мм

Общая масса: 1,2 кг

7.3.3 Хранение

При транспортировке РСММ следует руководствоваться стандартом IEC 61800-2:

- Изделие должно храниться только в оригинальной упаковке.
- При хранении высота штабеля не должна превышать 8 рядов.
- При транспортировке должен соблюдаться температурный диапазон: от -25 до +55 °С, макс. скорость изменения 20 К/час, класс 1К4.
- При хранении должен соблюдаться диапазон влажности: относительная влажность 5 - 95%, без конденсации, класс 1К3.

7.3.4 Вывод из эксплуатации

УКАЗАНИЕ

К выводу частей системы привода из эксплуатации допускаются только квалифицированные сотрудники, специализирующиеся в области электротехники.

- Выключите главный выключатель электрошкафа.
- Заблокируйте систему от повторного включения.
- Заблокируйте главный выключатель.

7.3.5 Техническое обслуживание и очистка

Сервоусилители не требуют техобслуживания. В случае вскрытия устройства гарантия теряет силу. Чистка прибора внутри может выполняться только изготовителем.

УКАЗАНИЕ

Не погружайте сервоусилитель в жидкость и не опрыскивайте его. Не допускайте попадания жидкости в устройство.

Чистка сервоусилителя снаружи выполняется так:

1. Вывод устройства из эксплуатации (см. главу 7.3.4 "Вывод из эксплуатации").
2. Корпус: очистка изопропанолом или аналогичным средством.
ОСТОРОЖНО : Легко воспламеняется! Опасность получения травмы от взрыва и пожара.
 - Соблюдайте указания на упаковке чистящего средства по его безопасному использованию.
 - После очистки ввод устройства в эксплуатацию разрешается не ранее чем через 30 минут.
3. Защитная решетка вентилятора: очистка сухой кисточкой.

7.3.6 Демонтаж

УКАЗАНИЕ

Замену компонентов системы должны выполнять только специалисты электрики.

Извлеките устройство

1. Вывод устройства из эксплуатации (см. главу 7.3.4 "Вывод из эксплуатации").
2. Отсоедините все штекерные разъемы. Последним отсоедините провод заземления.
3. Демонтаж: Выверните крепёжные винты и демонтируйте устройство.

7.3.7 Ремонт

УКАЗАНИЕ

Замену компонентов системы должны выполнять только специалисты электрики.

ОПАСНО: Автоматический пуск! Во время работ по замене возможны комбинированные и неоднократные опасные ситуации.

- Электромонтажные работы могут выполняться только обученным и квалифицированным персоналом в соответствии с правилами безопасности на рабочем месте и только при условии использования предписанных средств индивидуальной защиты.

Замена РСММ

Ремонт блока может только изготовитель. Вскрытие устройства означает потерю гарантии.

1. Вывод устройства из эксплуатации (см. главу 7.3.4 "Вывод из эксплуатации").
2. Демонтаж (Смотрите раздел 7.3.6 "Демонтаж").
3. Отправьте устройство изготовителю.
4. Установите новое устройство, как описано в этом руководстве.
5. Введите систему в эксплуатацию, как описано в этом руководстве.

Замена прочих деталей приводной системы

Если детали приводной системы (например кабели) нуждаются в замене, действуйте следующим образом:

1. Вывод устройства из эксплуатации (см. главу 7.3.4 "Вывод из эксплуатации").
2. Замените детали.
3. Проверьте все штекерные разъемы на правильность подсоединения.
4. Введите систему в эксплуатацию, как описано в этом руководстве.

7.3.8 Утилизация

УКАЗАНИЕ

Для надлежащей утилизации устройства обращайтесь в сертифицированную фирму по утилизации электронного лома.

Согласно директивам WEEE-2002/96/EG и аналогичным изготовитель принимает старое оборудование для надлежащей утилизации. Транспортные расходы несет отправитель.

Отправляйте приборы (в оригинальной упаковке) на адреса изготовителя, указанные в следующей таблице.

Северная Америка	Южная Америка
KOLLMORGEN 201 West Rock Road Radford, VA 24141, USA	KOLLMORGEN Avenida Tamboré - 1077 Tamboré Barueri - SP Brasil CEP: 06460-000, Brazil
Европа	Азия
KOLLMORGEN Europe GmbH Pempelfurtstr. 1 40880 Ratingen, Germany	KOLLMORGEN Floor 4, Building 9, No. 518, North Fuquan Road, Changning District, Shanghai 200335, China

7.4 Техническое описание и характеристики

7.4.1 PCMM Motion Controller

PCMM означает **P**rogrammable **C**ontroller **M**ulti-Axis **M**aster (программируемый многоосевой контроллер). Контроллер содержит программируемую систему управления перемещением, использующую двигатели PLCOpen или PipeNetwork и ПЛК с поддержкой 5 языков IEC 61131.

EtherCAT соединяет PCMM с прочими компонентами приводной системы.

7.4.2 Комплект поставки

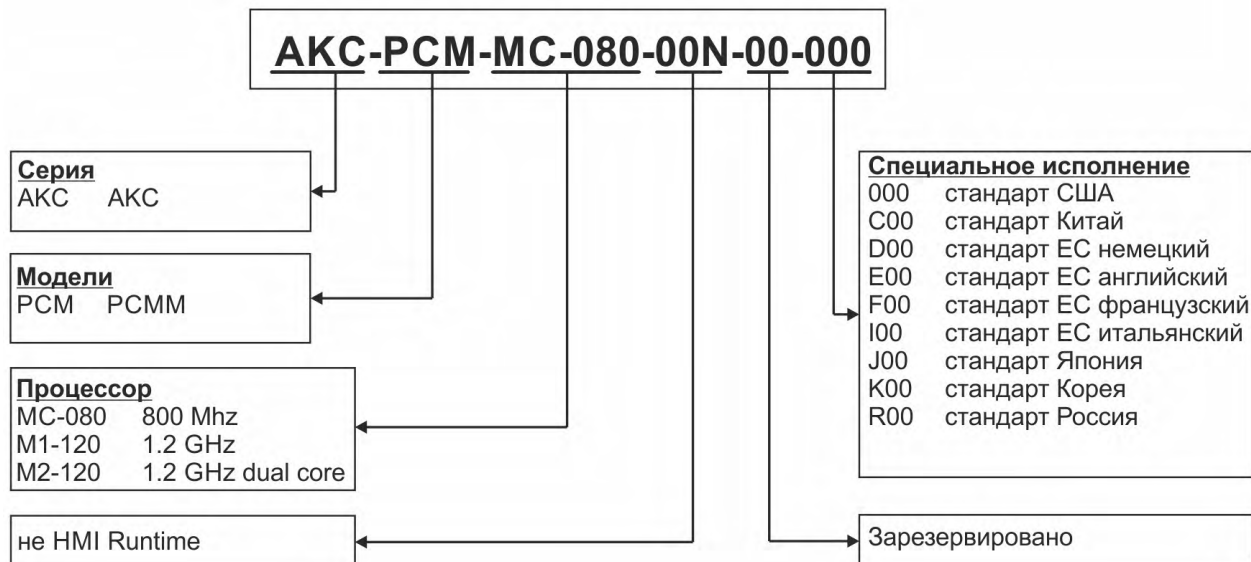
В комплект поставки заказанного контроллера PCMM входят следующие позиции:

- PCMM
- Отпечатанная копия *Installation Manual PCMM*
- Соединительные разъемы X1, X35 и X36

INFO

Соединительные разъемы SubD и RJ45 не входят в комплект поставки.

Типовые обозначения



7.4.3 Технические характеристики

Номинальные характеристики

Электрические характеристики	Единицы измерения	PCMM
Номинальное напряжение питания, см. (→ # 133)	В пост. тока	24 В ±10%
Номинальный входной ток	А	1,25
Номинальная входная мощность	Вт	30
Разрешенная частота включения / выключения	1/час	30
Механические характеристики		
Масса (при стандартной ширине)	кг	0.45
Размеры (ВхШхГ), см. (→ # 130)	мм	174 x 50 x 111,5
Размеры (ВхШхГ) с коннекторами, см. (→ # 130)	мм	208 x 50 x 147,5
Рекомендованные моменты затяжки		
X1, X35, X36	Нм (in-lbf)	0,2 - 0,25 (2)
РЕ-блок	Нм (in-lbf)	1.7 (15)

Расплавление

Цепь	Макс. номинал тока	Пример класса J медный Bussmann	Пример класса J Ferraz Shawmut
Питание 24 В пост. тока	8А (с задержкой)	LPJ8SP/DFJ8	AJT8

Входы / выходы

Интерфейс	Электрические характеристики
Цифровые входы см. (→ # 135)	<ul style="list-style-type: none"> ● ВКЛ: от 3,5 В пост. тока до 30 В пост. тока, от 2 мА до 15 мА ● ВЫКЛ: от -2 В пост. тока до 2 В пост. тока, макс. 15 мА ● Гальваническая развязка на 250 В пост. тока ● Скорость обновления: 250 мс ● Source/Sink тип
Цифровые выходы см. (→ # 136)	<ul style="list-style-type: none"> ● Макс. 30 В пост. тока, 100 мА ● С защитой от короткого замыкания ● Гальваническая развязка на 250 В пост. тока ● Скорость обновления: 1 мс ● С активным низким уровнем или с активным высоким уровнем

Условия окружающей среды, вентиляция и монтажное положение

Хранение, транспортировка	(→ # 116)
Температура окружающей среды при эксплуатации	от 0 до +55° С при нормальных условиях
Влажность при эксплуатации	Относительная влажность от 5 до 85%, без конденсации, класс 3К3. согласно IEC 60721-3-3
Высота над уровнем моря	До 2500 м над уровнем моря без снижения номинальных характеристик
Уровень загрязнения	Уровень загрязнения 2 согласно IEC 61010-1
Вибрация	Класс 3М1 согласно IEC 60721-3-3
Пылевлагозащита	IP 20 согласно IEC 60529
Монтажное положение	Вертикальное
Вентиляция	Естественная конвекция

7.5 Механический монтаж

INFO

Размеры см. (→ # 130).

7.5.1 Важные замечания

УКАЗАНИЕ

Защитите РСММ от недопустимых нагрузок. В частности, не допускайте изгибания любых компонентов или сокращения изоляционного расстояния во время транспортировки и эксплуатации. Избегайте соприкосновения с электронными компонентами и контактами.

УКАЗАНИЕ

РСММ автоматически выключается при перегреве. Убедитесь в наличии достаточного притока холодного фильтрованного воздуха в нижнюю часть шкафа управления или воспользуйтесь теплообменником.

УКАЗАНИЕ

Не устанавливайте изделия, генерирующие магнитные поля, непосредственно рядом с РСММ. Сильные магнитные поля могут непосредственно влиять на внутренние компоненты. Устанавливайте изделия, генерирующие магнитные поля, на расстоянии от РСММ и / или экранируйте магнитные поля.

7.5.2 Руководство по механическому монтажу

Следующие инструменты (по минимуму) потребуются для монтажа РСММ; в зависимости от конкретной ситуации могут потребоваться дополнительные инструменты:

- Винты с цилиндрической головкой и внутренним шестигранником под ключ М4 (ISO 4762)
- Шестигранный ключ 3 мм с Т-образной рукояткой
- Отвертка № 2 Phillips
- Малая шлицевая отвертка

Установите модуль РСММ следующим образом:

1. Подготовьте место установки. Установите РСММ в закрытый шкаф управления. На месте установки не должно быть проводящих или корродирующих материалов.
2. Проверьте вентиляцию. Убедитесь, что вентиляции РСММ ничего не препятствует, и обеспечьте поддержание допустимой температуры окружающей среды (→ # 120). Соблюдайте требуемые зазоры выше и ниже РСММ.
3. Проверьте систему охлаждения. Если шкаф управления оснащен системами охлаждения, разместите систему охлаждения таким образом, чтобы конденсат не мог попадать на РСММ или периферийные устройства.
4. Установите РСММ. Установите РСММ и источник питания рядом друг с другом на проводящую заземленную монтажную пластину в шкафу управления.
5. Заземлите РСММ. Заземлите монтажную пластину, корпус РСММ и CNC-GND системы управления.

7.6 Электрический монтаж

INFO

Обзор коннекторов и входов / выходов см. (→ # 131).

7.6.1 Важные замечания

УКАЗАНИЕ

К установке привода допускаются только специалисты, имеющие соответствующую электротехническую квалификацию. Зеленые провода с одной или несколькими желтыми полосами разрешается использовать только для защитного заземления (PE).

УКАЗАНИЕ

Внешние предохранители чрезмерно большого номинала могут привести к повреждению кабелей и устройств. Пользователю следует установить предохранитель цепи питания 24 В, наиболее подходящие номиналы (→ # 120).

INFO

Допустимо использовать программное обеспечение (KAS IDE) для изменения настроек устройства. Любое иное вмешательство приведет к потере гарантии.

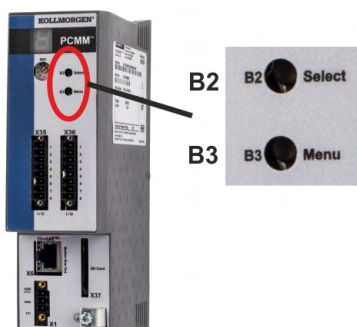
7.6.2 Руководство по электрическому монтажу

Установите электрическую систему PCMM следующим образом:

1. Выберите кабели в соответствии с IEC 60204 .
2. Установите экран и заземлите PCMM.
Заземлите монтажную пластину, корпус и CNC-GND системы управления.
3. Соедините все интерфейсы в соответствии со схемами электрических соединений в (→ # 131).

7.6.3 Кнопки (B2, B3)

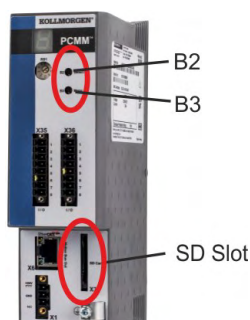
Кнопки можно использовать для запуска предварительно определенных функций.



Функция	Кнопка	Примечания
Функции с исполнением при загрузке (нажмите и удерживайте кнопку во время включения питания)		
Режим восстановления	B2	Нажмите и удерживайте для загрузки в режиме восстановления.
Меню	B3	Нажмите и удерживайте для блокировки автоматического запуска приложения и запуска навигации по пунктам меню.
Функции управления (нажмите кнопку в нормальном режиме эксплуатации)		
Меню	B3	Нажмите для запуска навигации по пунктам меню. Пункты меню последовательно отображаются на 7-сегментном светодиодном индикаторе с задержкой в 10 с. Их можно выбрать нажатием B2.
Выбор пункта меню	B2	Нажмите во время отображения нужного пункта меню, чтобы выполнить действие. Приложение работает , доступные пункты меню: <ul style="list-style-type: none"> • IP-адрес • 'stop' (останов) приложения (подтверждение) Ни одно приложение не работает , доступные пункты меню: <ul style="list-style-type: none"> • IP-адрес • 'start' (запуск) приложения (подтверждение) • 'reset' (сброс) на заводские настройки (подтверждение) • 'backup' (резервное копирование на SD-карту) (подтверждение) • 'restore' (восстановление) с SD-карты (подтверждение)
Подтверждение	B2	Если выбранный пункт меню требует подтверждения, будет выведено «у» на 10 с - для подтверждения нажмите B2.

7.6.4 Слот для SD-карты

PCMM имеет слот SD-карты, а кнопки B2 и B3 служат для запуска передачи файлов с / на PCMM и карту памяти SD. Эти функции можно также запустить из программы KAS IDE. Детальное описание приведено в онлайн-справке KAS.



PCMM Операции резервного копирования / восстановления (с PCMM на SD или с SD на PCMM) не могут быть выполнены во время работы приложения.

INFO

Остановите приложение из браузера или используйте B2/B3 «stop» перед запуском любой функции SD-карты.

В случае возникновения ошибки во время сохранения / загрузки номер ошибки будет выведен на однократный дисплей в виде буквы E и двух следующих за ней цифр. Коды неисправностей (→ # 137).

Поддерживаемые типы SD-карт

SD-карты предварительно отформатированы производителем. В следующей таблице приведены типы SD-карт и их поддержка PCMM.

Тип SD-карты	Файловая система	Емкость	Поддерживается
SD (SDSC)	FAT16	От 1 МБ до 2 ГБ	да
SDHC	FAT32	От 4 ГБ до 32 ГБ	да
SDXC	exFAT (Microsoft)	>32 ГБ до 2 ТБ	нет

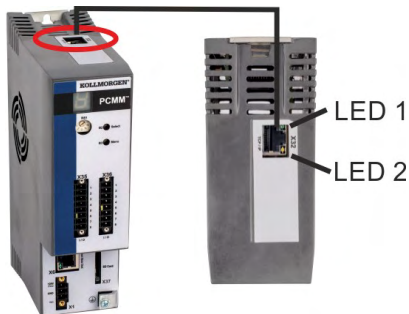
Функции

Если SD-карта вставлена в SD-слот, а приложение не работает, меню кнопки (открывается кнопкой B3) показывает возможные варианты передачи данных:

- 'backup' для копирования микропрограммного обеспечения, конфигураций, пользовательских приложений и файлов с данными пользователя с PCMM на SD-карту.
- 'backup' для загрузки микропрограммного обеспечения, конфигураций, пользовательских приложений и файлов с данными пользователя с PCMM на SD-карту.

7.6.5 Сервисный интерфейс (X32)

Параметры управления, позиционирования и движения можно задавать через программное обеспечение, работающее на обычном ПК.



Контакт	Сигнал	Контакт	Сигнал
1	Передача +	5	нормально замкнутый
2	Передача -	6	Прием -
3	Прием +	7	нормально замкнутый
4	нормально замкнутый	8	нормально замкнутый

Протокол	Тип
Modbus TCP	Сервисная шина
Ethernet TCP/IP	Сервисная шина

Подсоедините служебный интерфейсный блок (X32) PCMM к Ethernet-порту ПК непосредственно или через сетевой хаб/концентратор, **пока выключено питание оборудования**. Используйте стандартные кабели Cat.5 Ethernet для подсоединения (в некоторых случаях можно использовать кроссовер-кабели).

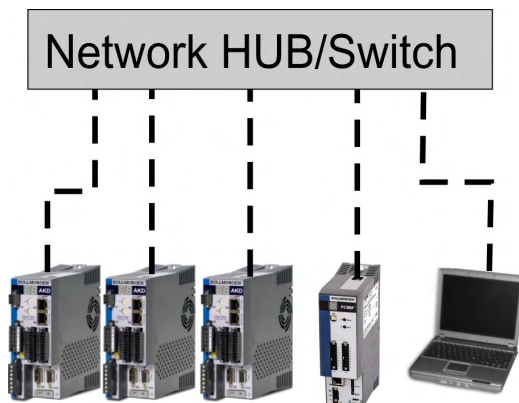
УКАЗАНИЕ

Не подсоединяйте кабель шины перемещения к сервисному интерфейсу X32. Кабель шины перемещения следует подсоединить к X6.

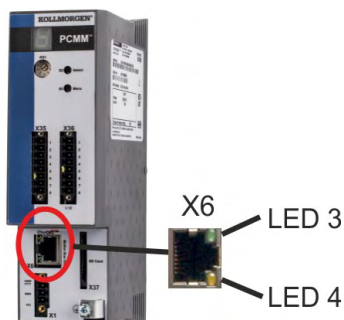
Убедитесь, что светодиод связи на PCMM (зеленый светодиод на коннекторе RJ45) и на ПК (или сетевом хабе/концентраторе) горят. Если оба светодиода горят, значит электрическое соединение установлено успешно.

Соединител	LED#	цвет	имя	индикация
X32	LED1	зеленый	Ссылка	Вкл = принимаемый сигнал действителен
	LED2	желтый	Мероприятия	мигает = передать или получить пакет

Возможные конфигурации сети



7.6.6 Интерфейс шины перемещения (X6)



Контакт	Сигнал
1	Прием +
2	Прием -
3	Передача +
4, 5	нормально замкнутый
6	Передача -
7, 8	нормально замкнутый

УКАЗАНИЕ

Не подсоединяйте сервисный кабель Ethernet для ПК к интерфейсу шины перемещения X6. Сервисный кабель Ethernet следует подсоединить к X32.

Соединитель	LED#	цвет	имя	индикация
X6	LED3	зеленый	Ссылка	Вкл = принимаемый сигнал действителен
	LED4	желтый	Мероприятия	мигает = передать или получить пакет

7.6.7 Поворотный выключатель (RS1)

Поворотный выключатель RS1 можно использовать для задания IP-адреса PCMM. Сконфигурированный IP-адрес (в зависимости от текущего положения поворотного выключателя RS1) отображается на 7-сегментном индикаторе в момент подсоединения кабеля Ethernet и при включении питания, если кабель Ethernet уже подсоединен. Если кабель Ethernet не подсоединен, IP-адрес не будет отображаться на дисплее.



RS1	PCMMIP-адрес
0	DHCP/AutoIP-адрес. IP-адрес устройства присваивается DHCP-сервером вашей сети. Если DHCP-сервер не найден, IP-адреса приравниваются к AutoIP-адресу (генерируются внутри системы в соответствии с протоколом AutoIP и имеют формат 169.254.xx.xx).
1	Статический IP-адрес. IP-адрес может настраиваться программно из браузера. Стандартный IP-адрес выключателя в положении 1 - 192.168.1.101. Для настройки IP-адреса откройте браузер и введите IP-адрес в строку URL. Откроется страница PCMM. Перейдите на вкладку Settings (Настройки), далее на вкладку Network (Сеть) для настройки статического IP-адреса PCMM.
От 2 до 9	Статический IP-адрес. IP-адрес равен 192.168.0.10n, где n - число со стороны поворотного выключателя. Эта настройка присваивает адреса в диапазоне от 192.168.0.102 до 192.168.0.109. Пример: если RS1 выставлен на 5 – IP-адрес будет равен 192.168.0.105

INFO

Маска подсети ПК должна быть выставлена на 255.255.255.0 или 255.255.255.128

Статическая IP-адресация

При подсоединении РСММ непосредственно к ПК необходимо использовать статическую IP-адресацию. Установите поворотный выключатель RS1 на значение от 2 до 9 (см. таблицу выше)

Динамическая IP-адресация (DHCP и Auto-IP)

Если RS1 выставлен на 0, РСММ находится в режиме DHCP. РСММ получает свой IP-адрес от внешнего DHCP-сервера, если он имеется в сети. При отсутствии DHCP-сервера устройство получает автоматический частный IP-адрес формата 169.254.x.x.

Если ваш ПК непосредственно подсоединен к устройству и настроен на автоматическое получение IP-адреса в настройках TCP/IP, соединение устанавливается с обоими устройствами с помощью совместимых автоматически генерируемых адресов. Может потребоваться до 60 секунд для конфигурирования компьютером автоматического частного IP-адреса (169.254.x.x).

Изменение IP-адреса

В случае изменения положения выключателя при включенном питании 24 В логических устройств на РСММ потребуется выключить и снова включить напряжение питания 24 В. При этом адрес будет сброшен.

7.7 Настройка

7.7.1 Важные замечания

УКАЗАНИЕ

Перед тестированием и настройкой производитель машины должен произвести оценку рисков для машины и принять соответствующие меры, исключающие возможность нанесения травм или повреждений имущества вследствие непредвиденных движений машины.

УКАЗАНИЕ

К тестированию и настройке привода допускаются только специалисты, имеющие навыки работы с электрооборудованием и приводами.

УКАЗАНИЕ

Данные, сохраненные на носителе данных, могут быть непреднамеренно изменены другими лицами. При использовании непроверенных данных могут быть получены неожиданные результаты. Поэтому после загрузки данных необходимо всегда проверять все параметры до включения привода.

7.7.2 Настройка при помощи KAS IDE

Контроллер и приводы следует адаптировать к требованиям вашей машины. В большинстве приложений можно использовать ПК и программное обеспечение KAS IDE (среду разработки Kollmorgen Automation Suite Integrated) для настройки условий эксплуатации и параметров вашей системы управления перемещением. ПК подсоединен к PCMM кабелем Ethernet.

Встроенная среда разработки KAS IDE содержит инструменты для конфигурирования сети EtherCAT, настройки приводов Kollmorgen, написания программы ПЛК и создания человеко-машинного интерфейса (HMI).

KAS IDE можно получить на DVD или загрузить из сети. Обратитесь к своему дилеру Kollmorgen за подробной информацией. PCMM Runtime можно загрузить в KDN (<http://kdn.kollmorgen.com>) или Kollmorgen на сайте (<http://www.kollmorgen.com>).

Kollmorgen предлагает обучающие и ознакомительные курсы.

INFO

Дальнейшая настройка описана в руководстве «KAS getting started».

7.8 Устранение неисправностей в PCMM

Неисправности Motion Controller могут возникнуть по разнообразным причинам, в зависимости от условий установки. Причины неисправностей в многоосевых системах могут быть особо сложными. Если не удастся устранить неисправность или иную проблему с помощью приведенного ниже руководства по устранению неисправностей, обратитесь в службу поддержки клиентов.

INFO

Наиболее часто встречающиеся неисправности приведены в главе «Сообщения о неисправностях и предупреждения» (→ # 137). Сведения об устранении неисправностей приведены в онлайн-справке.

8 Appendix

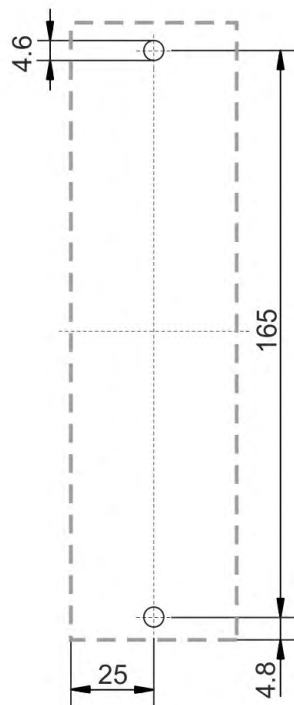
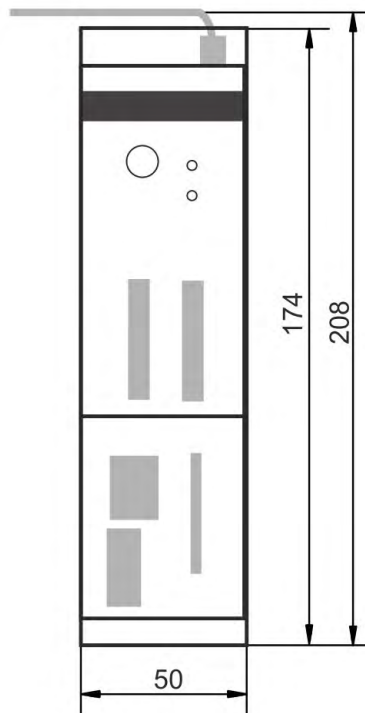
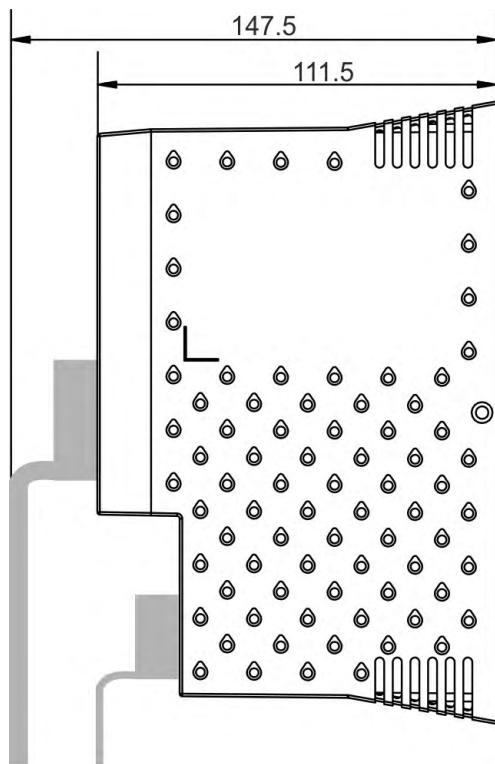
8.1 Dimensions	130
8.2 Connections	131
8.2.1 Connector assignment	131
8.2.2 Connection overview	132
8.2.3 Power supply 24 V (X1)	133
8.2.4 I/O Connection	134
8.3 Error and alarm messages	137
8.4 Approvals	138
8.4.1 Conformance with UL/cUL	138
8.4.2 Conformance with CE	138
8.4.3 Conformance with REACH	139
8.4.4 Conformance with RoHS	139

8.1 Dimensions

NOTE

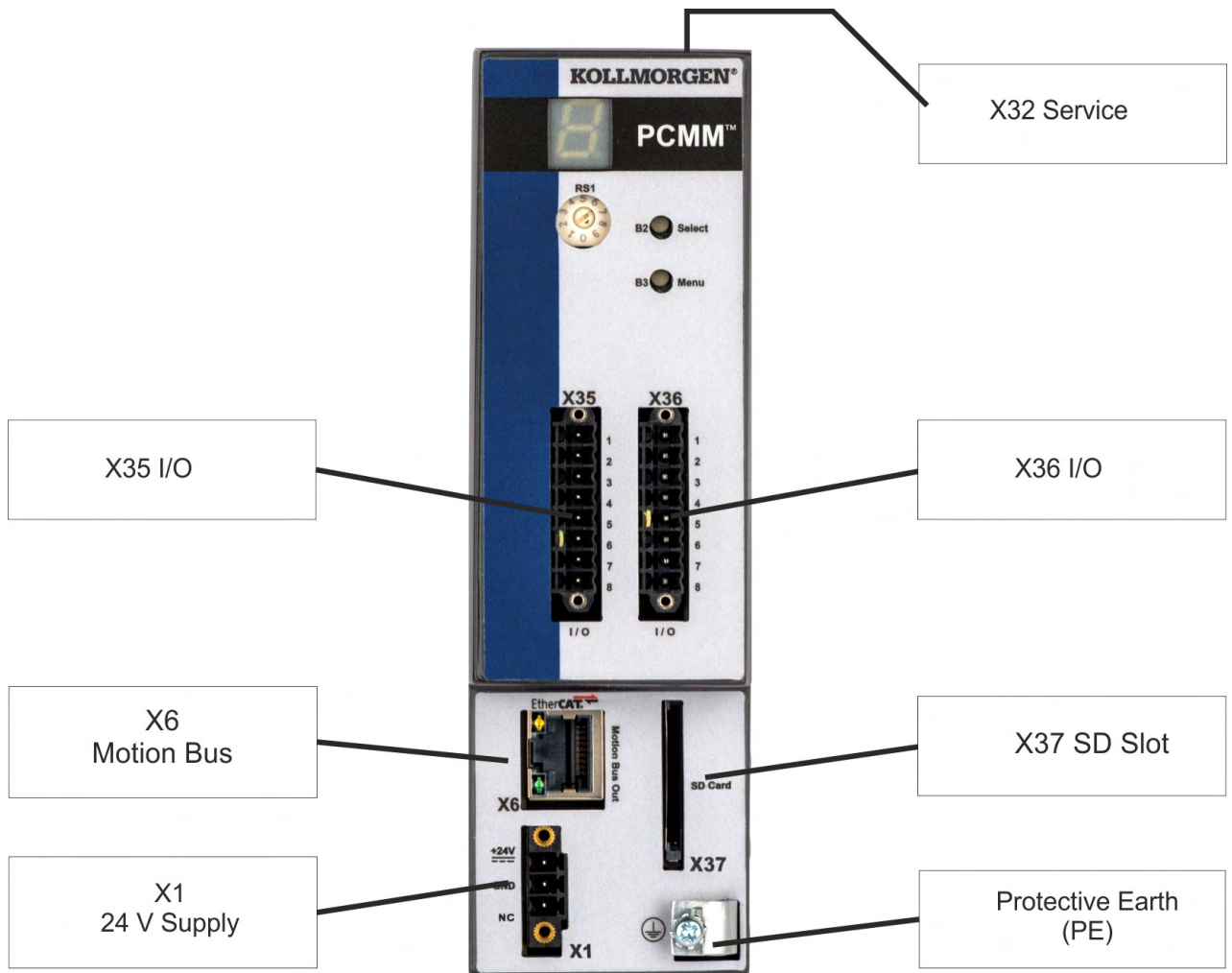
All dimensions in mm.

Mounting material: M4 hexagon socket screws to ISO 4762, 3 mm T-handle Allen key



8.2 Connections

8.2.1 Connector assignment



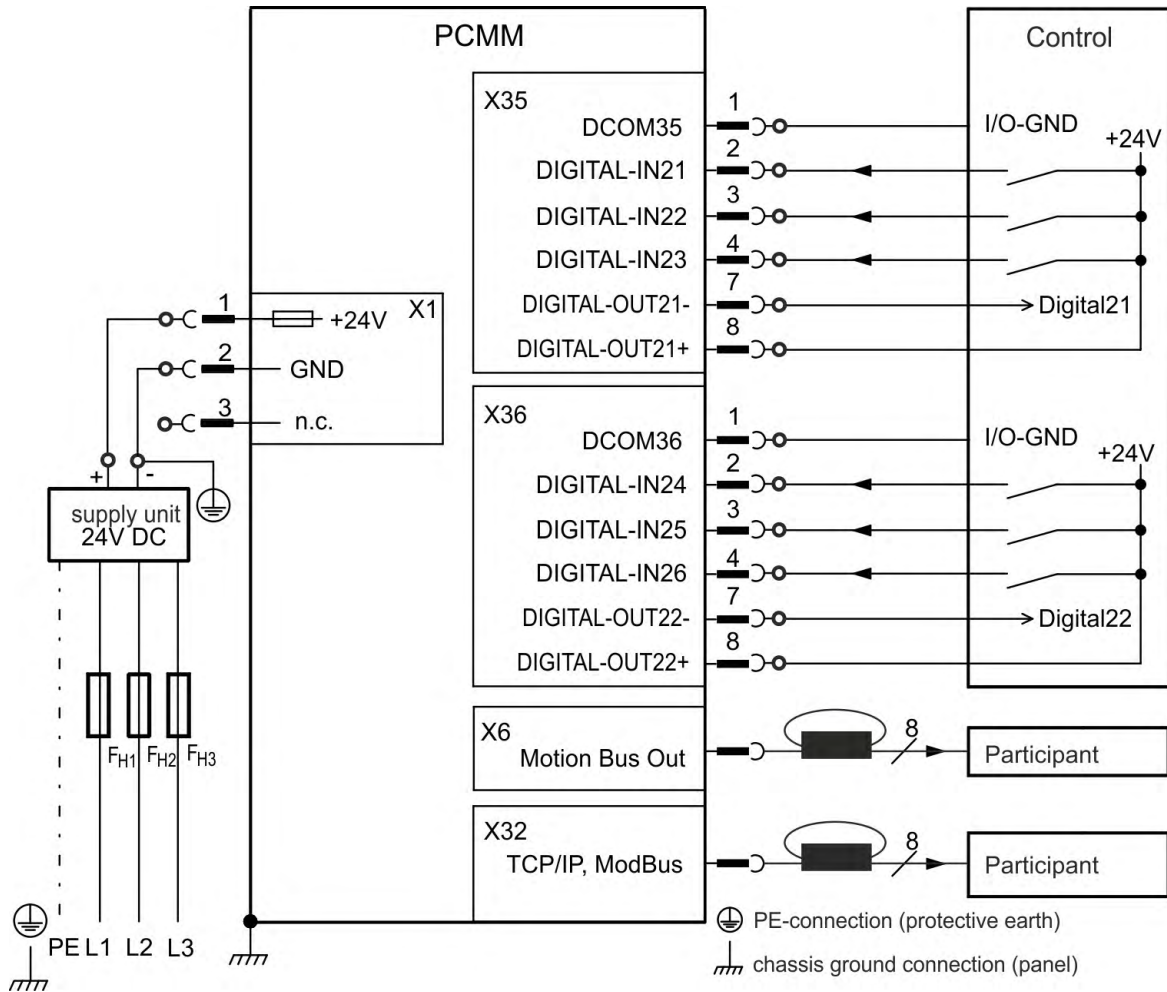
Connector	Type	Max. Cross Section ¹	Current ²	Voltage ³
24 VDC X1	Terminal Connector, 3 poles	1.5 mm ² , 16 awg	8 A	160 V
Motion Bus X6	RJ45	0,5 mm ² , 21 awg	1 A	<100 V
Service Port X32	RJ45	0,5 mm ² , 21 awg	1 A	<100 V
Control signals X35/X36	Terminal Connector, 8 poles	1.5 mm ² , 16 awg	10 A	250 V

¹single-line connection

²single-line connection with recommended conductor cross section

³rated voltage with pollution level 2 (lowest values allowed by UL840 and IEC60664)

8.2.2 Connection overview

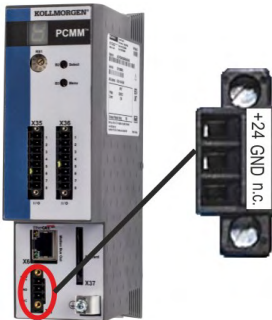
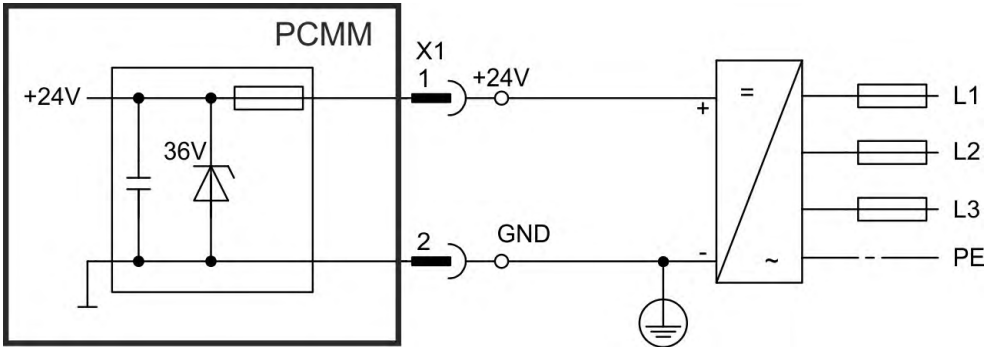


X6 EtherCAT – 1 turn on Fair-Rite p/n 0475164181 or equivalent
 X32 TCP/IP – 1 turn on Fair-Rite p/n 0475164181 or equivalent



8.2.3 Power supply 24 V (X1)

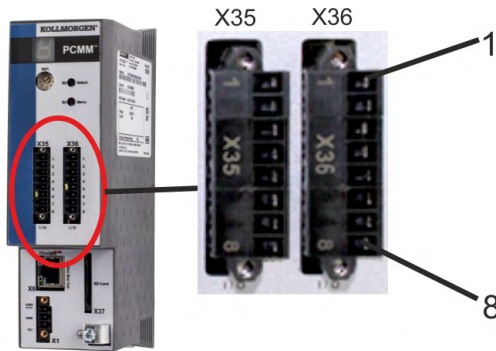
Limited Power Source (LPS) / Safety Extra Low Voltage (SELV) mains input.



Pin	Signal	Description
1	+24	+24 VDC supply voltage (LPS/SELV)
2	GND	24V supply GND
3	n.c.	not used

8.2.4 I/O Connection

8.2.4.1 I/O connectors X35 and X36



Conn.	Pin	Signal	Abbreviation	Function	Wiring Diagram
X35	1	Digital Common X35	DCOM35	Common line for X35 pins 2, 3, 4	(→ # 135)
X35	2	Digital Input 21	DIGITAL-IN 21	Programmable	
X35	3	Digital Input 22	DIGITAL-IN 22	Programmable	
X35	4	Digital Input 23	DIGITAL-IN 23	Programmable	
X35	5	n.c.	n.c.	-	-
X35	6	n.c.	n.c.	-	-
X35	7	Digital Output 21-	DIGITAL-OUT21-	Programmable	(→ # 136)
X35	8	Digital Output 21+	DIGITAL-OUT21+	Programmable	
X36	1	Digital Common X36	DCOM36	Common line for X36 pins 2, 3, 4	(→ # 135)
X36	2	Digital Input 24	DIGITAL-IN 24	Programmable	
X36	3	Digital Input 25	DIGITAL-IN 25	Programmable	
X36	4	Digital Input 26	DIGITAL-IN 26	Programmable	
X36	5	n.c.	n.c.	-	-
X36	6	n.c.	n.c.	-	-
X36	7	Digital Output 22-	DIGITAL-OUT22-	Programmable	(→ # 136)
X36	8	Digital Output 22+	DIGITAL-OUT22+	Programmable	

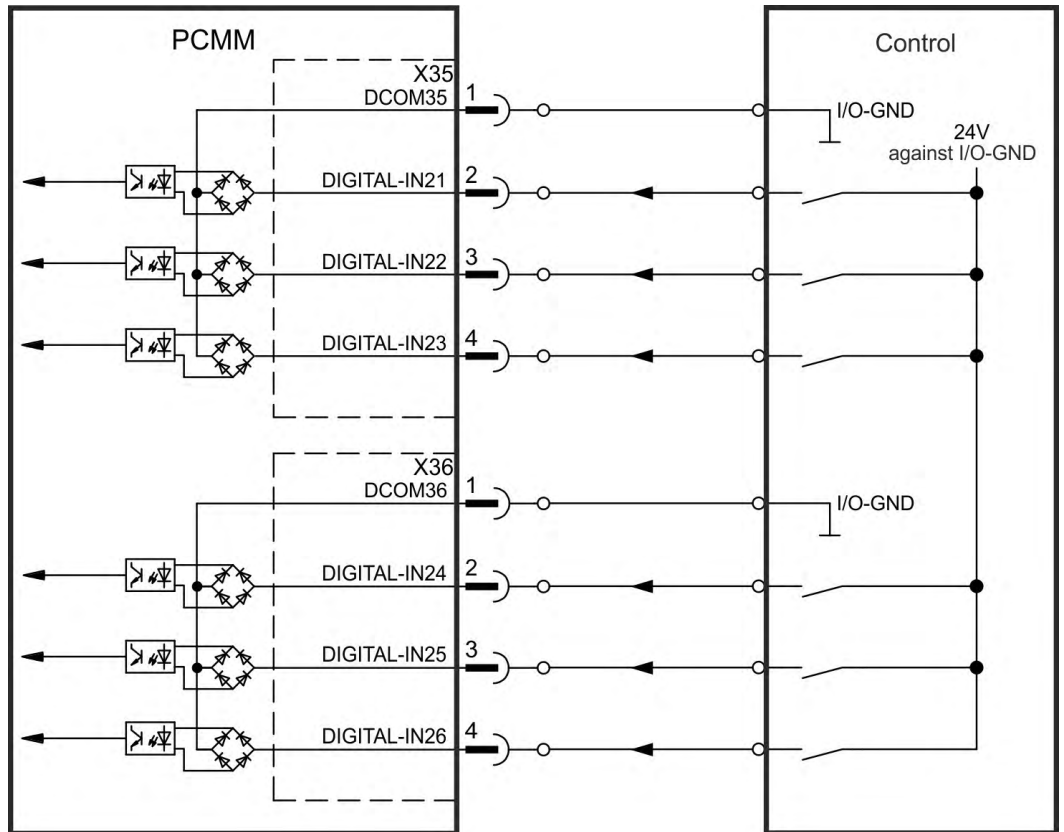
Digital common lines for X35 and X36 are not common to each other.

The DCOMx line should be connected to the 0V of the I/O supply when using sensors of type "Source" with digital inputs.

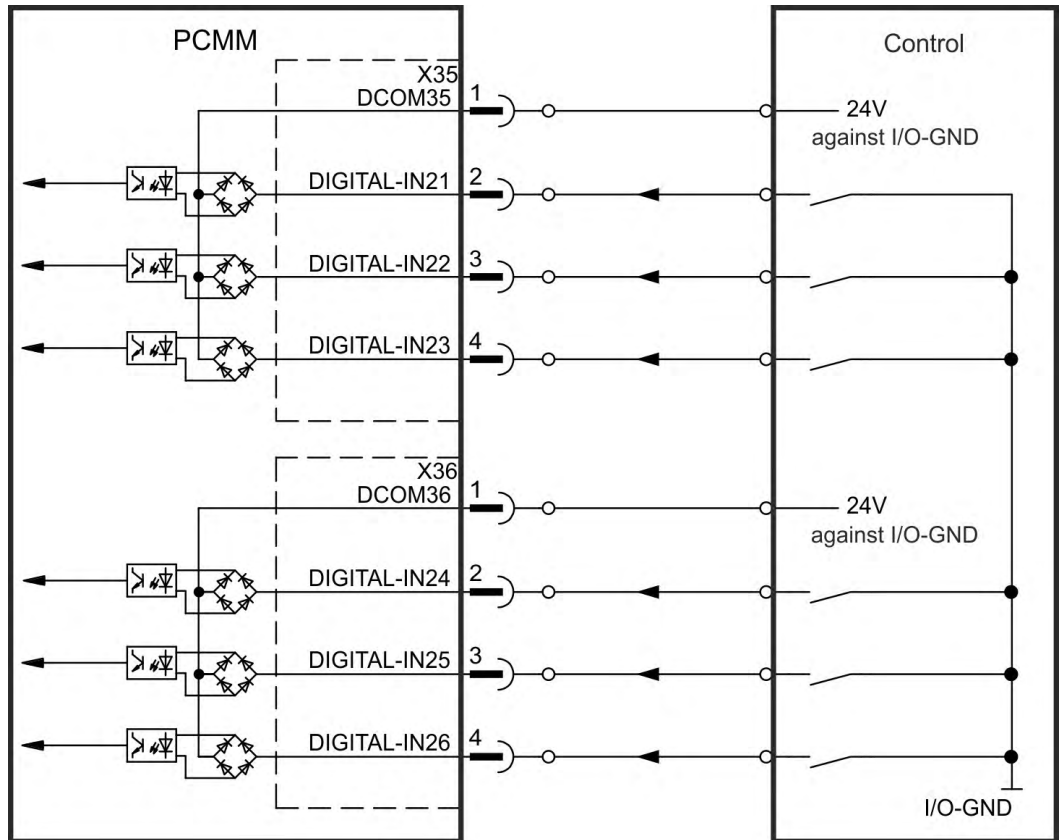
The DCOMx line should be connected to the 24V of the I/O supply when using sensors of type "Sink" with digital inputs.

8.2.4.2 Digital Inputs

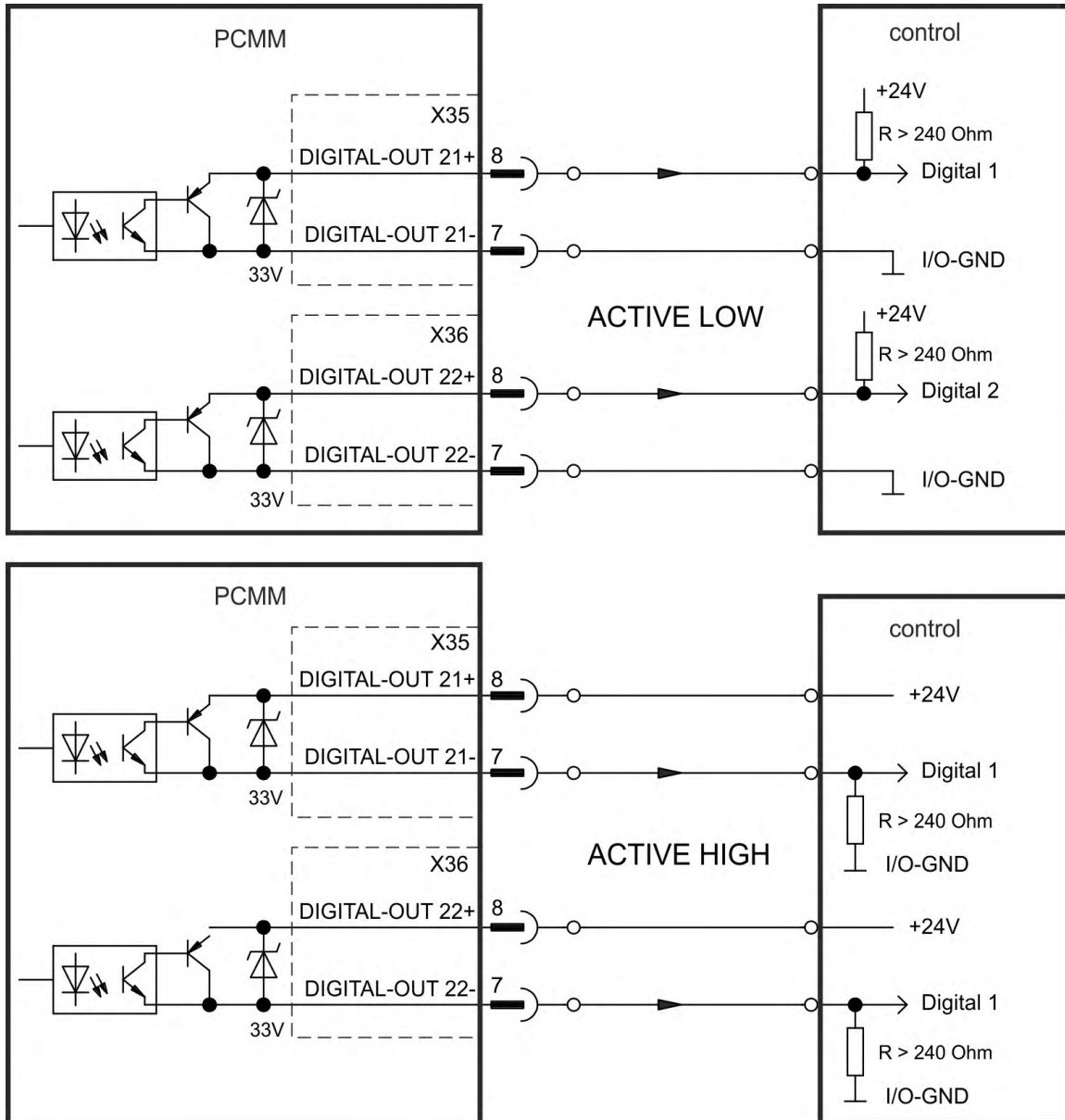
Digital Input Wiring Diagram (Source type connection, example)



Digital Input Wiring Diagram (Sink type connection, example)



8.2.4.3 Digital Outputs



8.3 Error and alarm messages

When an error or alarm occurs, it is displayed to the one digit display.



You can identify the error in the table below. Active errors and alarms can be cleared with the controller command *ClearCtrlErrors*, non-clearable errors will remain.

NOTE

More information about error and alarm messages, causes, remedy and clearing errors can be found in the KAS online help.

Alarm	Description
A01	High temperature exceeded
A02	Low on memory.
A04	Low input voltage
A12	Flash memory is low on free space.
A21	Recoverable process or thread failed to respond during operation.
A23	CPU is overloaded
A30	EtherCAT missed a send frame during operation mode.
A38	EtherCAT missed a receive frame during operation mode.
A40	Local digital IO missed a cyclic update
A53	AKC-PCM-MC was replaced with the higher performance M1 model.

Error	Description
E01	Critical temperature exceeded, PCMM operation is stopped, CPU will be stopped.
E02	Out of memory. KAS runtime is stopping.
E03	Fan failure.
E10	Firmware is corrupted.
E11	Flash is corrupted, no filesystem is available.
E12	Not enough flash memory available.
E13	Out of NVRAM space for retained variables.
E14	Reset to Factory Defaults failed.
E15	Cannot read/write files from/to a SD card.
E16	Not enough space available on the SD card.
E20	Runtime plug-in, process, thread or application failed to start.
E21	Runtime plug-in, process, or thread failed to respond during operation.
E22	Fatal error in PLC program, application stopped.
E23	CPU is overloaded.
E24	PLC application cannot be started
E30	EtherCAT communication failure during operational mode.
E31	EtherCAT communication failure during preop mode.
E32	EtherCAT communication failure during bootstrap mode.
E33	EtherCAT failed to initialize into operational mode.
E34	EtherCAT failed to initialize into preop mode.
E35	EtherCAT failed to initialize into bootstrap mode.
E36	EtherCAT failed to discover the expected devices.
E37	EtherCAT failed to return to init state.
E50	Backup to SD card failed.
E51	Restore from SD card failed.
E52	SD Backup files are missing or corrupt.
E53	SD Backup files are not compatible.

8.4 Approvals

8.4.1 Conformance with UL/cUL

This product is listed under UL (Underwriters Laboratories Inc.) file number E244217.

UL Markings / Marquages UL

English	Français
<ul style="list-style-type: none"> • Identification of the terminals on the controller are coded so they may be identified in the instructions. 	<ul style="list-style-type: none"> • Les bornes de l'unité de contrôle sont codées pour faciliter leur identification dans les instructions.
<ul style="list-style-type: none"> • These devices are intended to be used in a pollution degree 2 environment. 	<ul style="list-style-type: none"> • Ces appareils sont prévus pour une utilisation dans un environnement de pollution de niveau 2.
<ul style="list-style-type: none"> • Maximum ambient air temperature of 55°C. 	<ul style="list-style-type: none"> • La température de l'air ambiant doit être de 55 °C maximum.

8.4.2 Conformance with CE

NOTE

CE Declarations of Conformity can be found on the Kollmorgen website.

The PCMM has been tested by an authorized testing laboratory in a defined configuration, using the system components that are described in this documentation. Any divergence from the configuration and installation described in this documentation means that the user will be responsible for carrying out new measurements to ensure conformance with regulatory requirements.

Fair-Rite Material 75* EMI suppression was used to meet the 61800-3 requirements for conducted emissions for Ethernet connections to a public network.

For connection X32 TCP/IP – 1 turn on Fair-Rite p/n 0475164181 or equivalent

For X6 EtherCAT connection – 1 turn on Fair-Rite p/n 0475164181 or equivalent



NOTICE

These devices can cause high-frequency interferences in non industrial environments and may require measures for interference suppression (such as additional external EMC filters).

Kollmorgen declares the conformity of the product series PCMM with the following directives:

- **EC Directive 2014/30/EC, electromagnetic compatibility**
Used harmonized standard EN 61800-3:2004 / A1: 2012.

8.4.3 Conformance with REACH

EU Regulation no. 1907/2006 deals with the registration, evaluation, authorization and restriction of chemical substances 1 (abbreviated to "REACH").

PCMM does not contain any substances (CMR substances, PBT substances, vPvB substances and similar hazardous substances stipulated in individual cases based on scientific criteria) above 0.1 mass percent per product that are included on the candidate list.

8.4.4 Conformance with RoHS

Directive 2011/65/EC of the European Union on the restriction of the use of certain hazardous substances in electrical and electronic equipment (RoHS) became operative as from the 3rd of January, 2013. Following substances namely are involved

Lead (Pb), Cadmium (Cd), Hexavalent chromium (CrVI), Polybrominated biphenyls (PBB), Polybrominated diphenyl ethers (PBDE), Mercury (Hg)

The PCMM is manufactured in conformance with RoHS.

About KOLLMORGEN

Kollmorgen is a leading provider of motion systems and components for machine builders. Through world-class knowledge in motion, industry-leading quality and deep expertise in linking and integrating standard and custom products, Kollmorgen delivers breakthrough solutions that are unmatched in performance, reliability and ease-of-use, giving machine builders an irrefutable marketplace advantage.



Join the [Kollmorgen Developer Network](#) for product support. Ask the community questions, search the knowledge base for answers, get downloads, and suggest improvements.

North America

KOLLMORGEN

201 West Rock Road
Radford, VA 24141, USA

Web: www.kollmorgen.com
Mail: support@kollmorgen.com
Tel.: +1 - 540 - 633 - 3545
Fax: +1 - 540 - 639 - 4162

Europa

KOLLMORGEN Europe GmbH

Pempelfurtstr. 1
40880 Ratingen, Germany

Web: www.kollmorgen.com
Mail: technik@kollmorgen.com
Tel.: +49 - 2102 - 9394 - 0
Fax: +49 - 2102 - 9394 - 3155

South America

KOLLMORGEN

Avenida Tamboré - 1077 Tamboré
Barueri - SP Brasil
CEP: 06460-000, Brazil

Web: www.kollmorgen.com
Tel.: +55 11 4191-4771

China and SEA

KOLLMORGEN

Floor 4, Building 9, No. 518,
North Fuquan Road, Changning District,
Shanghai 200335, China

Web: www.kollmorgen.cn
Mail: sales.china@kollmorgen.com
Tel.: +86 - 400 661 2802

KOLLMORGEN[®]

Because Motion Matters™