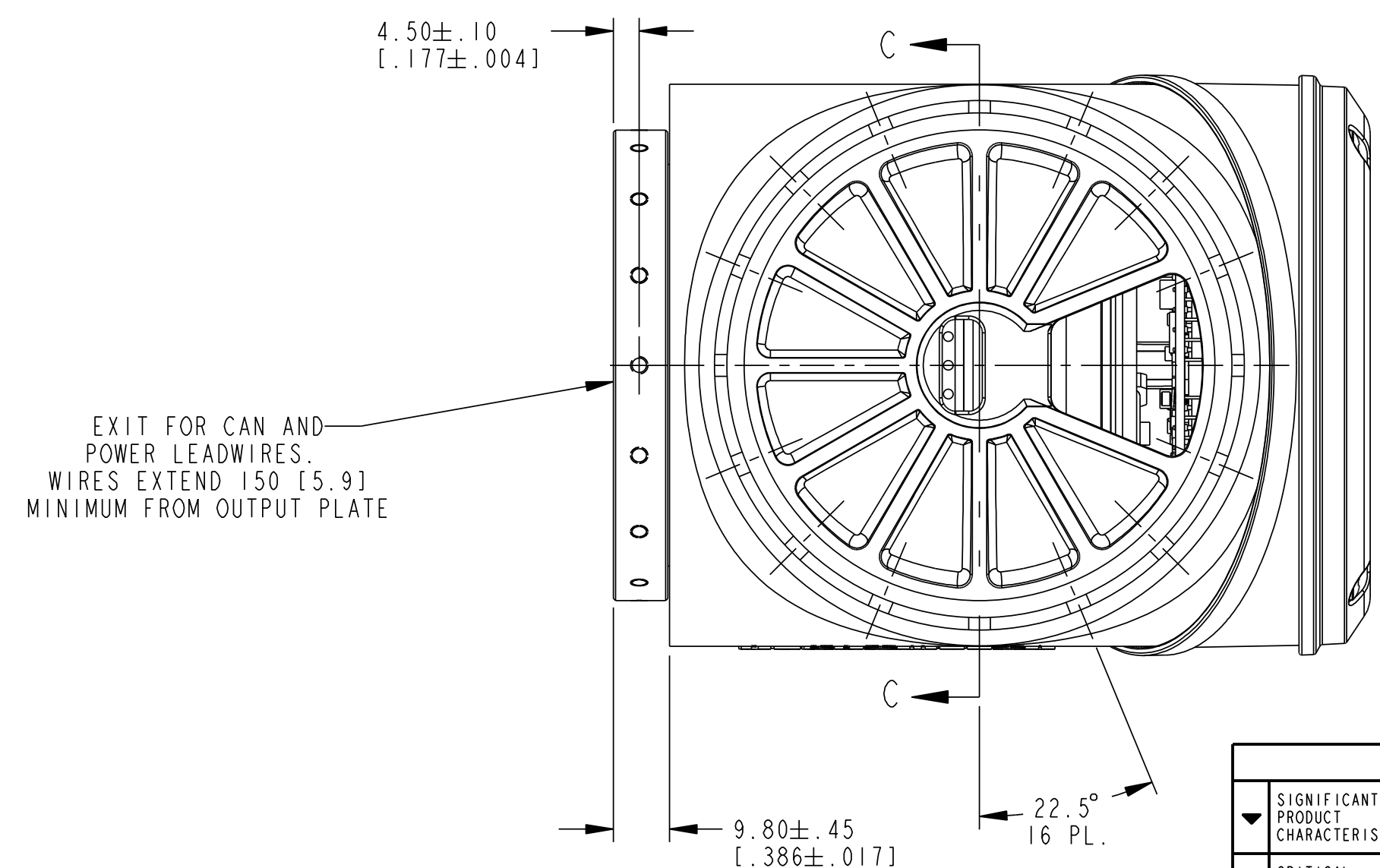
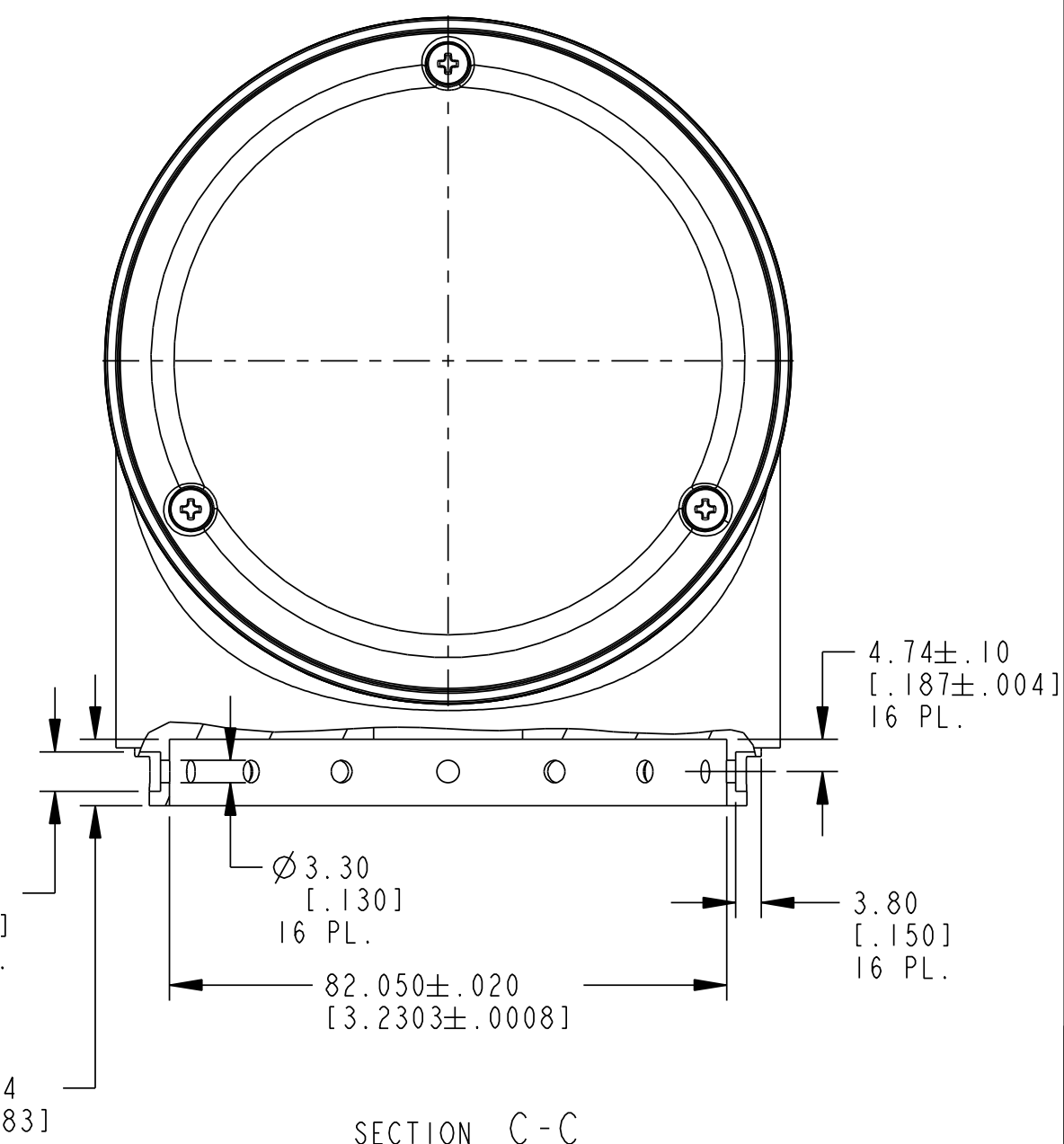
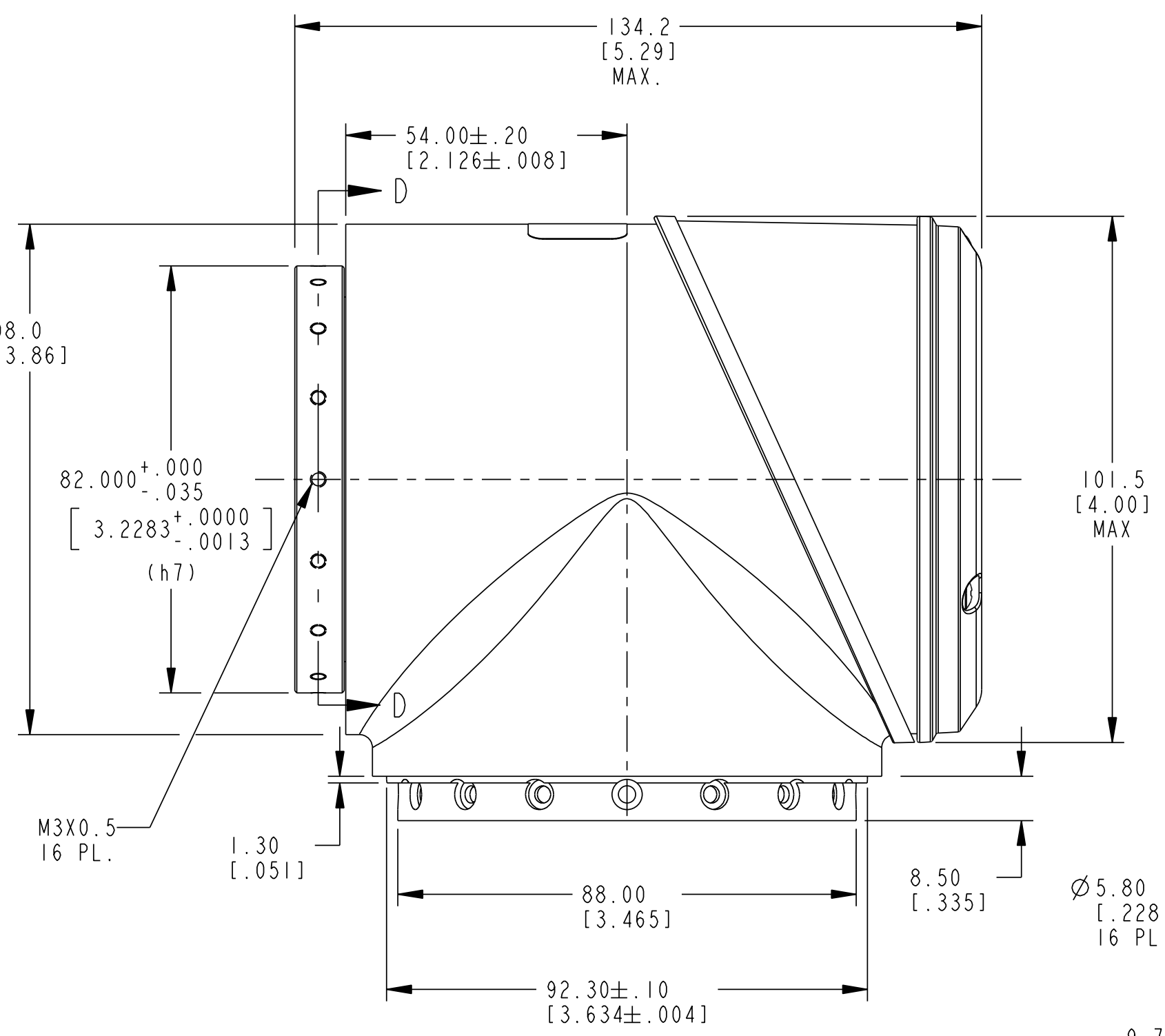
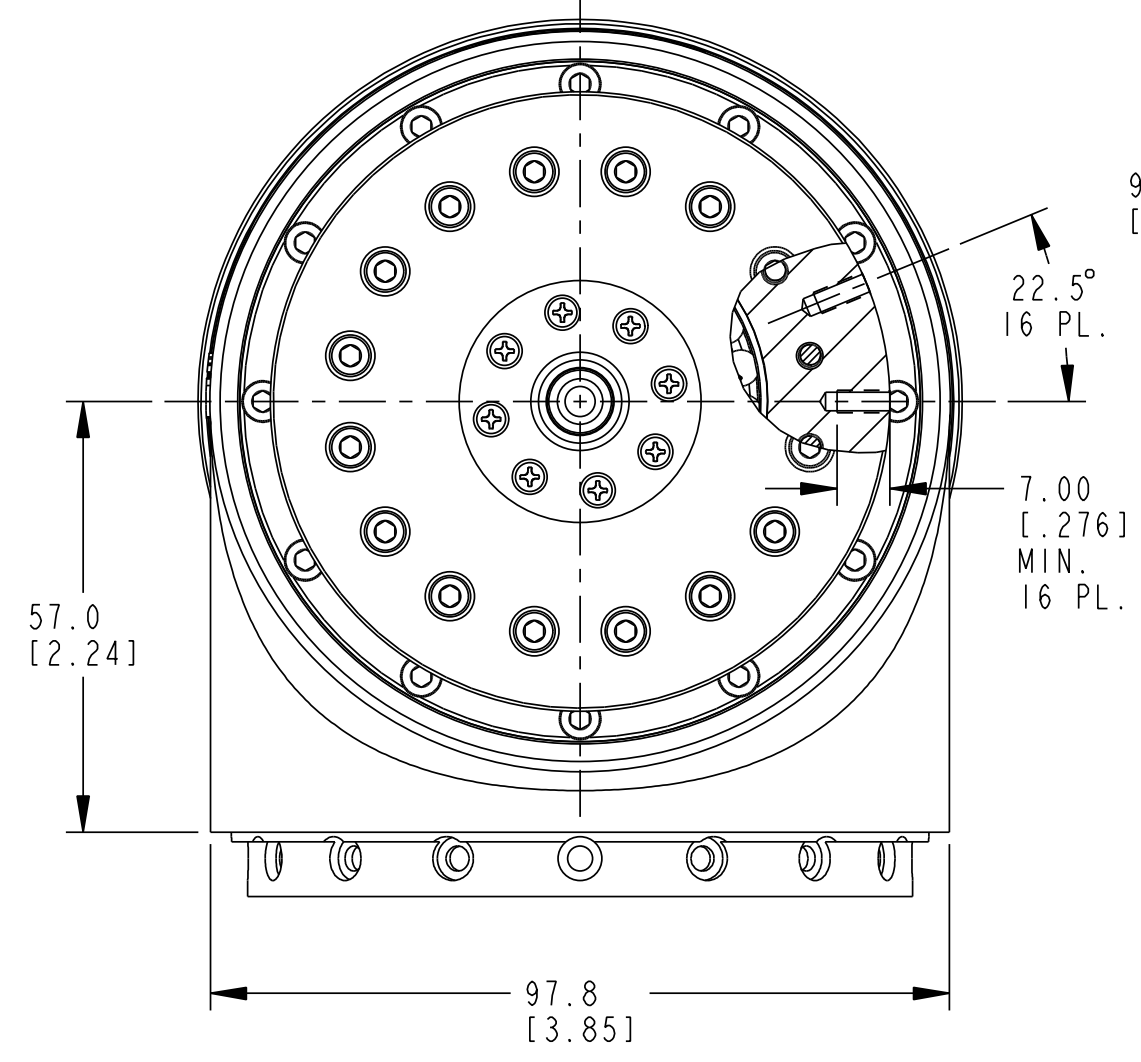
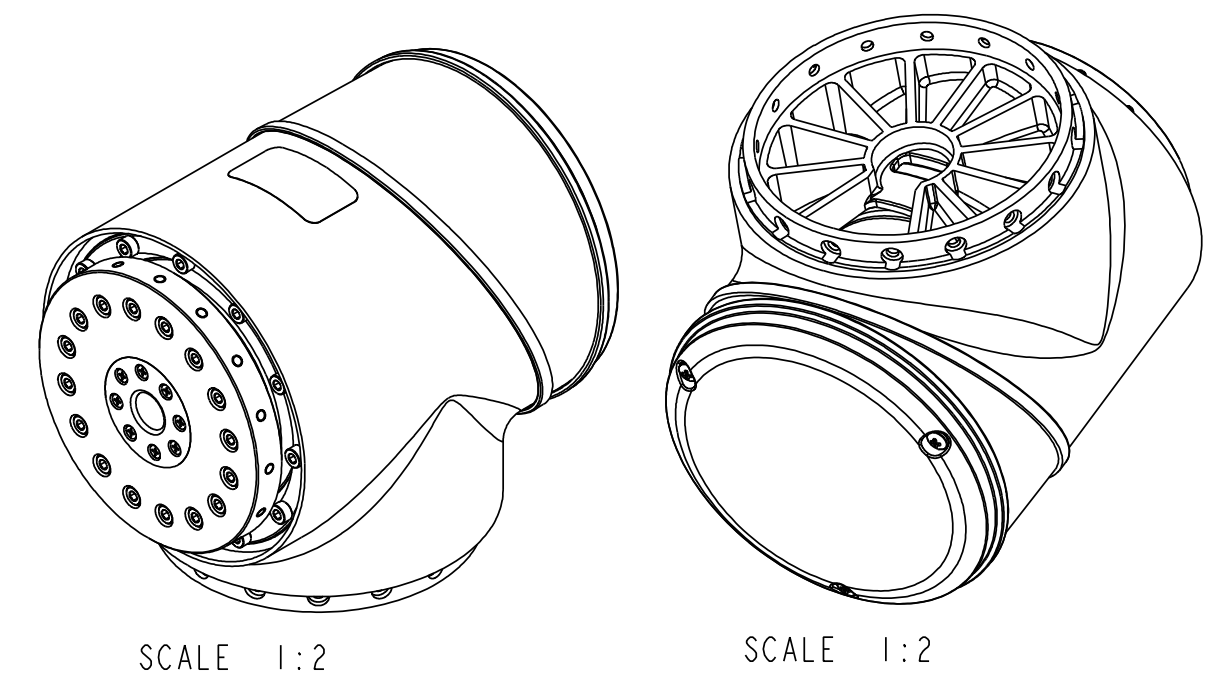


- NOTES:
1. SIZE 20 PITCH HARMONIC GEAR WITH 101:1 RATIO
 2. THE FOLLOWING PARTS (SOLD AS SEPARATE KIT) ARE REQUIRED FOR CONNECTION TO ANOTHER JOINT OF THE SAME SIZE TO ENSURE IP RATING:
 - (1) PLASTIC SEAL RING
 - (1) RUBBER SEAL BAND
 - (8) M3X0.5 X 8MM LONG SOCKET HEAD CAP SCREWS
 3. TORQUE M3 SCREWS IN OUTPUT PLATE TO 1.8Nm [16 IN-LB] AND USE REMOVABLE THREADLOCKER ON SCREWS.
 4. CAN CONNECTOR: TE CONNECTIVITY 5-292271-2
 5. POWER FERRULES: PHOENIX 3201592
 6. SEE RGM USER MANUAL FOR ELECTRICAL CONNECTIONS.

REVISION HISTORY					
REV	ECO NUMBER	DESCRIPTION		DATE	APP'D
A	R03-98790	CORRECTED NOTE	SEE ECO	05/10/18	BW
B	R03-98832	CORRECTED NOTES	SEE ECO	05/23/18	BW
C	R03-99598	SEE ECO		04/15/19	BW
D	R03-99639	CORRECTED CONNECTORS	SEE ECO	04/17/19	BW



EXIT FOR CAN AND POWER LEADWIRES. WIRES EXTEND 150 [5.9] MINIMUM FROM OUTPUT PLATE



This drawing contains PROPRIETARY information and is the property of KOLLMORGEN. This drawing may not be copied or used without prior written approval of KOLLMORGEN	
INTERPRET GEOMETRIC SYMBOLS PER ASME Y14.5M-1994	
Pro/E Model File Rev	PO
Pro/E Instance Name	RGM20_MAIN_CAN
Pro/E Drawing Name	969766
Pro/E Model Type	ASSEM
Pro/Engineer Drawing	

SIGNIFICANT PRODUCT CHARACTERISTIC		UNLESS OTHERWISE SPECIFIED: DIMENSIONS APPLY BEFORE COATINGS REMOVE ALL SHARP BURRS AND BREAK ALL SHARP EDGES		KOLLMORGEN		Design Control Location: 201 West Rock Road Radford, Virginia 24141 United States of America	
CRITICAL PRODUCT CHARACTERISTIC		MILLIMETER VALUES: ANGULAR TOLERANCE: ±1° X DEC. PLACE: ±.4mm XX DEC. PLACE: ±.13mm	[INCH] VALUES: ANGULAR TOLERANCE: ±1° XX DEC. PLACE: ±.015" XXX DEC. PLACE: ±.005"		OUTLINE - C RGM20 (CANOPEN)		
THIRD ANGLE PROJECTION		DO NOT SCALE DRAWING USE DIMENSIONS ONLY ALL DIMENSIONS ARE MM [INCH] INCH DIMENSIONS IN BRACKETS [] ARE FOR REFERENCE ONLY		DRAWN BY: BW	DATE: Nov-21-17	SIZE: C	CAGE CODE: -
		CHECKED BY: SD	DATE: May-03-18	APPROVED BY: BW	DATE: May-03-18	DWG. NO. 969766	REV D
				SCALE: 1:1		SHEET 1 OF 1	