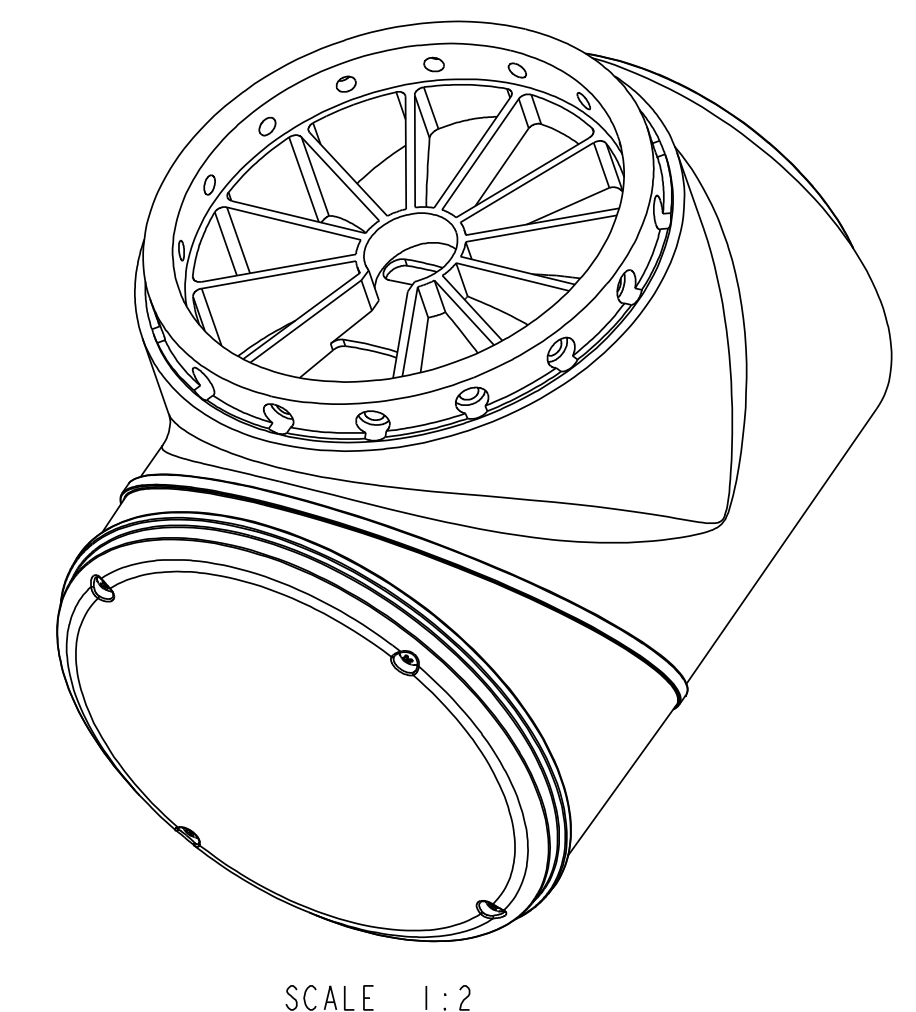
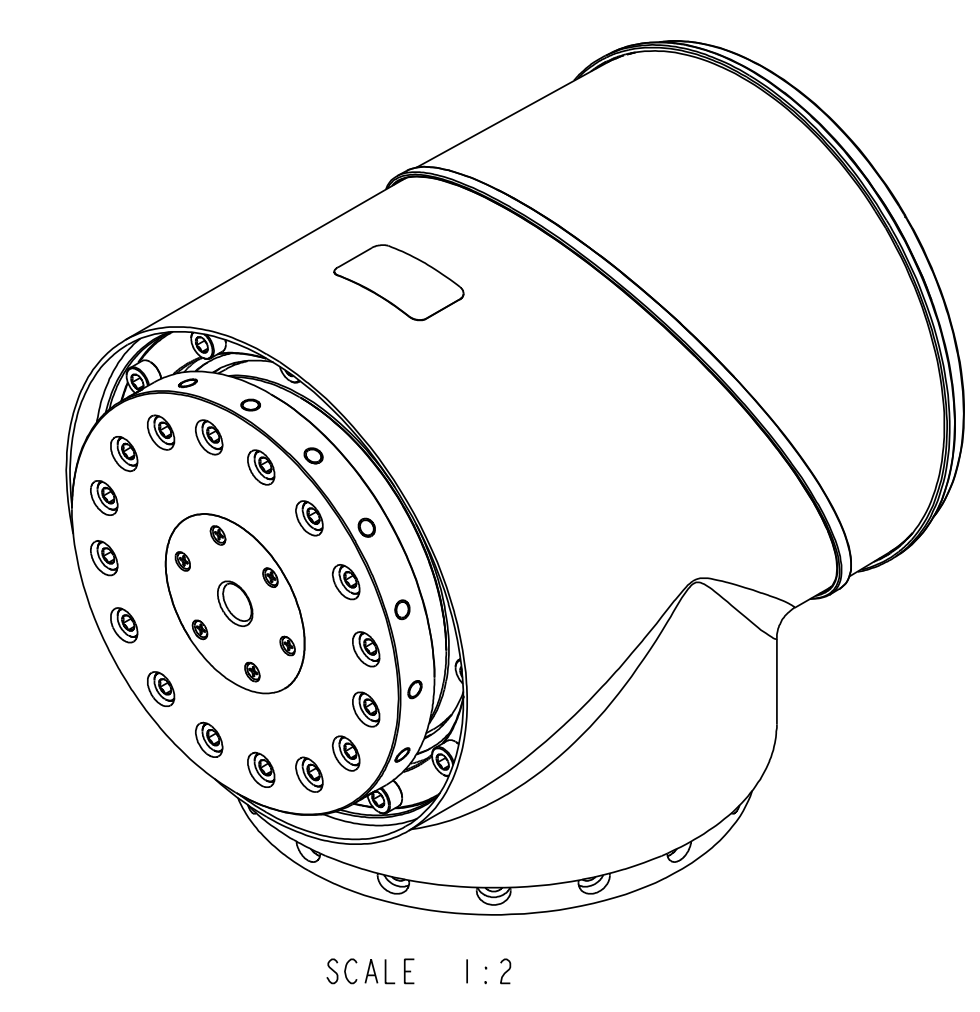
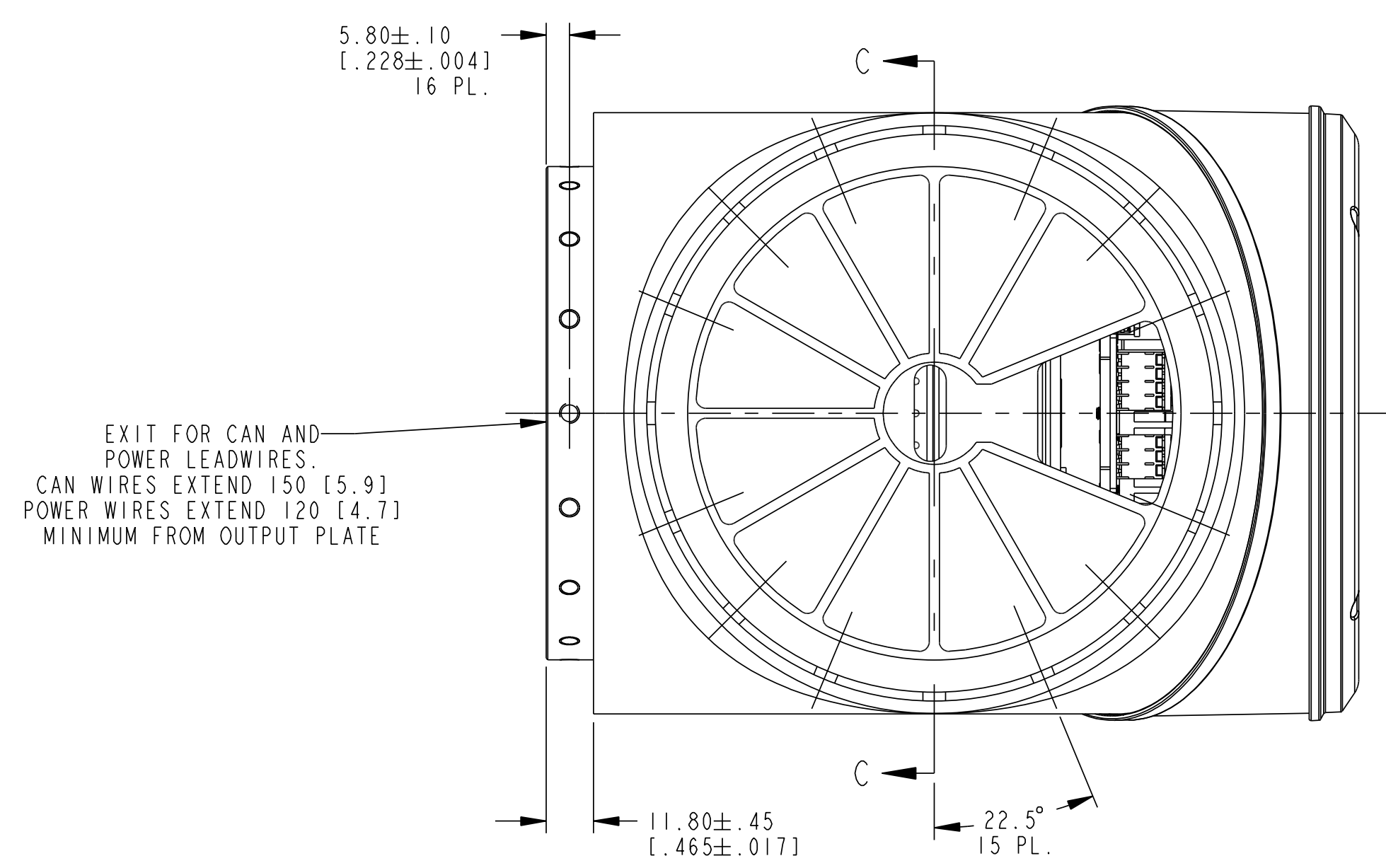
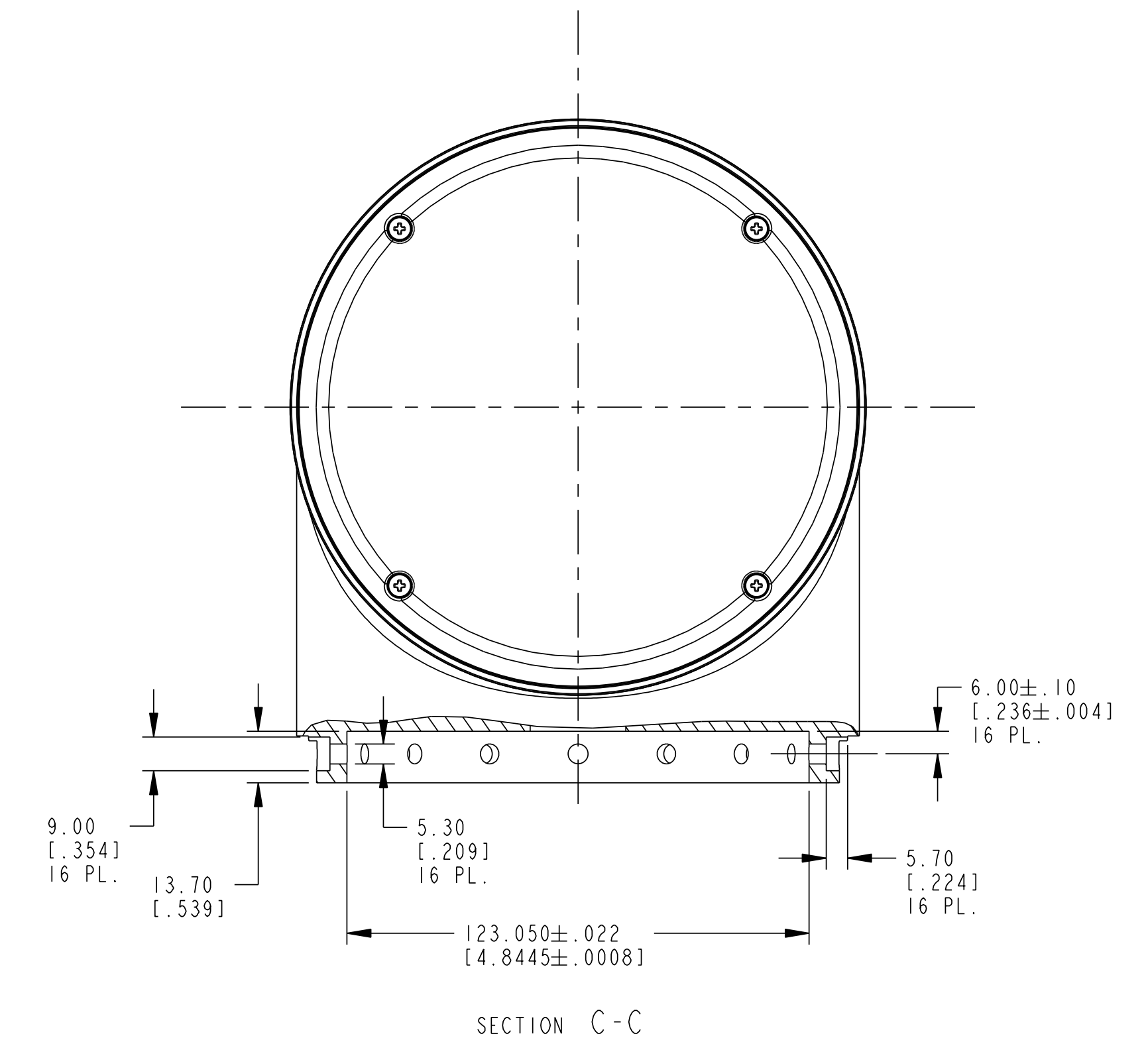
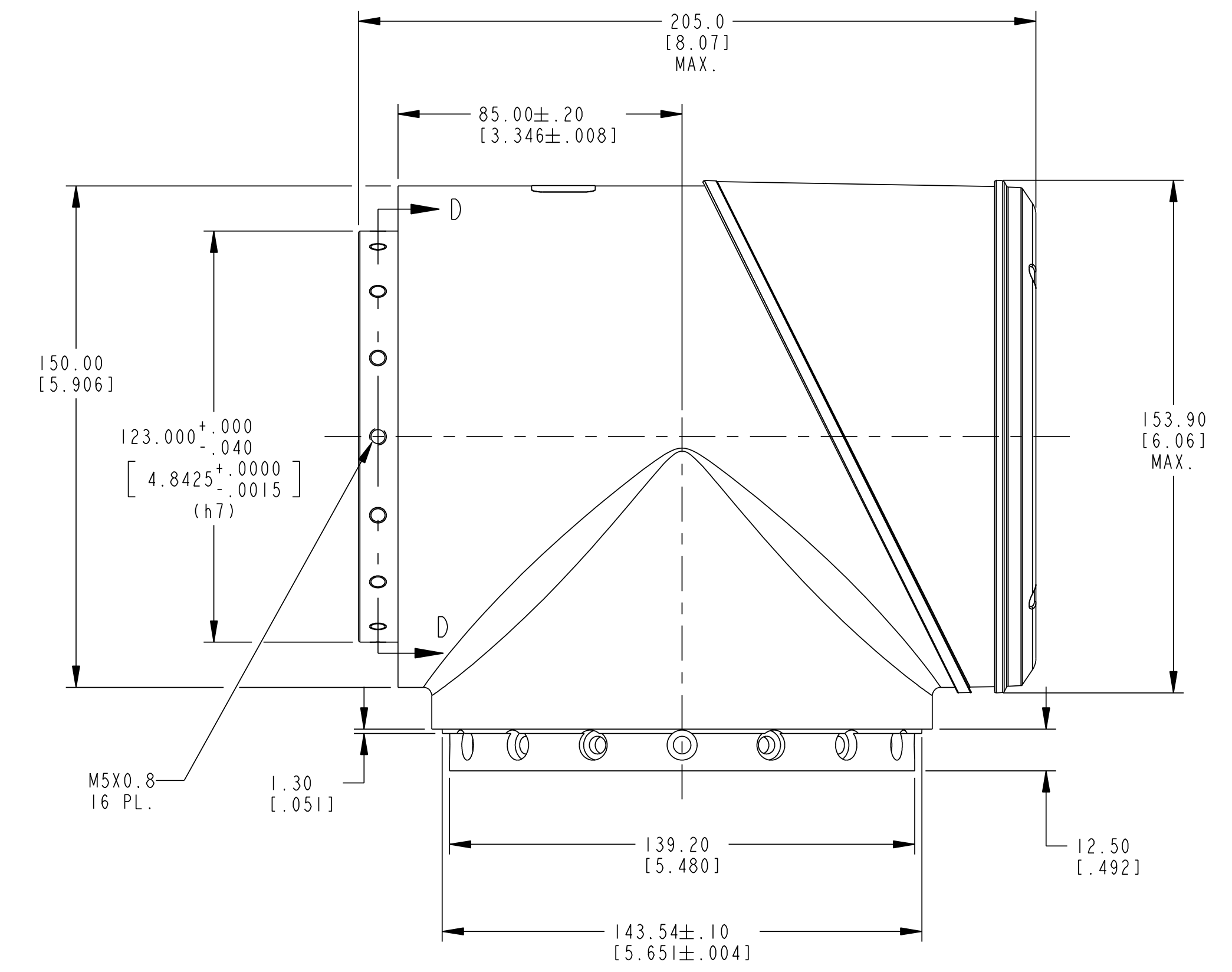
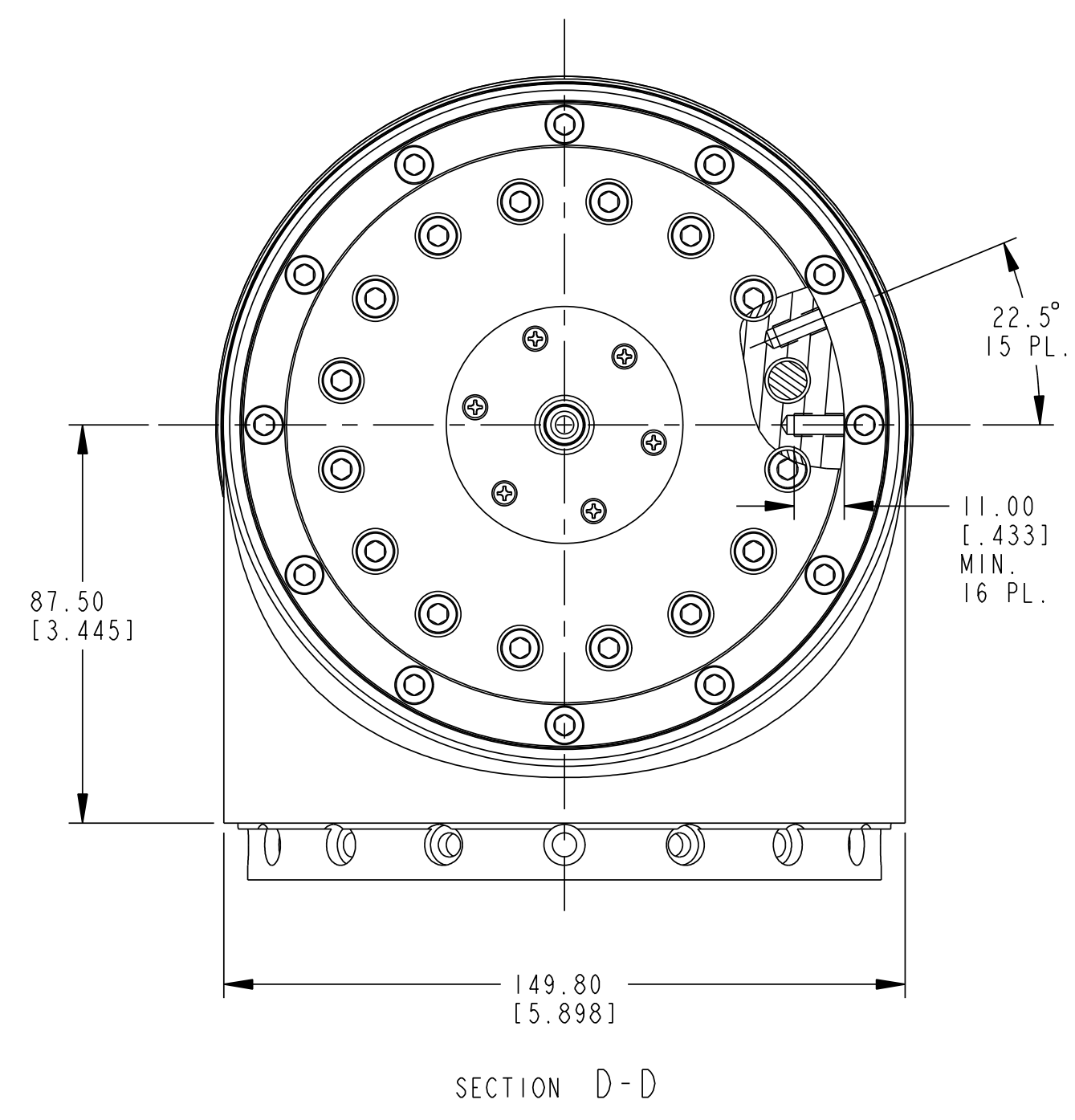


REV	ECO NUMBER	DESCRIPTION	DATE	APP'D
A	R03_99639	SEE ECO	04/15/19	BW

- NOTES:
1. SIZE 32 PITCH HARMONIC GEAR WITH 101:1 RATIO
  2. THE FOLLOWING PARTS (SOLD AS SEPARATE KIT) ARE REQUIRED FOR CONNECTION TO ANOTHER JOINT OF THE SAME SIZE IN ORDER TO ENSURE IP RATING:  
 (1) PLASTIC SEAL RING  
 (1) RUBBER SEAL BAND  
 (16) M5X0.8 X 14MM LONG SOCKET HEAD CAP SCREWS
  3. TORQUE M5 SCREWS IN OUTPUT PLATE TO 8.5Nm [75 IN-LB] AND USE REMOVABLE THREADLOCKER ON SCREWS.
  4. CAN CONNECTOR: TE CONNECTIVITY 5-292271-2
  5. POWER FERRULES: PHOENIX 3201592
  6. SEE RGM USER MANUAL FOR ELECTRICAL CONNECTIONS.



This drawing contains PROPRIETARY information and is the property of KOLLMORGEN. This drawing may not be copied or used without prior written approval of KOLLMORGEN.	
INTERPRET GEOMETRIC SYMBOLS PER ASME Y14.5M-1994	
Pro/E Model File Rev	PO
Pro/E Instance Name	RGM32_MAIN_CAN
Pro/E Drawing Name	970805
Pro/E Model Type	ASSEM
Pro/Engineer Drawing	

SIGNIFICANT PRODUCT CHARACTERISTIC	UNLESS OTHERWISE SPECIFIED: REMOVE ALL SHARP BURRS AND BREAK ALL SHARP EDGES	<b>KOLLMORGEN</b> <small>Design Control Location:                  201 West Rock Road                  Radford, Virginia 24141                  United States of America</small>
	MILLIMETER VALUES: ANGULAR TOLERANCE: ±1° X DEC. PLACE: ±.4mm XX DEC. PLACE: ±.13mm	
CRITICAL PRODUCT CHARACTERISTIC	INCH VALUES: ANGULAR TOLERANCE: ±1° XX DEC. PLACE: ±.015° XXX DEC. PLACE: ±.005°	OUTLINE - C RGM32 (CANOPEN)
	DO NOT SCALE DRAWING USE DIMENSIONS ONLY ALL DIMENSIONS ARE MM (INCH) INCH DIMENSIONS IN BRACKETS ( ) ARE FOR REFERENCE ONLY	
THIRD ANGLE PROJECTION	DRAWN BY: BW CHECKED BY: BW APPROVED BY: BW	DATE: Aug-17-18 DATE: Aug-24-18 DATE: Aug-24-18
SIZE: D CAGE CODE: - SCALE: 3:4		DWG. NO. 970805 REV A SHEET 1 OF 1