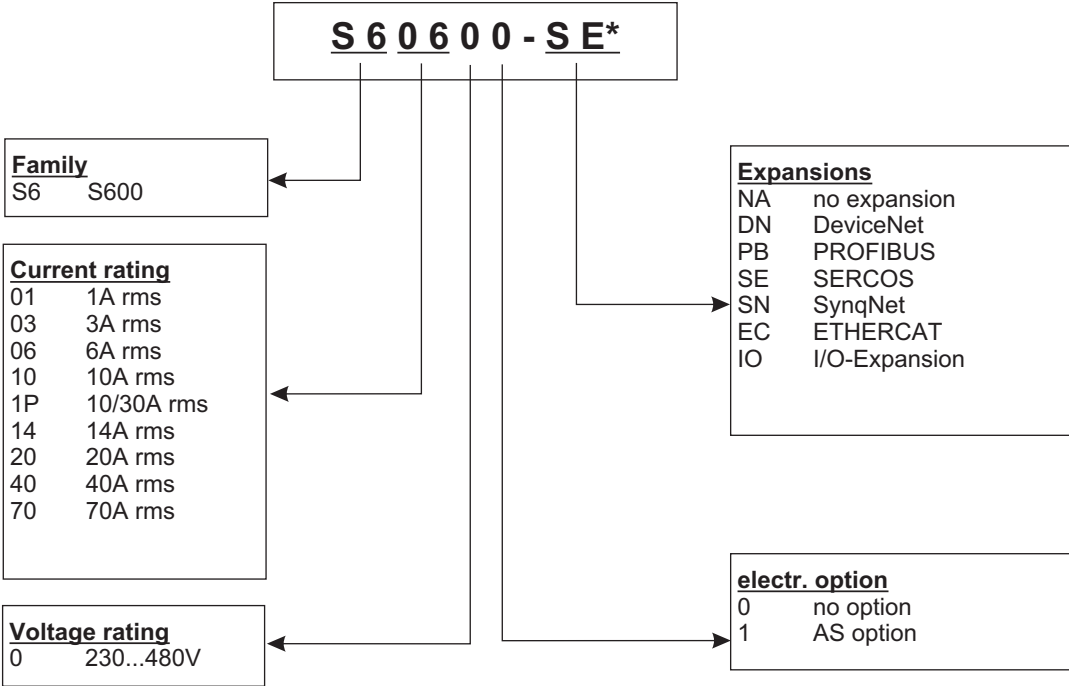


Part number scheme S600

Use for product identification only, not for the order process.



* additional coding defines customer specific specials.